



US00D937596S

(12) **United States Design Patent** (10) **Patent No.:** **US D937,596 S**  
**Kong** (45) **Date of Patent:** **\*\* Dec. 7, 2021**

(54) **CHAIR**  
(71) Applicant: **GoPlus Corp.**, Fontana, CA (US)  
(72) Inventor: **Xujuan Kong**, Ningbo (CN)  
(73) Assignee: **GoPlus Corp.**, Fontana, CA (US)  
(\*\*) Term: **15 Years**  
(21) Appl. No.: **29/739,501**

D366,774 S \* 2/1996 Frnier ..... D6/370  
D399,666 S \* 10/1998 Muller ..... D6/370  
D399,667 S \* 10/1998 Muller ..... D6/370  
D457,342 S \* 5/2002 Muller ..... D6/370  
D479,774 S \* 9/2003 Wimberger ..... D6/370  
D513,369 S \* 1/2006 Cross ..... D6/370  
D557,919 S \* 12/2007 Rech ..... D6/369  
D564,247 S \* 3/2008 Chipman ..... D6/370  
D574,620 S \* 8/2008 Lowsky ..... D6/370  
D574,621 S \* 8/2008 Lowsky ..... D6/370  
D647,318 S \* 10/2011 Bogdan ..... D6/379  
D655,934 S \* 3/2012 Nigro ..... D6/376

(Continued)

(22) Filed: **Jun. 25, 2020**  
(51) **LOC (13) Cl.** ..... **06-01**  
(52) **U.S. Cl.**  
USPC ..... **D6/370**

*Primary Examiner* — Kevin K Rudzinski  
*Assistant Examiner* — Paul D Bohannon  
(74) *Attorney, Agent, or Firm* — Troutman Pepper  
Hamilton Sanders LLP

(58) **Field of Classification Search**  
USPC ..... D6/333, 334, 341, 348, 349, 350, 352,  
D6/353, 360, 364, 369, 370, 371, 373,  
D6/374, 375, 376, 377, 379, 380, 390,  
D6/677, 692, 700, 708, 708.16, 716;  
D16/237; D21/412, 419, 521  
CPC ..... A47C 1/124; A47C 3/34; A47C 4/028;  
A47C 4/02; A47C 5/12; A47C 5/125;  
A47C 7/506; A47C 9/007; A47C 13/005;  
A47C 13/023; A47C 31/113; A47C  
31/02; A47C 5/06; A47C 5/08; B60R  
2/0284; B60R 2/062; B60R 2/22; B60R  
2/001; B60R 2/24; B60R 2/28; B60R  
2/58; B60R 2/64; B60R 2/68; B60R 2/80;  
B60R 2/99; B60R 2/245; B60R 2/643;  
B60R 2/646; B60R 2/665; B60R 2/686;  
B60R 2/688; B60R 2/803; B60R 2/986;  
B60R 2/914; B60R 2/995

(57) **CLAIM**  
I claim the ornamental design for a chair, as shown and described.

**DESCRIPTION**

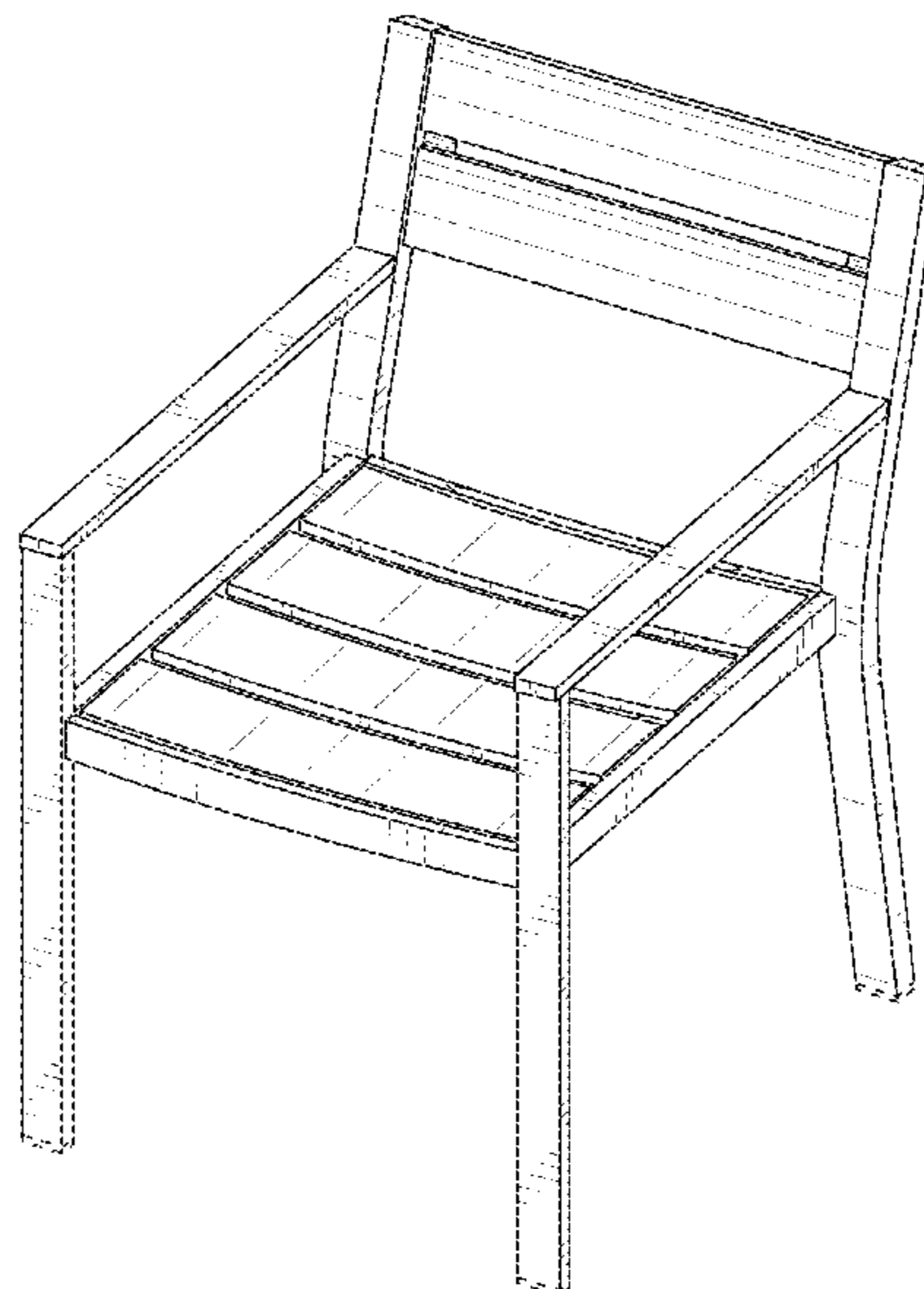
FIG. 1 is an upper perspective view of a chair;  
FIG. 2 is a lower perspective view of the design shown in FIG. 1;  
FIG. 3 is a front plan view of the design shown in FIG. 1;  
FIG. 4 is a rear plan view of the design shown in FIG. 1;  
FIG. 5 is a left side plan view of the design shown in FIG. 1;  
FIG. 6 is a right side plan view of the design shown in FIG. 1;  
FIG. 7 is a top plan view of the design shown in FIG. 1; and,  
FIG. 8 is a bottom plan view of the design shown in FIG. 1.  
The broken lines shown in the drawings are for the purpose of illustrating portions of the article and form no part of the claimed design. The shade lines shown represent surface shading and not surface ornamentation, color, or material type.

See application file for complete search history.

(56) **References Cited**  
U.S. PATENT DOCUMENTS

D309,991 S \* 8/1990 Miller ..... D6/379  
D333,925 S \* 3/1993 Ricchio, Jr. .... D6/370

**1 Claim, 8 Drawing Sheets**



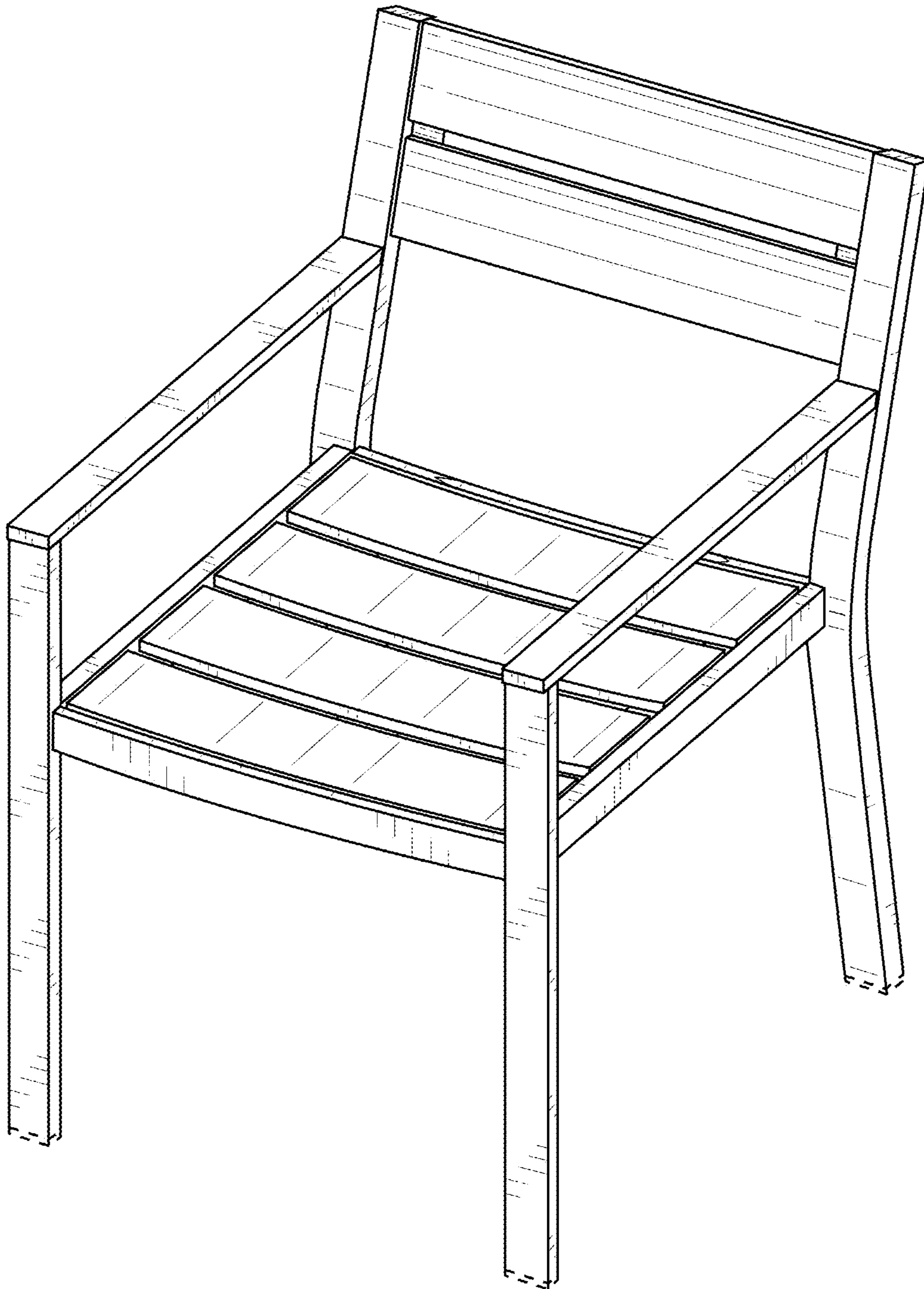
(56)

**References Cited**

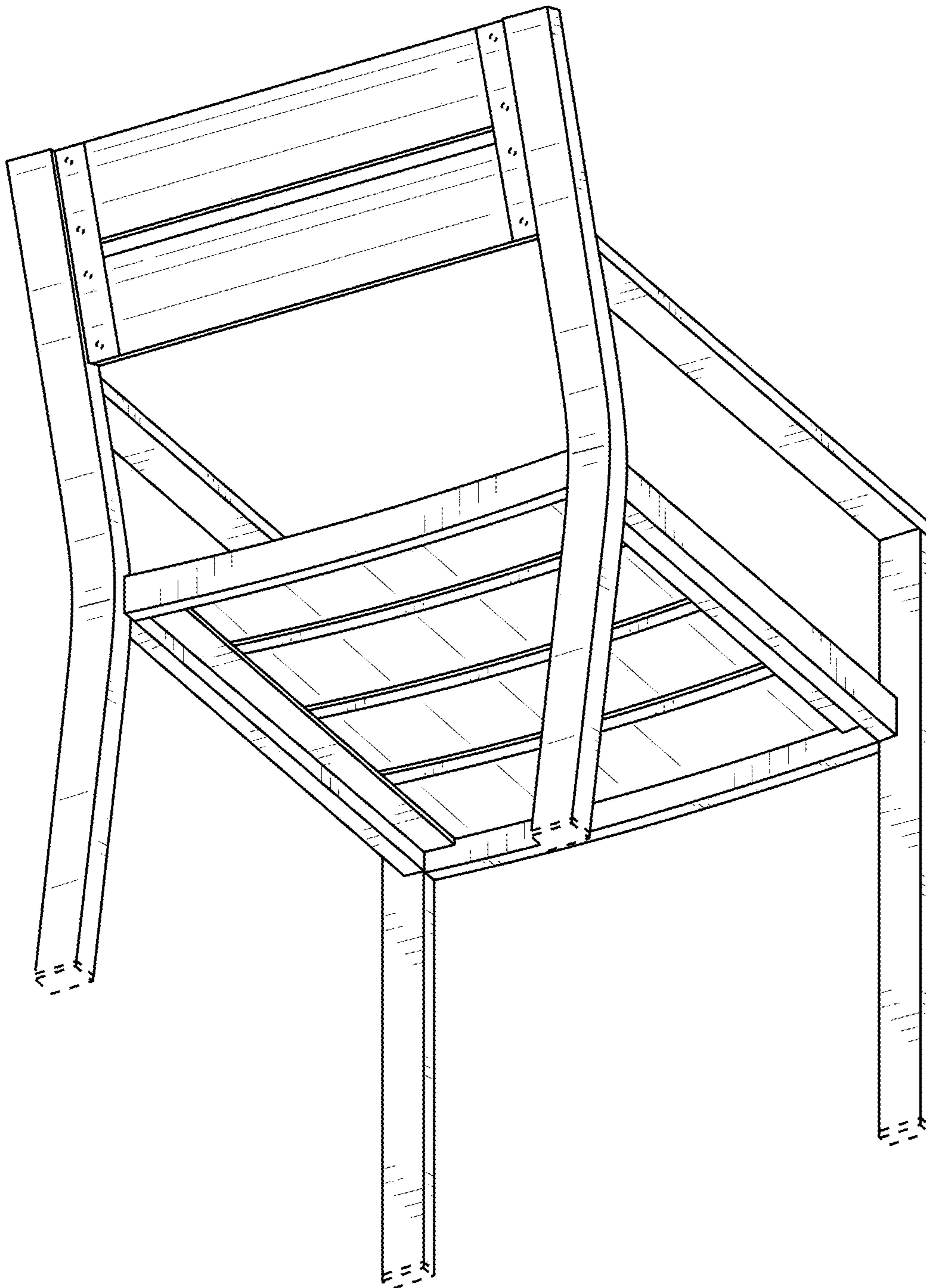
U.S. PATENT DOCUMENTS

D660,037	S	*	5/2012	Pedersen .....	D6/370
D660,038	S	*	5/2012	Hoyord .....	D6/370
D720,941	S	*	1/2015	Mila Valcarcel .....	D6/370
D740,045	S	*	10/2015	Wilkinson .....	D6/379
D752,894	S	*	4/2016	Tiet .....	D6/379
D779,224	S	*	2/2017	Duvigneau .....	D6/379
D815,850	S	*	4/2018	Saotome .....	D6/380
D863,800	S	*	10/2019	Inovero .....	D6/365
D871,098	S	*	12/2019	Giampietro .....	D6/379
D891,127	S	*	7/2020	Krusin .....	D6/334
D901,204	S	*	11/2020	Starck .....	D6/376
D913,718	S	*	3/2021	Prokofiev .....	D6/379
D917,192	S	*	4/2021	Prokofiev .....	D6/379
D920,689	S	*	6/2021	Solano .....	D6/348

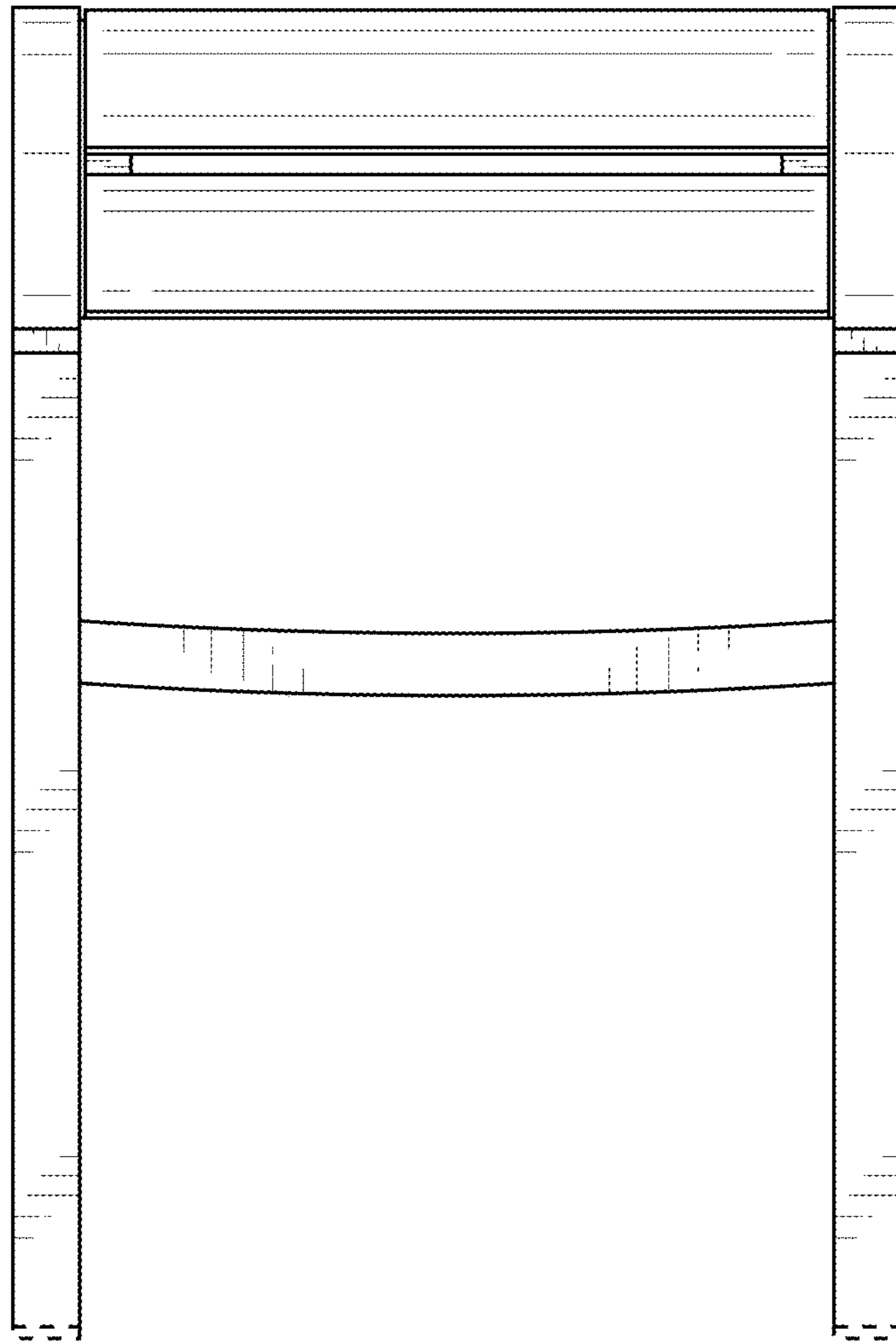
\* cited by examiner



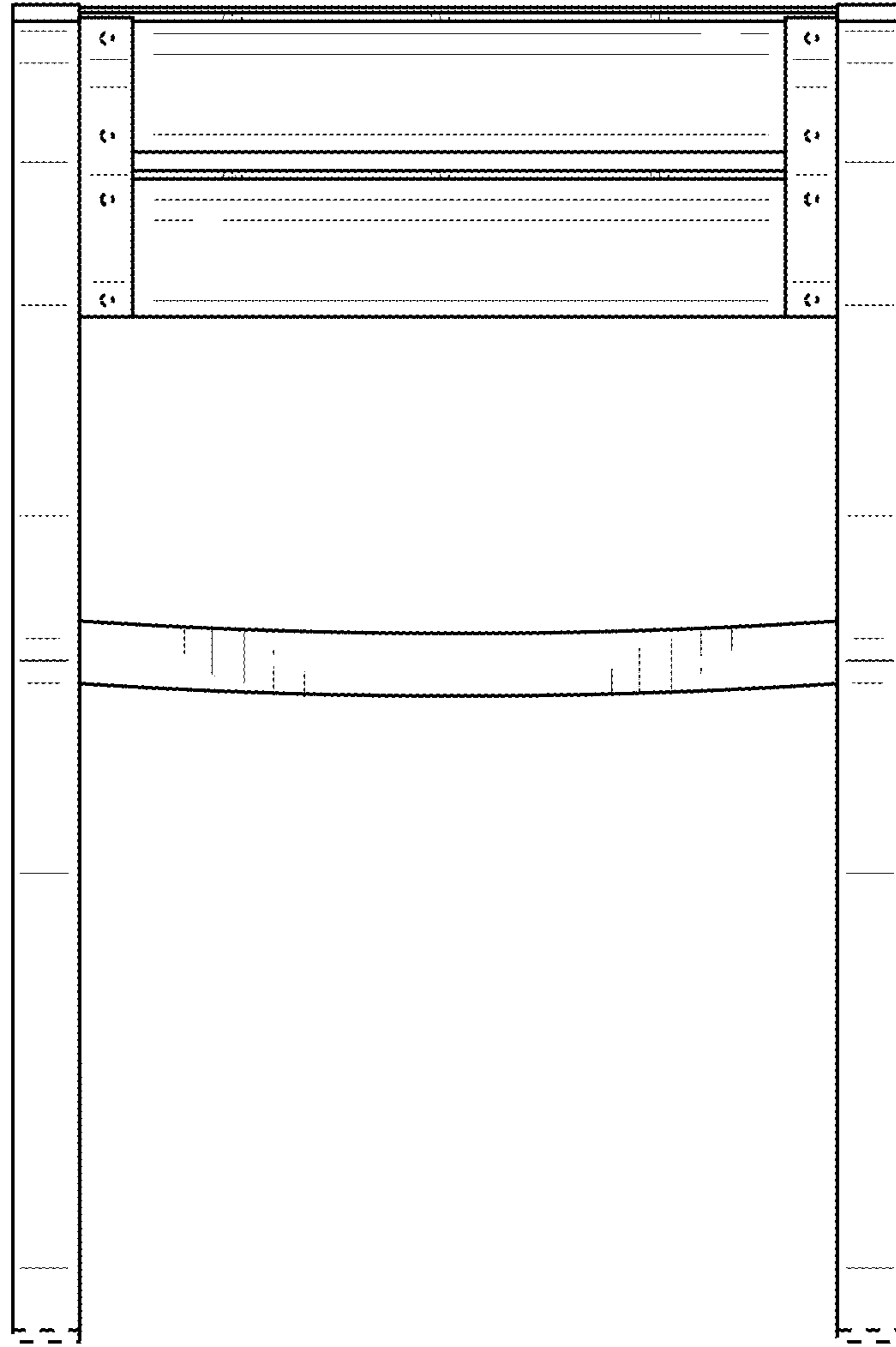
**FIG. 1**



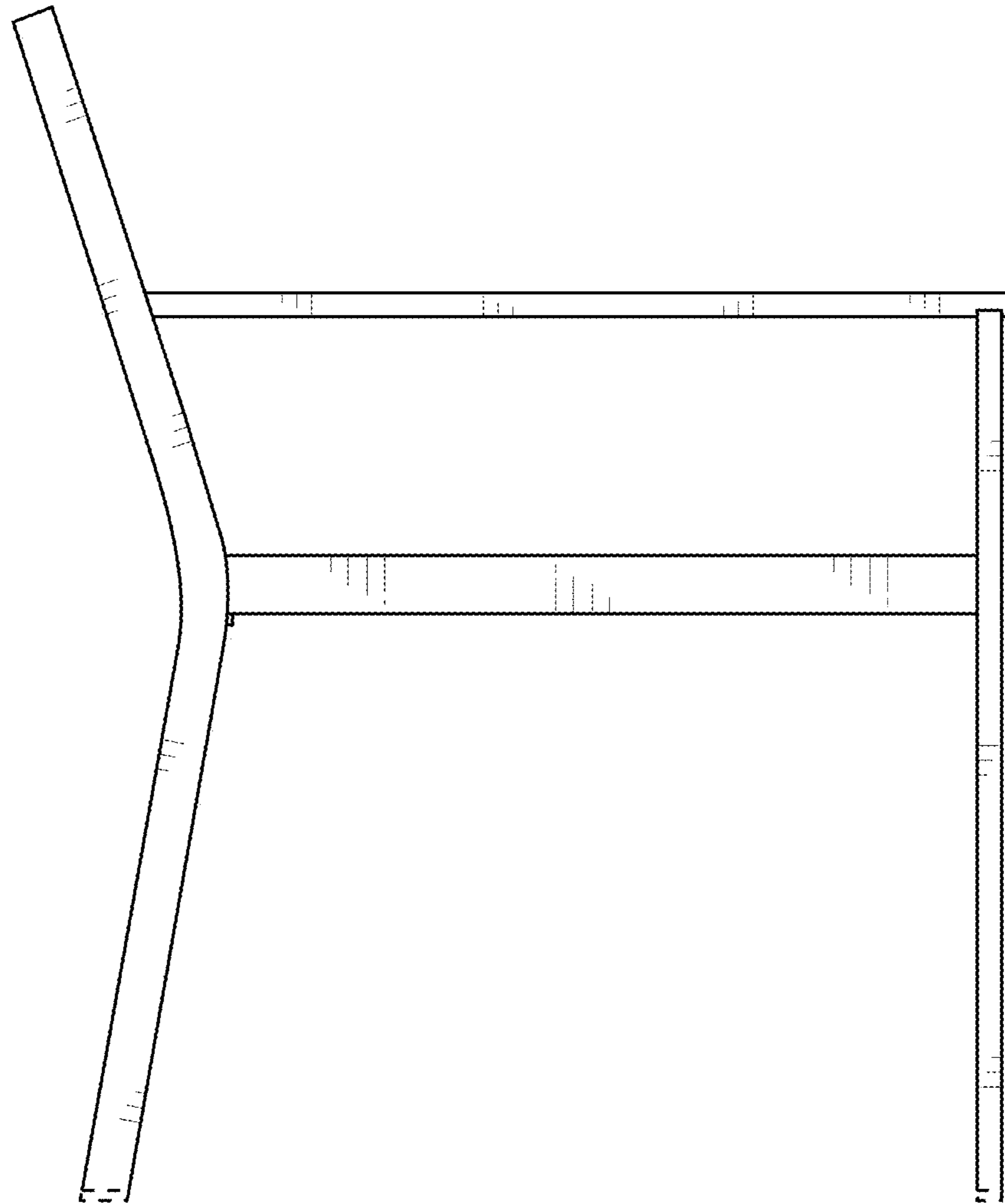
**FIG. 2**



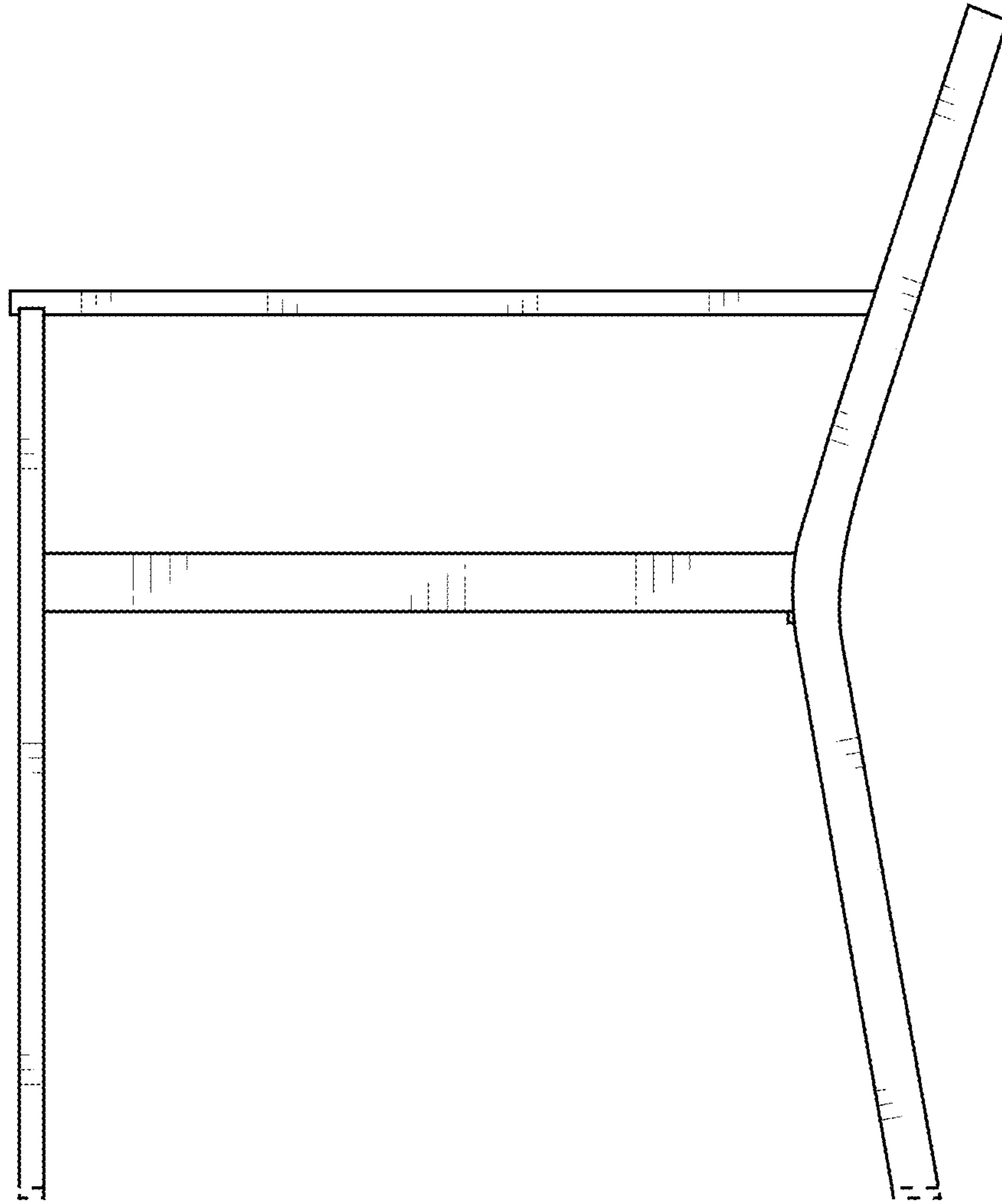
**FIG. 3**



**FIG. 4**

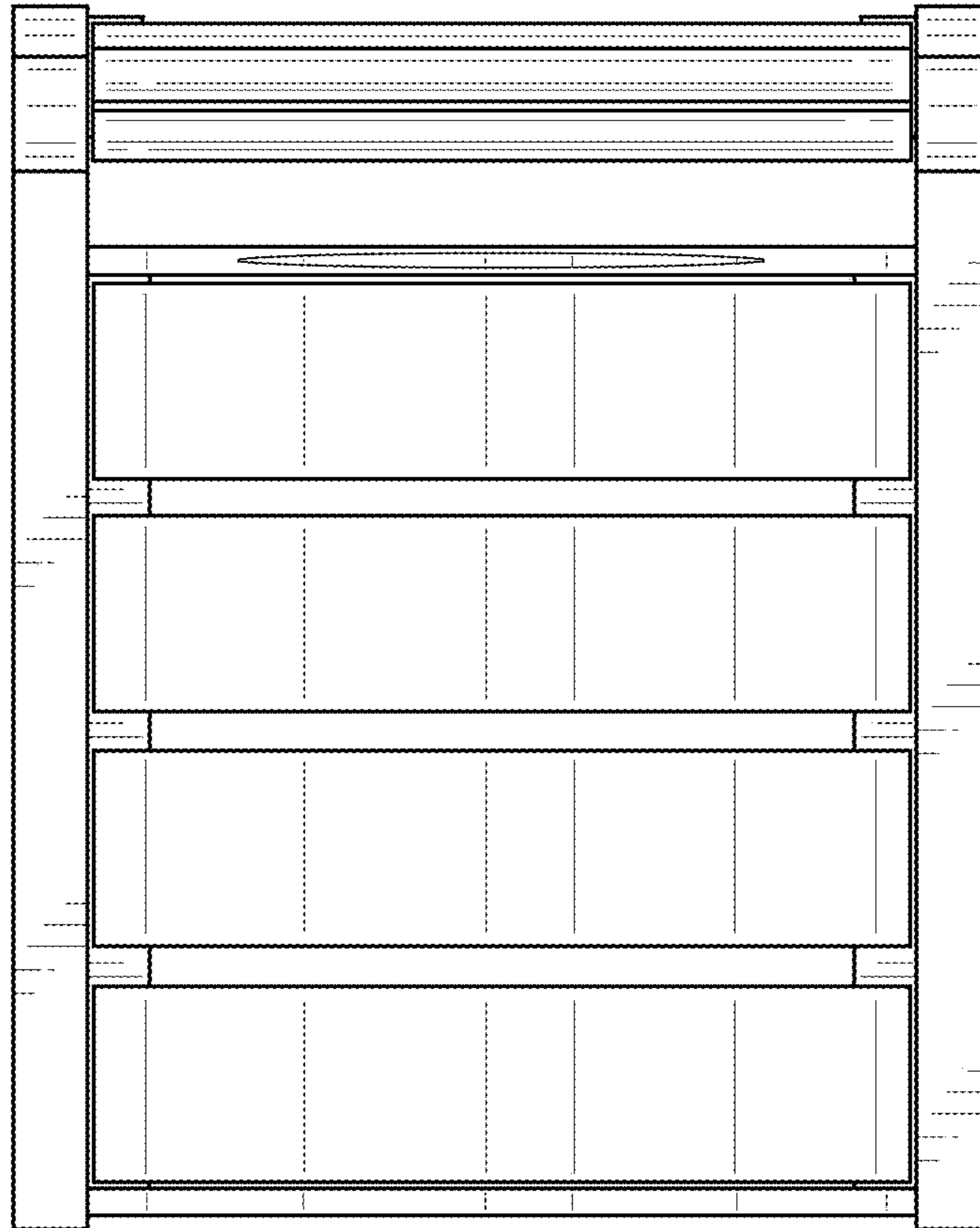


**FIG. 5**

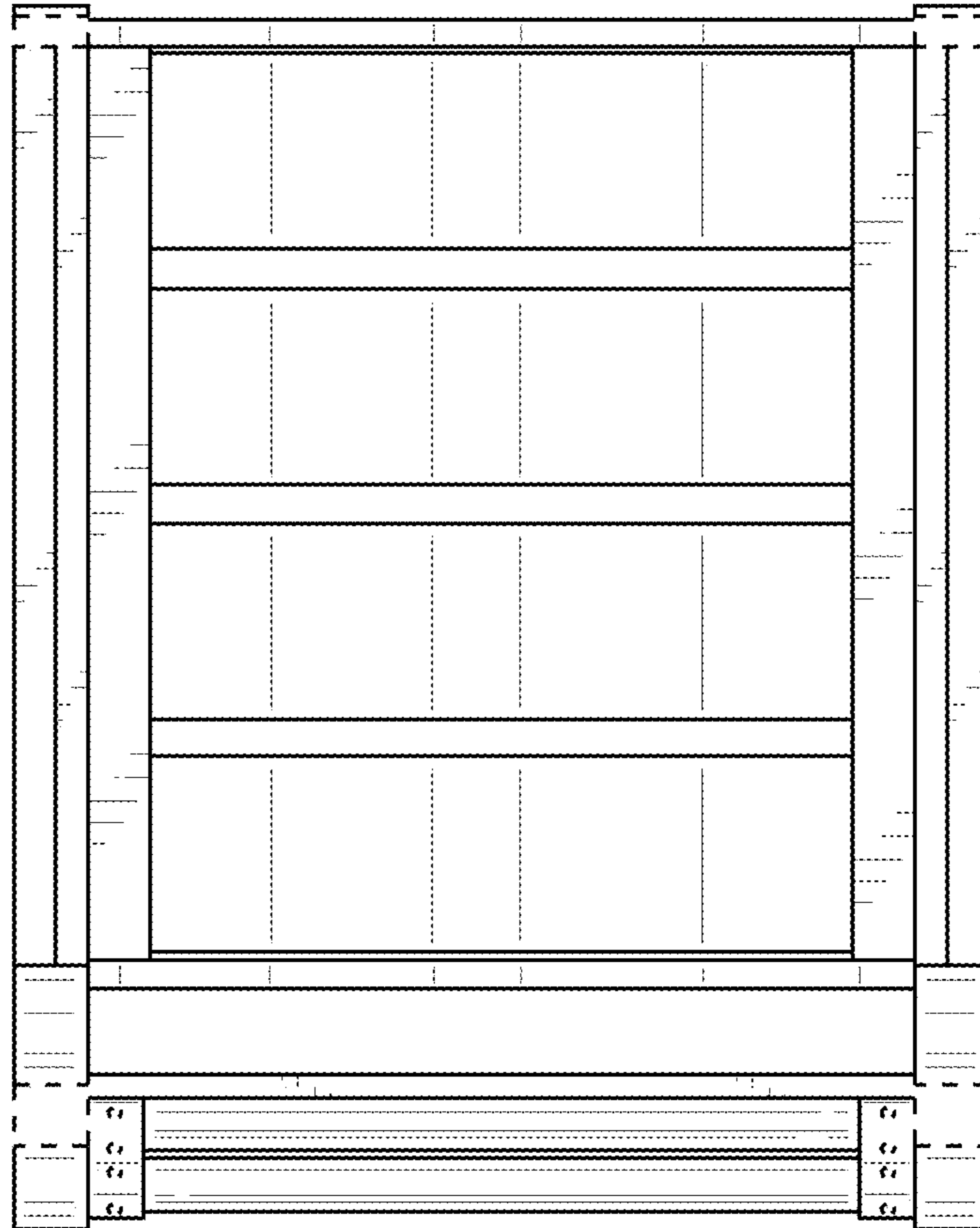


**FIG. 6**





**FIG. 7**



**FIG. 8**