



US00D937595S

(12) **United States Design Patent** (10) **Patent No.:** **US D937,595 S**  
**Deevers et al.** (45) **Date of Patent:** **\*\* \*Dec. 7, 2021**

(54) **CHAIR**

(71) Applicant: **Steelcase Inc.**, Grand Rapids, MI (US)

(72) Inventors: **Nickolaus William Charles Deevers**, Holland, MI (US); **Kurt R. Heidmann**, Grand Rapids, MI (US); **Gordon J. Peterson**, Rockford, MI (US); **Mark Spoelhof**, Grand Rapids, MI (US); **James Ludwig**, Grand Rapids, MI (US); **Alyssa Anne Robert**, Kentwood, MI (US)

(73) Assignee: **Steelcase Inc.**, Grand Rapids, MI (US)

(\*) Notice: This patent is subject to a terminal disclaimer.

(\*\*) Term: **15 Years**

(21) Appl. No.: **29/724,814**

(22) Filed: **Feb. 19, 2020**

(51) **LOC (13) Cl.** ..... **06-01**

(52) **U.S. Cl.**  
USPC ..... **D6/366**

(58) **Field of Classification Search**  
USPC ..... D6/334, 361, 364, 365, 366, 367, 379, D6/380, 716.1, 716.2, 716.4  
CPC .... A47C 3/00; A47C 3/18; A47C 3/20; A47C 3/026; A47C 1/00; A47C 1/02; A47C 1/022; A47C 1/03; A47C 1/14; A47C 1/143; A47C 7/24; A47C 7/36; A47C 7/46; A47C 7/18; A47C 7/40; A47C 7/54  
See application file for complete search history.

(56) **References Cited**

**U.S. PATENT DOCUMENTS**

3,041,109 A 6/1962 Eames et al.  
3,606,464 A 9/1971 Arbuthnot  
4,545,614 A 10/1985 Abu-Isa et al.

4,555,136 A 11/1985 Dranger  
4,555,139 A 11/1985 Leib  
4,826,249 A 5/1989 Bradbury  
4,869,554 A 9/1989 Abu-Isa et al.  
5,354,120 A 10/1994 Völkle  
5,457,968 A 10/1995 McClintock et al.  
5,795,026 A 8/1998 Dral  
5,855,991 A 1/1999 McLarty, III  
6,050,646 A 4/2000 Stenzel et al.  
6,341,822 B2 1/2002 Apissomian  
6,632,756 B1 10/2003 Waldrop et al.

(Continued)

**FOREIGN PATENT DOCUMENTS**

JP 2012085897 A 5/2012  
JP 2013-132403 A 7/2013  
JP 2020062346 A \* 4/2020

**OTHER PUBLICATIONS**

ScanDesign. <https://www.scandesign.com/products/flow-hb-office-chair-white>. "Flow HB Office Chair—White". Aug. 2020 (Year: 2020).\*

(Continued)

*Primary Examiner* — R. Johnson

(74) *Attorney, Agent, or Firm* — Crowell & Moring LLP

(57) **CLAIM**

The ornamental design for a chair, as shown and described.

**DESCRIPTION**

FIG. 1 is a front perspective view of a chair;  
FIG. 2 is a rear perspective view of the chair shown in FIG. 1;  
FIG. 3 is a right side view of the chair shown in FIG. 1;  
FIG. 4 is a left side view of the chair shown in FIG. 1;  
FIG. 5 is front view of the chair shown in FIG. 1;  
FIG. 6 is a rear view of the chair shown in FIG. 1;  
FIG. 7 is a top view of the chair shown in FIG. 1; and  
FIG. 8 is a bottom view of the chair shown in FIG. 1.

**1 Claim, 8 Drawing Sheets**



(56)

References Cited

U.S. PATENT DOCUMENTS

D487,359 S 3/2004 Giugiaro  
 6,729,691 B2 5/2004 Koepke et al.  
 6,749,261 B2 6/2004 Knoblock et al.  
 D496,813 S 10/2004 Nakajima  
 6,814,412 B2 11/2004 Cramb, III et al.  
 6,951,370 B1\* 10/2005 Hsu ..... A47C 3/20  
 297/260.2  
 6,983,997 B2 1/2006 Wilkerson et al.  
 D517,820 S 3/2006 Citterio  
 7,055,911 B2 6/2006 Simpson et al.  
 D527,920 S 9/2006 Giugiaro  
 D528,811 S 9/2006 Giugiaro  
 7,159,943 B2 1/2007 Costaglia  
 D549,975 S 9/2007 Fancelli  
 D555,377 S\* 11/2007 Pensi ..... D6/366  
 D557,917 S 12/2007 Nakamura  
 D576,809 S 9/2008 Christianson et al.  
 7,425,039 B2 9/2008 Lin  
 7,441,839 B2 10/2008 Pennington et al.  
 7,568,765 B2 8/2009 Bräuning  
 7,712,833 B2 5/2010 Ueda  
 7,837,272 B2 11/2010 Masunaga et al.  
 D641,983 S 7/2011 Hazzard  
 D646,088 S 10/2011 Ballendat  
 8,087,727 B2 1/2012 Parker et al.  
 8,113,582 B2 2/2012 Liu  
 D658,904 S 5/2012 Chen  
 D663,129 S 7/2012 Greutmann  
 8,251,448 B2 8/2012 Machael  
 D675,456 S 2/2013 Sexton  
 D683,150 S 5/2013 Smith et al.  
 D683,151 S 5/2013 Smith et al.  
 D688,497 S 8/2013 Smith et al.  
 D688,498 S 8/2013 Smith et al.  
 D688,499 S 8/2013 Smith et al.  
 D688,500 S 8/2013 Smith et al.  
 D688,501 S 8/2013 Smith et al.  
 D688,503 S 8/2013 Smith et al.  
 D688,504 S 8/2013 Smith et al.  
 D688,505 S 8/2013 Smith et al.  
 D689,312 S 9/2013 Smith et al.  
 D689,313 S 9/2013 Smith et al.  
 D689,314 S 9/2013 Smith et al.  
 D689,317 S 9/2013 Smith et al.  
 D689,318 S 9/2013 Smith et al.  
 D690,146 S 9/2013 Smith et al.  
 D690,547 S 10/2013 Smith et al.  
 D694,536 S 12/2013 Smith et al.  
 D694,537 S 12/2013 Smith et al.  
 D694,538 S 12/2013 Smith et al.  
 D694,539 S 12/2013 Smith et al.  
 D694,540 S 12/2013 Smith et al.  
 D695,034 S 12/2013 Smith et al.  
 D697,726 S 1/2014 Smith et al.  
 D697,728 S 1/2014 Smith et al.  
 D697,729 S 1/2014 Smith et al.  
 D697,730 S 1/2014 Smith et al.  
 D698,164 S 1/2014 Smith et al.  
 D698,165 S 1/2014 Smith et al.  
 D698,166 S 1/2014 Smith et al.  
 D699,957 S 2/2014 Smith et al.  
 D699,958 S 2/2014 Smith et al.  
 D699,959 S 2/2014 Smith et al.  
 D699,994 S 2/2014 Smith et al.  
 D701,053 S 3/2014 Smith et al.  
 8,690,249 B2 4/2014 Kang et al.  
 D707,976 S 7/2014 Smith  
 D708,882 S 7/2014 Hsuan-Chin  
 8,794,701 B2 8/2014 Nakayama et al.  
 8,998,339 B2 4/2015 Peterson et al.  
 D733,445 S 7/2015 Izawa et al.

D742,676 S 11/2015 Smith et al.  
 D742,677 S 11/2015 Smith et al.  
 D742,678 S 11/2015 Smith et al.  
 D750,406 S 3/2016 Smith et al.  
 9,560,917 B2 2/2017 Roslund, Jr.  
 D781,604 S 3/2017 Smith et al.  
 D781,605 S 3/2017 Smith et al.  
 9,622,579 B2 4/2017 Wilkinson et al.  
 9,648,957 B2 5/2017 Su  
 D792,717 S\* 7/2017 Webb ..... D6/366  
 D802,951 S 11/2017 Ludwig et al.  
 D802,952 S 11/2017 Ludwig et al.  
 D804,209 S 12/2017 Ludwig et al.  
 D804,839 S 12/2017 Ludwig et al.  
 D804,840 S 12/2017 Ludwig et al.  
 D804,841 S 12/2017 Ludwig et al.  
 D804,875 S 12/2017 Ludwig et al.  
 D804,876 S 12/2017 Ludwig et al.  
 D808,187 S 1/2018 Ludwig et al.  
 D821,793 S 7/2018 Ludwig et al.  
 D825,971 S 8/2018 Scagnellato  
 D834,844 S 12/2018 Chan et al.  
 10,173,567 B2 1/2019 Madrigal et al.  
 D852,525 S 7/2019 Peterson  
 D852,526 S\* 7/2019 Peterson ..... D6/366  
 D863,802 S\* 10/2019 Wang ..... D6/366  
 D869,872 S\* 12/2019 Deevers ..... D6/366  
 D870,479 S 12/2019 Deevers et al.  
 D873,043 S 1/2020 Su  
 D873,576 S 1/2020 Engelhardt  
 D874,202 S 2/2020 Schmitz et al.  
 D878,789 S\* 3/2020 Wang ..... D6/366  
 D879,523 S 3/2020 Lampela et al.  
 D880,885 S\* 4/2020 Li ..... D6/366  
 D881,621 S 4/2020 Jin et al.  
 10,617,226 B1 4/2020 Liao  
 D883,690 S 5/2020 Dassen  
 D883,691 S 5/2020 Dassen  
 D887,157 S 6/2020 Holbrook  
 D899,836 S 10/2020 Chu  
 D902,614 S\* 11/2020 Peng ..... D6/366  
 D903,353 S 12/2020 Meda  
 D906,711 S\* 1/2021 Li ..... D6/366  
 D907,935 S 1/2021 Deevers  
 D908,381 S\* 1/2021 Breen ..... D6/366  
 D912,419 S 3/2021 Chen  
 2003/0189367 A1 10/2003 Erker  
 2007/0057560 A1 3/2007 Fookes  
 2007/0108821 A1\* 5/2007 Ueda ..... A47C 1/03255  
 297/301.1  
 2008/0100121 A1 5/2008 Serber  
 2009/0018833 A1 1/2009 Kozat et al.  
 2009/0261644 A1 10/2009 Piretti  
 2011/0233979 A1 9/2011 An  
 2013/0341980 A1 12/2013 Halliday et al.  
 2014/0077429 A1 3/2014 Battey  
 2014/0077541 A1 3/2014 Krupiczewicz  
 2014/0077548 A1\* 3/2014 Peterson ..... A47C 3/00  
 297/284.4  
 2016/0220025 A1 8/2016 Piretti  
 2018/0310721 A1 11/2018 Schmitz et al.  
 2020/0085194 A1 3/2020 Maier et al.  
 2020/0305610 A1 10/2020 Bock

OTHER PUBLICATIONS

Classic Chair. [https://www.classicchair.com.my/home/product\\_view/88/902](https://www.classicchair.com.my/home/product_view/88/902). "Checkers Chrome Series". Date unknown: Viewed Jul. 2021 (Year: 2021).\*  
 Sedus brochure, "se:motion, Office swivel chair for agile working", obtained from the Internet at: [www.sedus.com](http://www.sedus.com), not dated, 20 pgs.

\* cited by examiner



FIG. 1

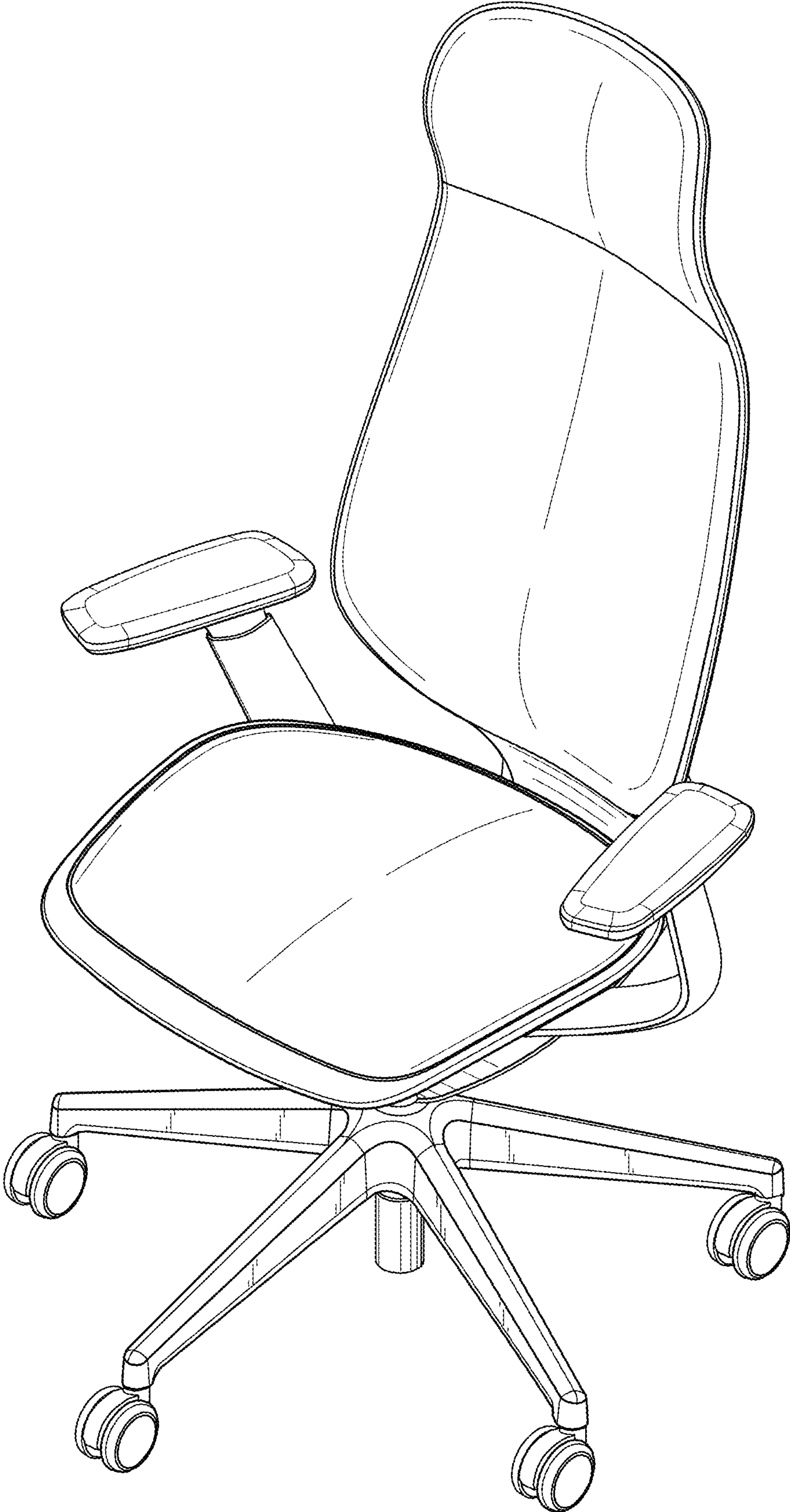


FIG. 2



FIG. 3

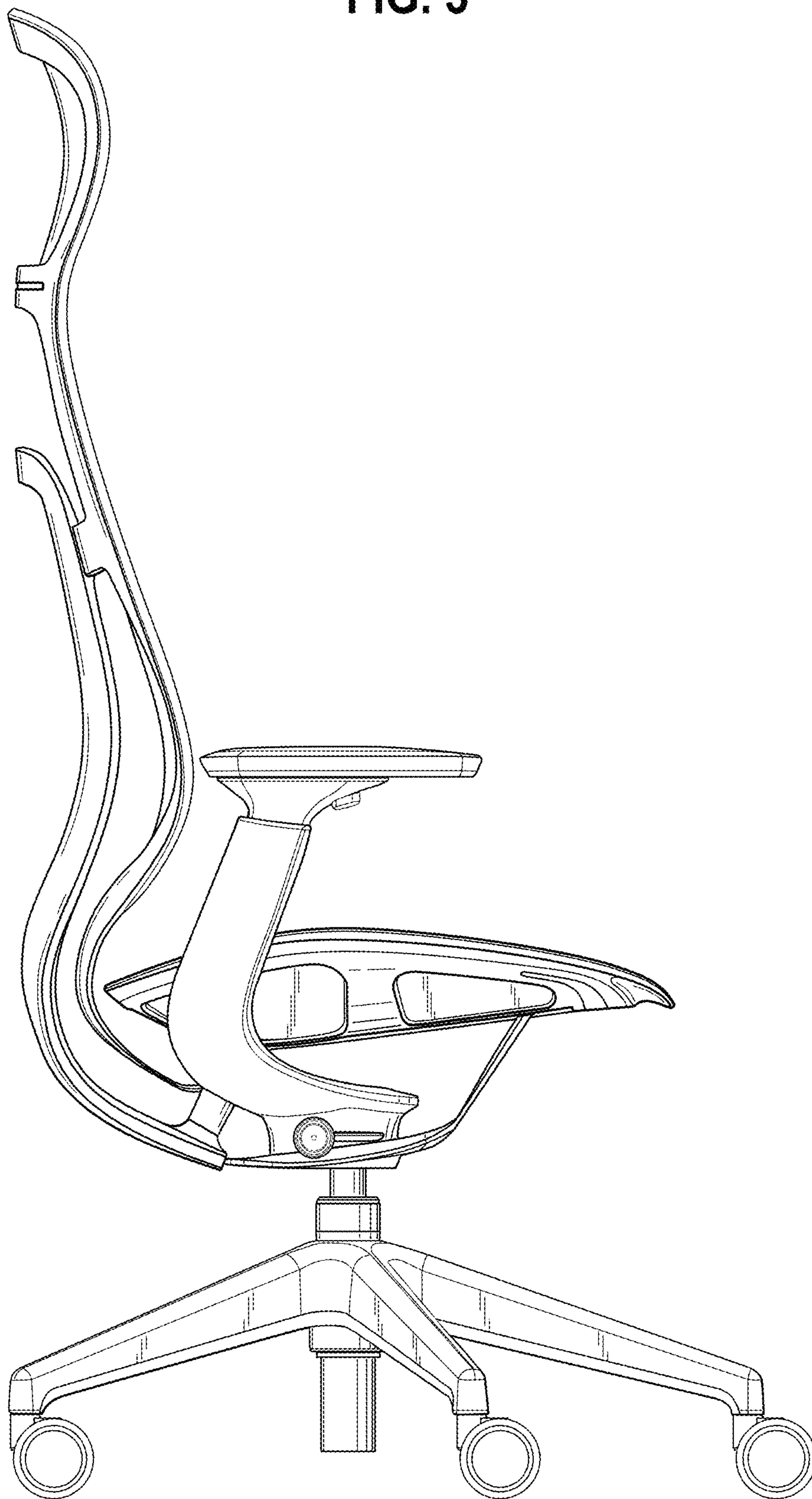


FIG. 4

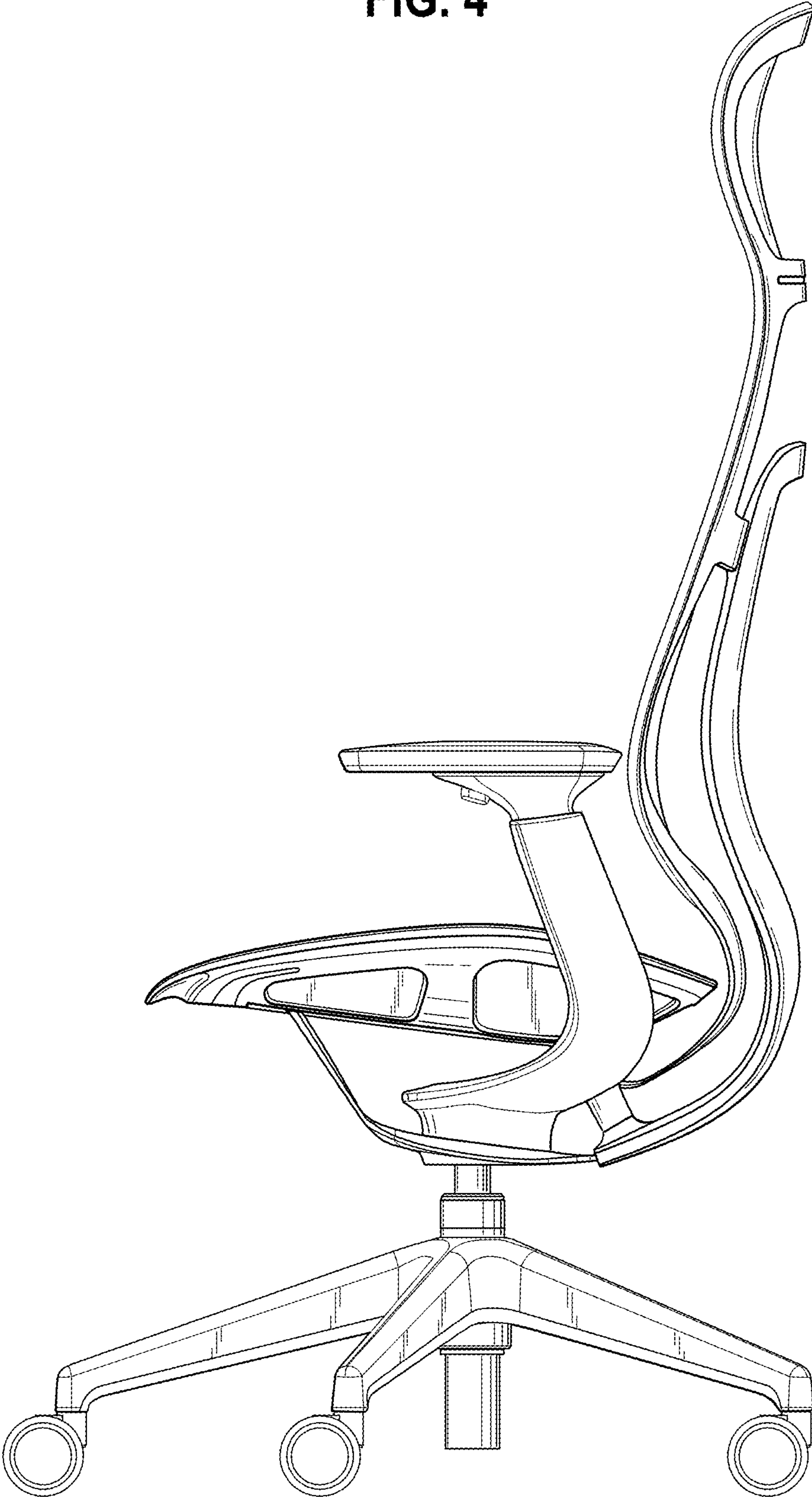




FIG. 5

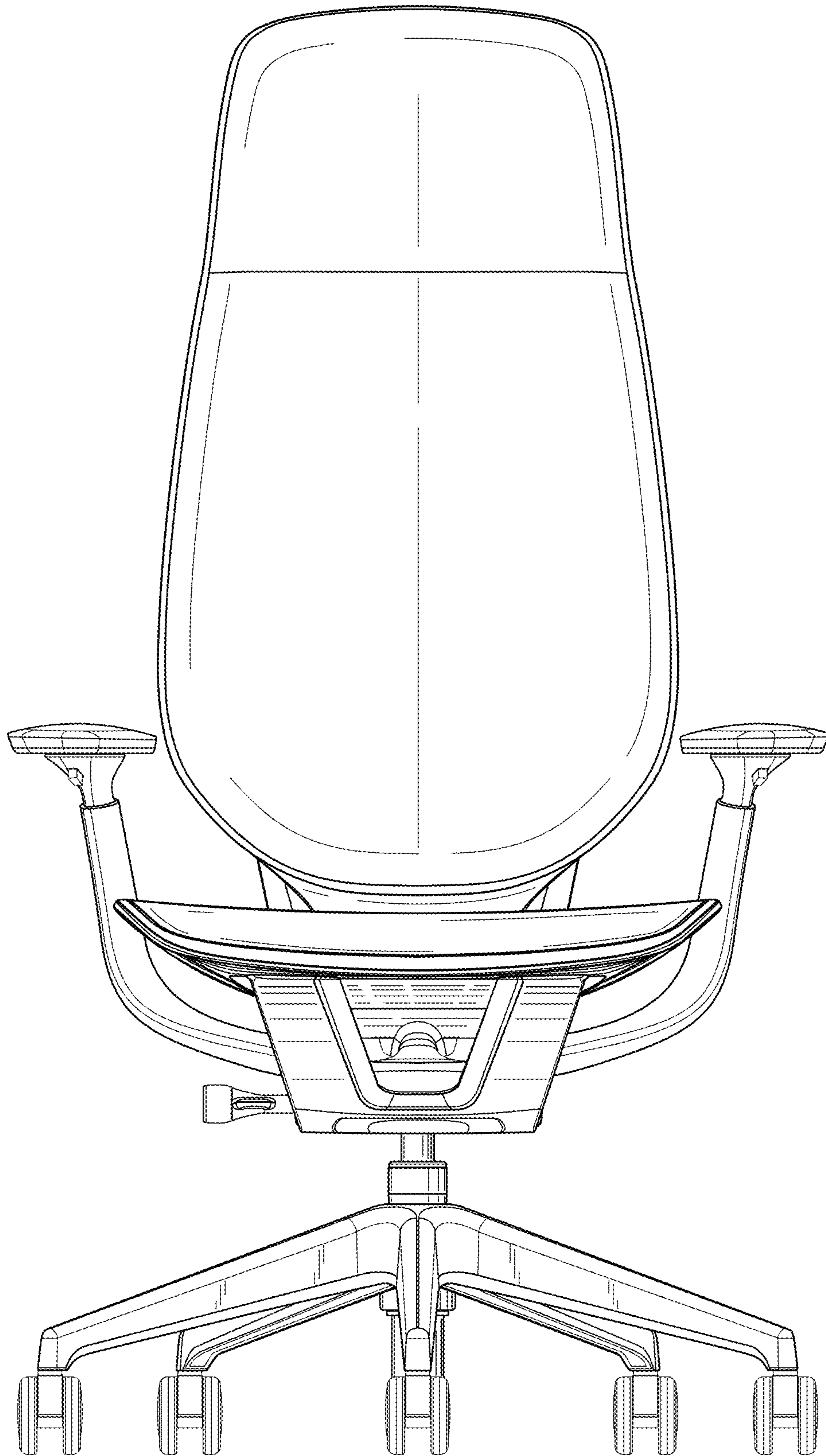


FIG. 6

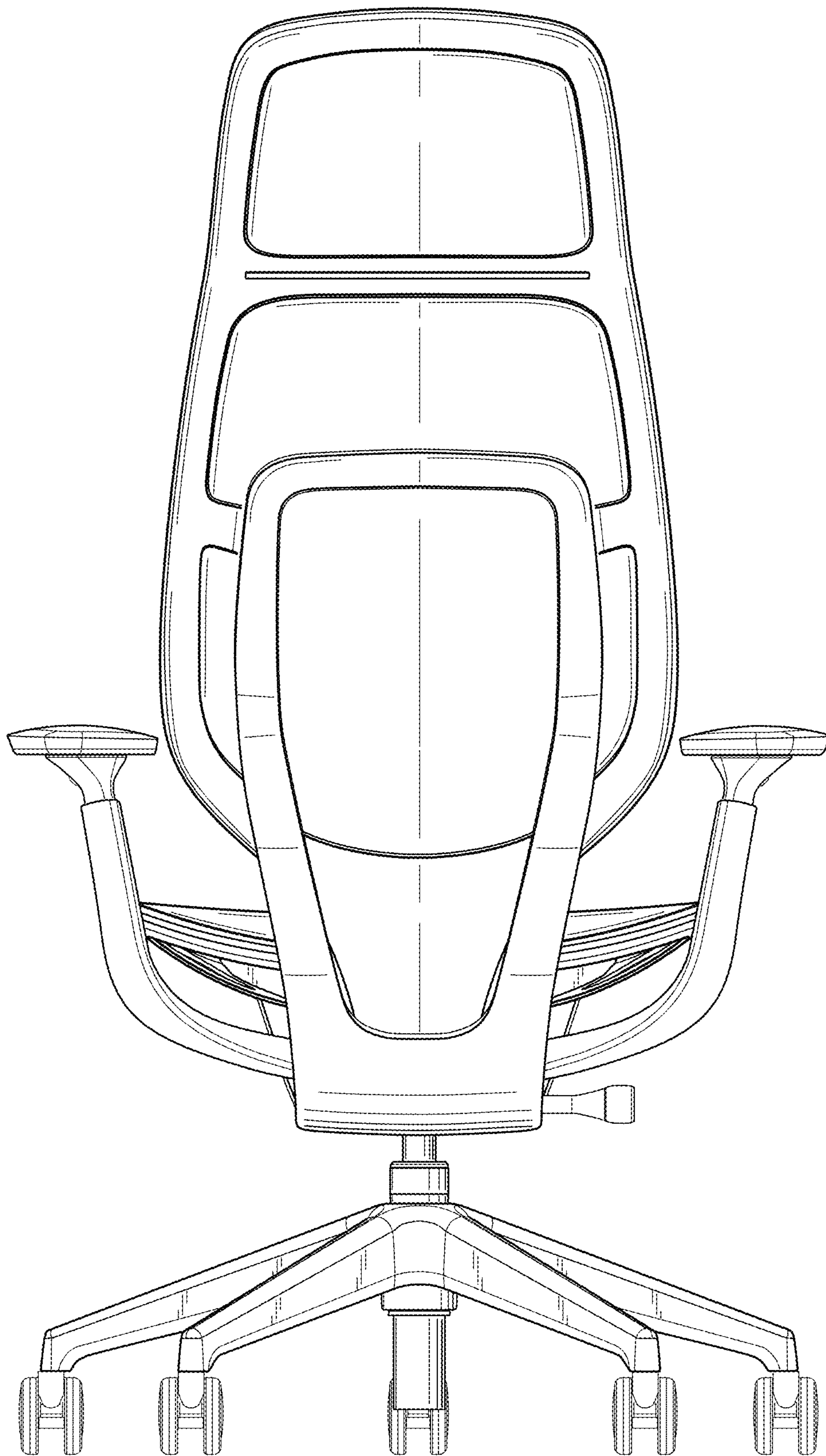




FIG. 7

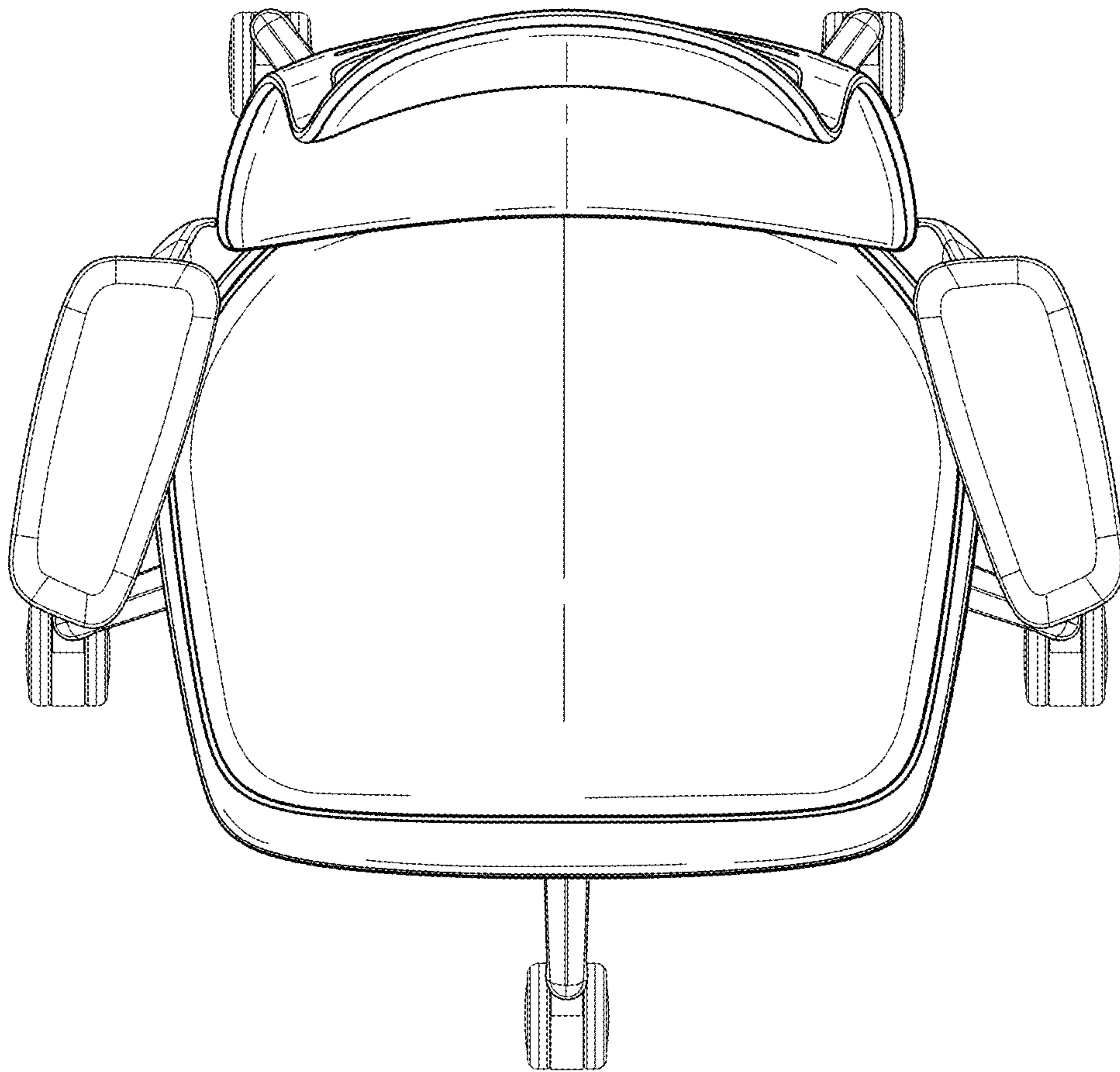


FIG. 8

