



US00D937593S

(12) **United States Design Patent**
Ni et al.

(10) **Patent No.:** **US D937,593 S**

(45) **Date of Patent:** **** Dec. 7, 2021**

(54) **CHAIR**

(71) Applicant: **ZHEJIANG SUNON FURNITURE
MANUFACTURE CO., LTD.**,
Hangzhou (CN)

(72) Inventors: **Liangzheng Ni**, Hangzhou (CN);
Xujun Zhang, Hangzhou (CN); **Jing
Li**, Hangzhou (CN)

(73) Assignee: **ZHEJIANG SUNON FURNITURE
MANUFACTURE CO., LTD.**,
Hangzhou (CN)

(**) Term: **15 Years**

(21) Appl. No.: **29/699,824**

(22) Filed: **Jul. 29, 2019**

(30) **Foreign Application Priority Data**

Jan. 28, 2019 (CN) 201930047997.X

(51) **LOC (13) Cl.** **06-01**

(52) **U.S. Cl.**
USPC **D6/366**

(58) **Field of Classification Search**
USPC D6/334-336, 364, 365, 366, 367, 374,
D6/379, 716, 716.1, 716.2, 716.4
CPC .. A47C 3/20; A47C 3/40; A47C 7/002; A47C
7/004; A47C 7/006; A47C 7/18; A47C
7/24; A47C 7/40; A47C 7/46; A47C
7/462; A47C 7/54; A47C 7/541

See application file for complete search history.

(56) **References Cited**

U.S. PATENT DOCUMENTS

D545,076 S *	6/2007	Dallmann	D6/366
D573,361 S *	7/2008	Kung	D6/366
D645,683 S *	9/2011	Chen	D6/716.4
D816,363 S *	5/2018	Su	D6/366
D846,927 S *	4/2019	Brueske	D6/716
D846,928 S *	4/2019	Brueske	D6/716
D853,769 S *	7/2019	Brueske	D6/716
D863,802 S *	10/2019	Wang	D6/366
D879,491 S *	3/2020	Wang	D6/366
D906,707 S *	1/2021	Wu	D6/366
D912,421 S *	3/2021	Chen	D6/366

* cited by examiner

Primary Examiner — Mimosa De

(74) *Attorney, Agent, or Firm* — Jiwen Chen; Jacobson
Holman PLLC

(57) **CLAIM**

The ornamental design for a chair, as shown and described.

DESCRIPTION

FIG. 1 is a first perspective view of the chair showing the design;

FIG. 2 is a second perspective view thereof;

FIG. 3 is a front elevational view thereof;

FIG. 4 is a rear elevational view thereof;

FIG. 5 is a left side view thereof;

FIG. 6 is a right side view thereof;

FIG. 7 is a top plan view thereof; and,

FIG. 8 is a bottom plan view thereof.

The broken lines form part of the design.

1 Claim, 8 Drawing Sheets

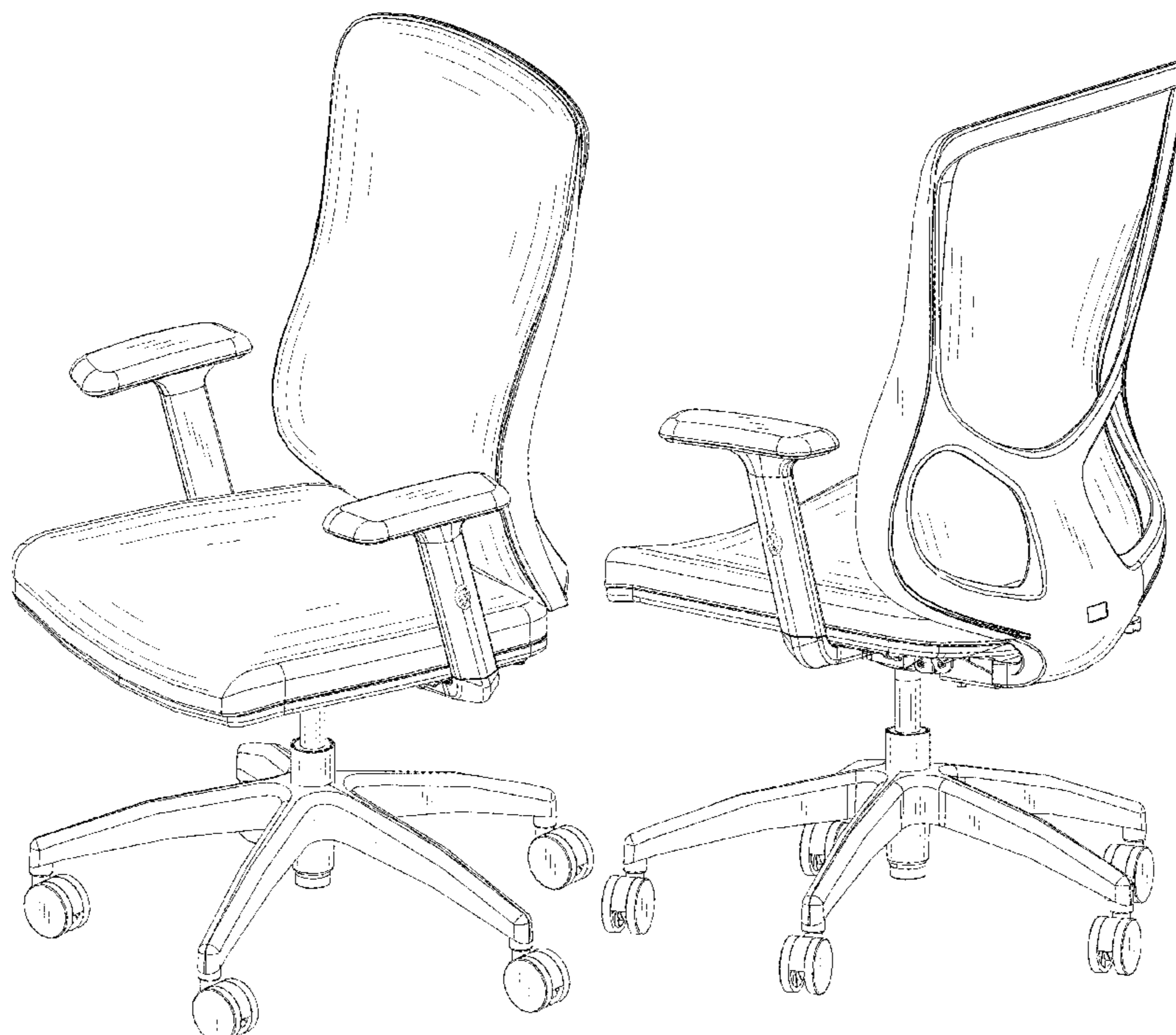




FIG. 1

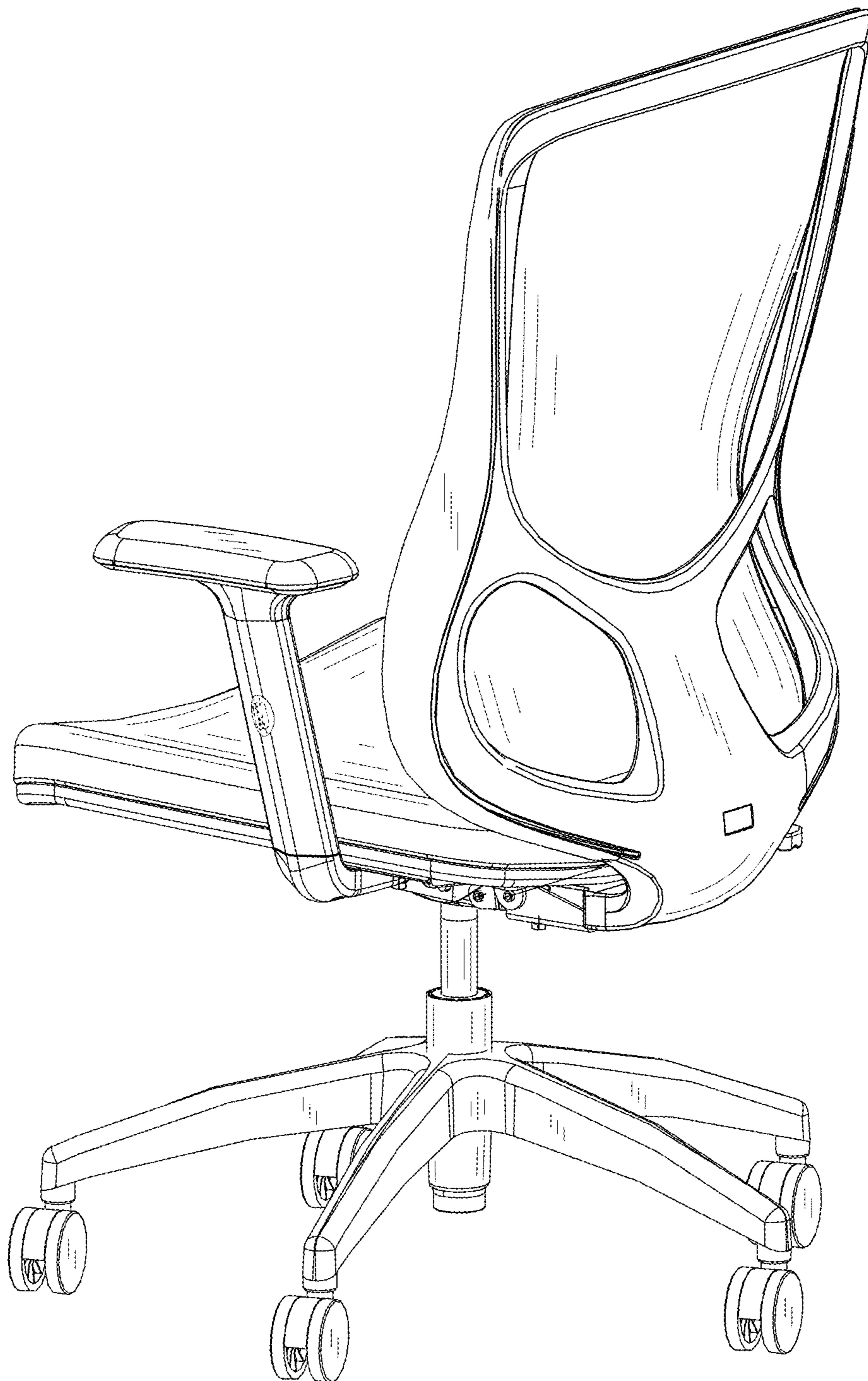


FIG. 2

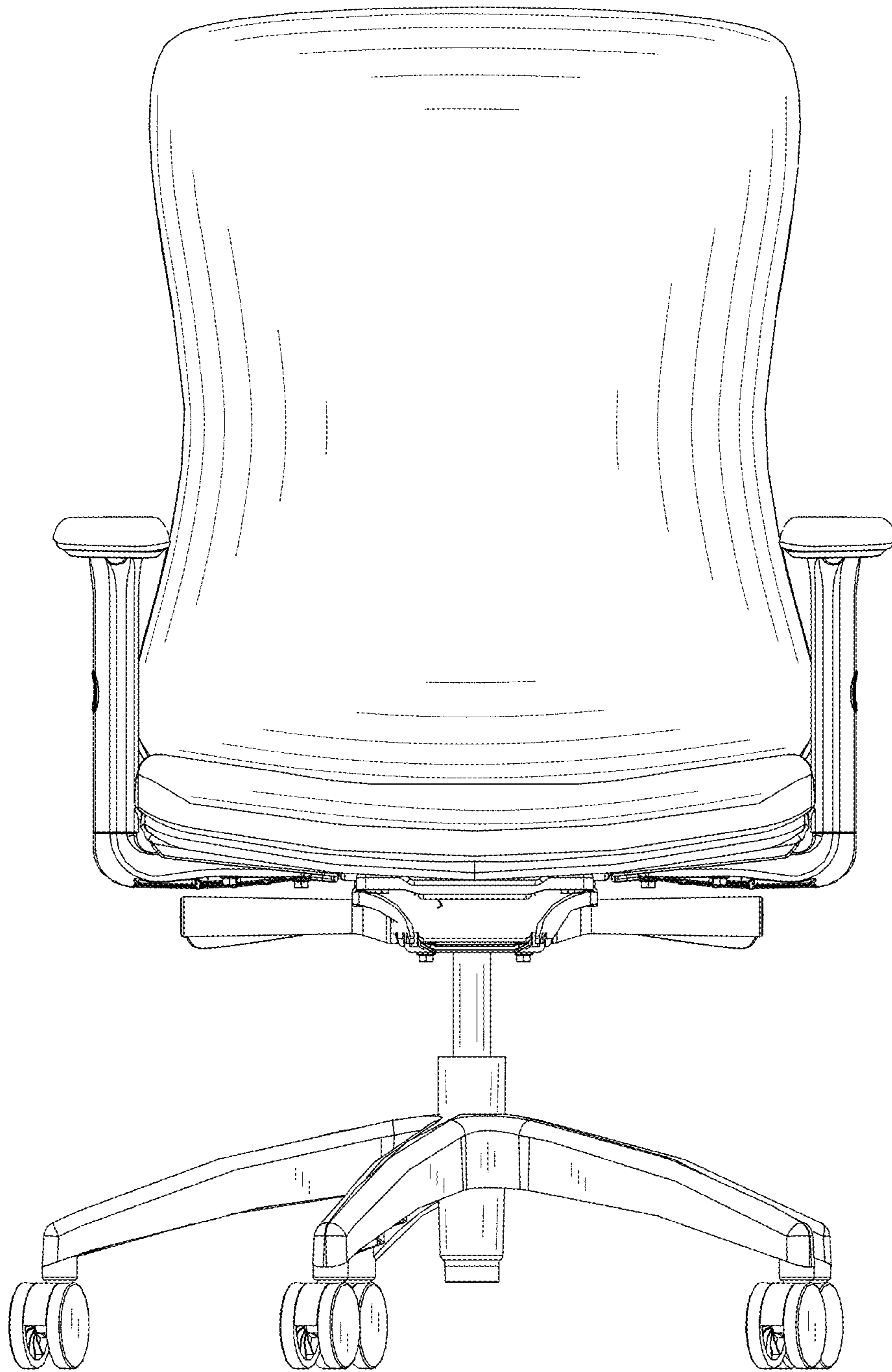


FIG. 3

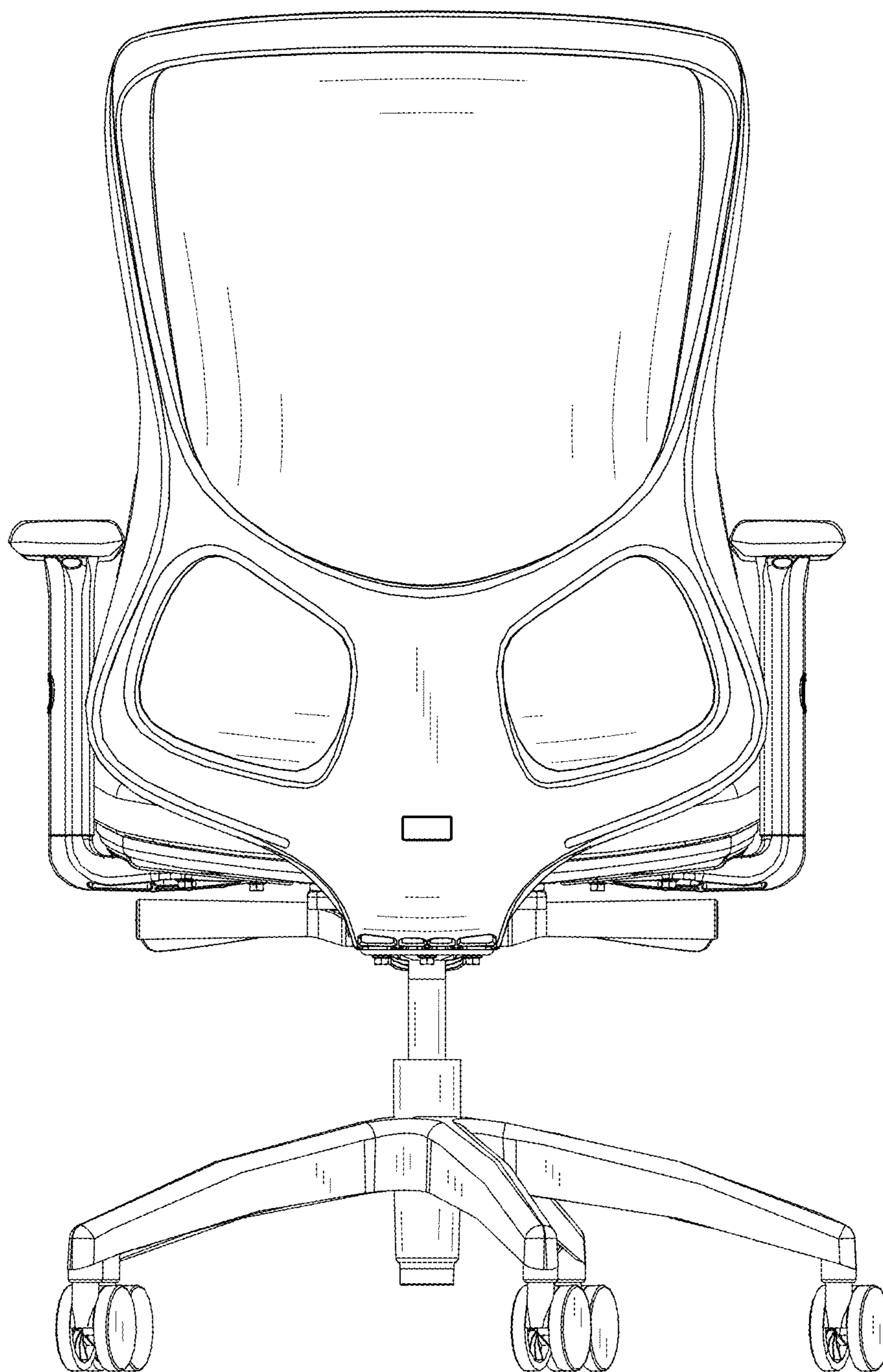


FIG. 4



FIG. 5



FIG. 6

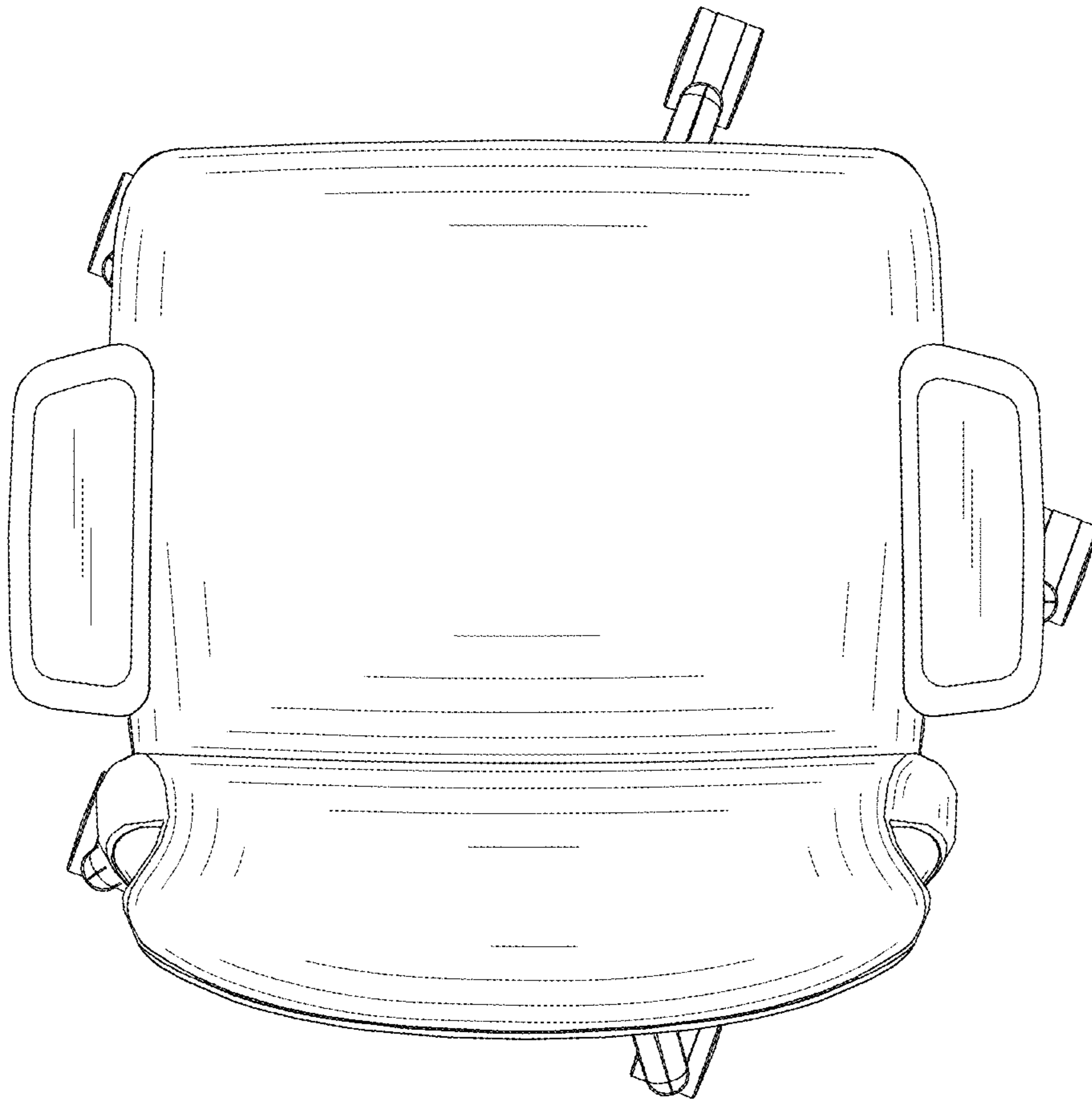


FIG. 7

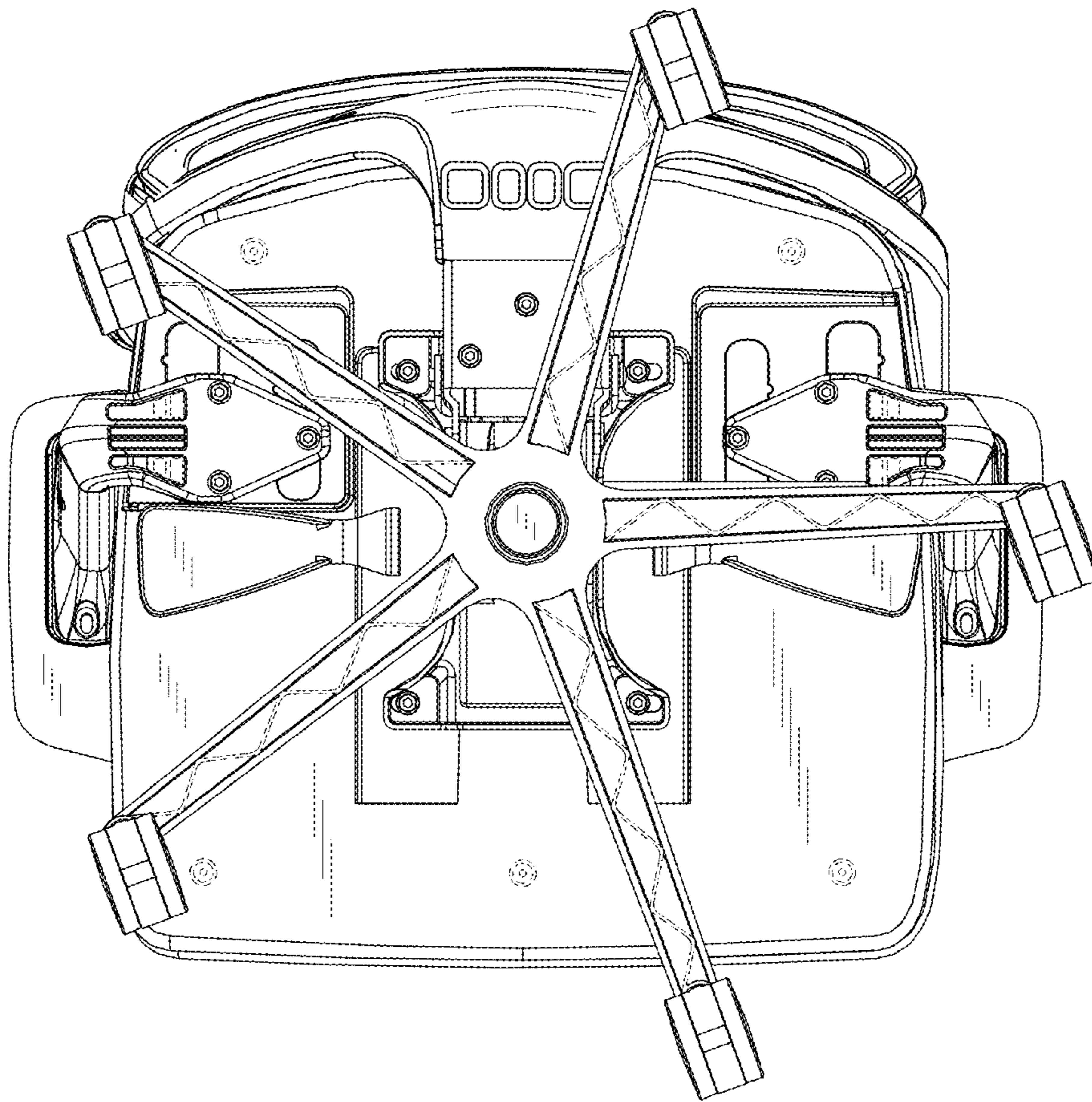


FIG. 8