



US00D937591S

(12) **United States Design Patent** (10) **Patent No.:** **US D937,591 S**
Wu (45) **Date of Patent:** **** Dec. 7, 2021**

(54) **REAR SEATS OF AUTOMOBILE**
(71) Applicant: **Tianjin ICONIQ New Energy Vehicle Co., Ltd.**, Tianjin (CN)
(72) Inventor: **Nan Wu**, Tianjin (CN)
(73) Assignee: **TIANJIN ICONIQ NEW ENERGY VEHICLE CO., LTD.**, Tianjin (CN)

(**) Term: **15 Years**
(21) Appl. No.: **29/712,109**
(22) Filed: **Nov. 5, 2019**

(30) **Foreign Application Priority Data**
May 5, 2019 (CN) 201930213233.3
(51) **LOC (13) Cl.** **06-01**
(52) **U.S. Cl.**
USPC **D6/356**
(58) **Field of Classification Search**
USPC D6/334-336, 356, 364, 367, 368, 374, D6/380, 381, 716, 716.1, 716.4, 716.5
CPC B60N 2/00; B60N 2/20; B60N 2/2222; B60N 2/64; B60N 2/643; B60N 2/58; B60N 2/646; B60N 2/68; B60N 2/682; B60N 2/686; B60N 2/80; B60N 2/803; B60N 2/02; B60N 2/01; B60N 2/012; B60N 2/206; B60N 2/0292; B60N 2/24; B60N 2/242

See application file for complete search history.

(56) **References Cited**
U.S. PATENT DOCUMENTS
D138,511 S * 8/1944 Dreyfuss D6/356
D140,502 S * 3/1945 Forster D6/356
D257,918 S * 1/1981 Reida D6/356
5,195,709 A * 3/1993 Yasushi B64D 11/0646 297/217.3

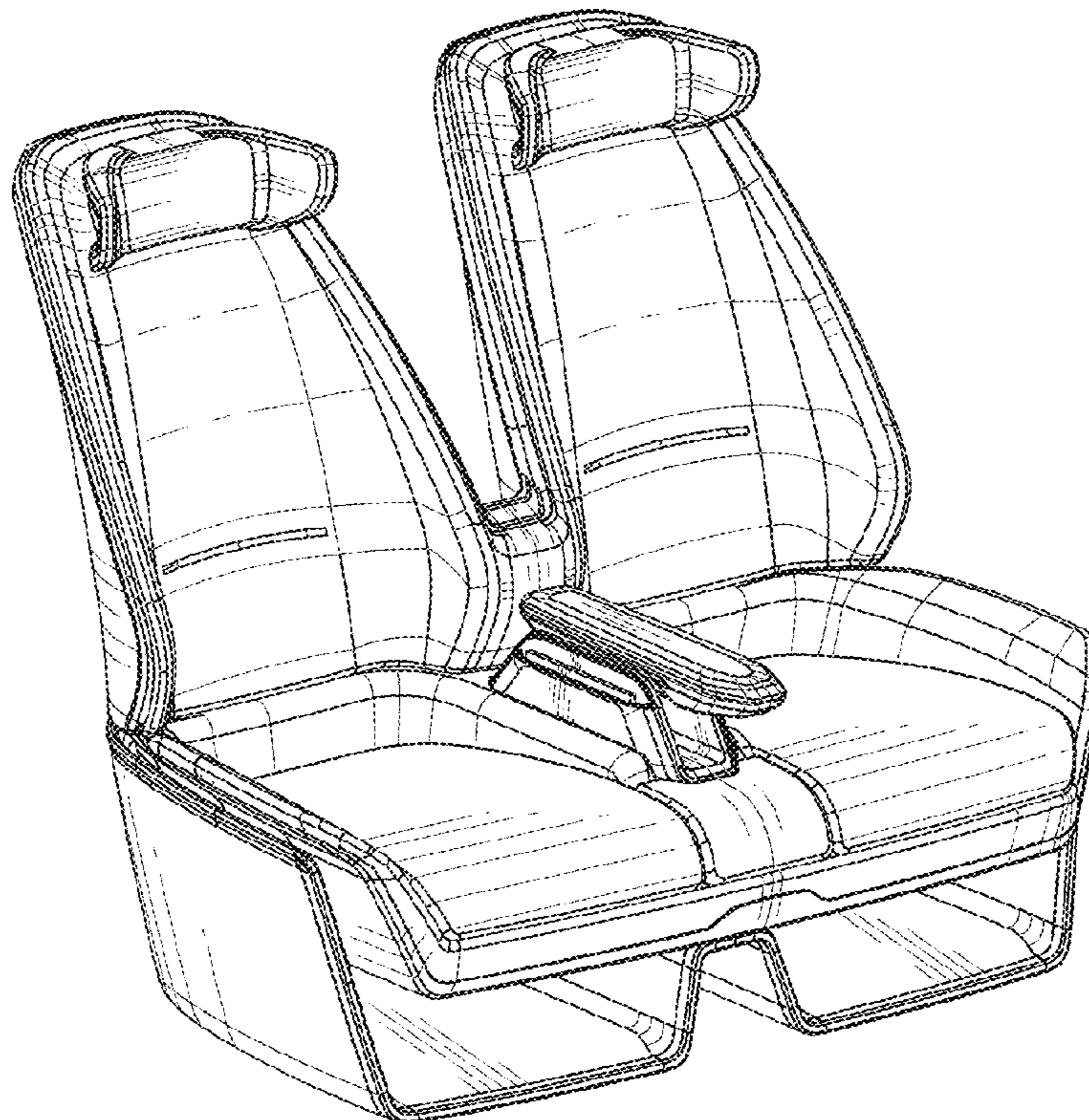
FOREIGN PATENT DOCUMENTS
WO WO-2010086822 A1 * 8/2010 B60N 2/20
* cited by examiner

Primary Examiner — Mimoso De
(74) *Attorney, Agent, or Firm* — Kacvinsky Daisak Bluni PLLC

(57) **CLAIM**
The ornamental design for rear seats of automobile, as shown and described.

DESCRIPTION
FIG. 1 is a front view of the design for rear seats of automobile;
FIG. 2 is a rear view thereof;
FIG. 3 is a left view thereof;
FIG. 4 is a right view thereof;
FIG. 5 is a top view thereof;
FIG. 6 is a bottom view thereof;
FIG. 7 is a perspective view thereof; and,
FIG. 8 is another perspective view thereof.

1 Claim, 4 Drawing Sheets



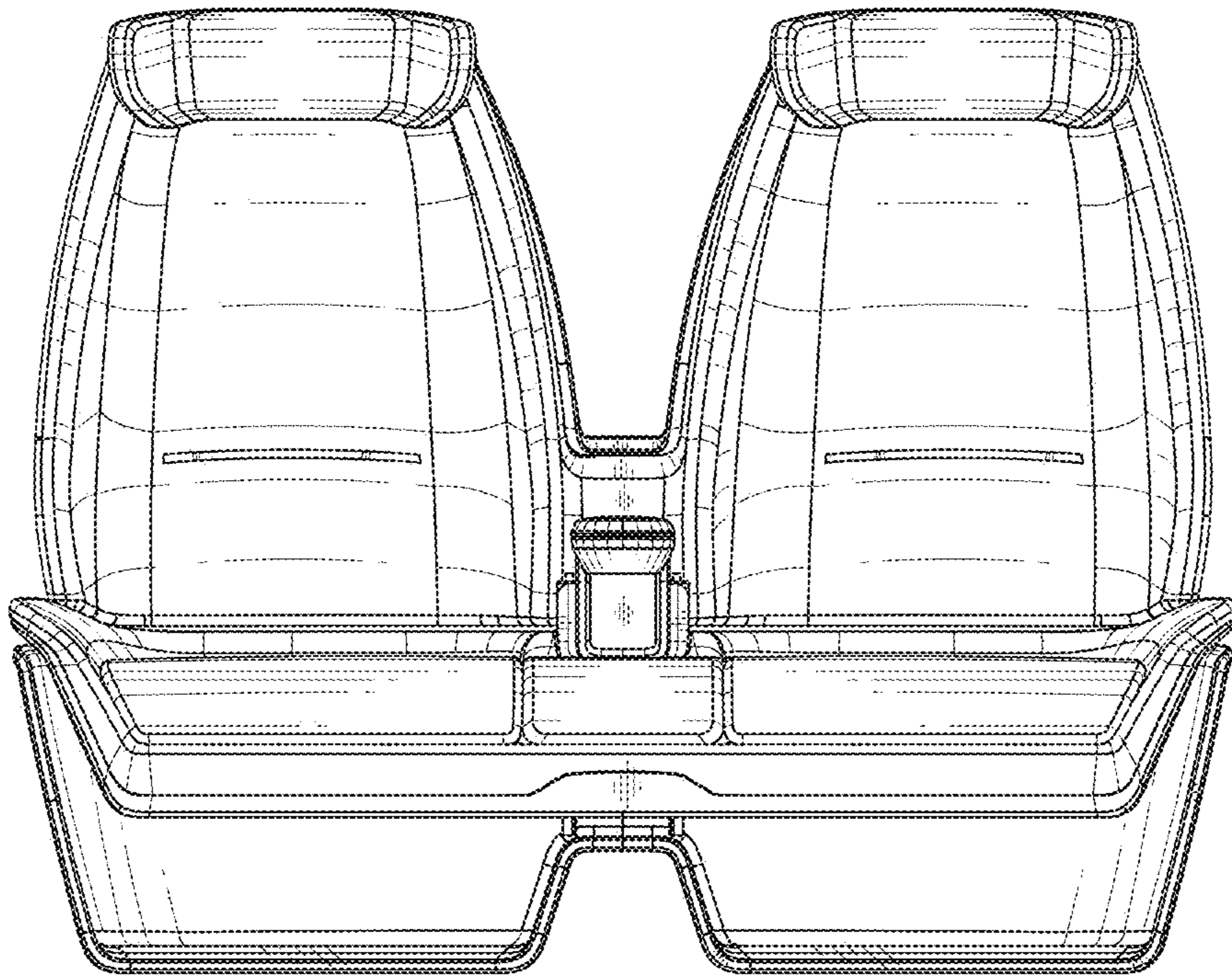


FIG. 1

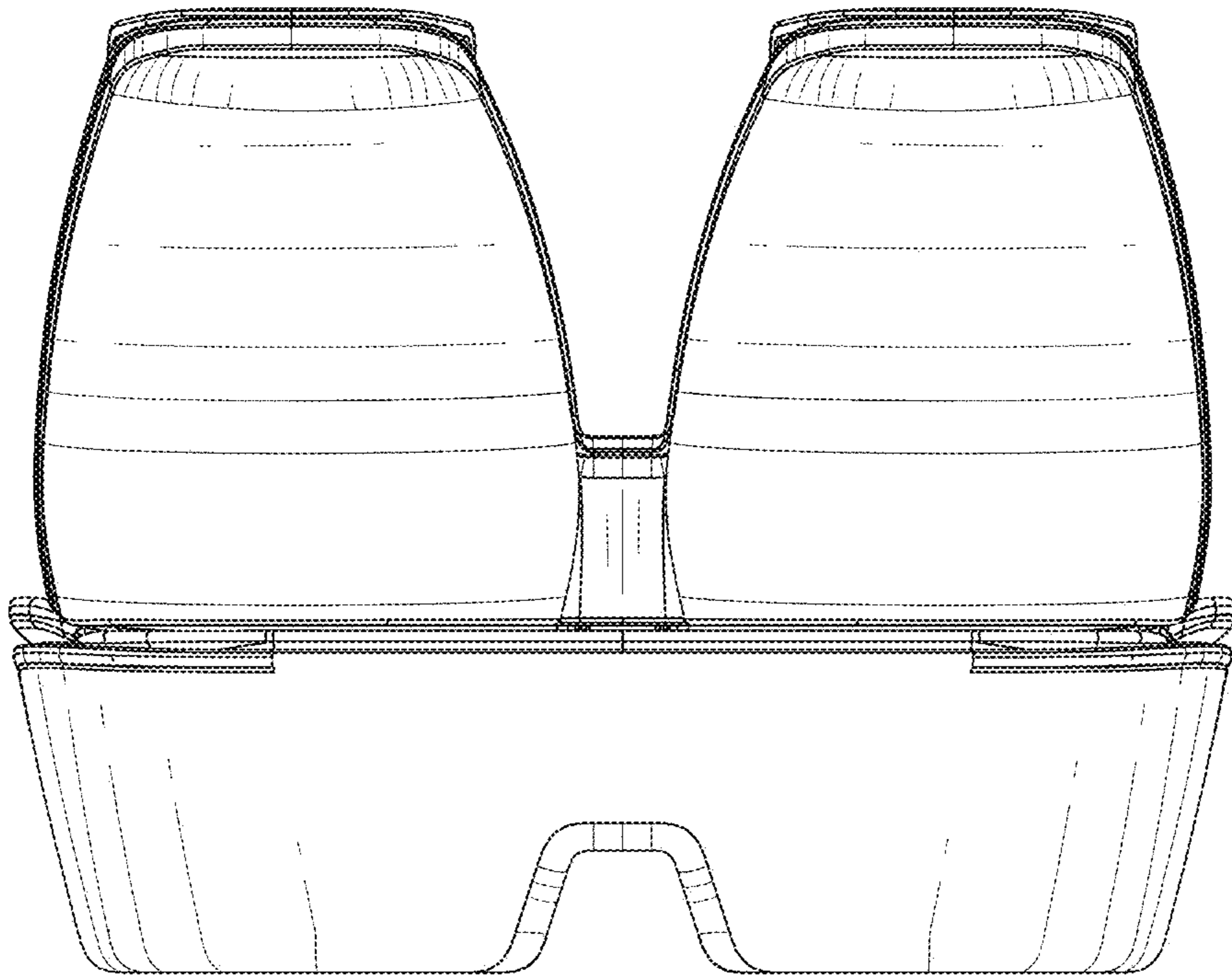


FIG. 2

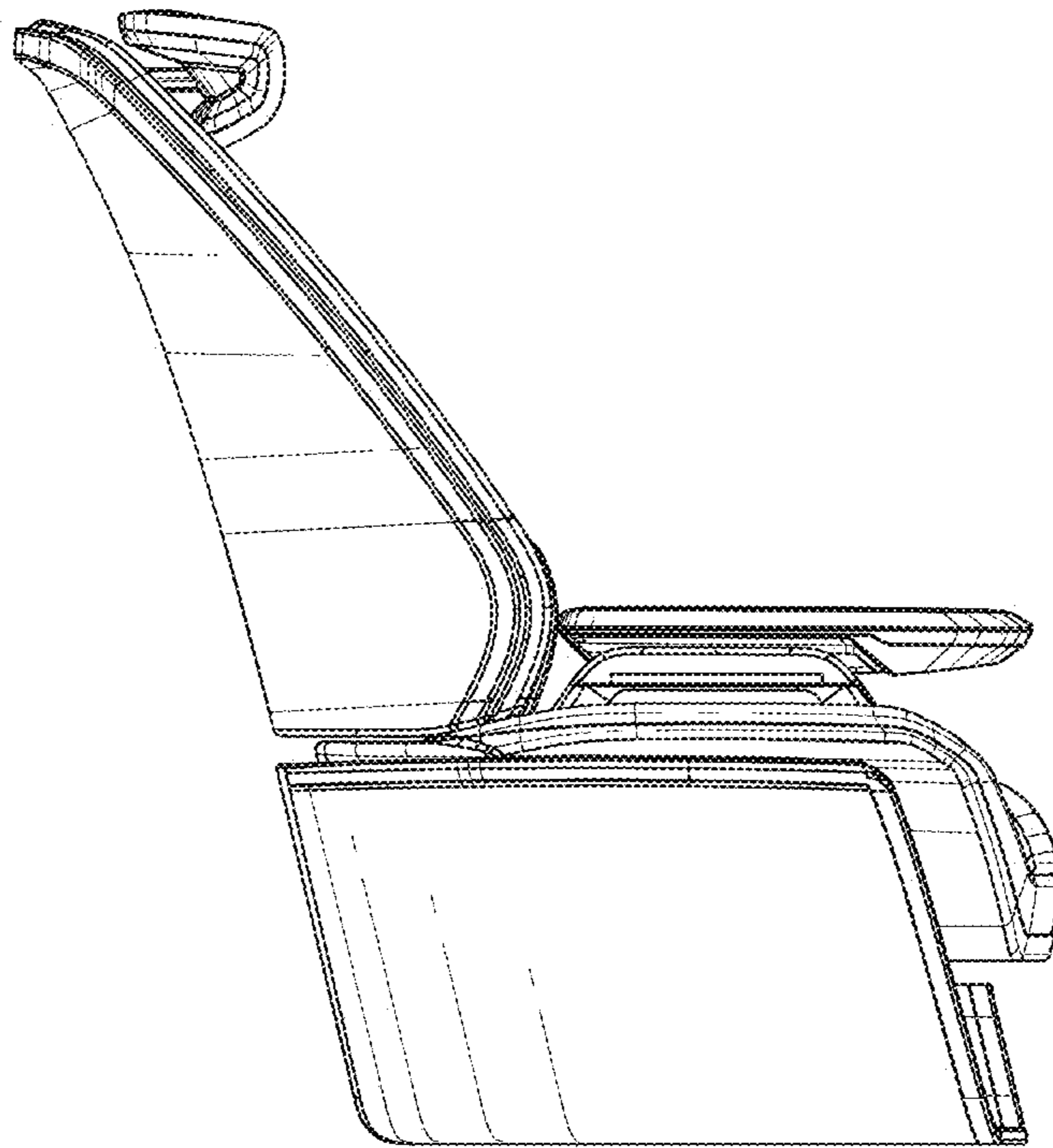


FIG.3

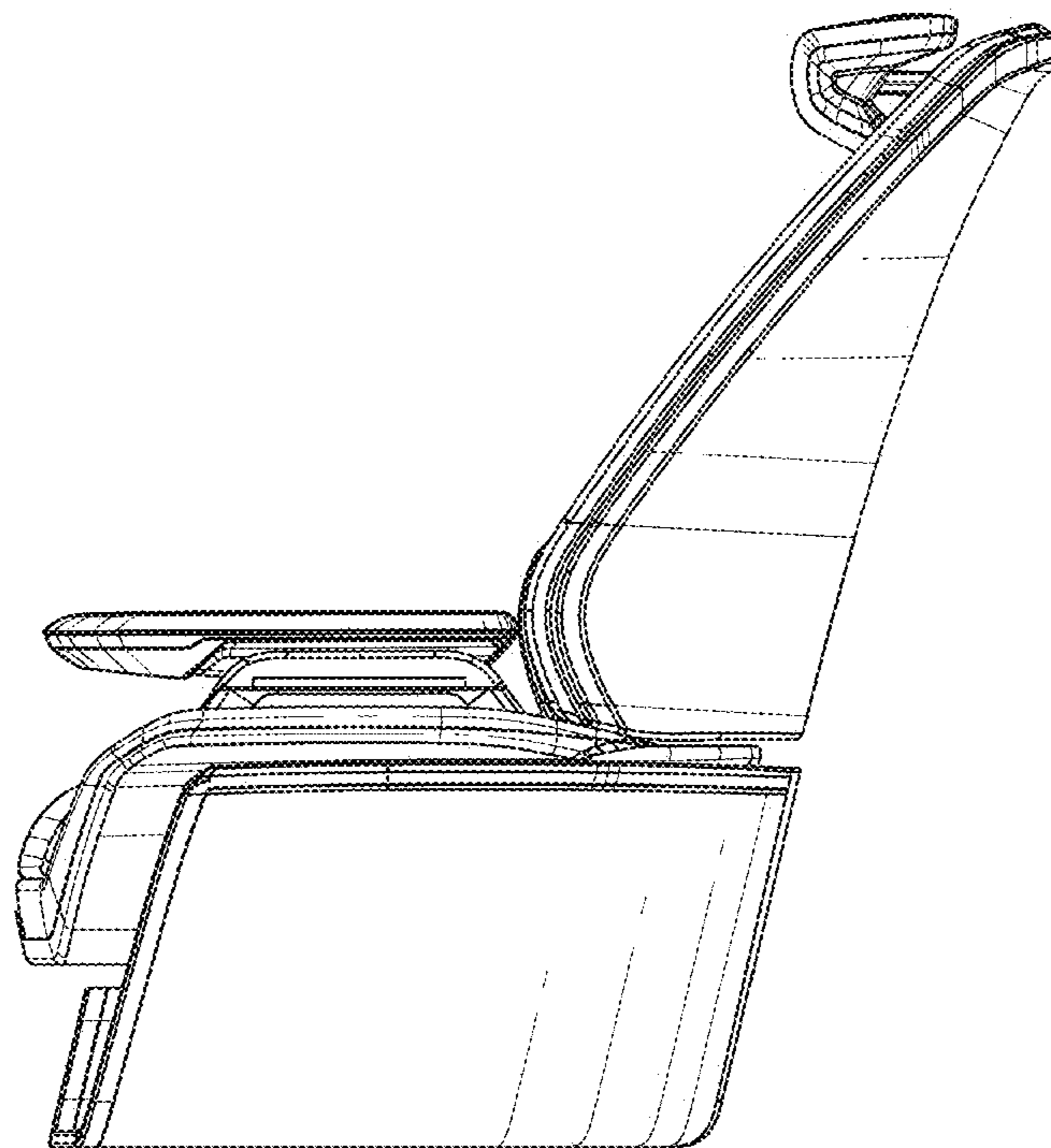


FIG.4

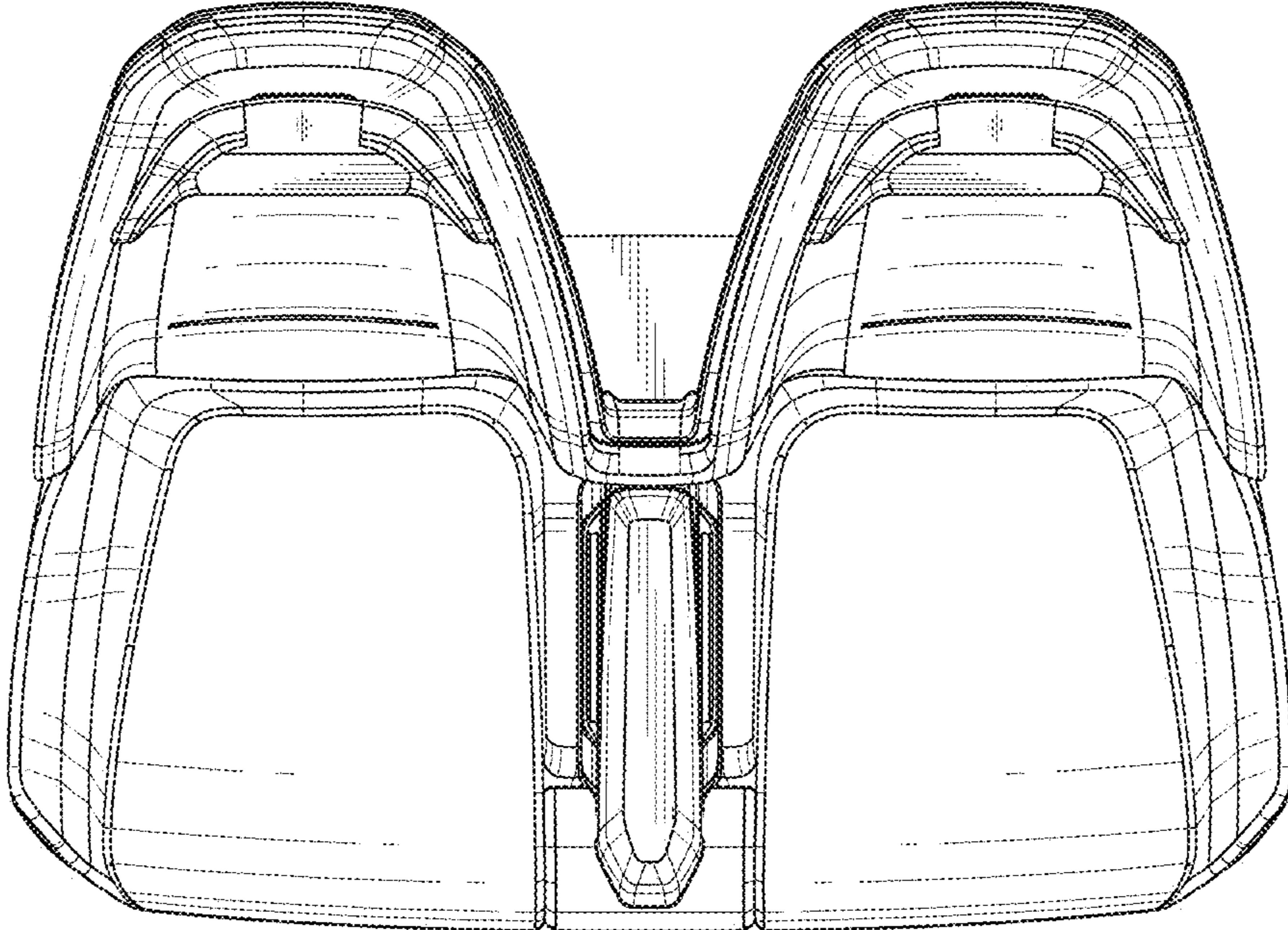


FIG.5

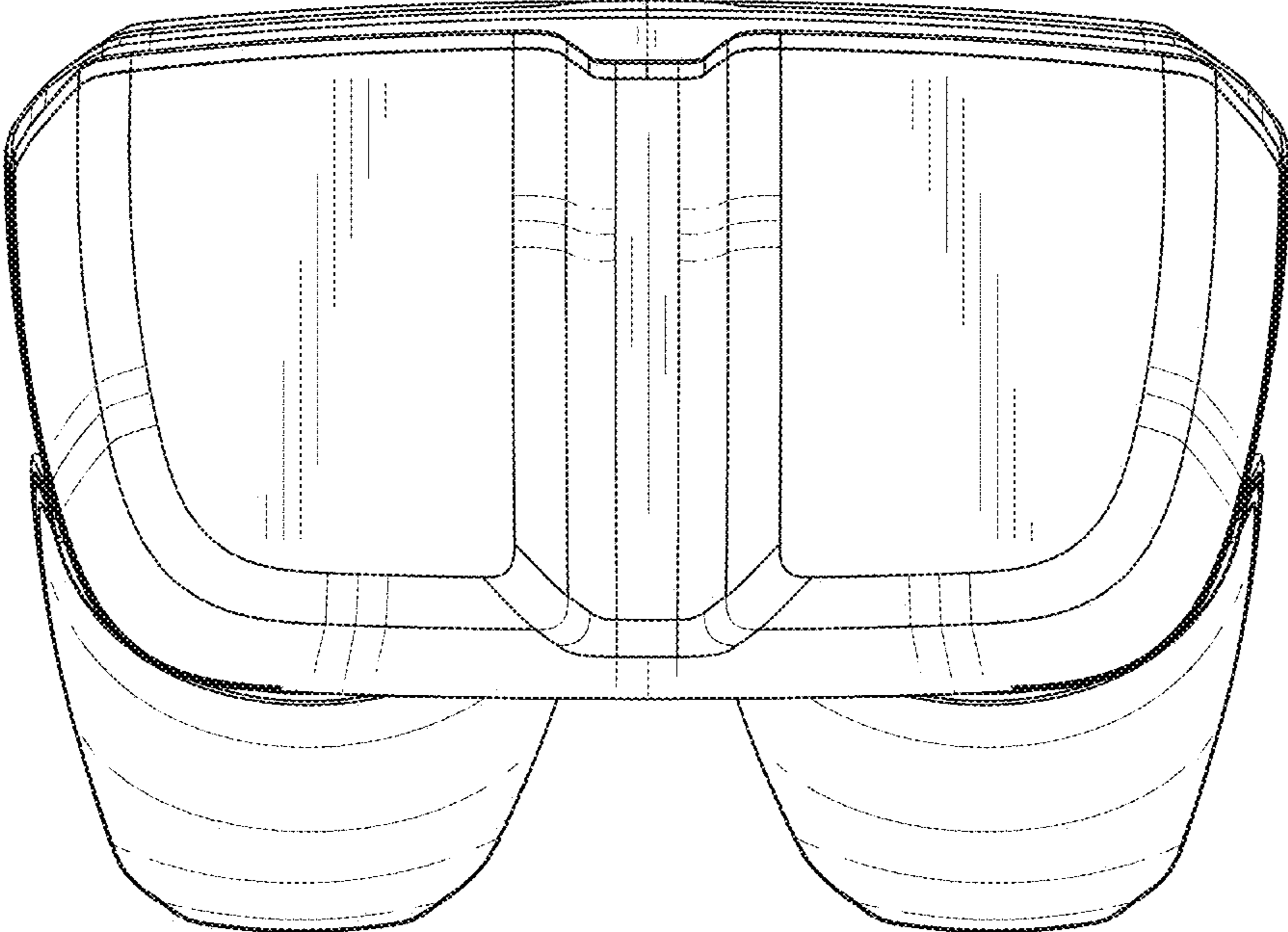


FIG.6

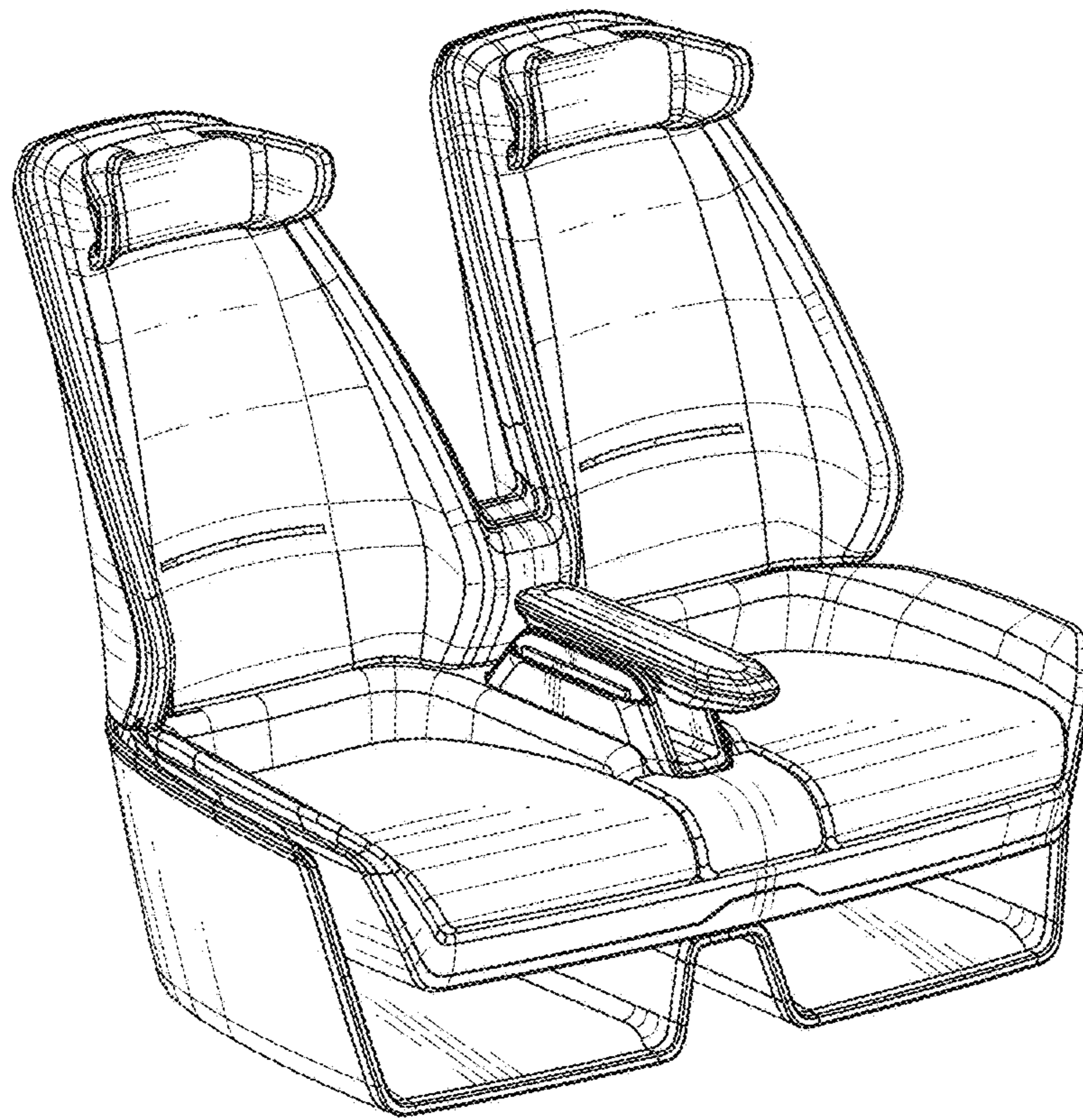


FIG. 7

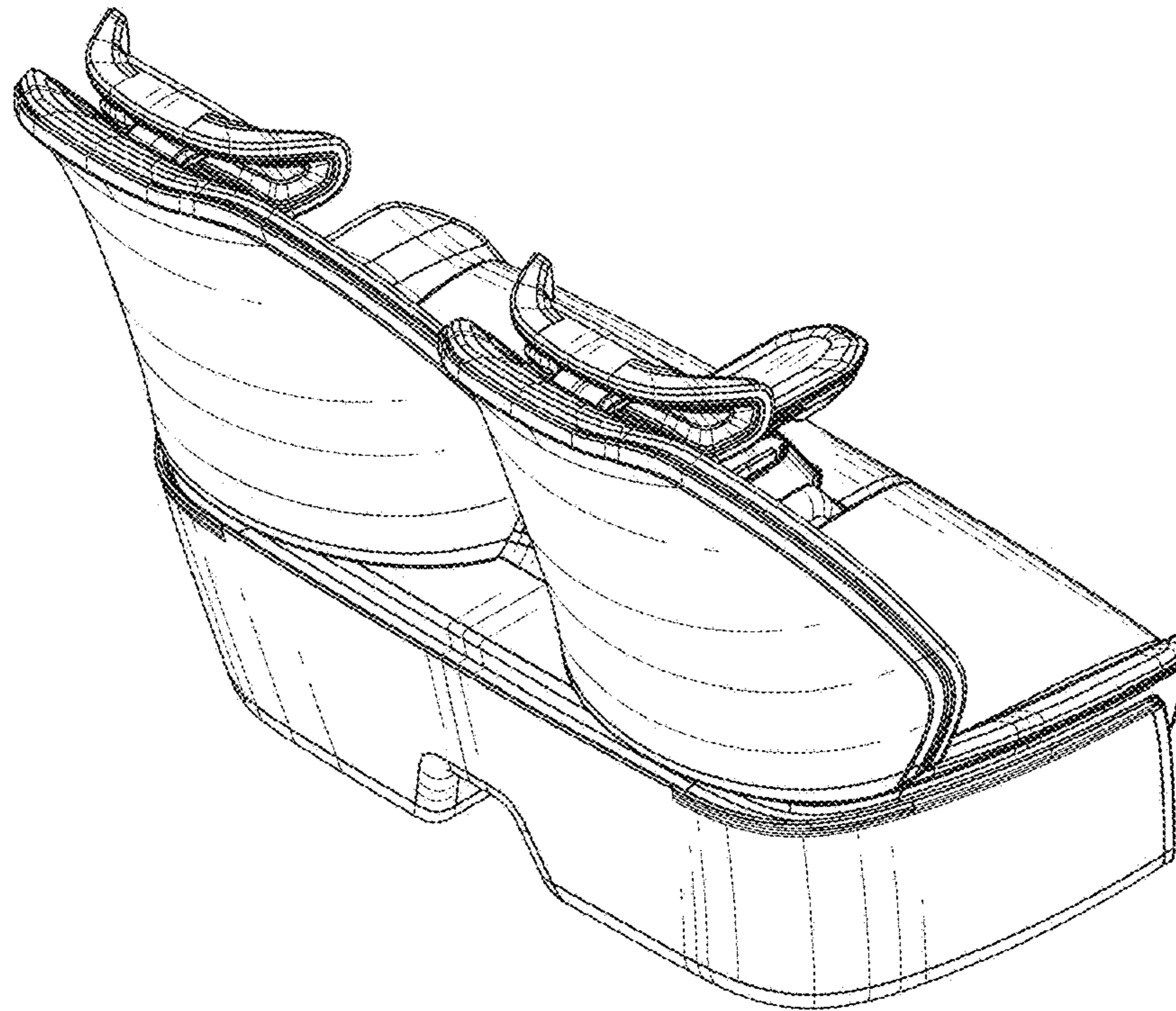


FIG. 8