

US00D937588S

(12) **United States Design Patent** (10) **Patent No.:** **US D937,588 S**
Heroux (45) **Date of Patent:** **** Dec. 7, 2021**

- (54) **BELT HANGER**
- (71) Applicant: **Hip Innovations, LLC**, Calabasas, CA (US)
- (72) Inventor: **Steve Heroux**, Hidden Hills, CA (US)
- (73) Assignee: **HIP INNOVATIONS. LLC**, Calabasas, CA (US)
- (**) Term: **15 Years**
- (21) Appl. No.: **29/676,737**
- (22) Filed: **Jan. 14, 2019**
- (51) **LOC (13) Cl.** **06-08**
- (52) **U.S. Cl.**
USPC **D6/315**
- (58) **Field of Classification Search**
USPC D3/215; D6/315, 317
CPC A47G 25/18; A47G 25/28; A47G 25/30;
A47G 25/32; A47G 25/44; A47G 25/74
See application file for complete search history.

- 4,972,961 A * 11/1990 Roesch A47G 25/18
211/116
- D320,118 S * 9/1991 Testa D6/317
- 5,421,465 A * 6/1995 Dunner, Jr. A47G 25/743
211/115
- D365,214 S * 12/1995 Wilcox D6/315
- D378,475 S * 3/1997 Brown D6/315
- 5,836,486 A 11/1998 Ohsugi
- D433,821 S * 11/2000 Brutus D6/317
- 6,302,281 B1 * 10/2001 Wang A47B 43/00
190/13 R
- D472,063 S * 3/2003 Weichert D6/315
- D486,309 S * 2/2004 Abdi D6/315
- 6,758,378 B2 * 7/2004 Carmichael A47G 25/16
223/85
- D499,255 S * 12/2004 Goodman D6/317
- D541,056 S * 4/2007 Magwood D6/315
- D586,567 S * 2/2009 Heroux D6/323
- D606,323 S * 12/2009 Heroux D6/323
- D632,898 S * 2/2011 Heroux D6/327

(Continued)

Primary Examiner — Steven J Czyz
 (74) *Attorney, Agent, or Firm* — Cislo & Thomas, LLP

(57) **CLAIM**

The ornamental design for a belt hanger, as shown and described.

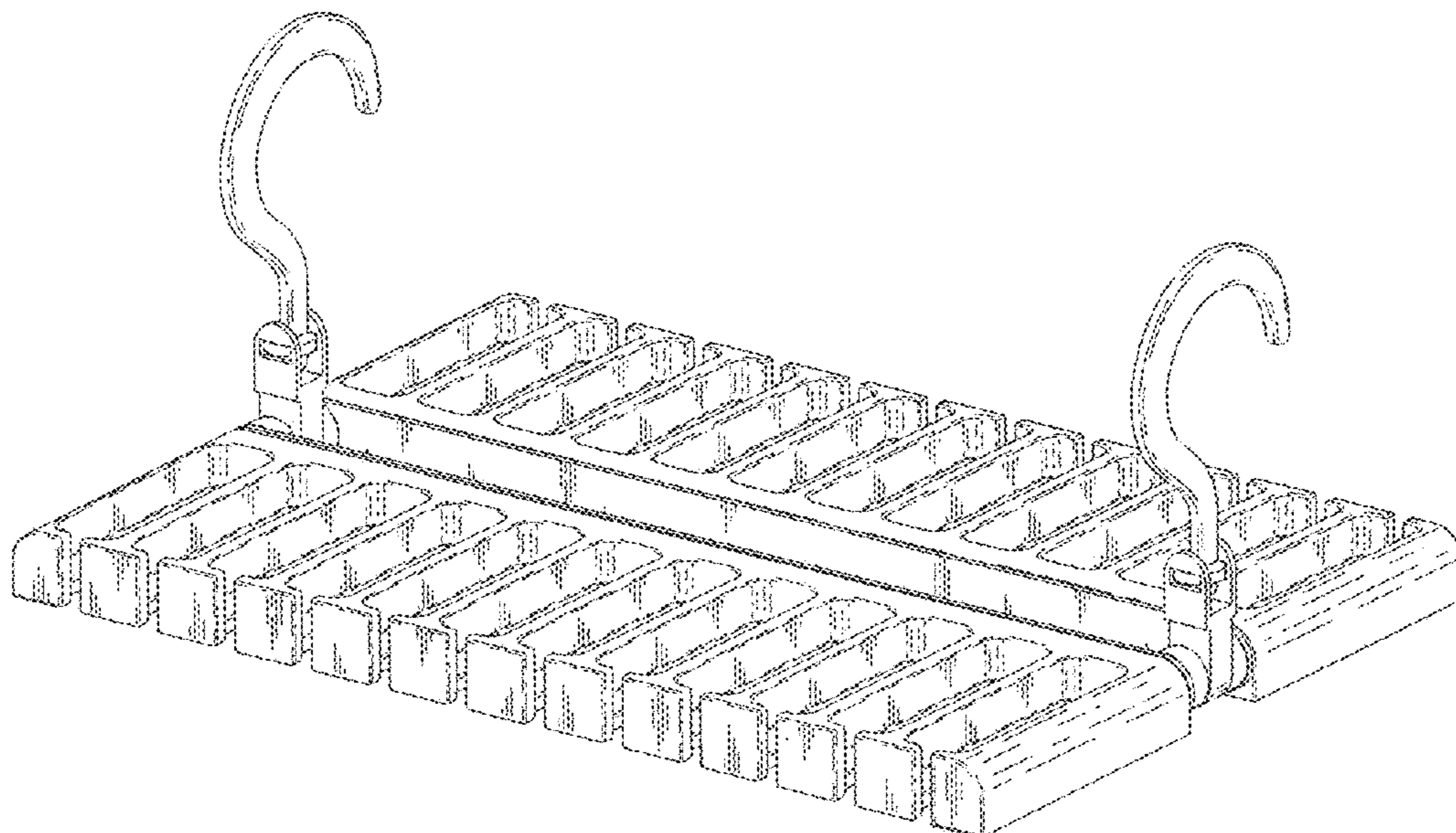
DESCRIPTION

FIG. 1 is a perspective view of a belt hanger;
 FIG. 2 is a front view thereof;
 FIG. 3 is a rear view thereof;
 FIG. 4 is a left side view thereof;
 FIG. 5 is a right side view thereof;
 FIG. 6 is a top view thereof;
 FIG. 7 is a bottom view thereof; and,
 FIG. 8 is a perspective view of the belt hanger shown in use.
 The broken lines depict portions of the article and environment that form no part of the claimed design.

1 Claim, 6 Drawing Sheets

(56) **References Cited**
 U.S. PATENT DOCUMENTS

- 643,818 A * 2/1900 Headland et al. ... A47G 25/743
211/113
- 1,618,157 A 2/1927 Harmon
- 2,557,627 A * 6/1951 Baril A47G 25/18
211/113
- D183,499 S * 9/1958 Simpson et al. D32/58
- D190,608 S * 6/1961 Forrester et al. D8/372
- 3,951,270 A * 4/1976 Kiss A47F 5/01
211/119
- 4,129,218 A * 12/1978 Koellner A47G 25/18
211/116
- D281,931 S * 12/1985 Arnold D6/317
- 4,863,043 A * 9/1989 Bowen A47G 25/74
211/113
- 4,872,568 A 10/1989 Lehmann



(56)

References Cited

U.S. PATENT DOCUMENTS

8,141,722 B2 * 3/2012 Heroux A47G 25/1457
 211/113
 D704,458 S * 5/2014 Berger D6/315
 D717,551 S * 11/2014 Berger D6/328
 D723,289 S * 3/2015 Goodman D6/315
 D723,789 S 3/2015 Bludau
 9,492,025 B1 * 11/2016 Wu A47G 25/18
 D808,179 S * 1/2018 Heroux D6/323
 D811,754 S * 3/2018 Heroux D6/315
 D818,236 S * 5/2018 Choi D32/58
 D830,707 S * 10/2018 Tsai D6/317
 D834,336 S * 11/2018 Mustafa D6/315
 D836,923 S * 1/2019 Zeng D6/315
 D852,518 S * 7/2019 Heroux D6/315
 D863,791 S * 10/2019 Feng D6/315
 D864,558 S * 10/2019 Heroux D3/215
 2009/0057166 A1 3/2009 Nelson
 2010/0051654 A1 * 3/2010 Thompson A47G 25/0685
 223/88
 2015/0076094 A1 * 3/2015 Allahverdian A47G 25/28
 211/105.1
 2016/0338519 A1 11/2016 Singleton
 2018/0055264 A1 * 3/2018 Mustafa A47G 25/1457

* cited by examiner

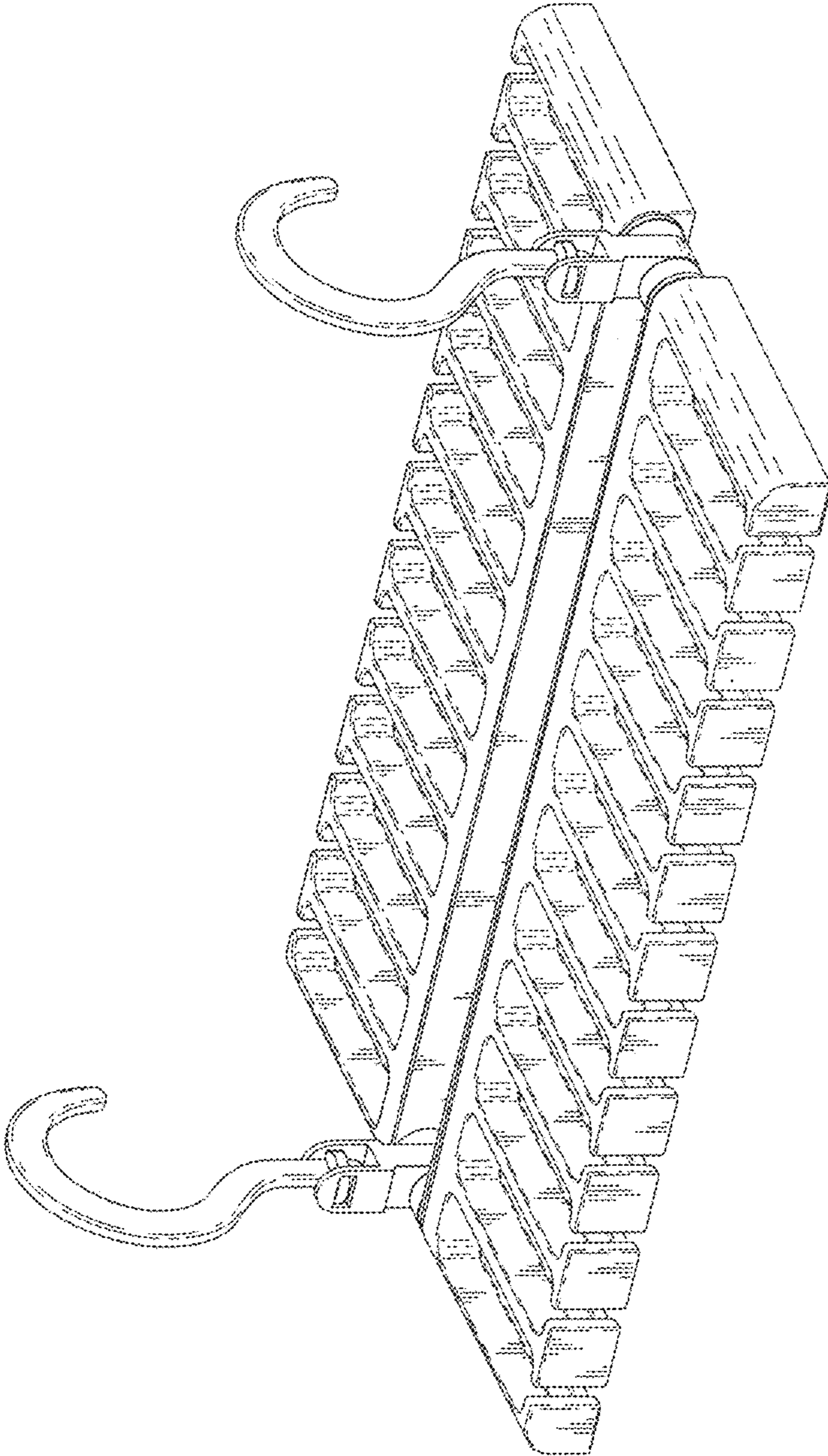


Fig. 1

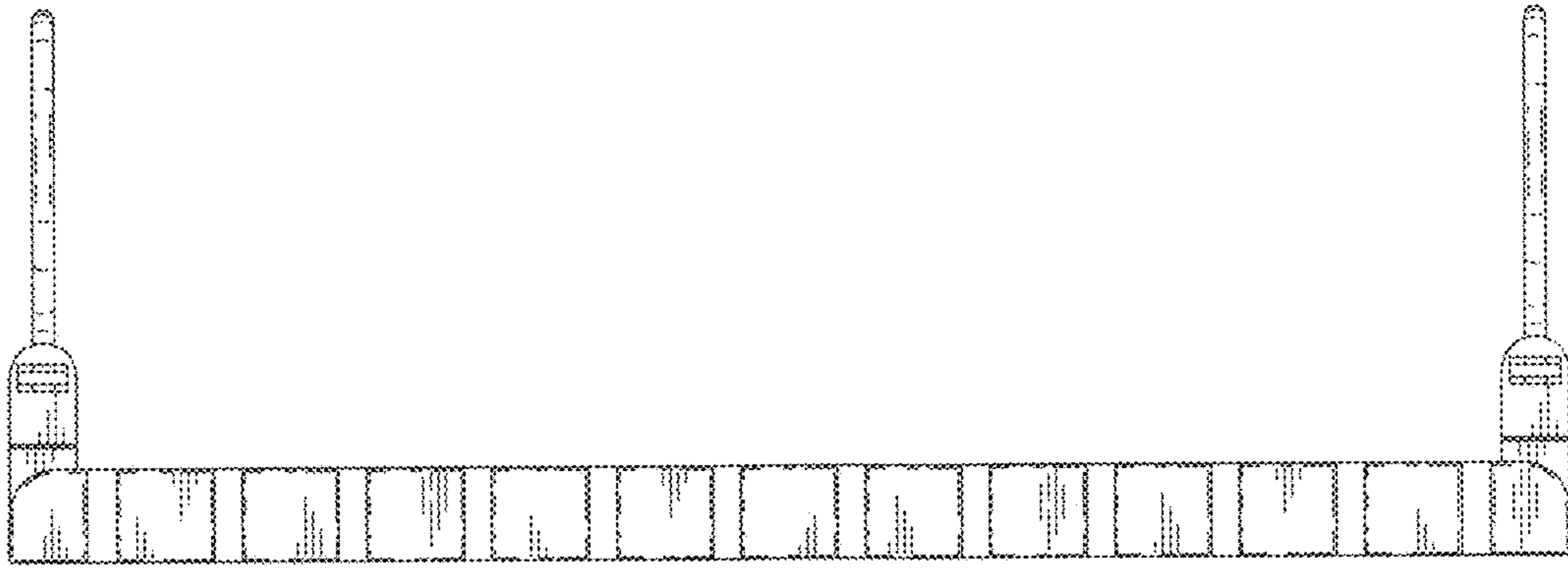


Fig. 2

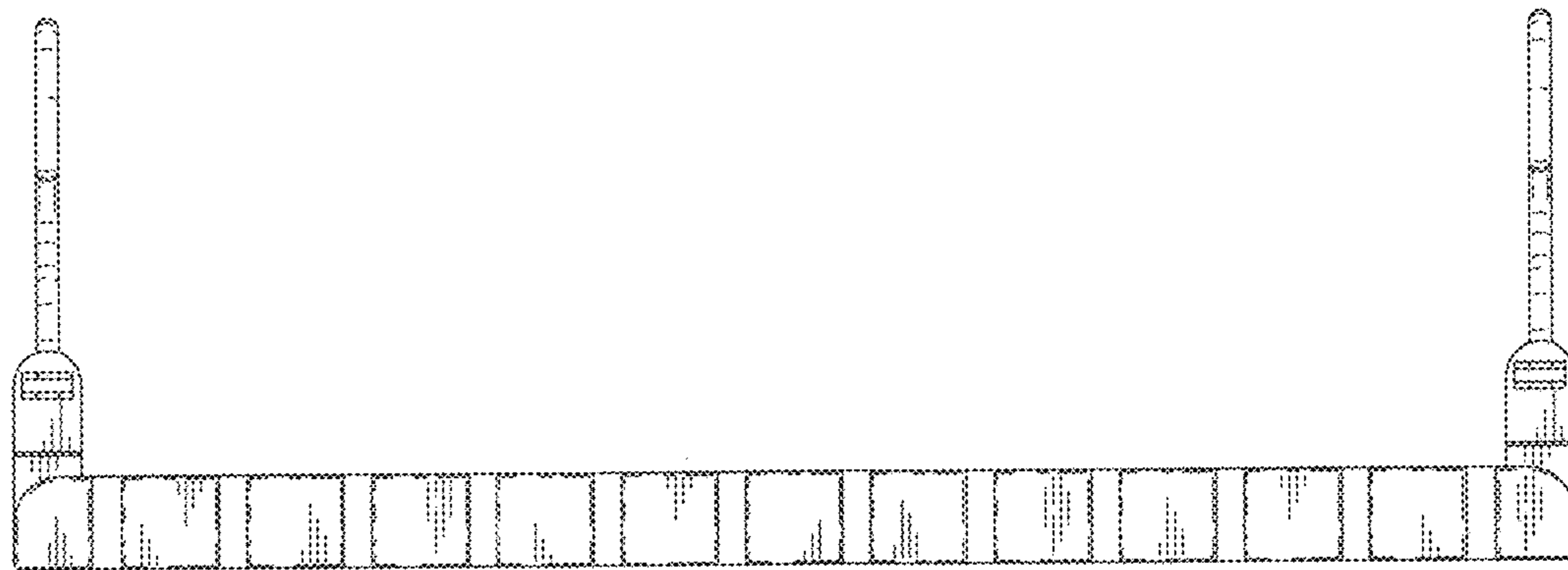


Fig. 3

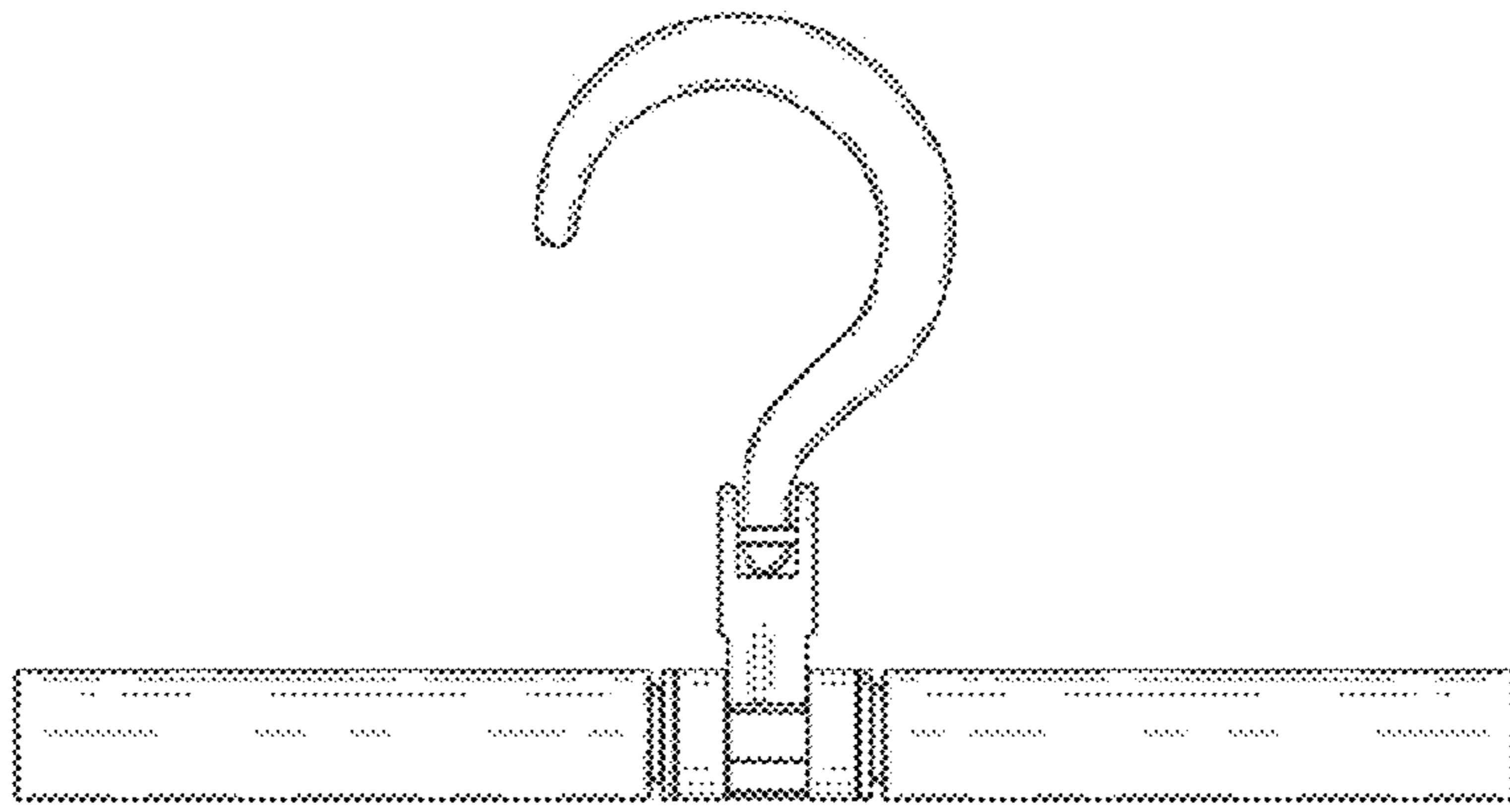


Fig. 4

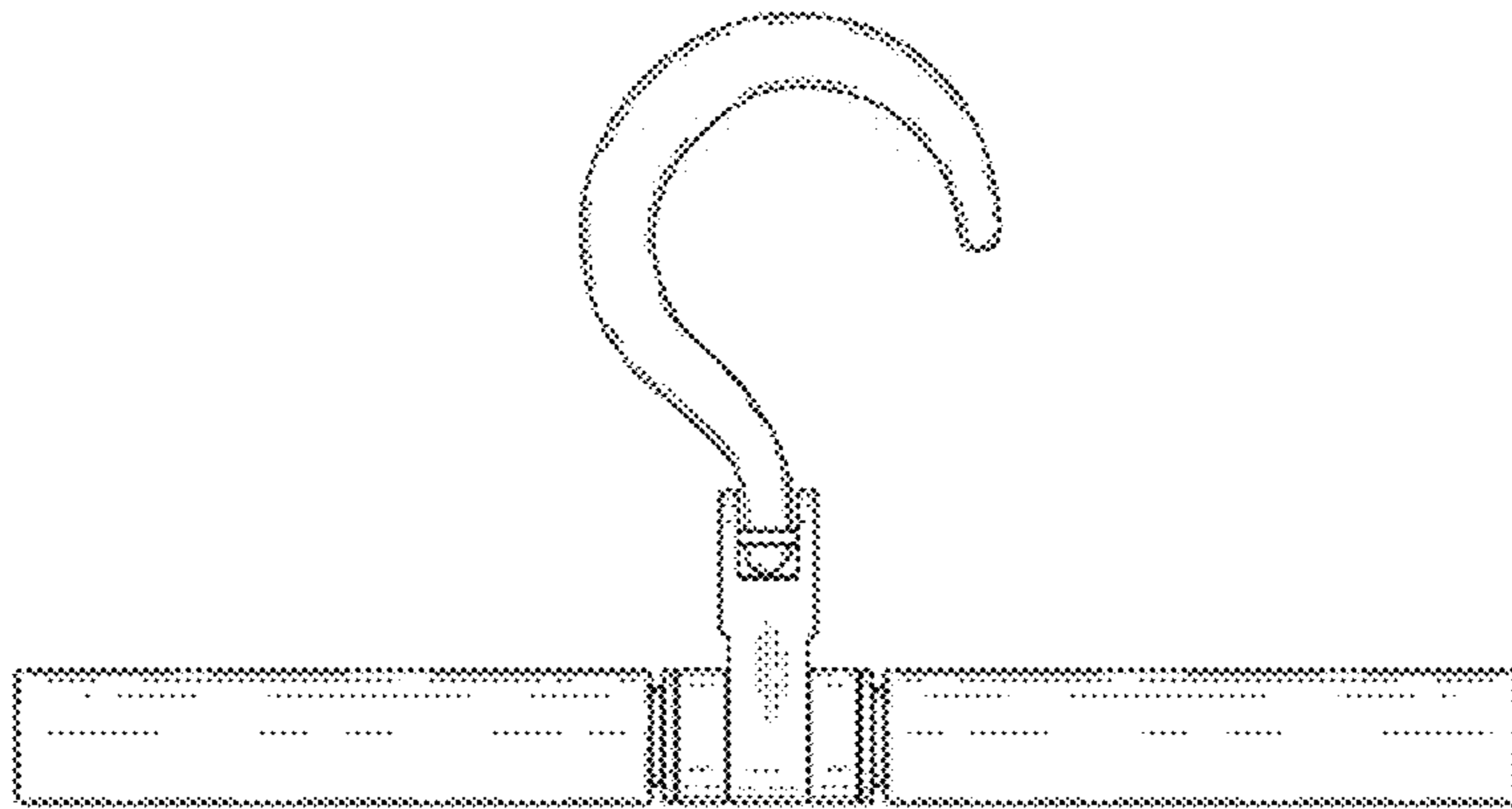


Fig. 5

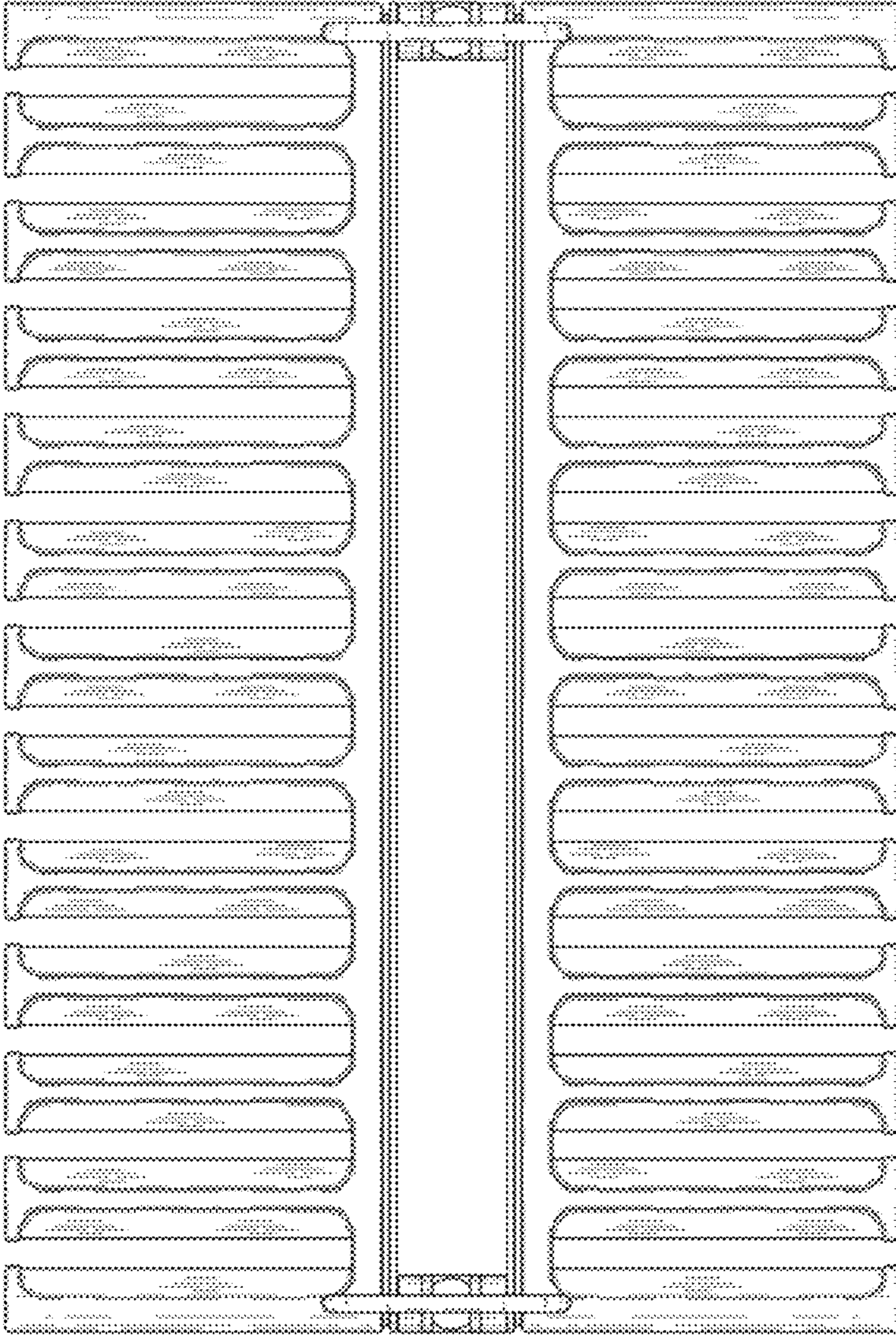


Fig. 6

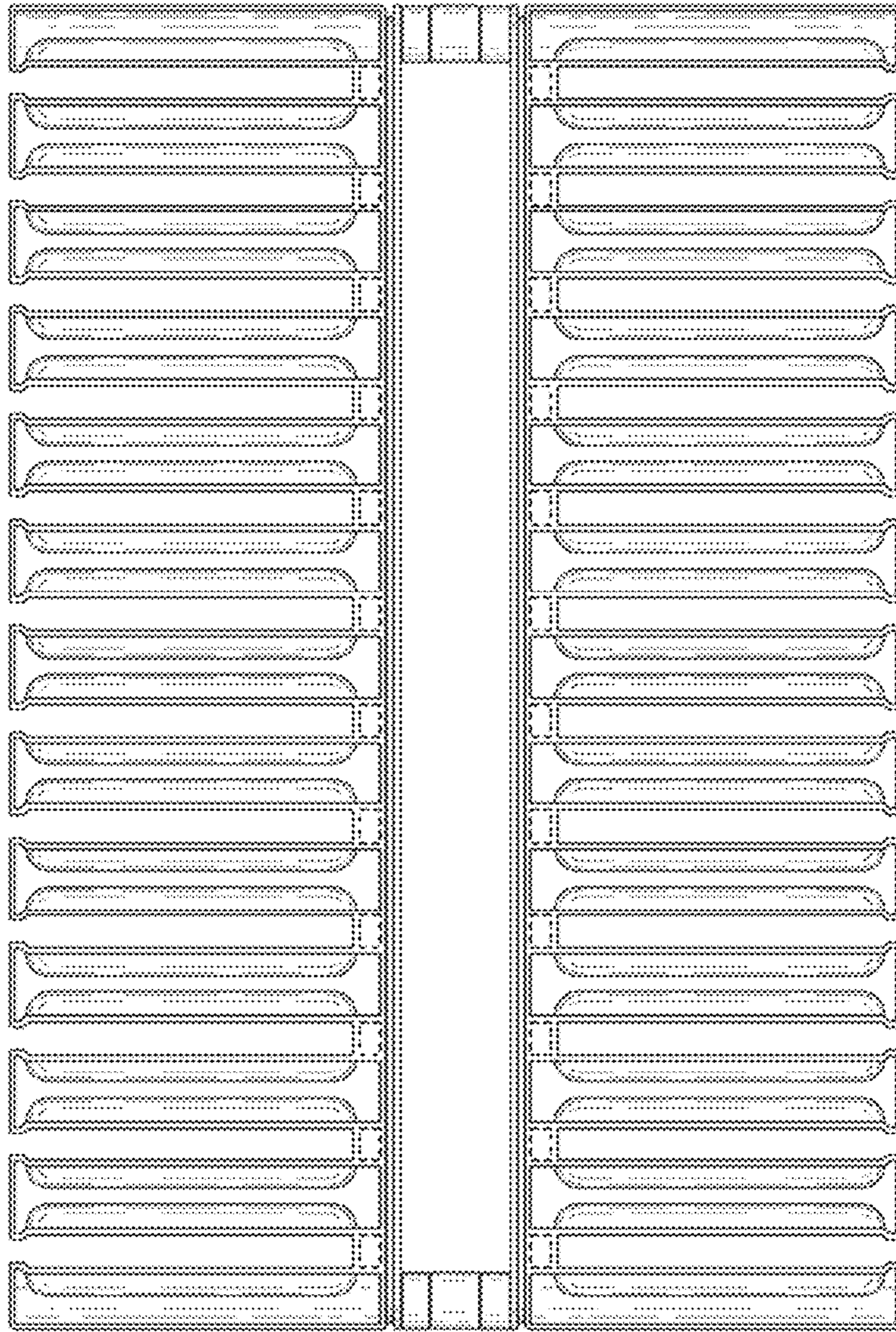


Fig. 7

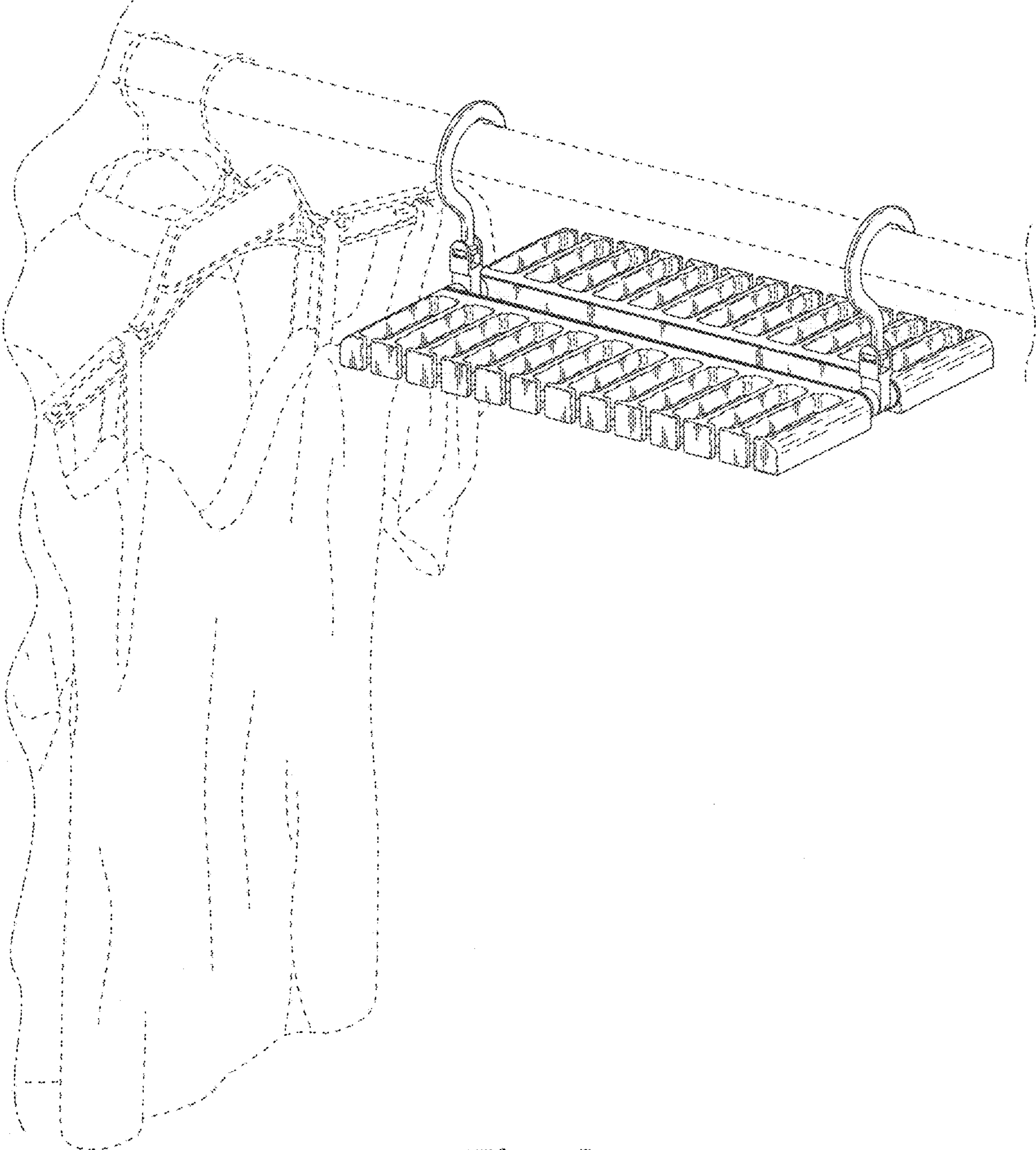


Fig. 8