



US00D937583S

(12) **United States Design Patent**
Lin

(10) **Patent No.:** **US D937,583 S**

(45) **Date of Patent:** **** Dec. 7, 2021**

(54) **COMBINATION ELECTRIC TOOTHBRUSH AND TRAVEL CASE**

(71) Applicant: **Show Charm Precision Electronics (Shenzhen) Co., LTD**, Guangdong (CN)

(72) Inventor: **Weixiong Lin**, Guangdong (CN)

(73) Assignee: **Show Charm Precision Electronics (Shenzhen) Co., LTD**, Shenzhen (CN)

(**) Term: **15 Years**

(21) Appl. No.: **29/769,997**

(22) Filed: **Feb. 9, 2021**

(51) **LOC (13) Cl.** **28-03**

(52) **U.S. Cl.**
USPC **D4/101; D4/116**

(58) **Field of Classification Search**
USPC D4/100, 101, 104, 105, 106, 107, 108, D4/110, 112, 113, 114, 116, 121, 127, D4/129, 130, 132, 134, 138, 199; D30/158, 159; D24/152, 176
CPC A46B 5/02; A46B 9/04; A46B 2200/1066
See application file for complete search history.

(56) **References Cited**

U.S. PATENT DOCUMENTS

3,463,994	A *	8/1969	Spohr	H02J 7/0042 320/115
D306,094	S *	2/1990	Carmichael	D3/205
D365,684	S *	1/1996	Loomis	D4/107
D403,510	S *	1/1999	Menke	D4/104
D422,143	S *	4/2000	Beals	D4/104
D425,306	S *	5/2000	Beals	D4/104
D457,718	S	5/2002	McDonald		
D474,034	S	5/2003	McCurrach et al.		
D568,052	S	5/2008	Taylor et al.		

7,546,658 B2 * 6/2009 Koeth A46B 5/0062
15/167.1
8,955,190 B2 * 2/2015 Ivory A46B 9/04
15/167.1
10,098,447 B2 * 10/2018 Newman A46B 9/02

(Continued)

Primary Examiner — Karen E Eldridge Powers

(57) **CLAIM**

The ornamental design for an combination electric toothbrush and travel case, as shown and described.

DESCRIPTION

FIG. 1 is a front, top and right side perspective view of a combination electric toothbrush and travel case, showing my new design, with the travel case being shown separately for clarity of illustration; and

FIG. 2 is a rear, bottom and left side perspective view thereof;

FIG. 3 is a front elevational view thereof;

FIG. 4 is a rear elevational view thereof;

FIG. 5 is a left side elevational view thereof;

FIG. 6 is a right side elevational view thereof;

FIG. 7 is a top plan view thereof;

FIG. 8 is a bottom plan view thereof;

FIG. 9 is a front, top and right side perspective view of the electric toothbrush, shown separately for clarity of illustration;

FIG. 10 is a front elevational view thereof;

FIG. 11 is a rear elevational view thereof;

FIG. 12 is a left side elevational view thereof;

FIG. 13 is a right side elevational view thereof;

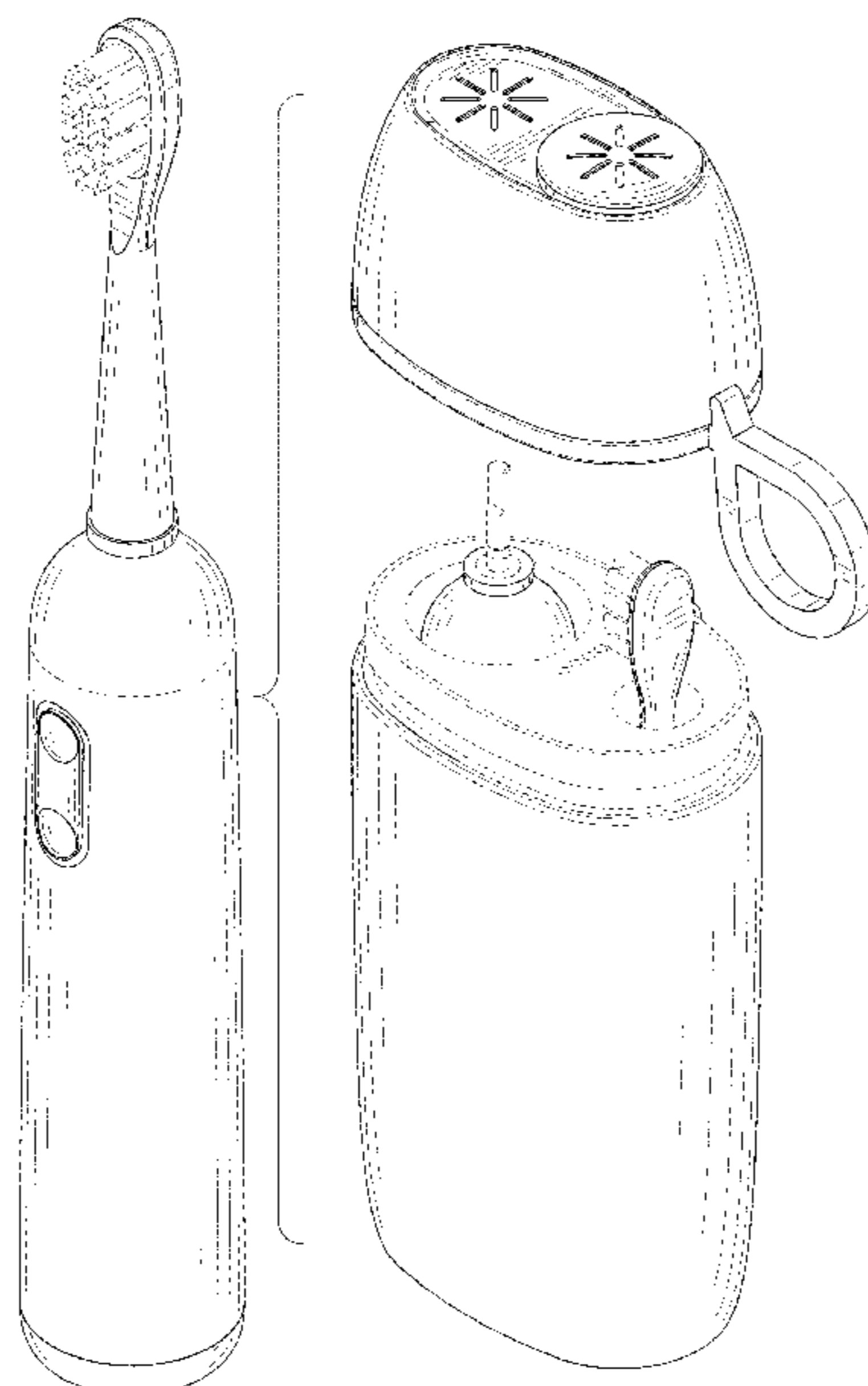
FIG. 14 is a top plan view thereof;

FIG. 15 is a bottom plan view thereof; and,

FIG. 16 is an exploded view of the combination electric toothbrush and travel case, thereof.

The broken lines in the drawings depict portions of the combination electric toothbrush and travel case that form no part of the claimed design.

1 Claim, 16 Drawing Sheets



(56)

References Cited

U.S. PATENT DOCUMENTS

D878,765 S * 3/2020 Wagner A61C 17/02
D4/101
D884,351 S * 5/2020 Albay D4/101
D891,115 S * 7/2020 Damavandi D4/101
D900,636 S 11/2020 Hyun
D906,688 S * 1/2021 Porter D4/104
D912,989 S * 3/2021 Albay D4/101
D930,988 S * 9/2021 Albay D4/101
2001/0003332 A1* 6/2001 Ventnor A47K 1/09
211/70.6
2020/0375349 A1* 12/2020 Farrell A46D 3/04

* cited by examiner

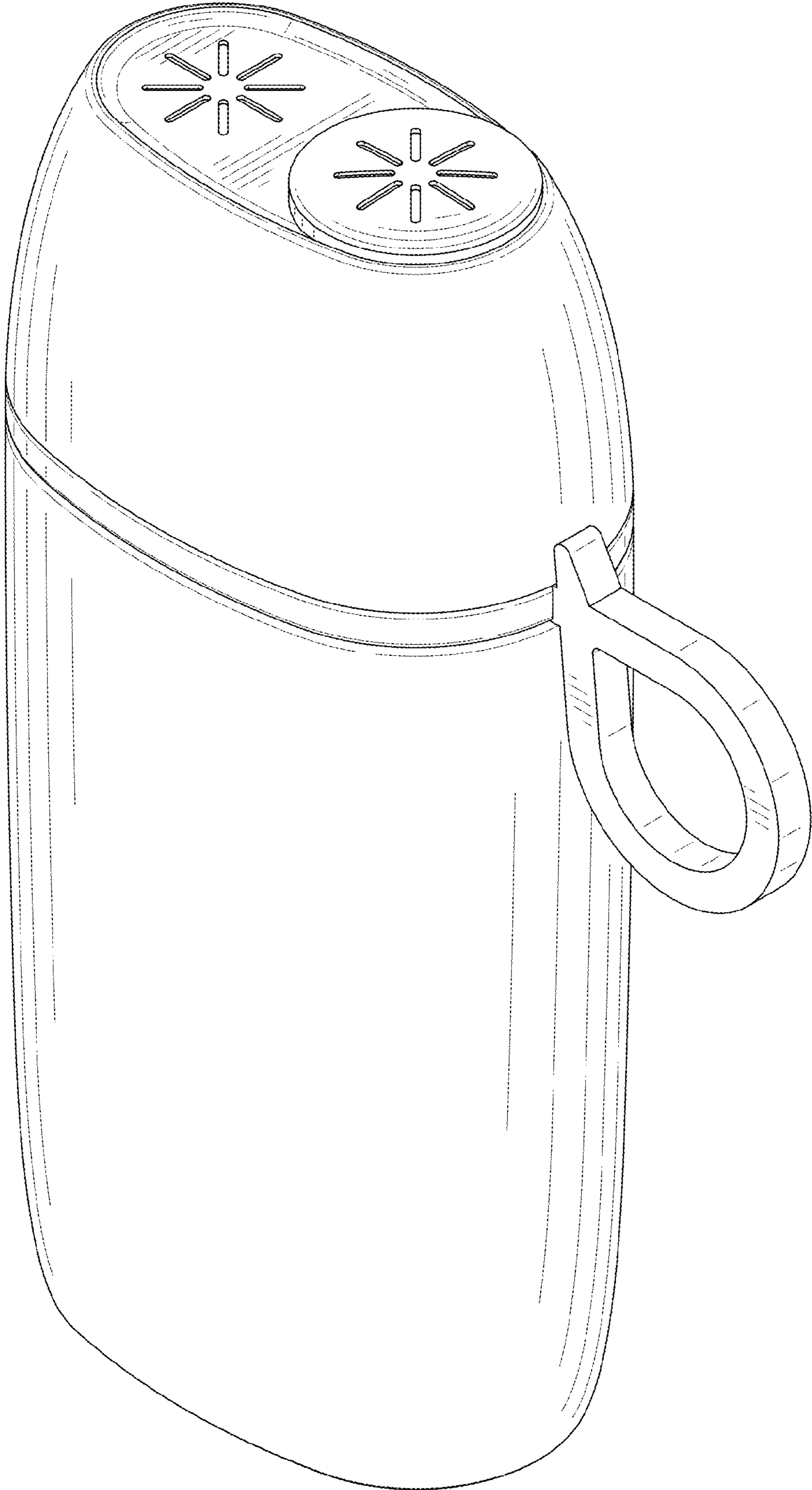


FIG. 1

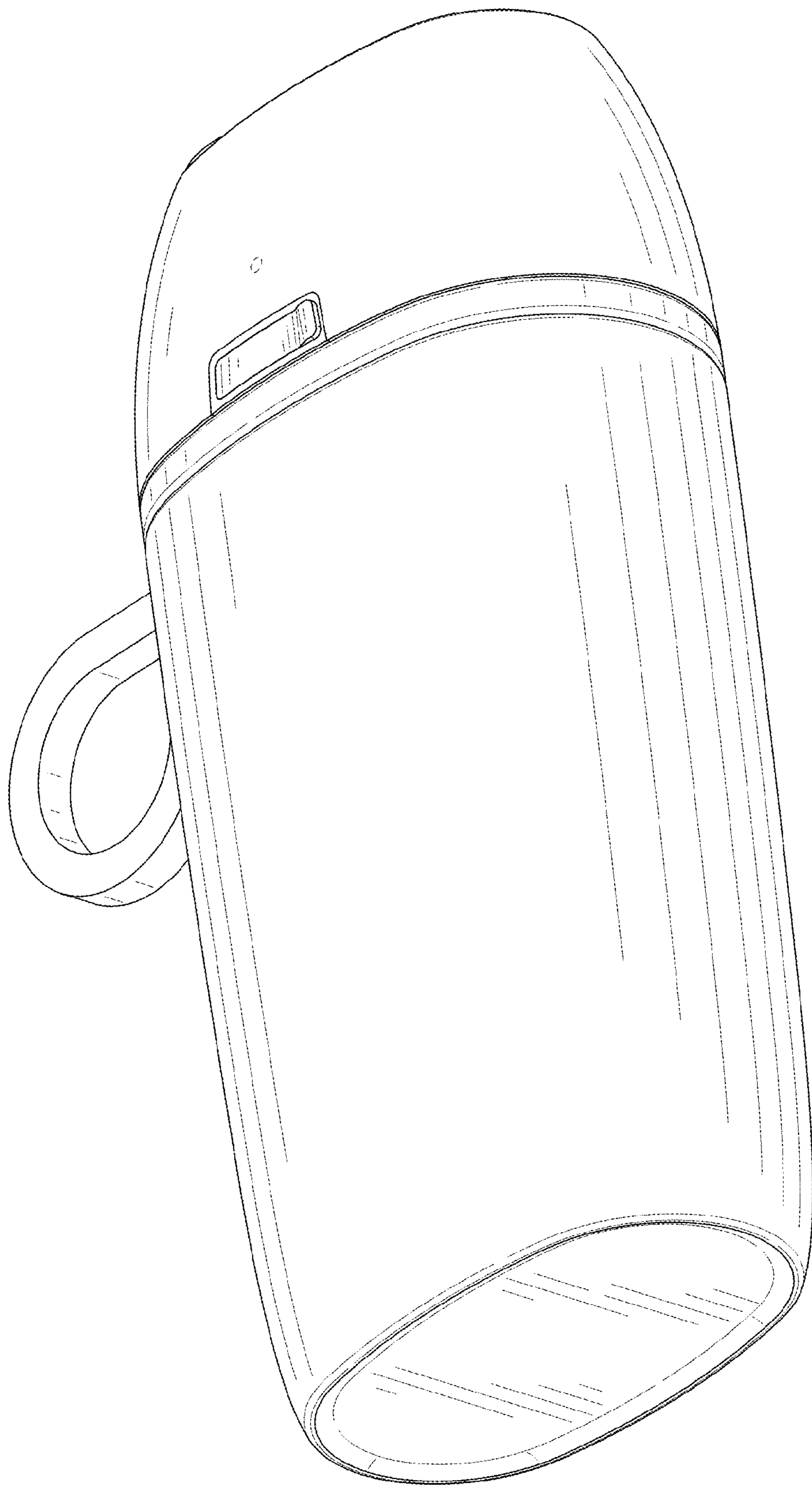


FIG. 2

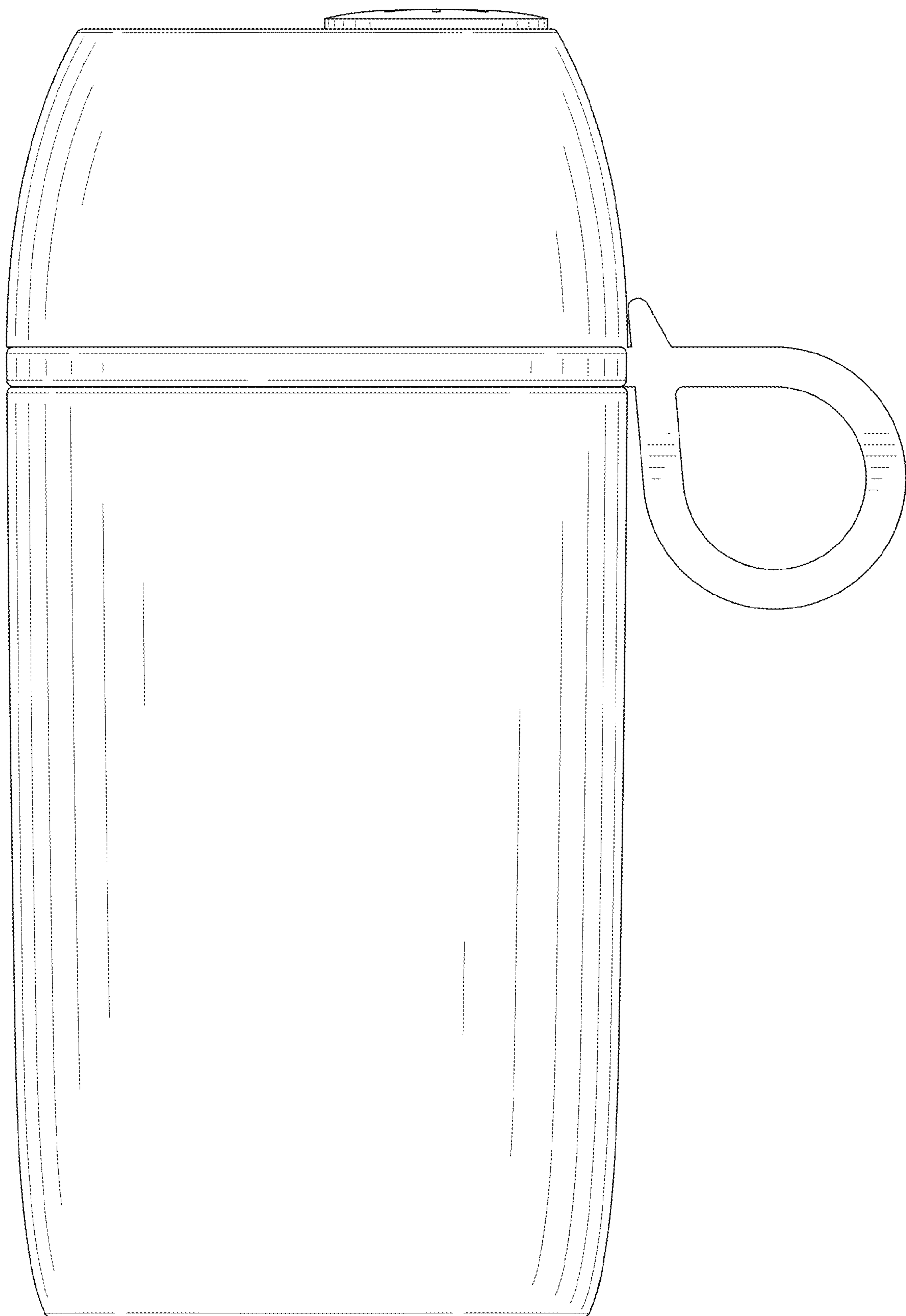


FIG. 3

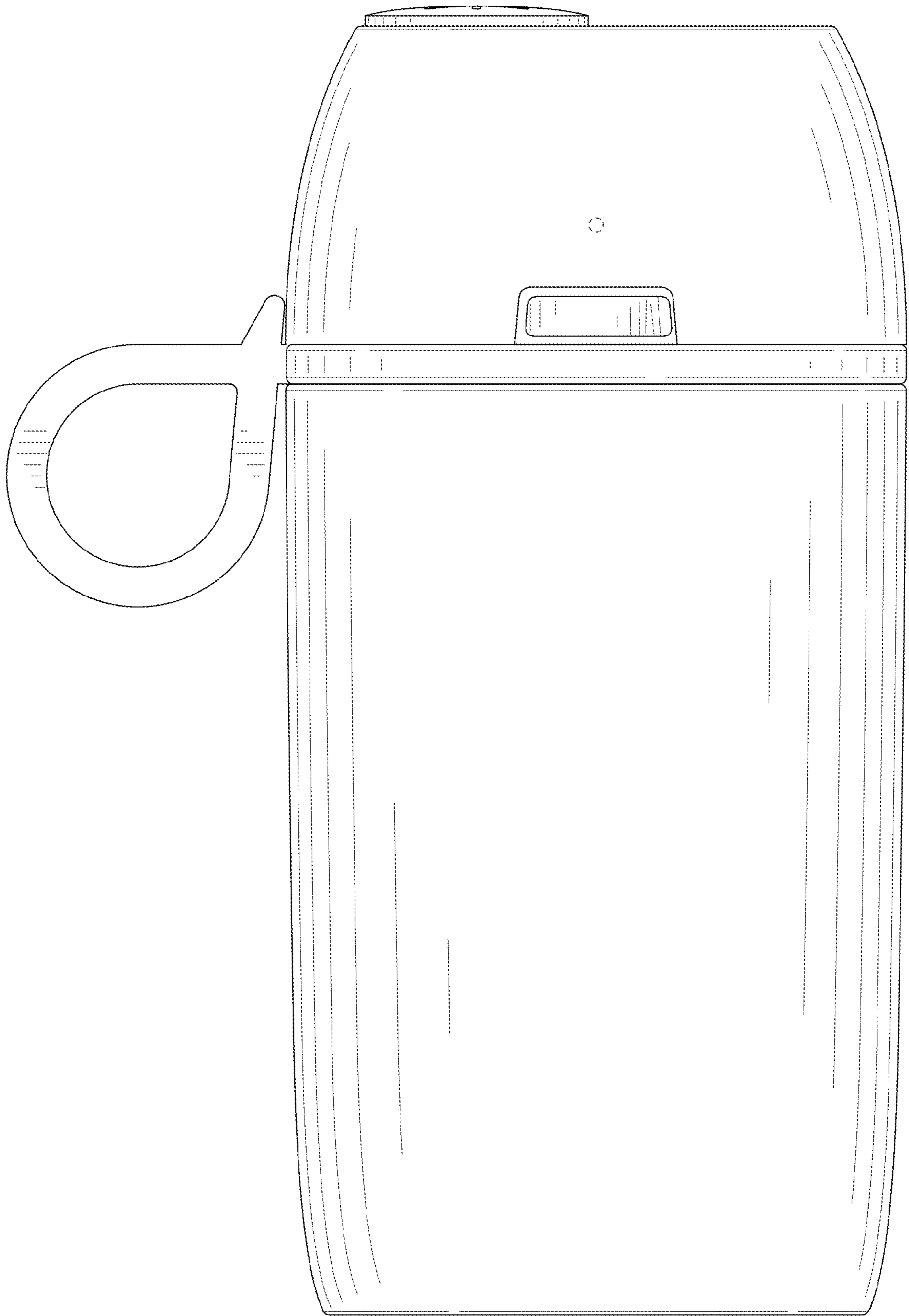


FIG. 4

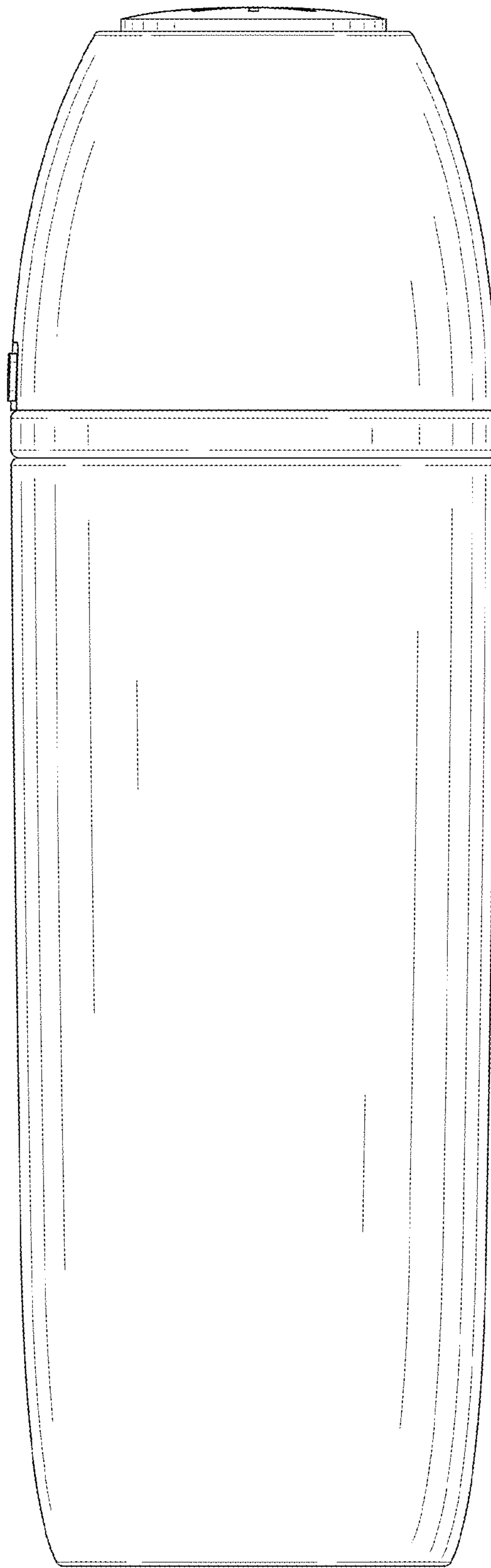


FIG. 5

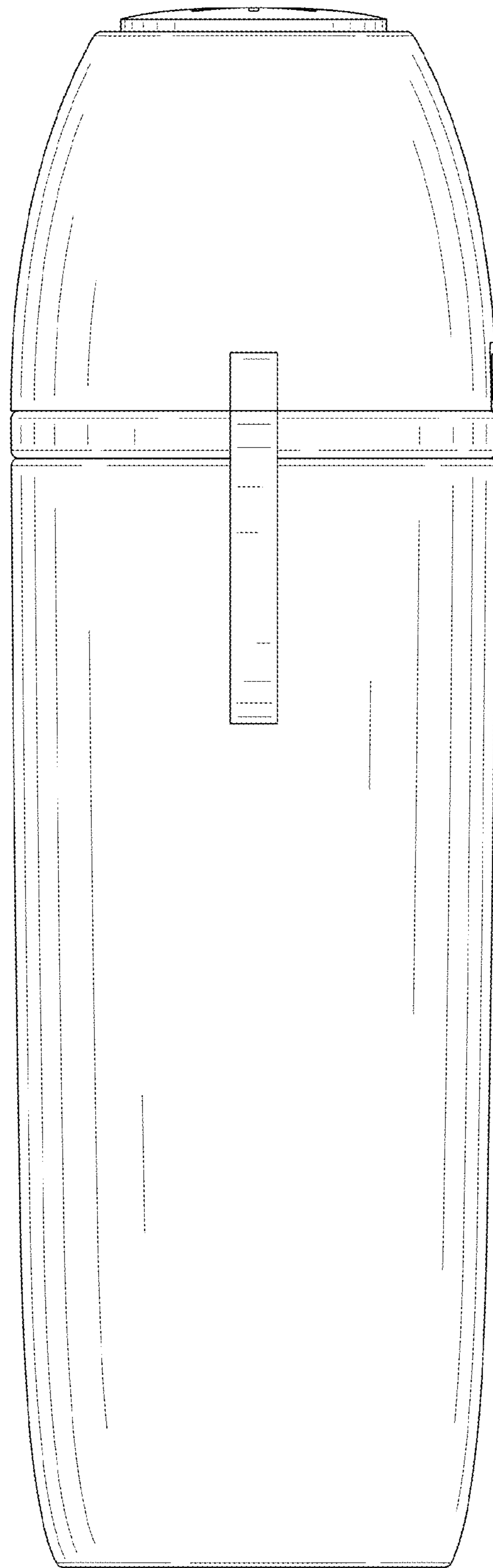


FIG. 6

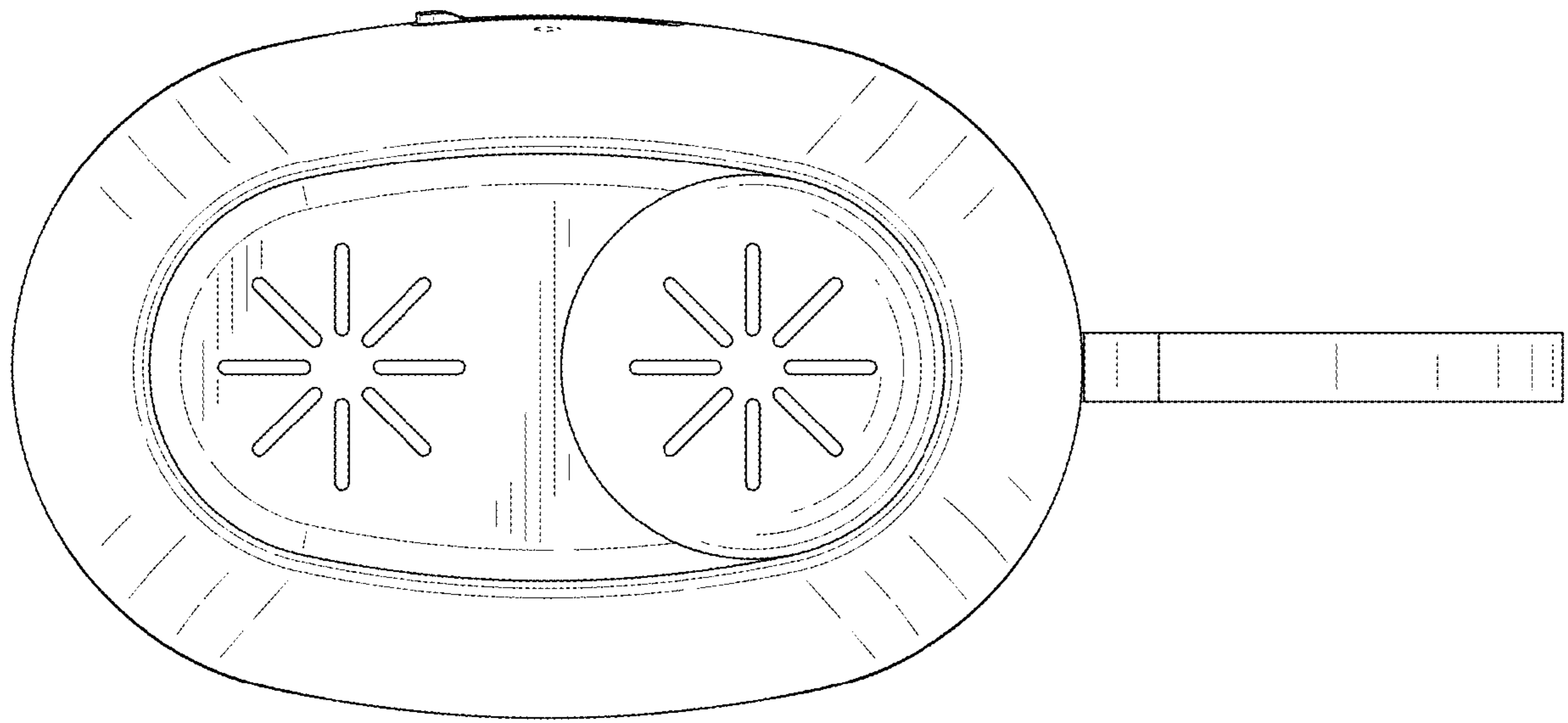


FIG. 7

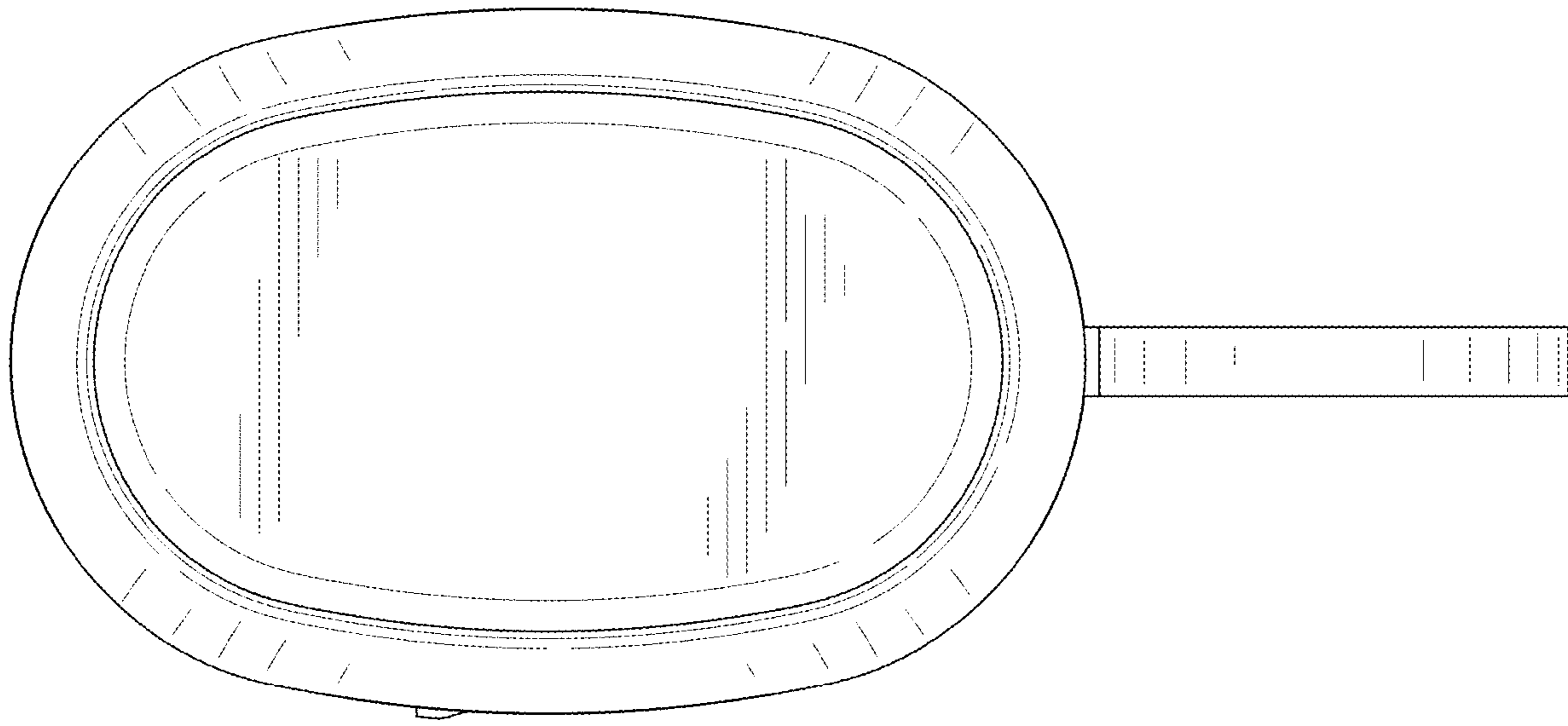


FIG. 8

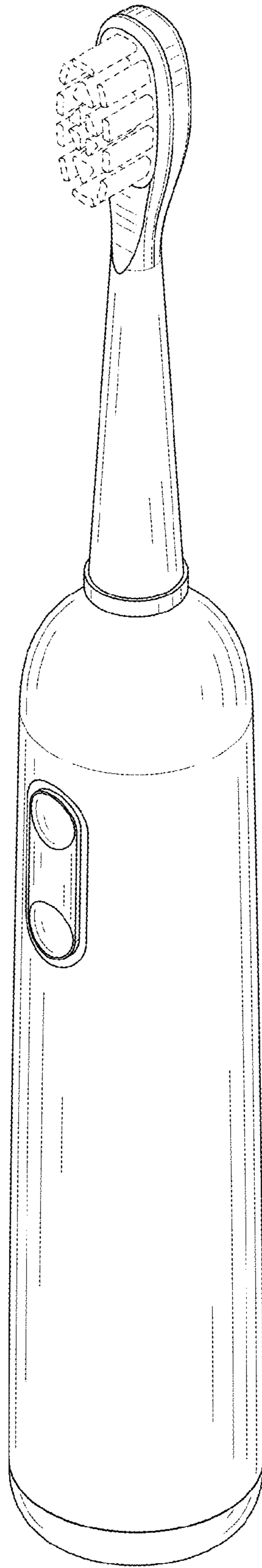


FIG. 9

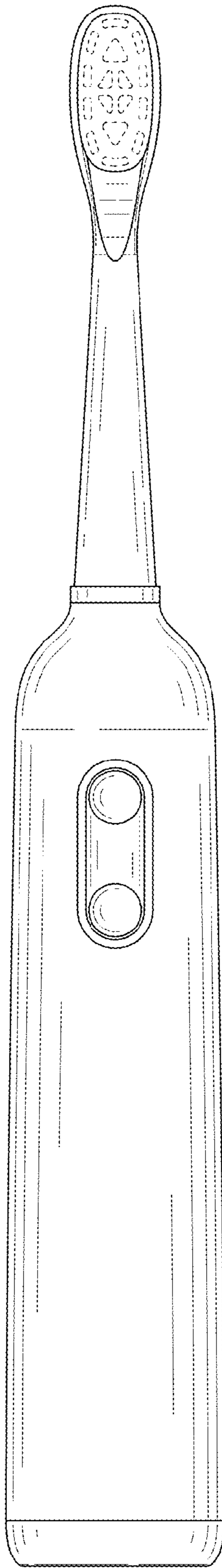


FIG. 10

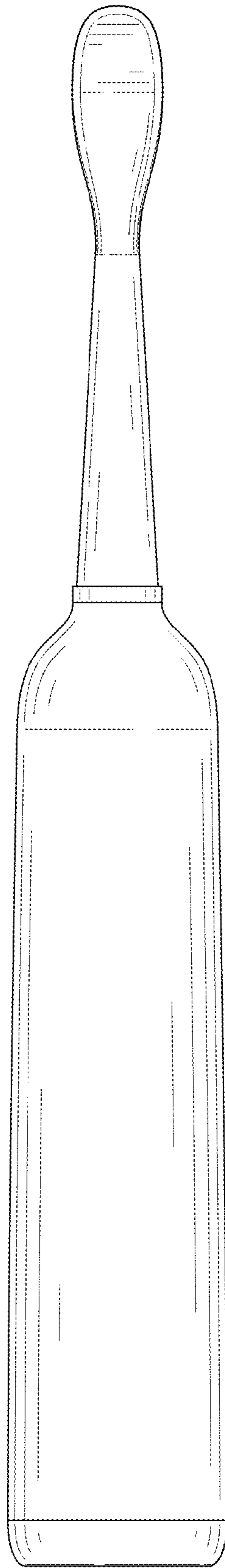


FIG. 11

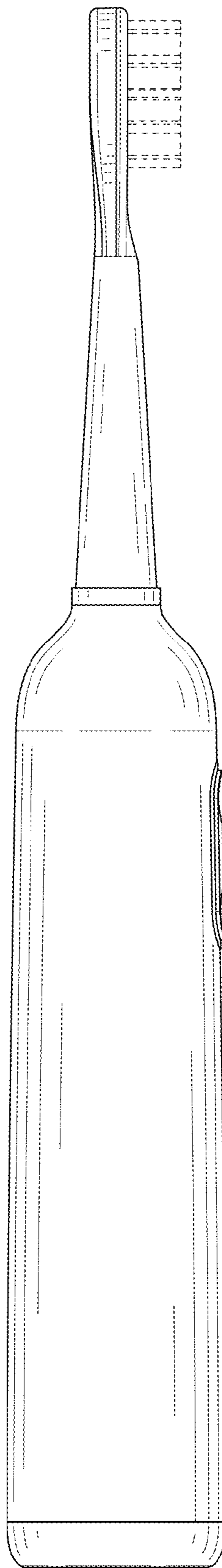


FIG. 12

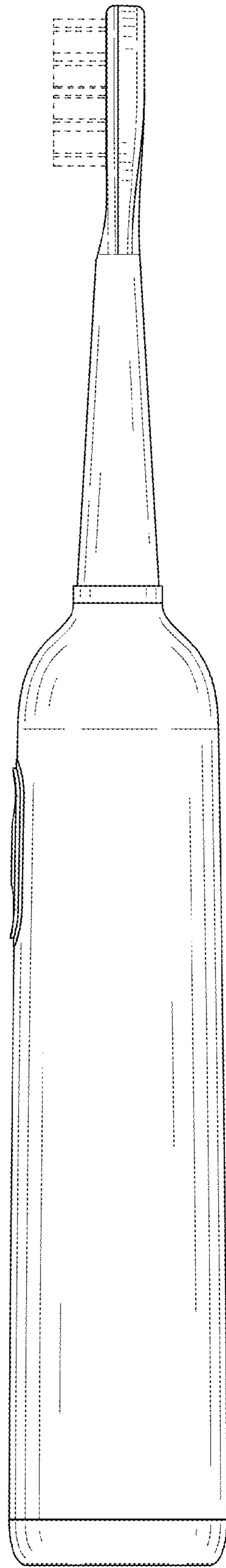


FIG. 13

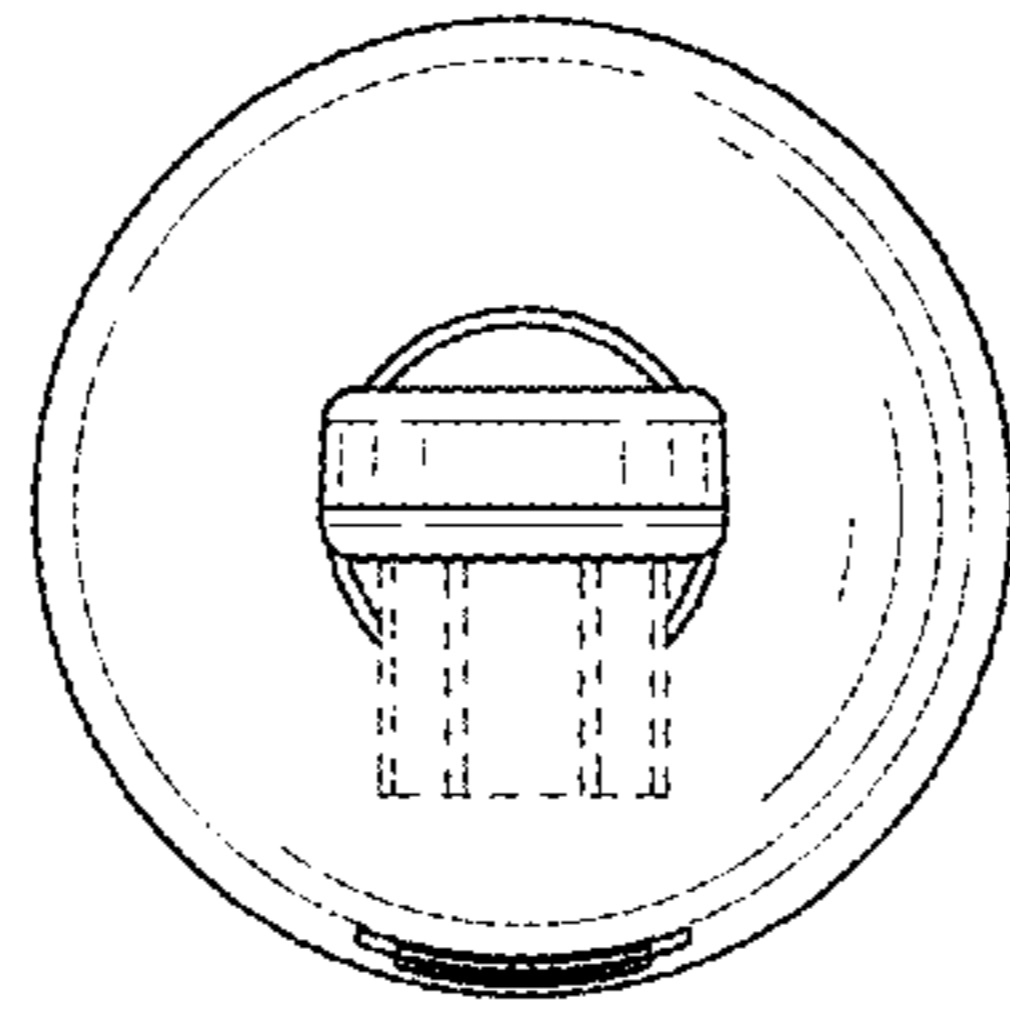


FIG. 14

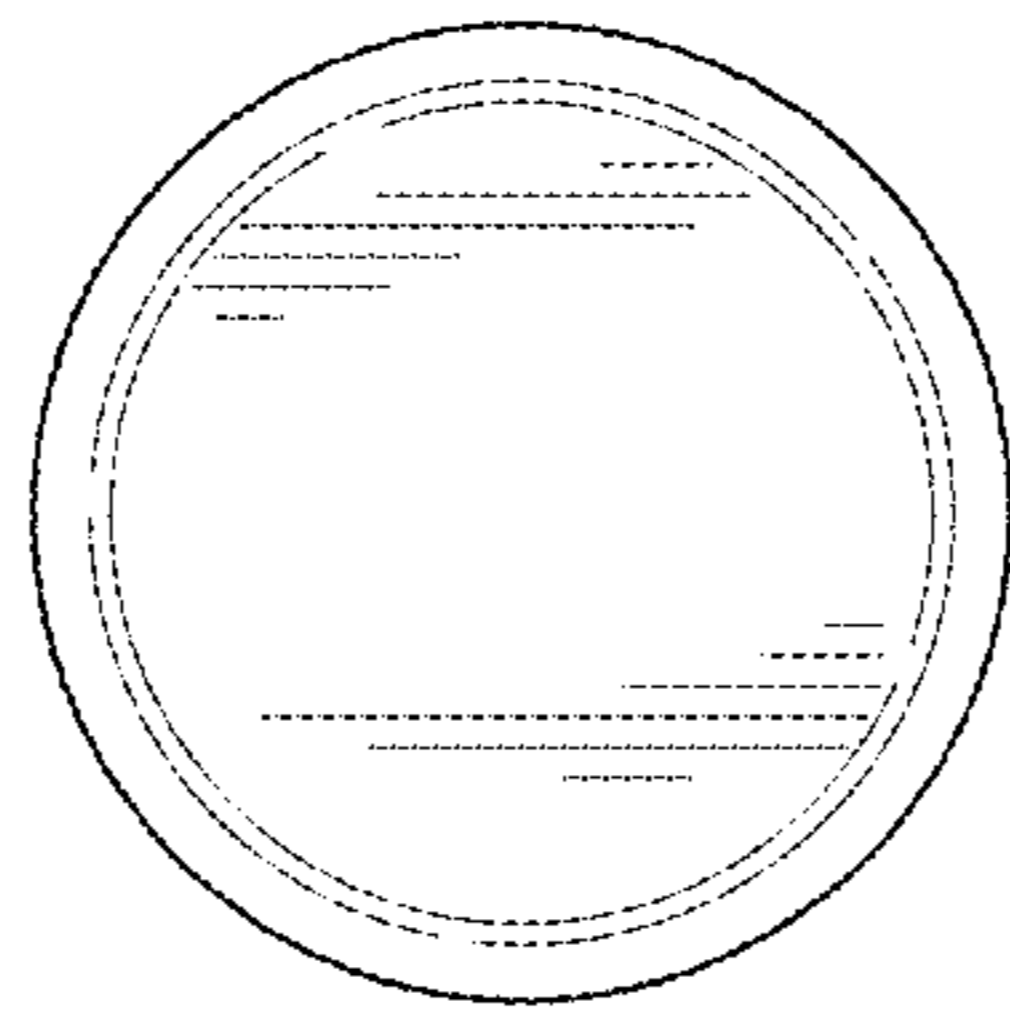


FIG. 15

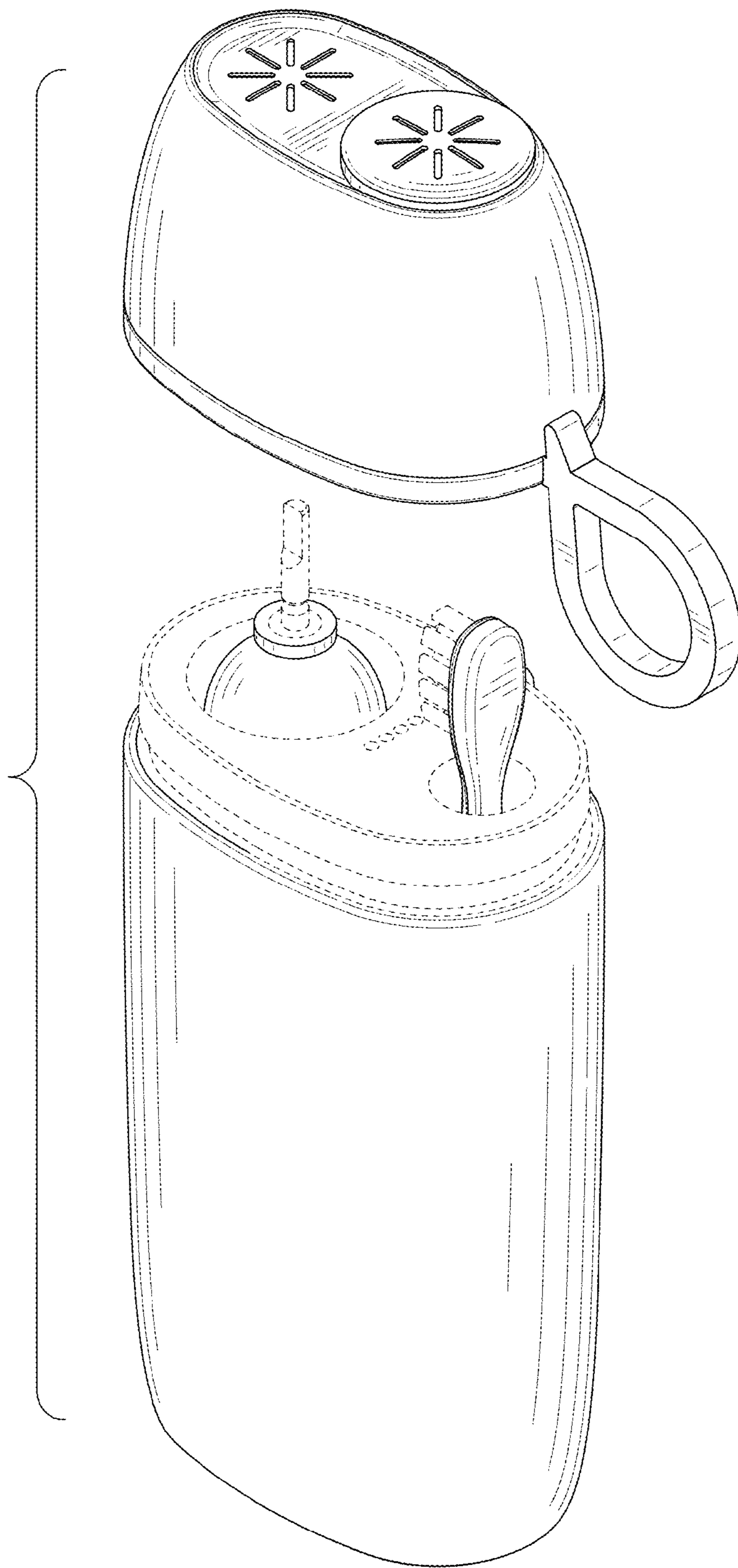


FIG. 16