



US00D937577S

(12) **United States Design Patent**
Xie

(10) **Patent No.:** **US D937,577 S**
(45) **Date of Patent:** **** Dec. 7, 2021**

- (54) **JEWELRY ORGANIZER BOX**
- (71) Applicant: **Guangzhou Huanxing Cross-border E-commerce Co., Ltd., Guangzhou (CN)**
- (72) Inventor: **Haihua Xie, Maoming (CN)**
- (**) Term: **15 Years**
- (21) Appl. No.: **29/769,007**
- (22) Filed: **Feb. 2, 2021**
- (51) **LOC (13) Cl.** **03-01**
- (52) **U.S. Cl.**
USPC **D3/294; D3/903**
- (58) **Field of Classification Search**
USPC D3/294, 295, 903; D6/559, 553, D6/569-572
CPC A47F 3/08; A47F 7/03; A45C 11/16
See application file for complete search history.

(56) **References Cited**

U.S. PATENT DOCUMENTS

D266,115 S *	9/1982	Glenn, Sr.	D3/295
4,848,585 A *	7/1989	Snyder	A45C 11/16 206/566
4,984,854 A *	1/1991	DeLavallade	A47F 3/08 211/1.3
D317,380 S *	6/1991	Snyder	D3/295
5,141,300 A *	8/1992	Ciesla	A47B 9/00 206/566
D436,727 S *	1/2001	Hsu	D3/294
D483,203 S *	12/2003	Dennig	D6/680.2

6,926,136 B1 *	8/2005	Lynch-Bass	A45C 11/16 206/6.1
D601,798 S *	10/2009	Hsu	D3/295
D721,490 S *	1/2015	Batton	D3/271.5
9,723,904 B1 *	8/2017	Taylor	A45C 11/16
D808,193 S *	1/2018	Sun	D6/559
D814,791 S	4/2018	Zhang	
2004/0178116 A1 *	9/2004	Daetweiler	A45C 11/16 206/747
2006/0180481 A1 *	8/2006	McGaughey, Sr.	A47F 7/03 206/6.1

* cited by examiner

Primary Examiner — Holly E Thurman

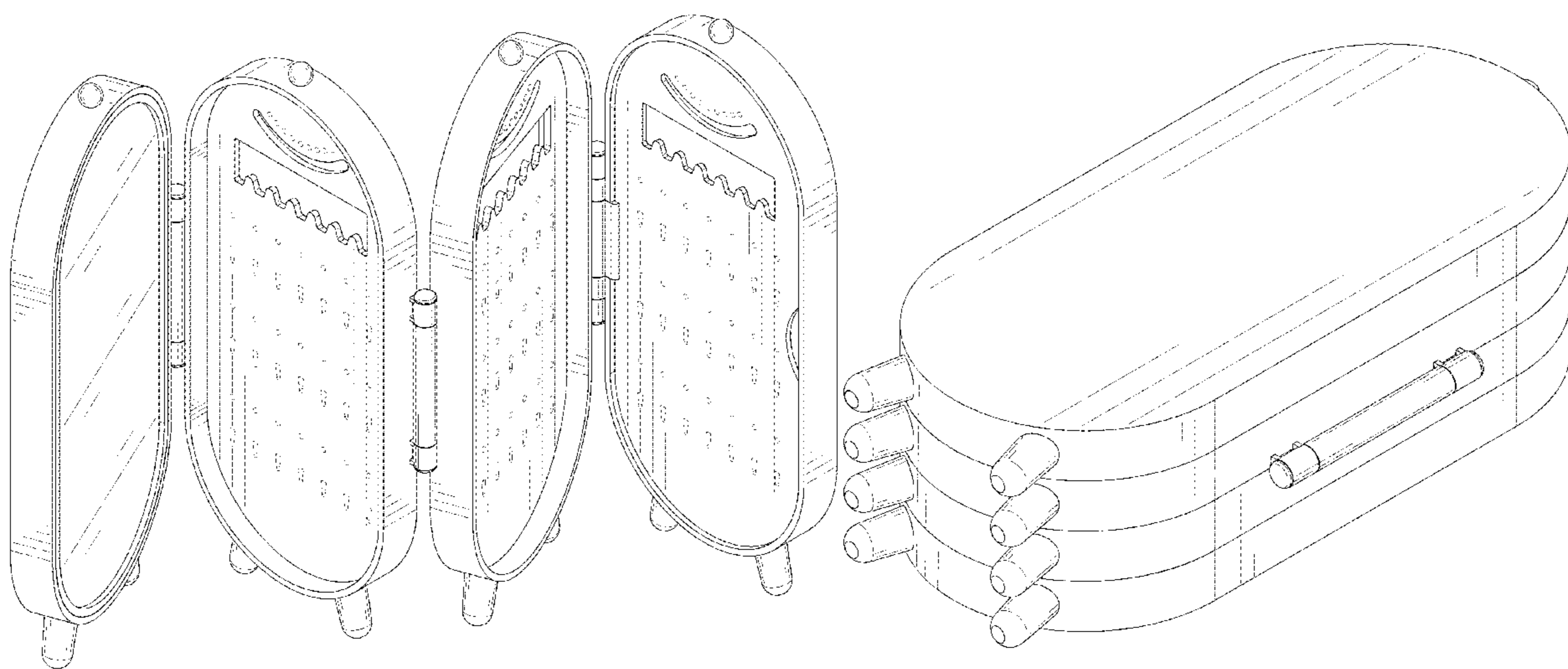
(57) **CLAIM**

The ornamental design for a jewelry organizer box, as shown and described.

DESCRIPTION

FIG. 1 is a front and top perspective view of a jewelry organizer box, showing my new design;
 FIG. 2 is a rear and bottom perspective view thereof;
 FIG. 3 is a front elevation view thereof;
 FIG. 4 is a rear elevation view thereof;
 FIG. 5 is a left side elevation view thereof;
 FIG. 6 is a right side elevation view thereof;
 FIG. 7 is a top plan view thereof;
 FIG. 8 is a bottom plan view thereof; and,
 FIG. 9 is a front and top perspective view thereof, showing the jewelry organizer box in a folded position.
 The broken lines in the figures illustrate portions of the article that form no part of the claimed design.

1 Claim, 9 Drawing Sheets



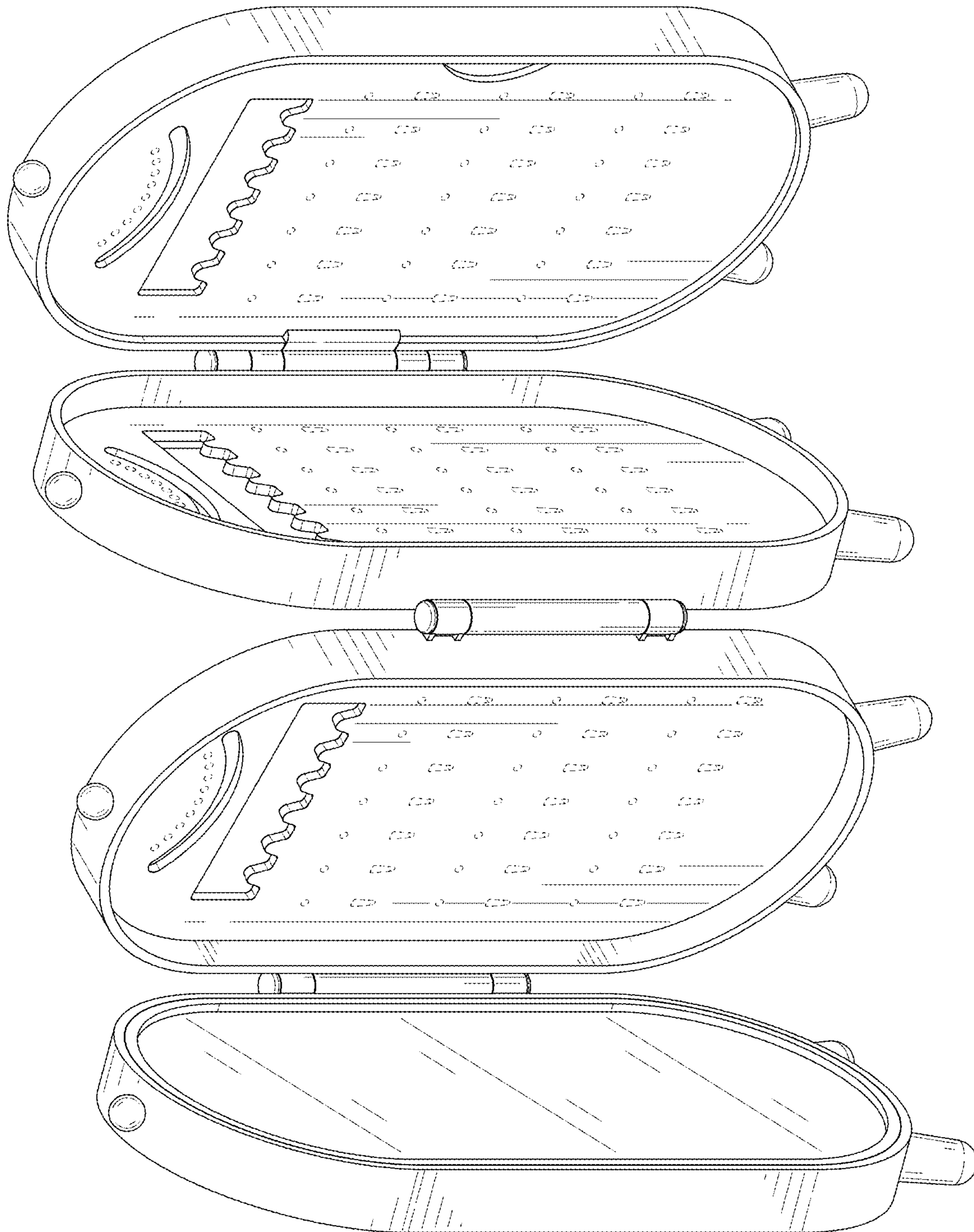


FIG. 1

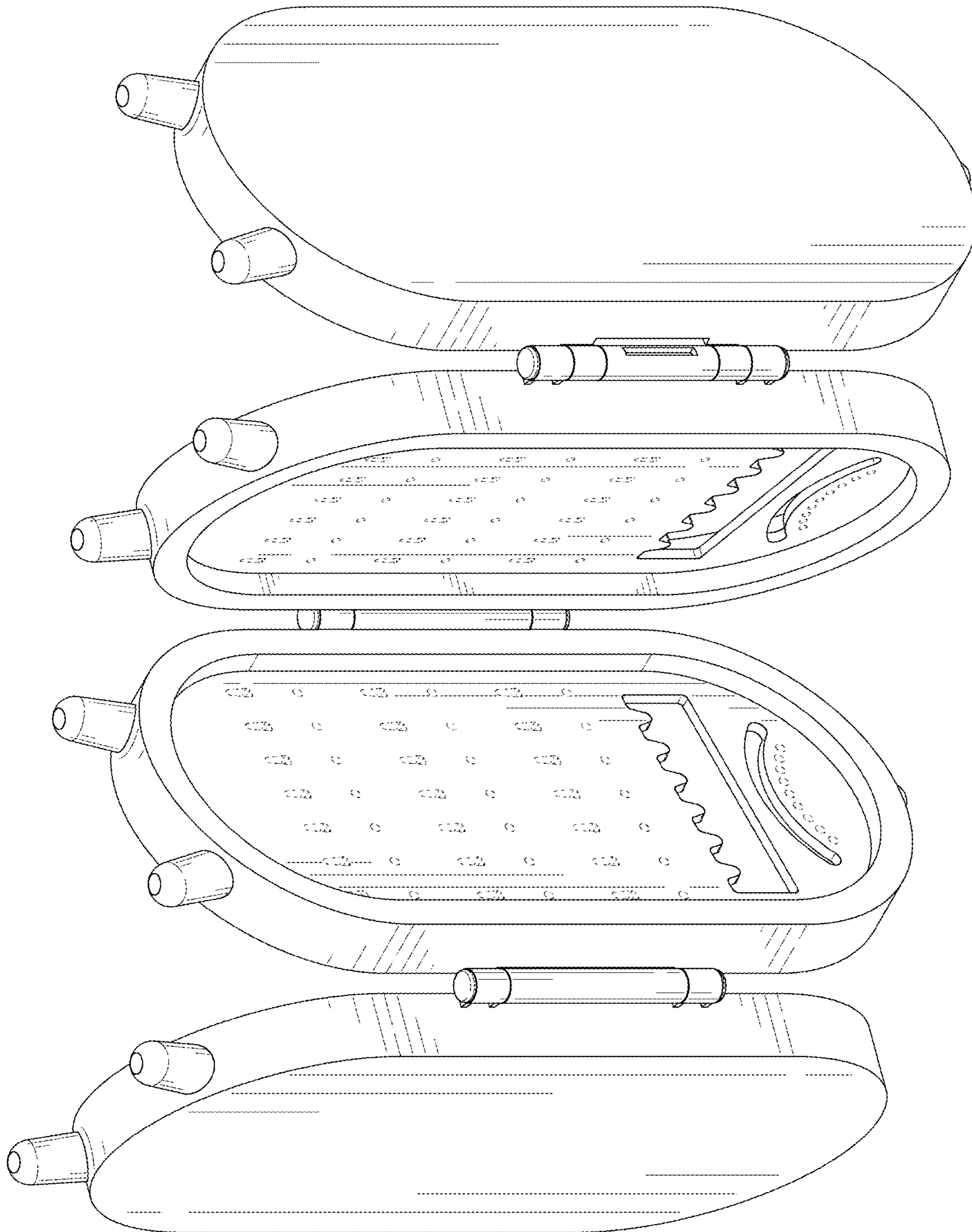


FIG. 2

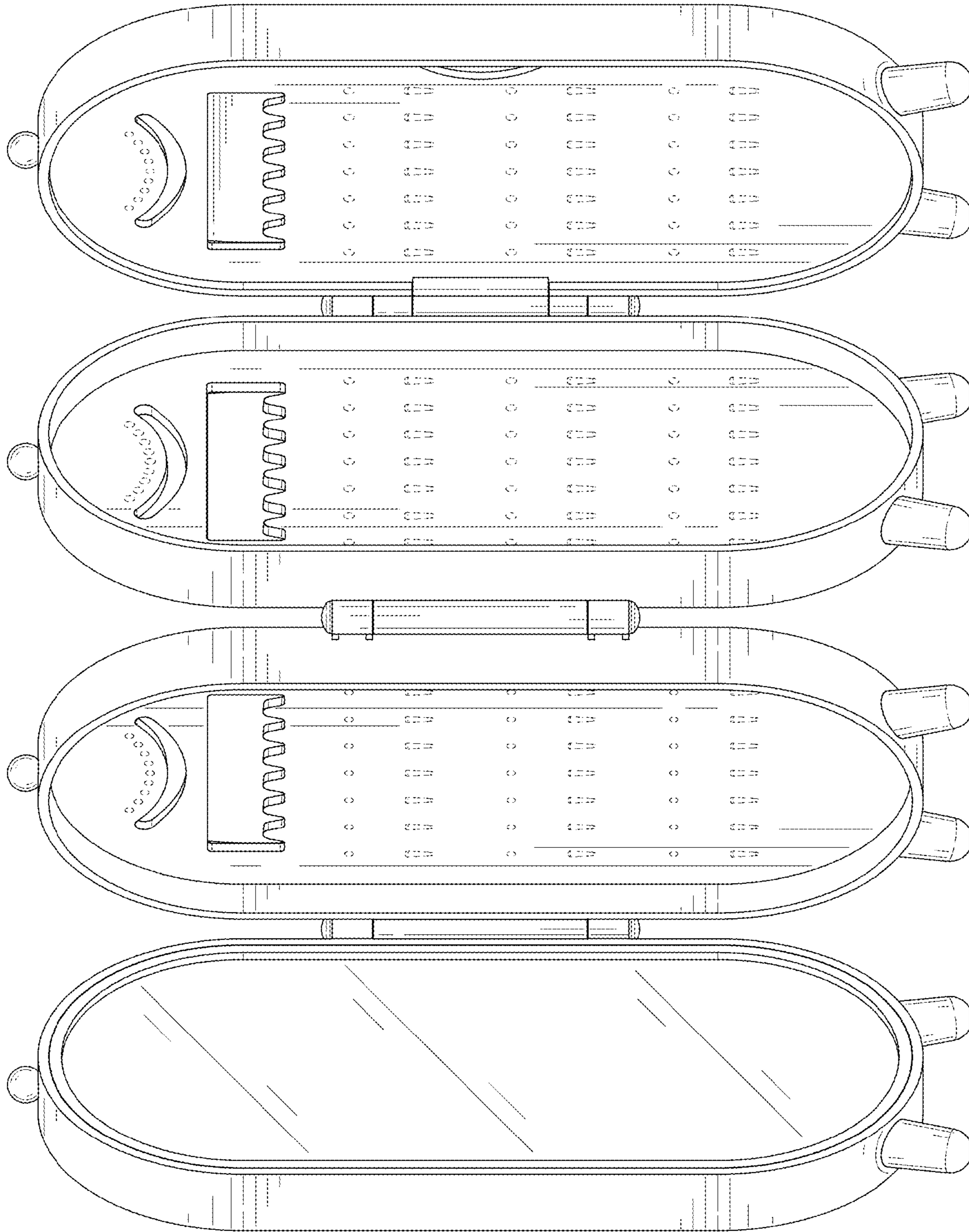


FIG. 3

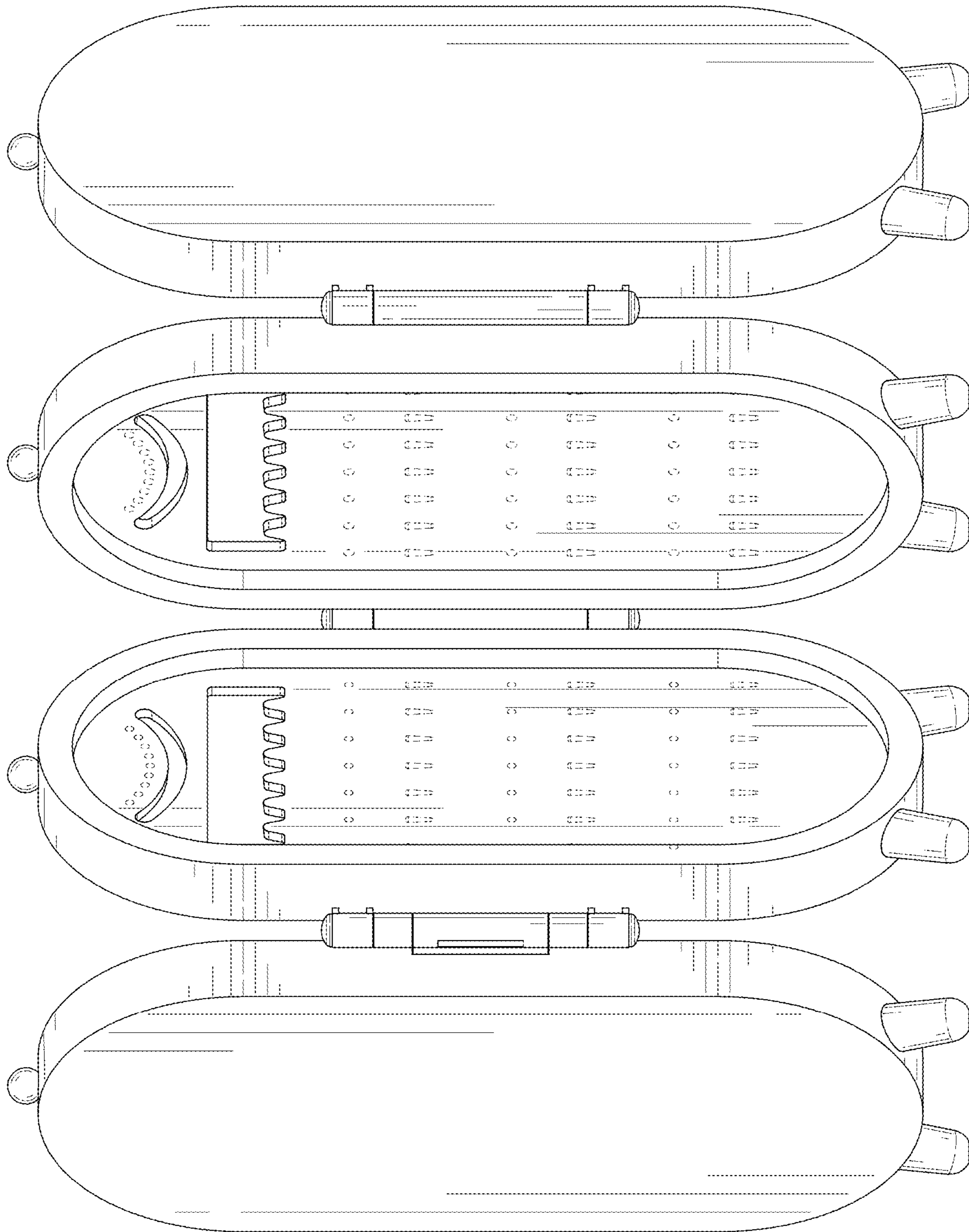


FIG. 4

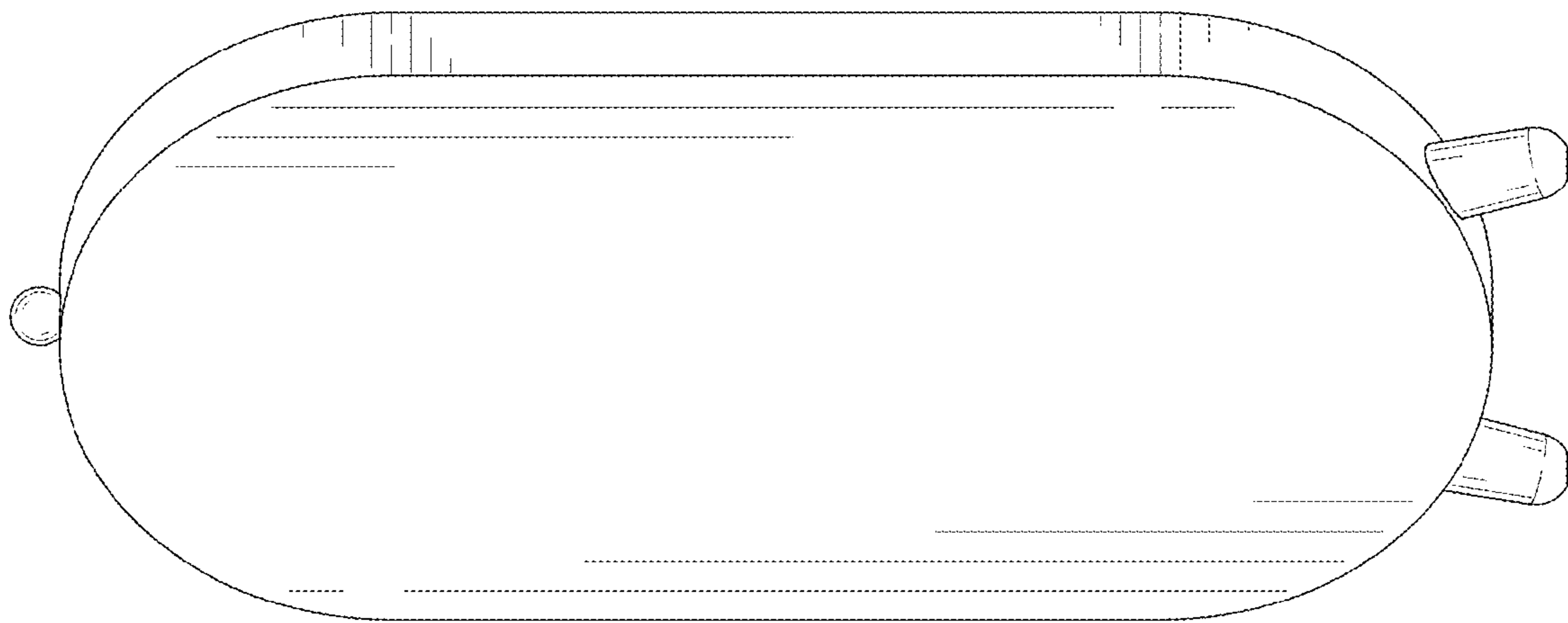


FIG. 5

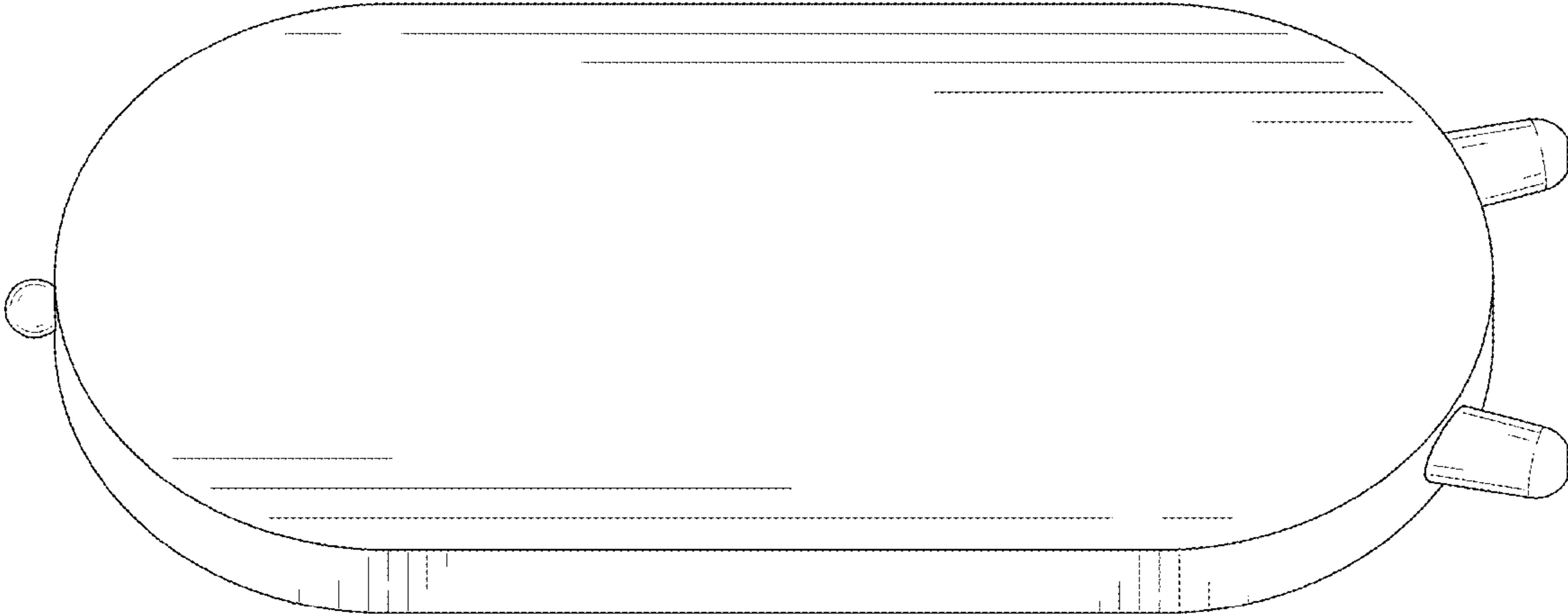


FIG. 6

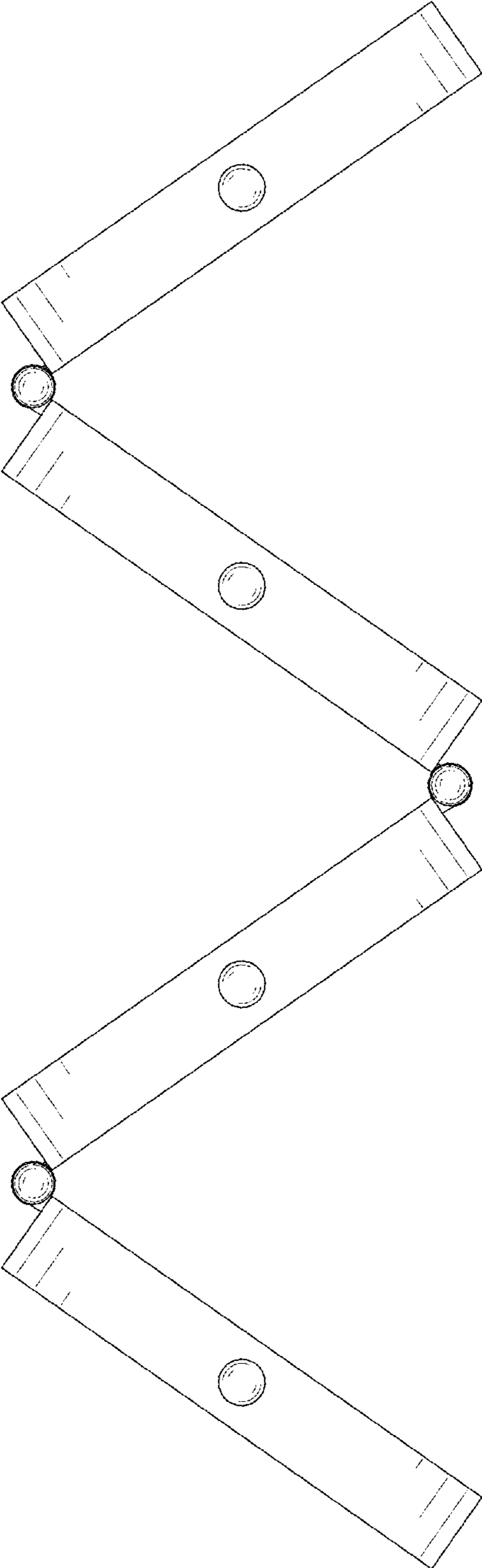


FIG. 7

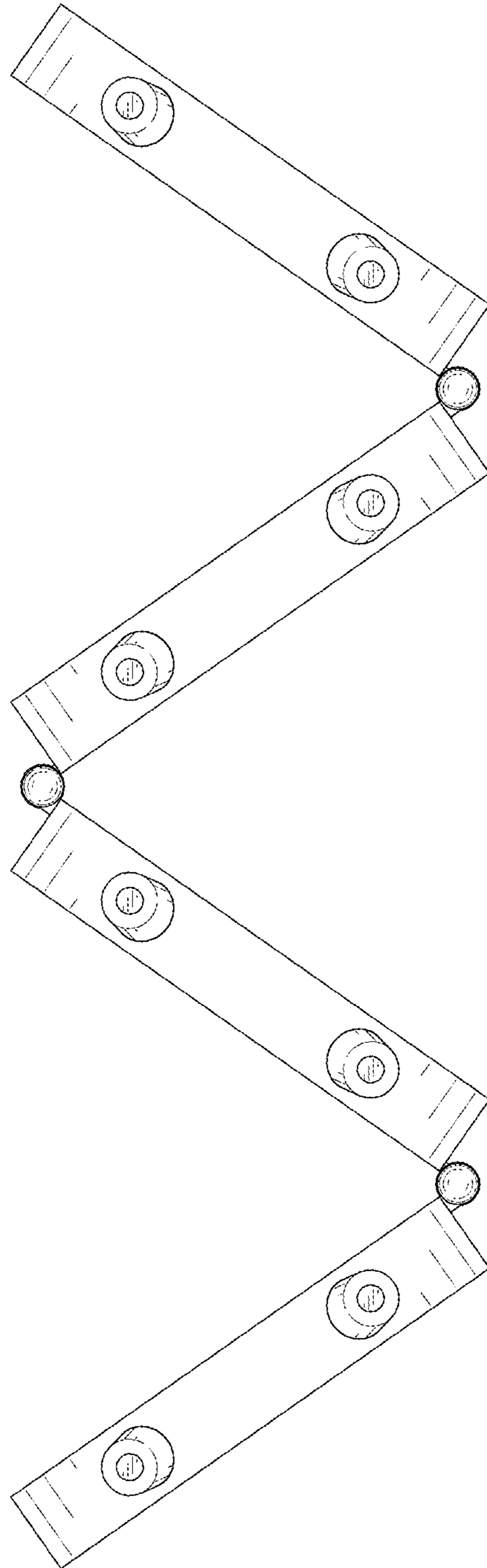


FIG. 8

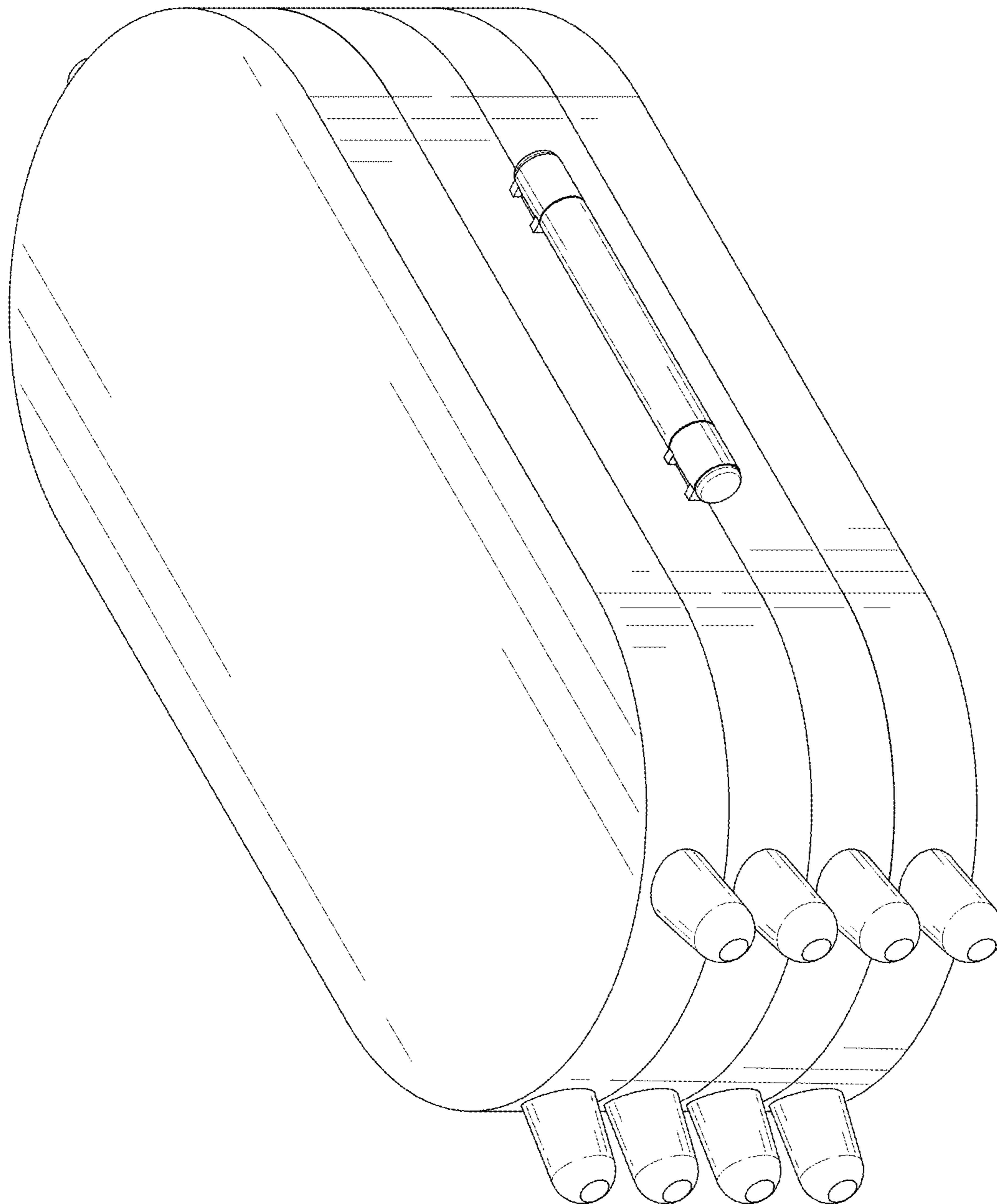


FIG. 9