



US00D937574S

(12) **United States Design Patent** (10) **Patent No.:** **US D937,574 S**
Collins et al. (45) **Date of Patent:** **** Dec. 7, 2021**

(54) **SPORTS BAG**
(71) Applicant: **GRIT INC., Loretto (CA)**
(72) Inventors: **Gregory James Collins, Loretto (CA); Steven Roncadin, Maple (CA); Erin Dawn Dobo, Toronto (CA)**
(73) Assignee: **Grit Inc., Loretto (CA)**
(**) Term: **15 Years**

D428,697 S * 8/2000 Nally D3/254
D476,154 S * 6/2003 Lovett D3/276
D491,356 S * 6/2004 Cameron D3/254
D547,518 S * 7/2007 McConnell D34/24
D554,369 S * 11/2007 Katz D3/279
D554,861 S * 11/2007 Udall D3/279
D639,051 S * 6/2011 Dare D3/260
9,215,915 B2 * 12/2015 Udall A45C 13/00
D809,297 S * 2/2018 Ehret D3/279
2007/0102253 A1 * 5/2007 Godshaw A45C 5/143
190/18 A

(Continued)

(21) Appl. No.: **29/712,210**
(22) Filed: **Nov. 6, 2019**
(30) **Foreign Application Priority Data**

Jul. 25, 2019 (CA) 188903

(51) **LOC (13) Cl.** **03-01**

(52) **U.S. Cl.**
USPC **D3/254; D3/279**

(58) **Field of Classification Search**
USPC D3/254, 255, 259, 260, 269, 273, 276,
D3/279, 281, 288-290, 315, 316, 318,
D3/328, 328.1, 904
CPC B62B 2202/406; A45C 5/14; A45C
2003/007; A47F 7/00; A47F 7/0021;
A63B 2055/002; A63B 2055/402; A63B
2055/403; A63B 55/00; A63B 55/005;
A63B 55/008; A63B 55/02; A63B 55/04;
A63B 55/08; A63B 55/10; A63B 55/20;
A63B 55/40; A63B 55/53; A63B 55/57;
A63B 55/60; A63B 55/61; A63B 55/404;
A63B 55/406; A63B 55/408

See application file for complete search history.

(56) **References Cited**

U.S. PATENT DOCUMENTS

D273,534 S * 4/1984 Weinreb D3/268
D387,249 S * 12/1997 Mogil D7/607

OTHER PUBLICATIONS

Tusa BA-0301 Roller Mesh Bag, first available Dec. 31, 2016, amazon.com [online], [site visited Mar. 8, 2021], Available at internet URL: <https://www.amazon.com/TUSA-BA0301-Roller-Mesh-Bag/dp/B01NAWRCW6> (Year: 2016).*

(Continued)

Primary Examiner — Jeffrey D Asch
Assistant Examiner — Caitlin A Laverty
(74) *Attorney, Agent, or Firm* — Frost Brown Todd LLC

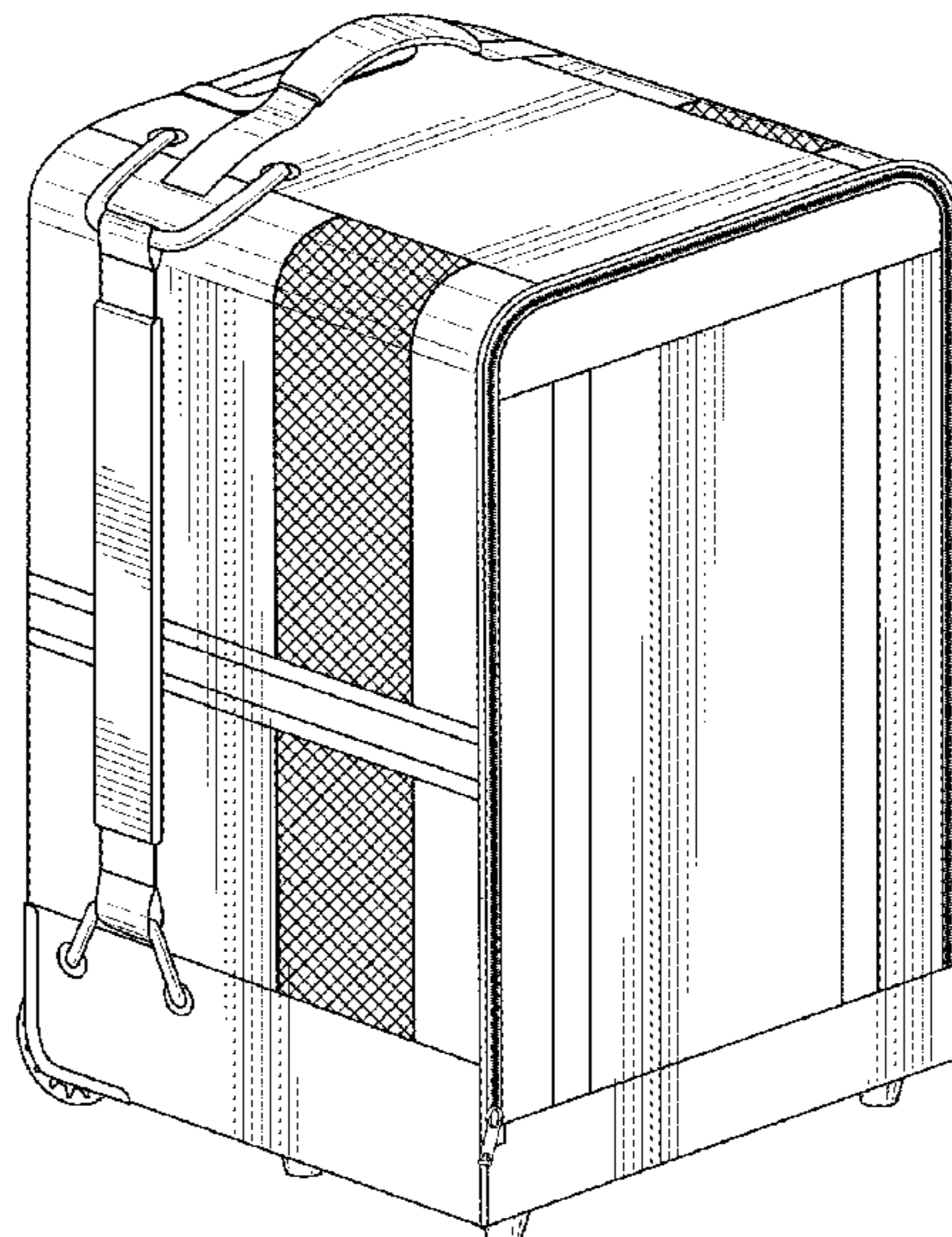
(57) **CLAIM**

The ornamental design for a sports bag, as shown and described.

DESCRIPTION

FIG. 1 is a top left-side perspective view of a sports bag showing our new design;
FIG. 2 is a top right-side perspective view thereof;
FIG. 3 is a front elevational view thereof;
FIG. 4 is a back elevational view thereof;
FIG. 5 is a left-side elevational view thereof;
FIG. 6 is a right-side elevational view thereof;
FIG. 7 is a top plan view thereof; and,
FIG. 8 is a bottom plan view thereof.

1 Claim, 8 Drawing Sheets



(56)

References Cited

U.S. PATENT DOCUMENTS

2008/0252029 A1* 10/2008 Walcott A63B 60/60
280/47.131
2011/0162931 A1* 7/2011 Collins A45C 15/00
190/8
2015/0174466 A1* 6/2015 Folland A45C 5/00
206/315.1

OTHER PUBLICATIONS

CCM Hockey 390 Wheeled Backpack Bag, Black., first available Dec. 31, 2019, amazon.com [online], [site visited Mar. 8, 2021], Available at internet URL: <https://www.amazon.com/CCM-Hockey-Wheeled-Backpack-Black/dp/B07T1S6FJ2> (Year: 2019).*

Grit Cube Wheeled 26" Hockey Bag, first available Jul. 2, 2015, amazon.com [online], [site visited Mar. 8, 2021], Available at internet URL: <https://www.amazon.com/Black-T-shirt-Specialized-Customized-Amosgordon/dp/B010TC7KHY> (Year: 2015).*

Grit CU1J User Guide, dated Nov. 18, 2019, gritinc.net [online], [site visited Mar. 11, 2021], Available at internet URL: <https://cdn.shopify.com/s/files/1/0280/2247/2768/files/CU1J-2020-UserGuide.pdf?v=1600107605> (Year: 2019).*

* cited by examiner

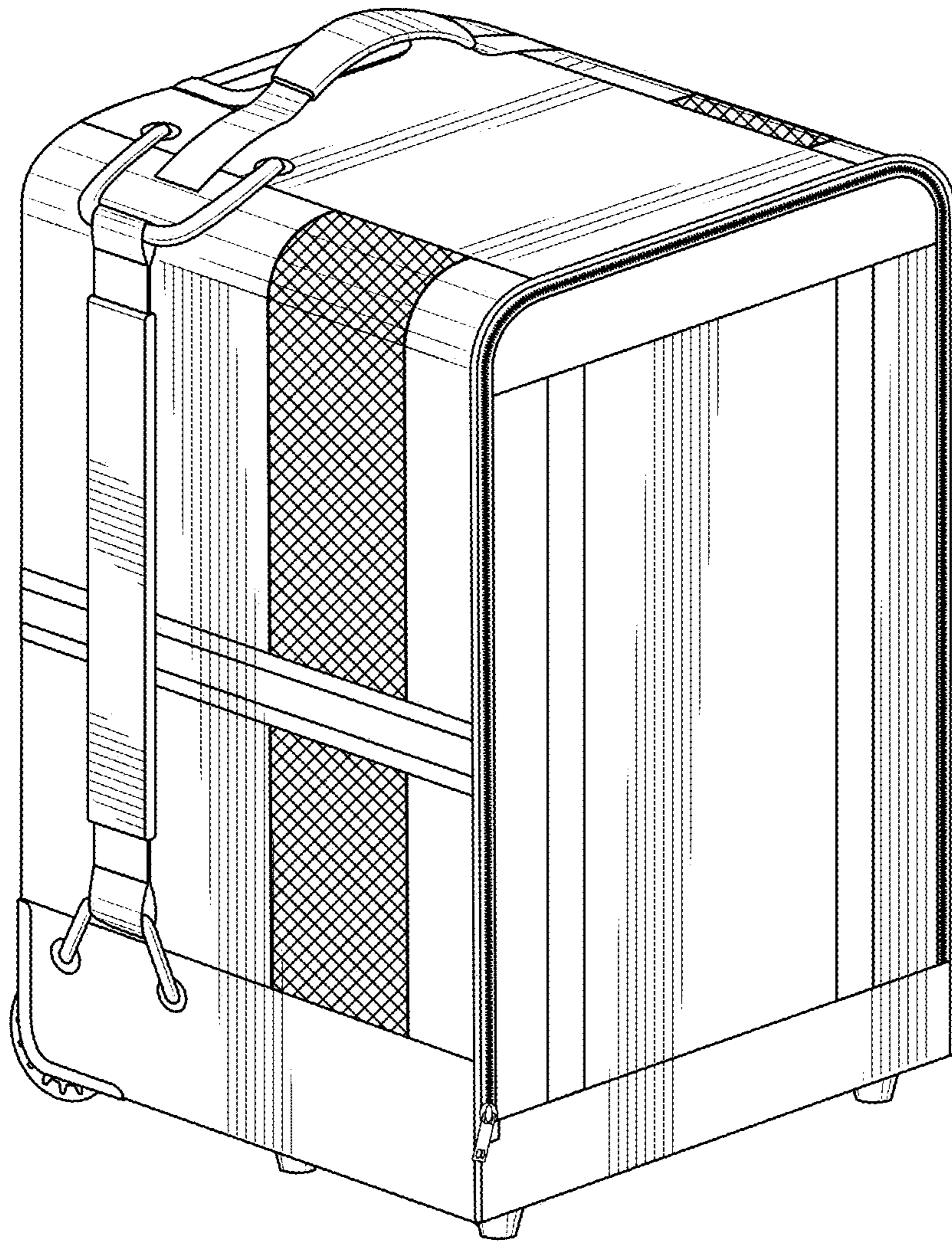


Fig. 1

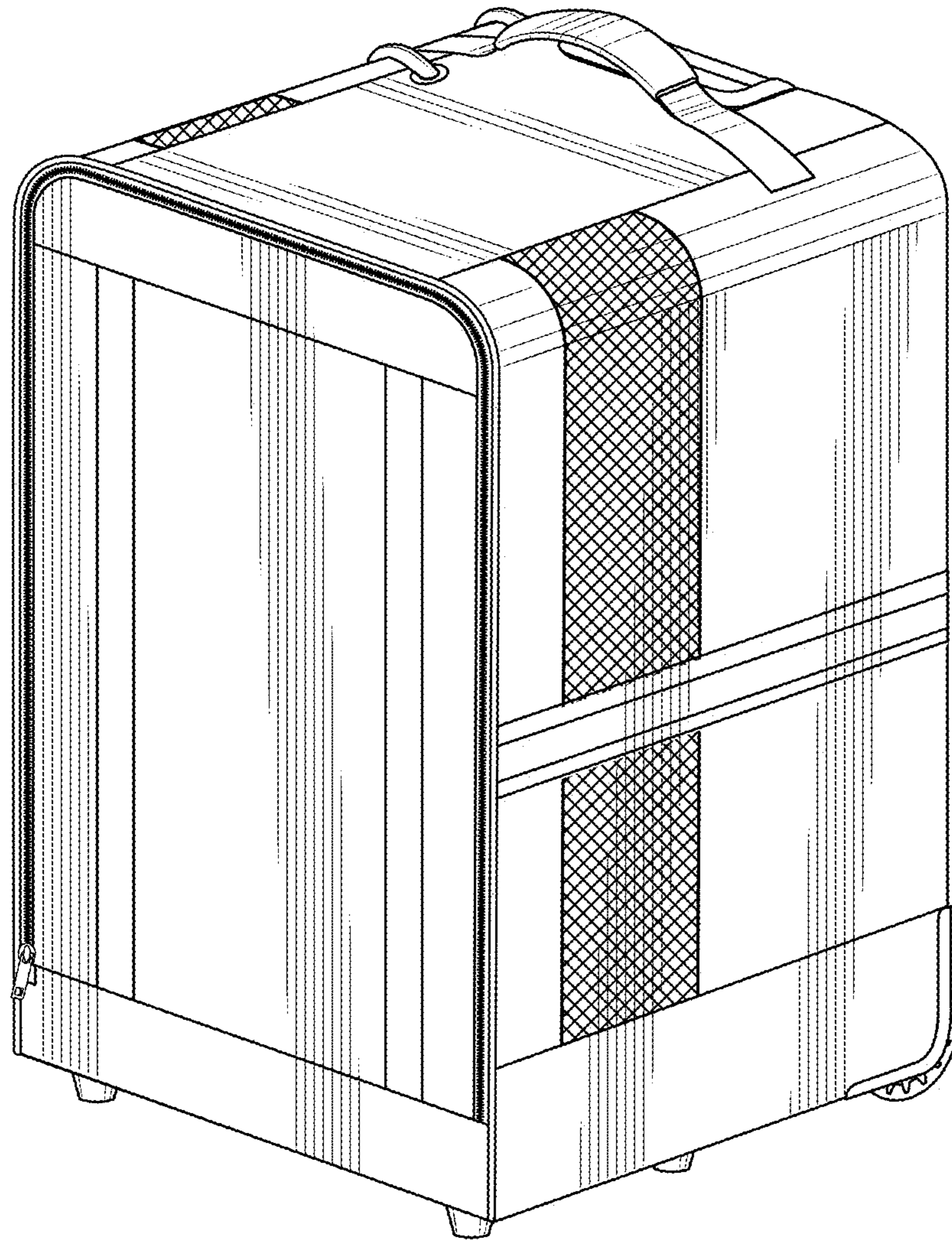


Fig. 2

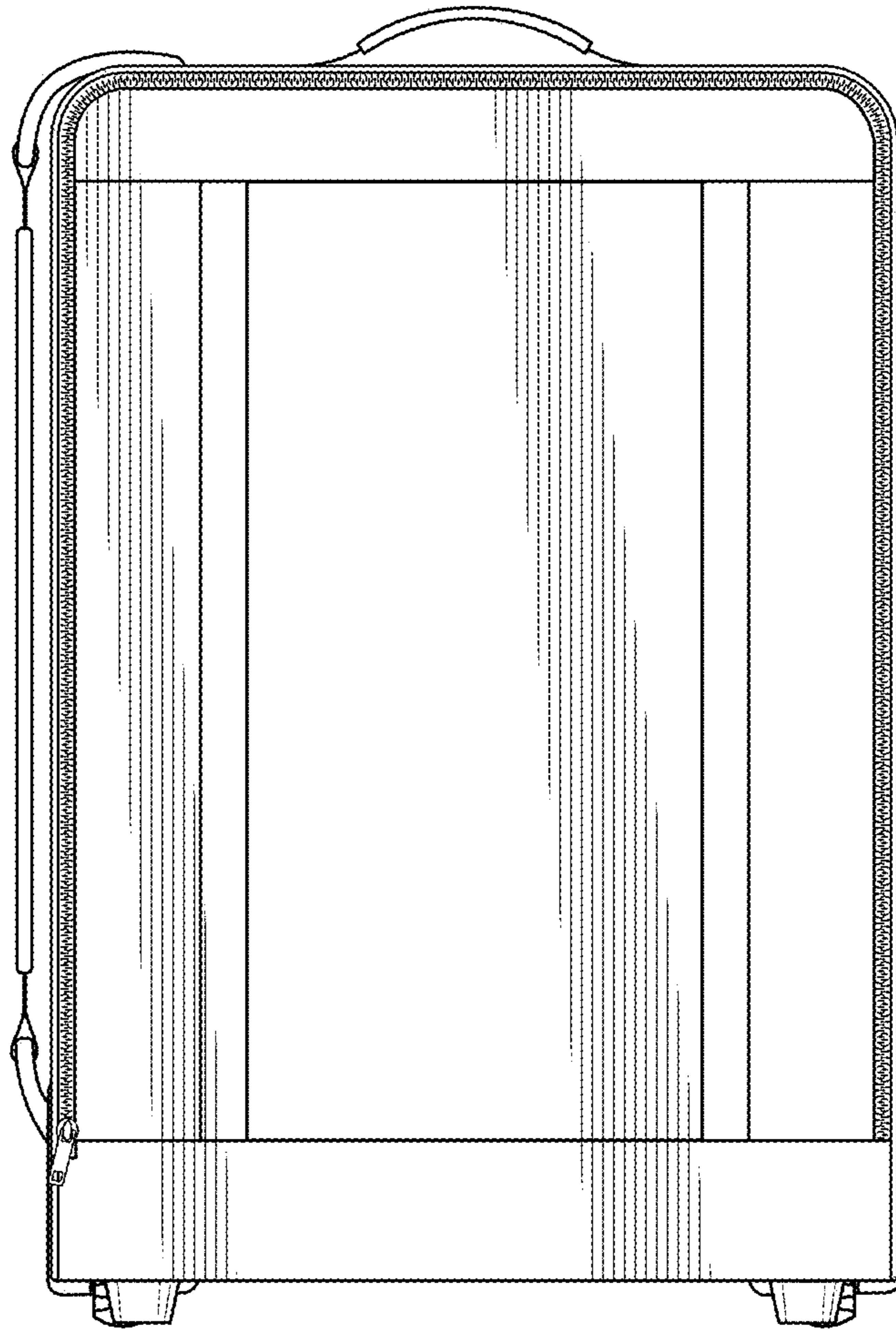


Fig. 3

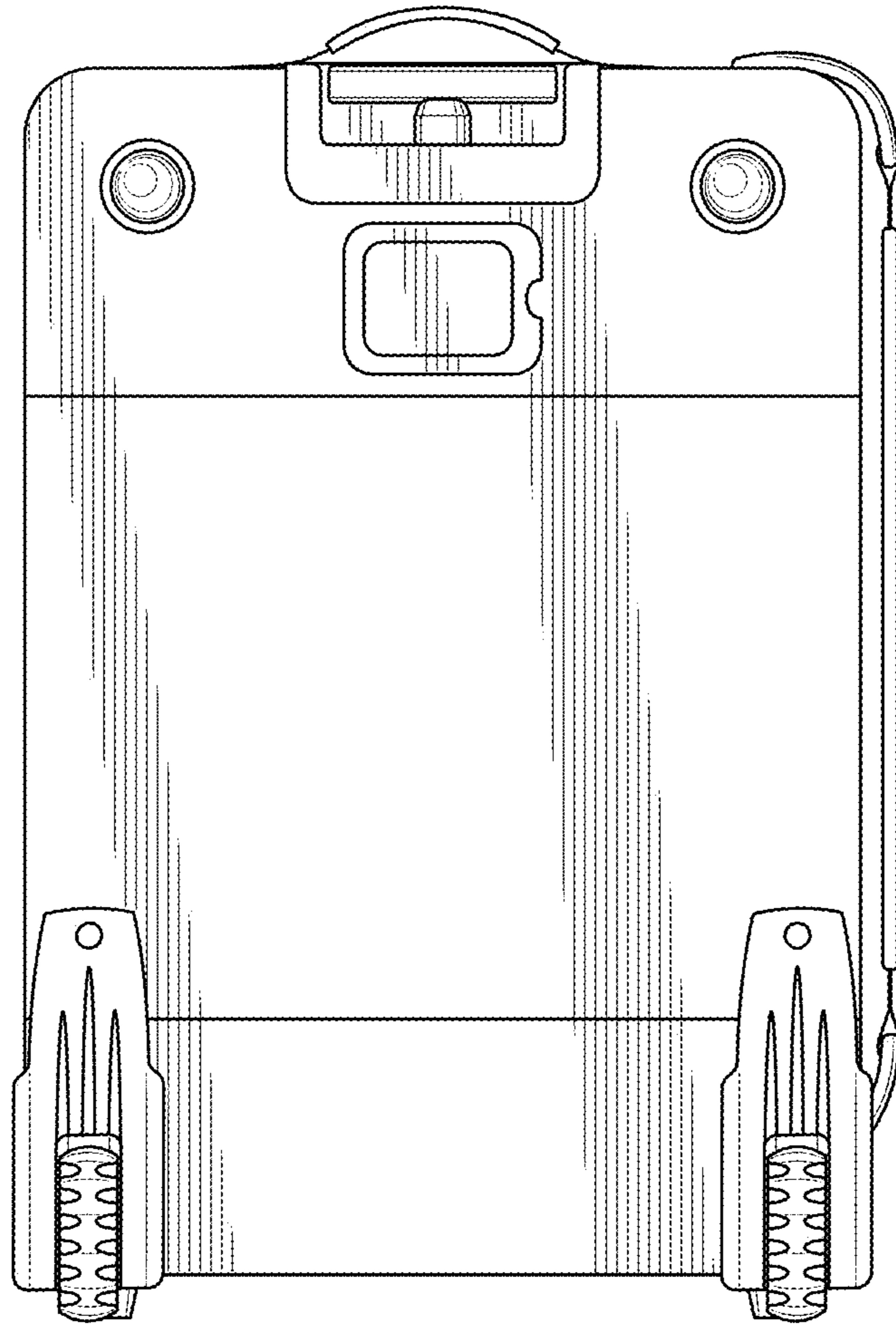


Fig. 4

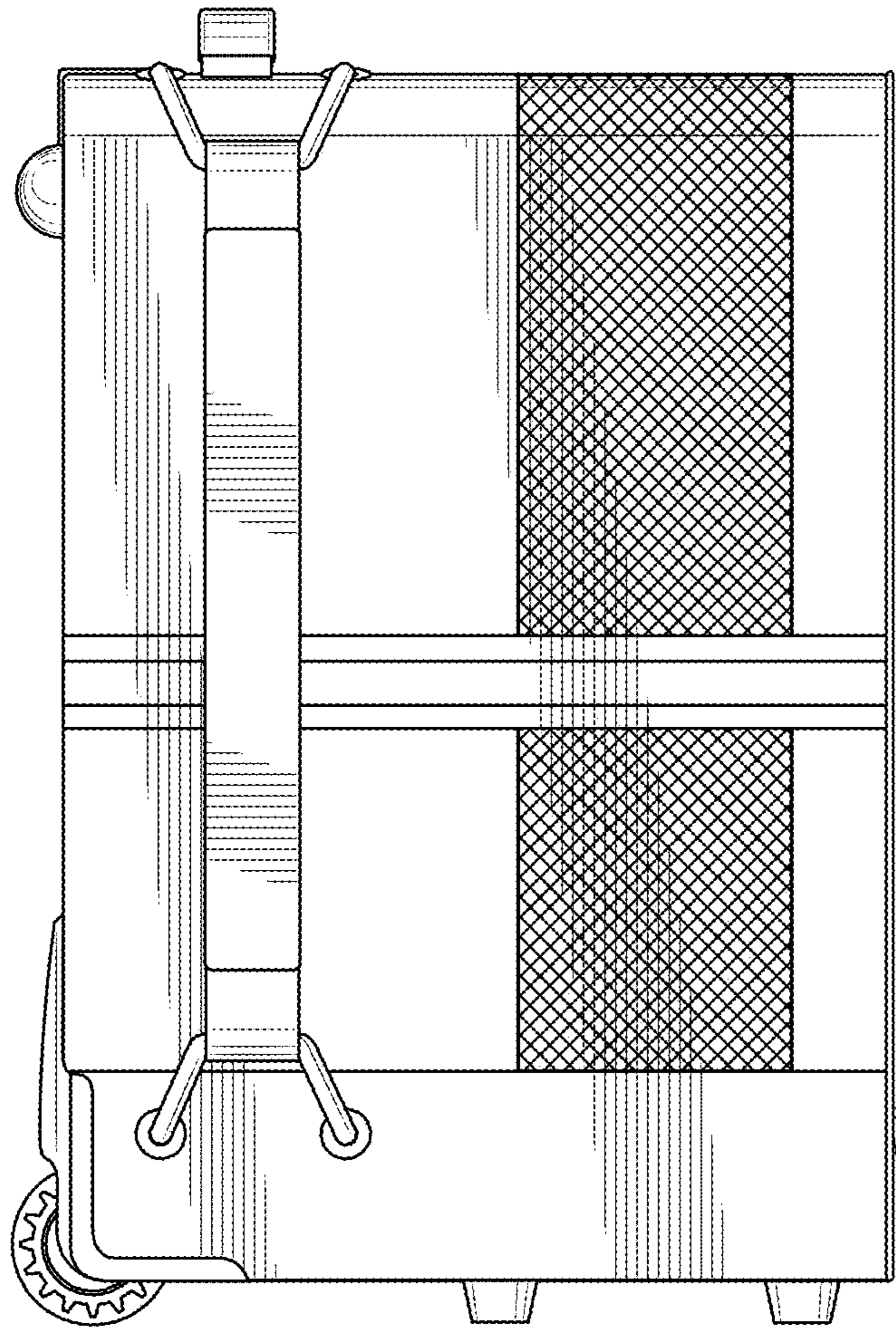


Fig. 5

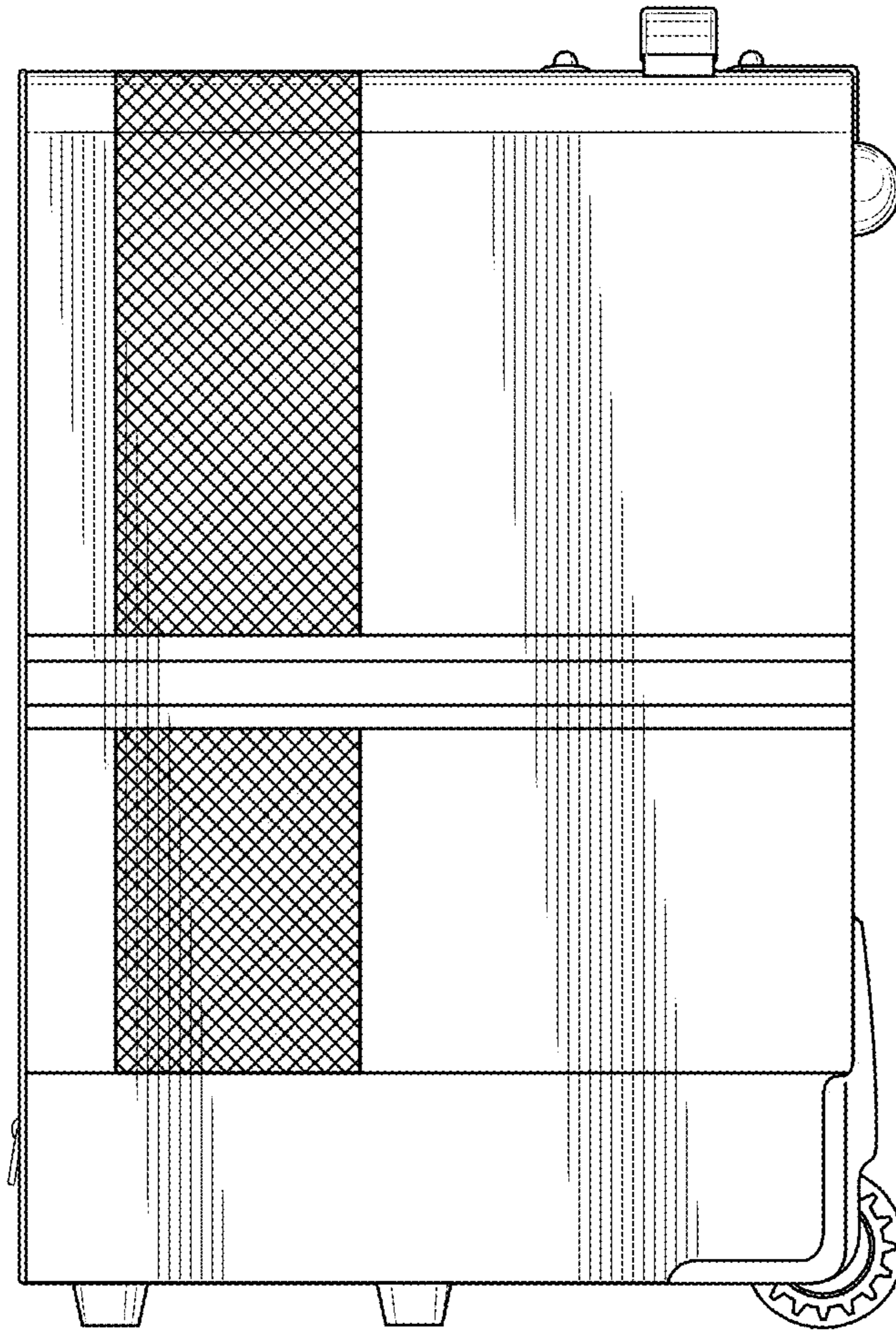


Fig. 6

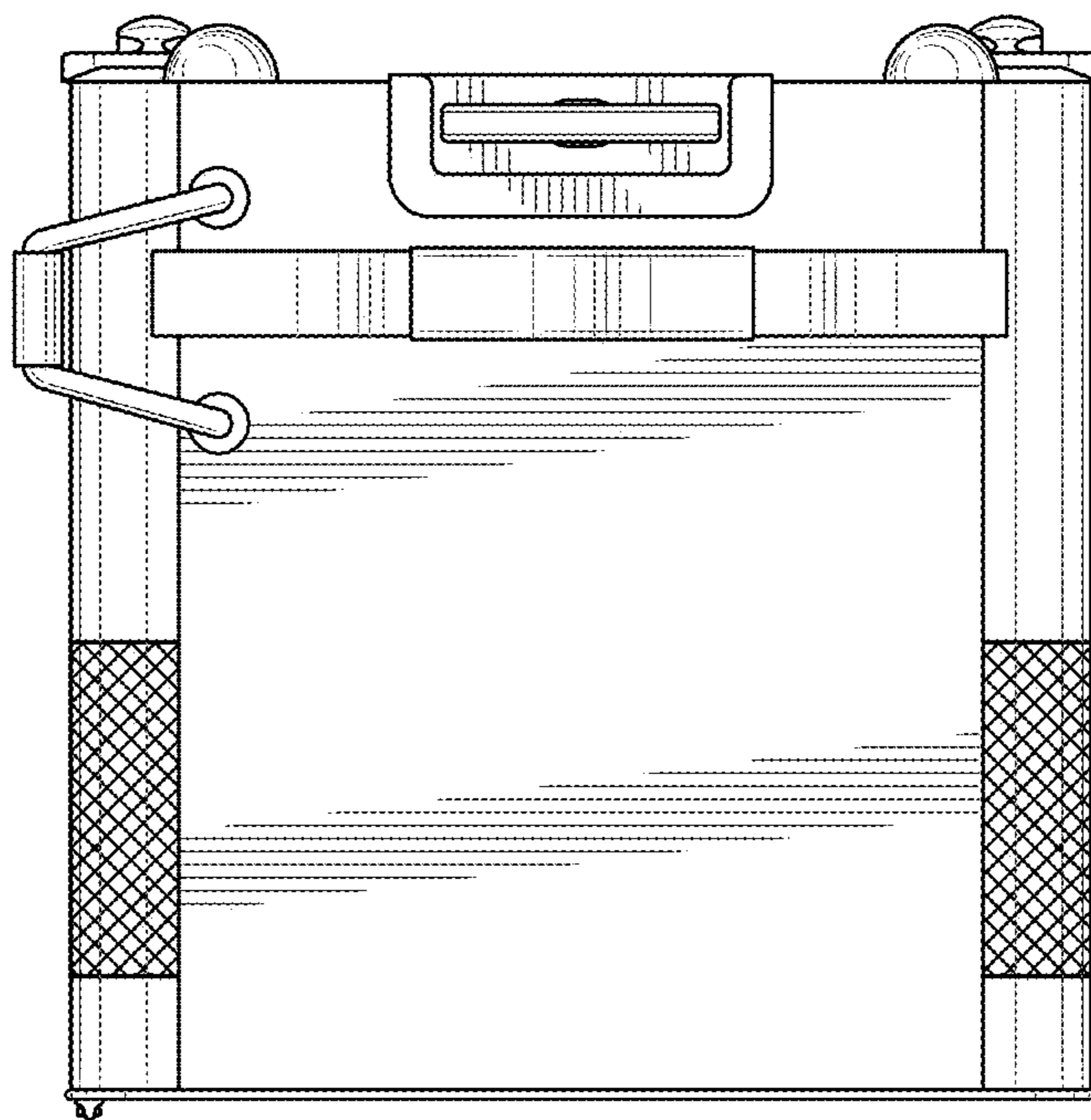


Fig. 7

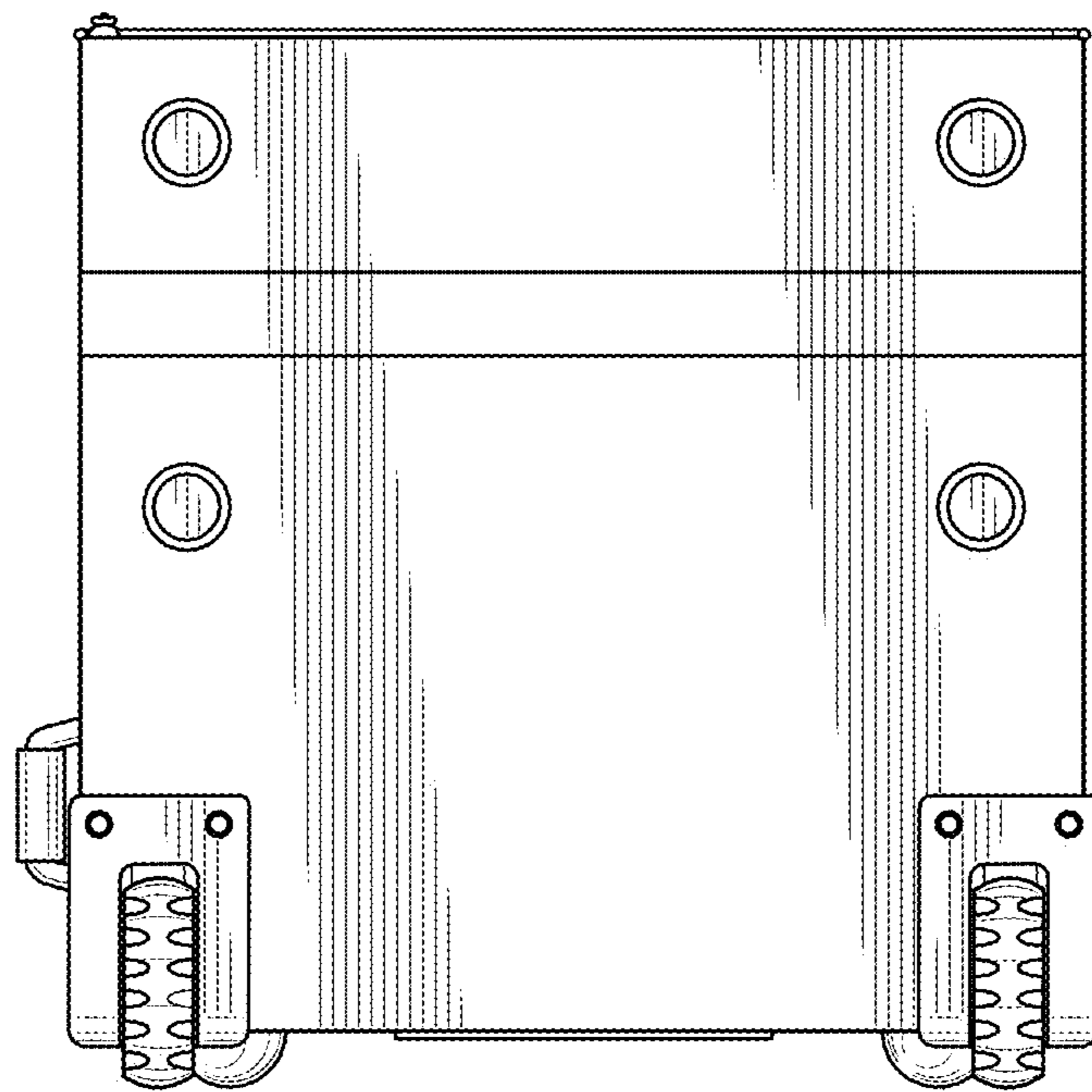


Fig. 8