

US00D937571S

(12) **United States Design Patent** (10) **Patent No.:** **US D937,571 S**
Cardenas (45) **Date of Patent:** **** Dec. 7, 2021**

(54) **HANDBAG**
(71) Applicant: **J. Choo Limited**, London (GB)
(72) Inventor: **Johanna Cardenas**, Paris (FR)
(73) Assignee: **J. Choo Limited**, London (GB)
(**) Term: **15 Years**

D767,882 S * 10/2016 Javits, Jr. D3/232
D769,623 S * 10/2016 Dooney D3/318
D773,812 S * 12/2016 Slimane D3/244
D782,818 S * 4/2017 Slimane D3/244
D794,951 S * 8/2017 Gavriel D3/244
D820,591 S * 6/2018 Nair D3/244
D866,172 S * 11/2019 Vaccarello D3/244

(Continued)

(21) Appl. No.: **29/721,487**
(22) Filed: **Jan. 21, 2020**
(30) **Foreign Application Priority Data**

Sep. 6, 2019 (EM) 006825170-0001

(51) **LOC (13) Cl.** **03-01**
(52) **U.S. Cl.**
USPC **D3/244; D3/318**
(58) **Field of Classification Search**
USPC D3/232–234, 243–246, 318; D11/218
CPC A45C 3/06; A45C 13/20; A45C 13/30;
A45C 13/1046
See application file for complete search history.

(56) **References Cited**
U.S. PATENT DOCUMENTS
D47,106 S 3/1915 Hettrich
D136,593 S * 11/1943 Phelps D3/244
D177,446 S 4/1956 Utzinger
D281,201 S * 11/1985 Schimmel D3/244
D372,119 S * 7/1996 Fendi D3/233
D380,609 S 7/1997 Formby
D545,567 S 7/2007 Gerbi
D547,061 S 7/2007 Gerbi
D574,149 S * 8/2008 van der Poel D3/237
D604,505 S * 11/2009 Gerbi D3/244
D627,158 S * 11/2010 Dreyfuss D3/244
D644,431 S 9/2011 Gonzalez
D651,402 S * 1/2012 Borghi D3/245
D691,797 S * 10/2013 Little D3/232
D749,320 S * 2/2016 Slimane D3/232

OTHER PUBLICATIONS

“Dryden Debby Leather Drawstring”, First available Sep. 30, 2016, macys.com, site visited May 21, 2021: <https://www.macys.com/shop/product/lauren-ralph-lauren-dryden-debby-leather-drawstring?ID=4342854> (Year: 2016).*

(Continued)

Primary Examiner — Jennifer L Watkins
Assistant Examiner — Samantha Lynne Brodowski
(74) *Attorney, Agent, or Firm* — Fross Zelnick Lehrman & Zissu, P.C.; Lawrence E. Apolzon, Esq.

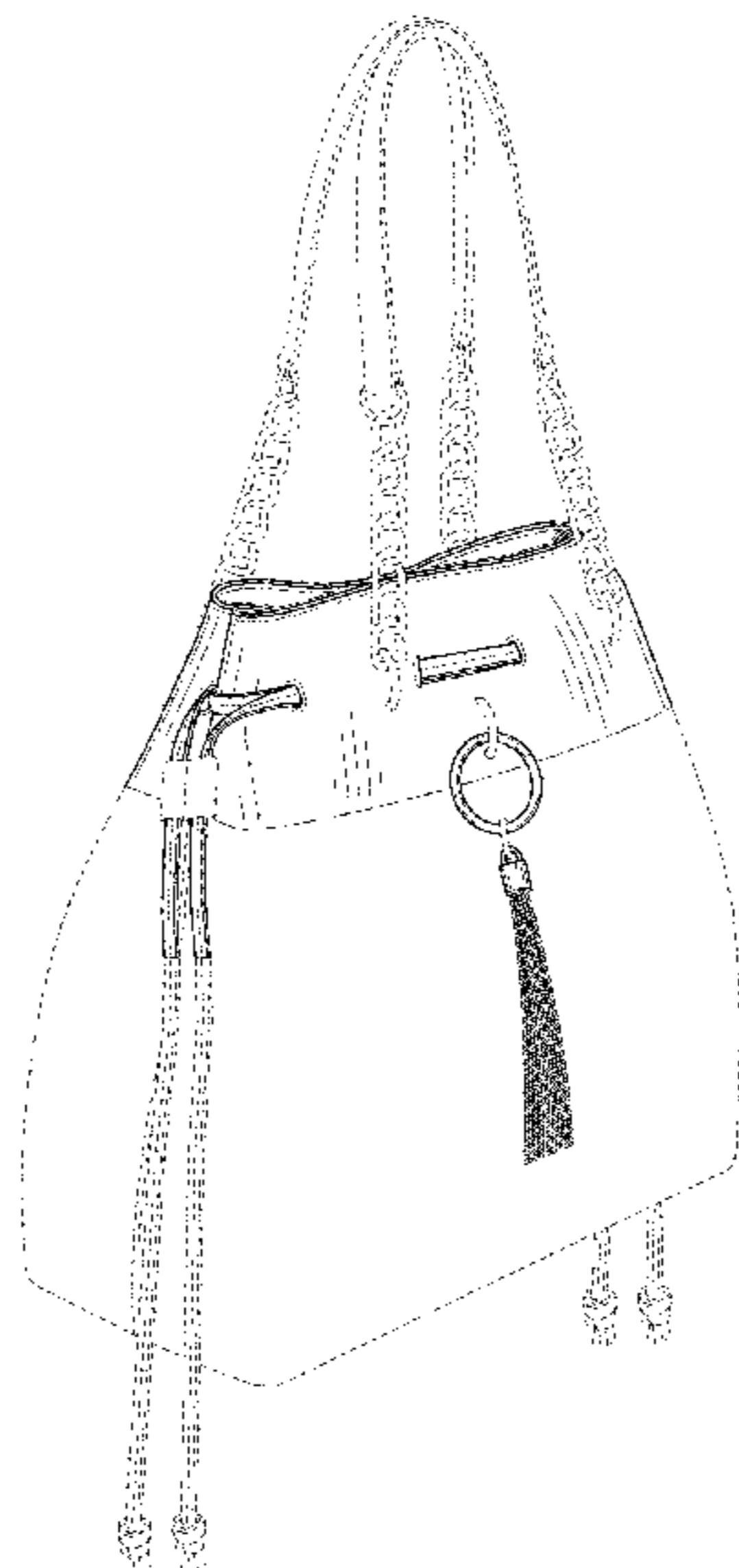
(57) **CLAIM**

The ornamental design for a handbag, as shown and described.

DESCRIPTION

FIG. 1 is a front perspective view of a handbag showing my new design;
FIG. 2 is a front view thereof;
FIG. 3 is a back view thereof;
FIG. 4 is a left side view thereof;
FIG. 5 is a right side view thereof;
FIG. 6 is a top view thereof; and,
FIG. 7 is a bottom view thereof.
The dash-dot-dash broken lines depict the claim boundary, the broken lines on the claimed surfaces depict claimed stitching, and all other broken lines depict portions of the handbag that form no part of the claim.

1 Claim, 5 Drawing Sheets



(56)

References Cited

U.S. PATENT DOCUMENTS

D868,462 S * 12/2019 Vaccarello D3/244
D872,462 S * 1/2020 Gerbi D3/244
D872,463 S * 1/2020 Gerbi D3/244
D929,124 S * 8/2021 Kolen D3/244
2012/0267017 A1* 10/2012 Sloan A45F 3/04
150/103
2019/0274404 A1* 9/2019 Riley A45C 13/1046

OTHER PUBLICATIONS

“Jimmy Choo Callie Tassel Drawstring Leather Hobo Bag”,
saksfifthavenue.com, site visited May 18, 2021: <https://www.saksfifthavenue.com/product/jimmy-choo-callie-tassel-drawstring-leather-hobo-bag-0400011524466.html> (Year: 2021).*

* cited by examiner

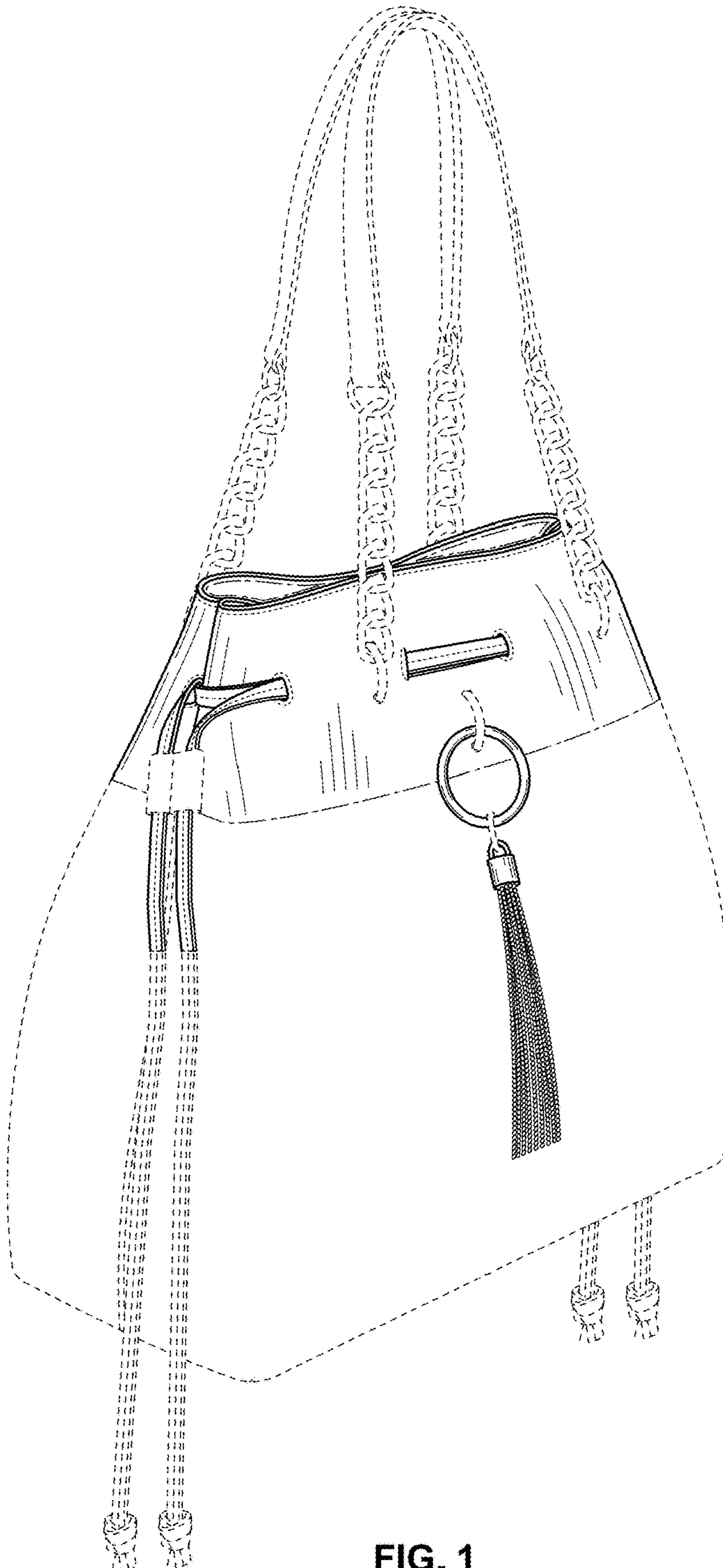


FIG. 1

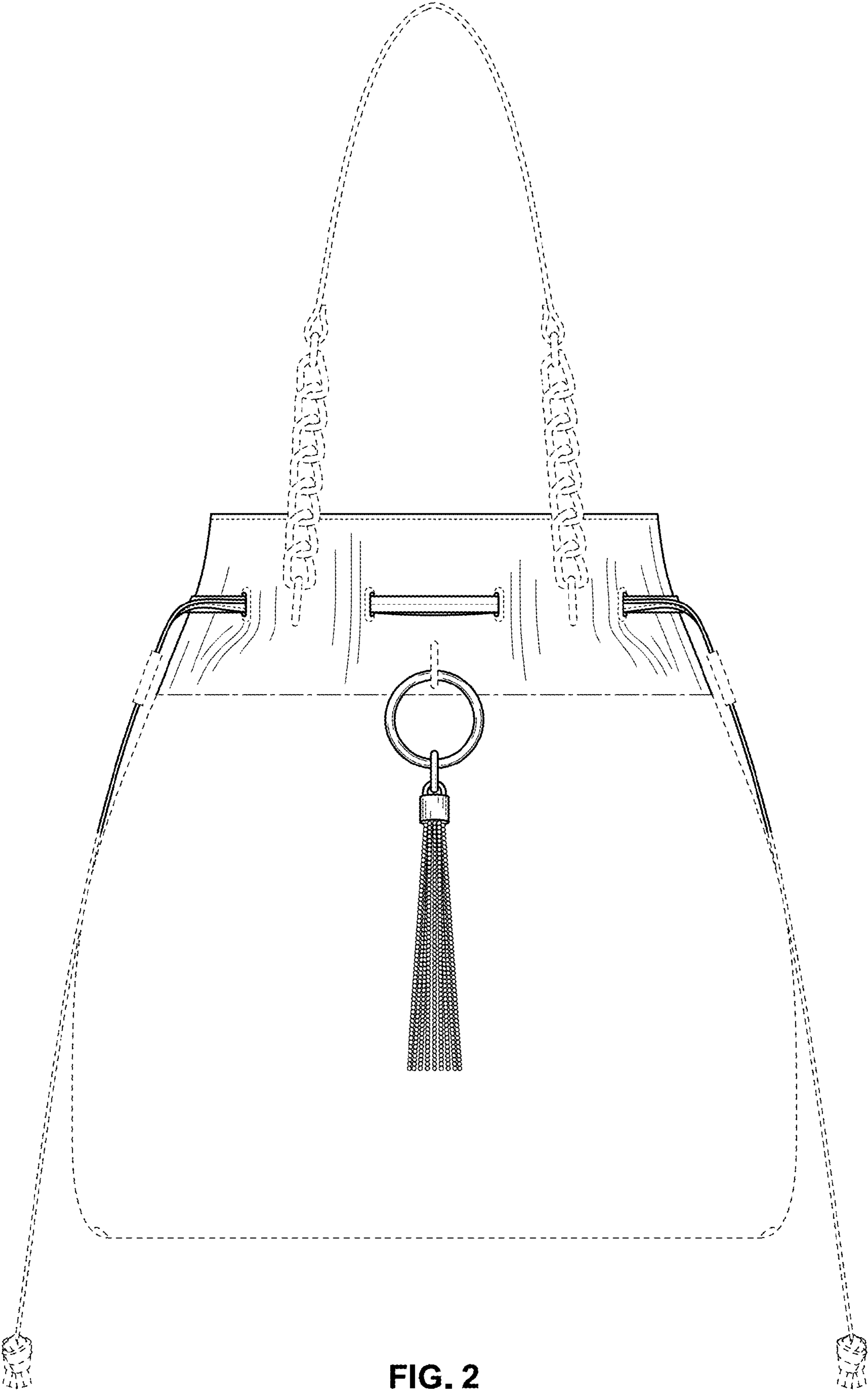


FIG. 2

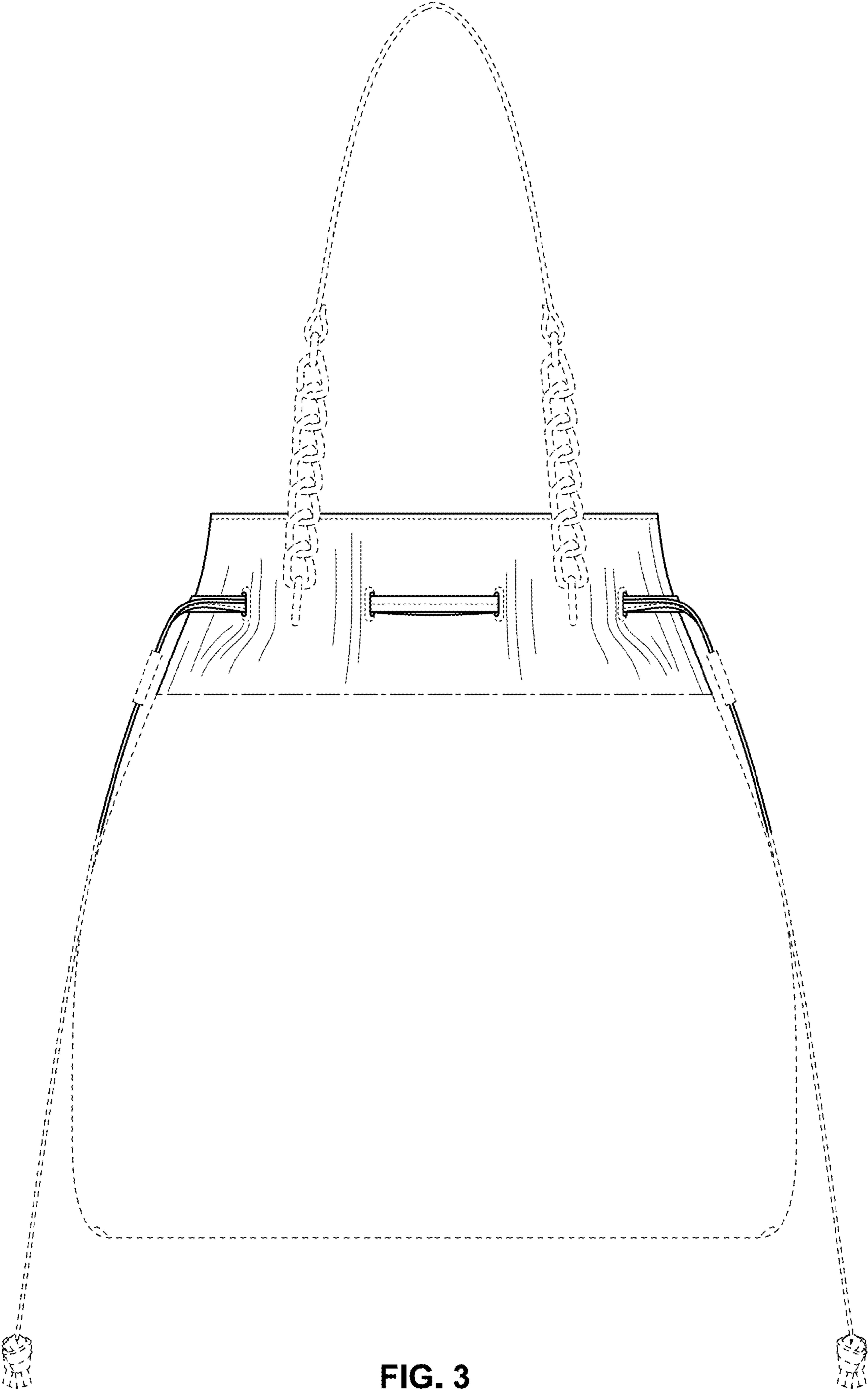


FIG. 3

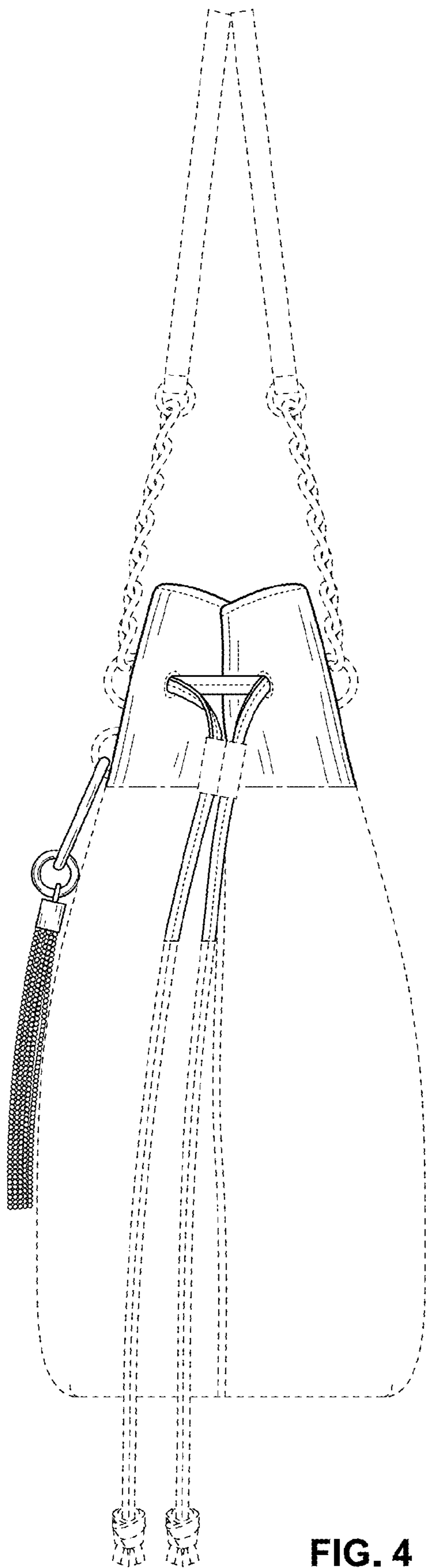


FIG. 4

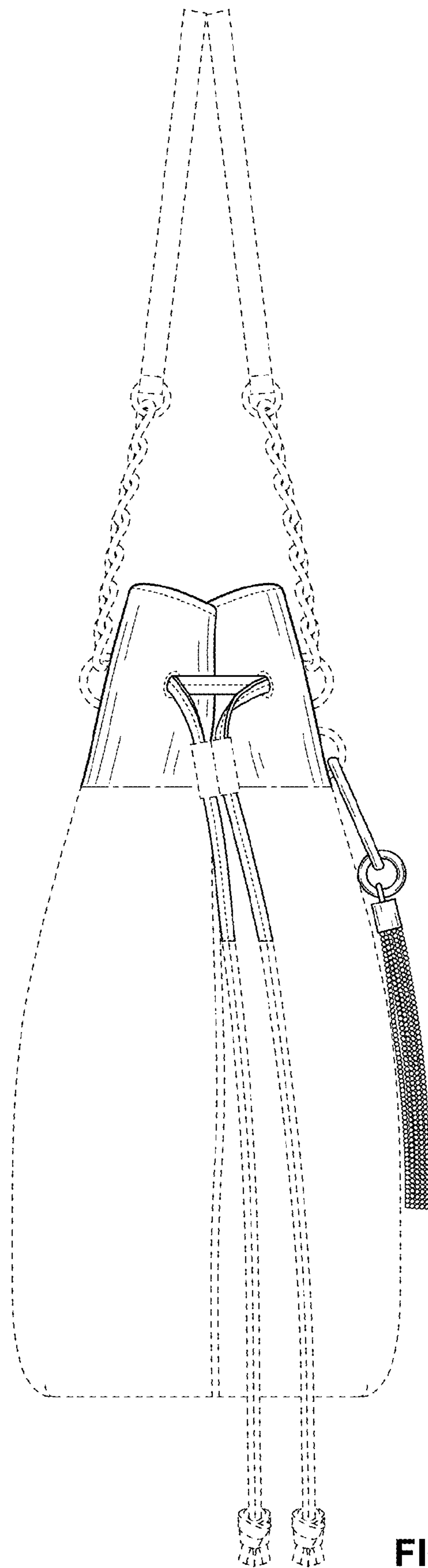


FIG. 5

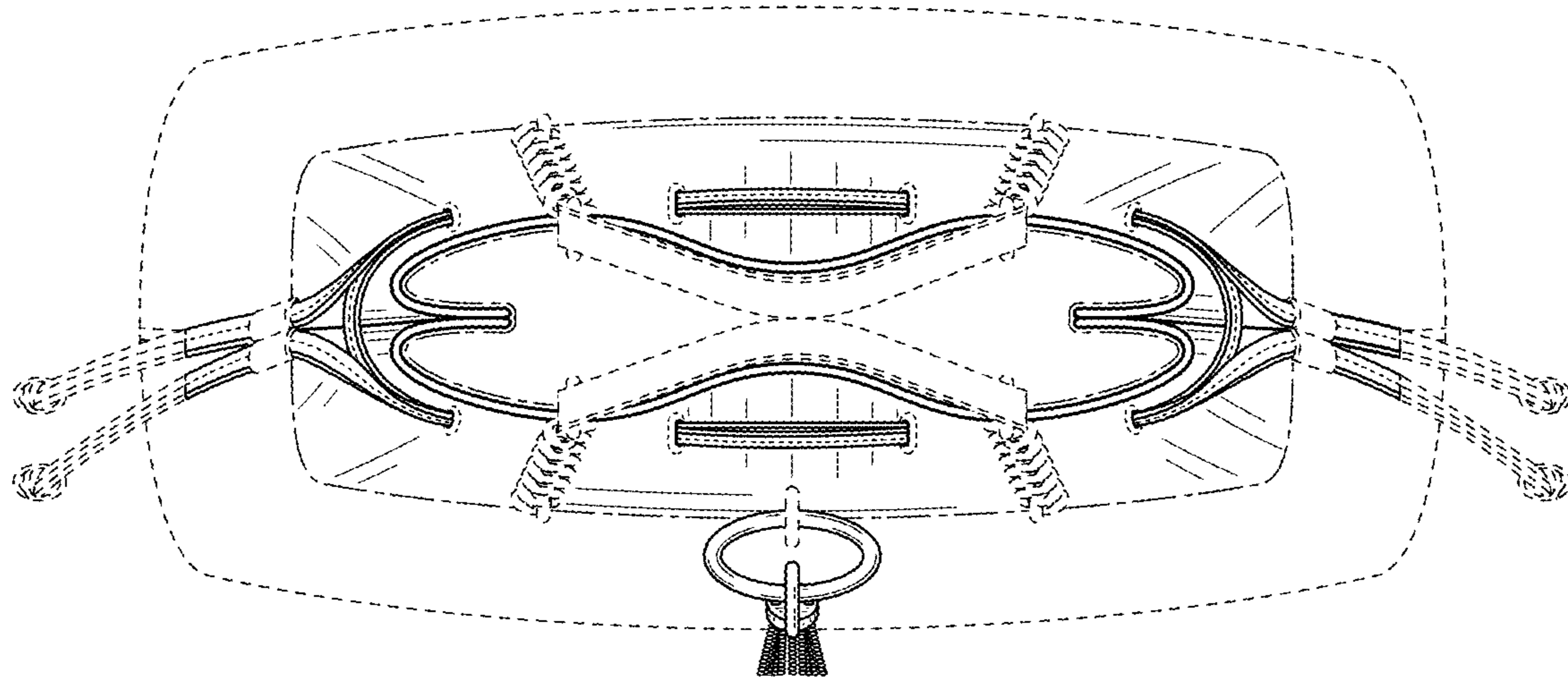


FIG. 6

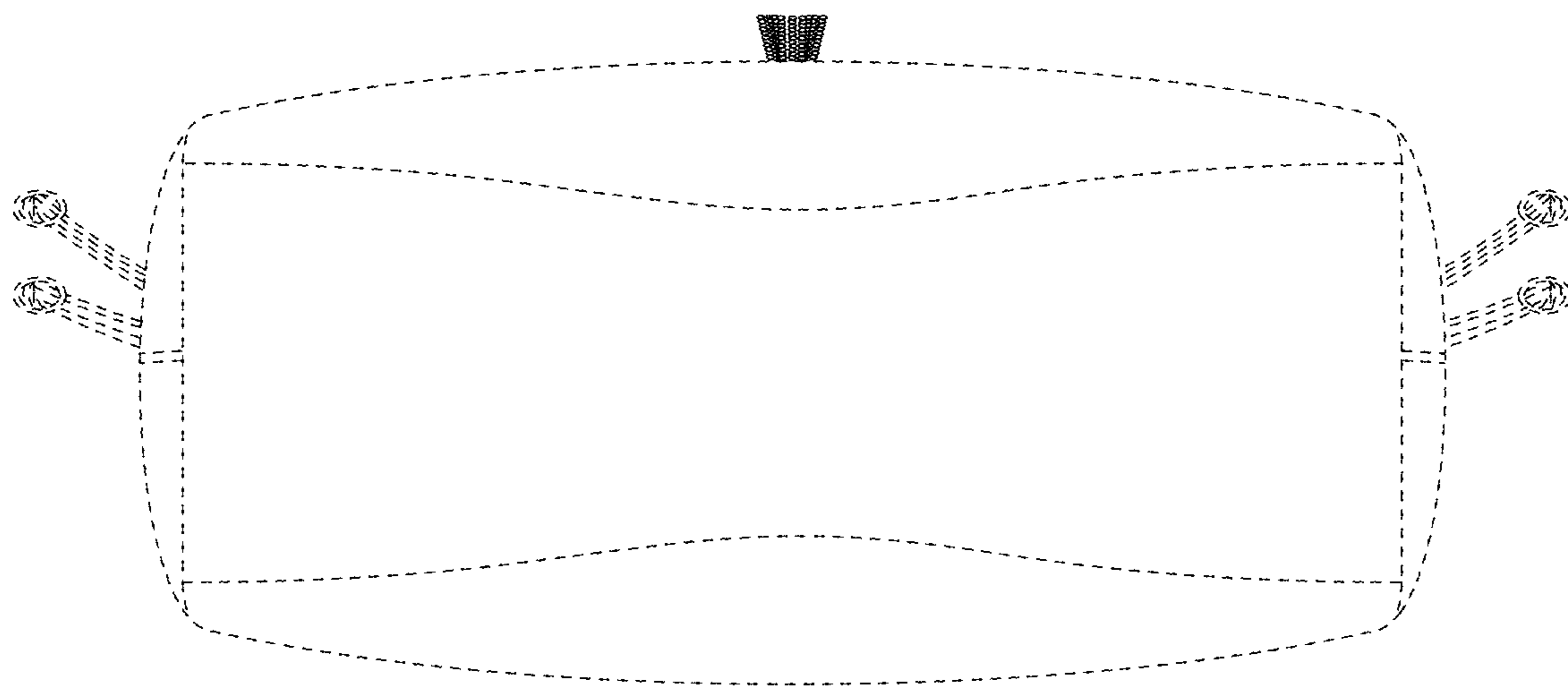


FIG. 7