



US00D937570S

(12) **United States Design Patent** (10) **Patent No.:** **US D937,570 S**
Doyle (45) **Date of Patent:** **** Dec. 7, 2021**

- (54) **HANDBAG**
- (71) Applicant: **Michael L. Doyle**, Cumberland, RI (US)
- (72) Inventor: **Michael L. Doyle**, Cumberland, RI (US)
- (**) Term: **15 Years**
- (21) Appl. No.: **29/730,543**
- (22) Filed: **Apr. 6, 2020**
- (51) **LOC (13) Cl.** **03-01**
- (52) **U.S. Cl.**
USPC **D3/232**
- (58) **Field of Classification Search**
USPC D3/218, 231-233, 243, 245-246, D3/247-253, 303
CPC ... A45C 11/00; A45C 13/26; A45C 2011/002; A45C 3/00; A45C 9/00
See application file for complete search history.

(56) **References Cited**

U.S. PATENT DOCUMENTS

D194,287 S *	12/1962	Proietti	D3/271.12
D248,891 S *	8/1978	Pfleger	D3/246
D268,304 S *	3/1983	Schimmel	D10/31
D351,320 S *	10/1994	Minor	D3/246
D394,156 S *	5/1998	Melanson	D3/271.12
D477,793 S *	7/2003	Udolph	D11/200
D492,619 S *	7/2004	Udolph	D11/200
D497,249 S *	10/2004	Anderson	D3/238
D523,636 S *	6/2006	Wilmink	D3/303
D529,283 S *	10/2006	Vivar	D3/247
8,179,255 B1 *	5/2012	Lamore	G08B 13/1436 340/540
D675,440 S *	2/2013	Mathews	D3/303
D728,929 S *	5/2015	Dumas	D3/247
D753,389 S *	4/2016	Marziari	D3/245
D762,061 S *	7/2016	Serrano	D3/243
D768,121 S *	10/2016	Ormsbee	D14/250

D770,173 S *	11/2016	Brophy	D3/232
D781,051 S *	3/2017	Leopardi	D3/232
D804,180 S *	12/2017	Huang	D3/303
D812,372 S *	3/2018	Ettore Tomasetta	D3/243
D856,666 S *	8/2019	Marzin	D3/232
D868,464 S *	12/2019	Moskowitz	D3/249
D869,155 S *	12/2019	Venturini Fendi	D3/243
D887,132 S *	6/2020	Puglisi	D3/249
2013/0037186 A1 *	2/2013	Randle	A45C 3/08 150/112

* cited by examiner

Primary Examiner — Jennifer L Watkins
Assistant Examiner — Samantha Lynne Brodowski
(74) *Attorney, Agent, or Firm* — Dunlap Bennett & Ludwig, PLLC

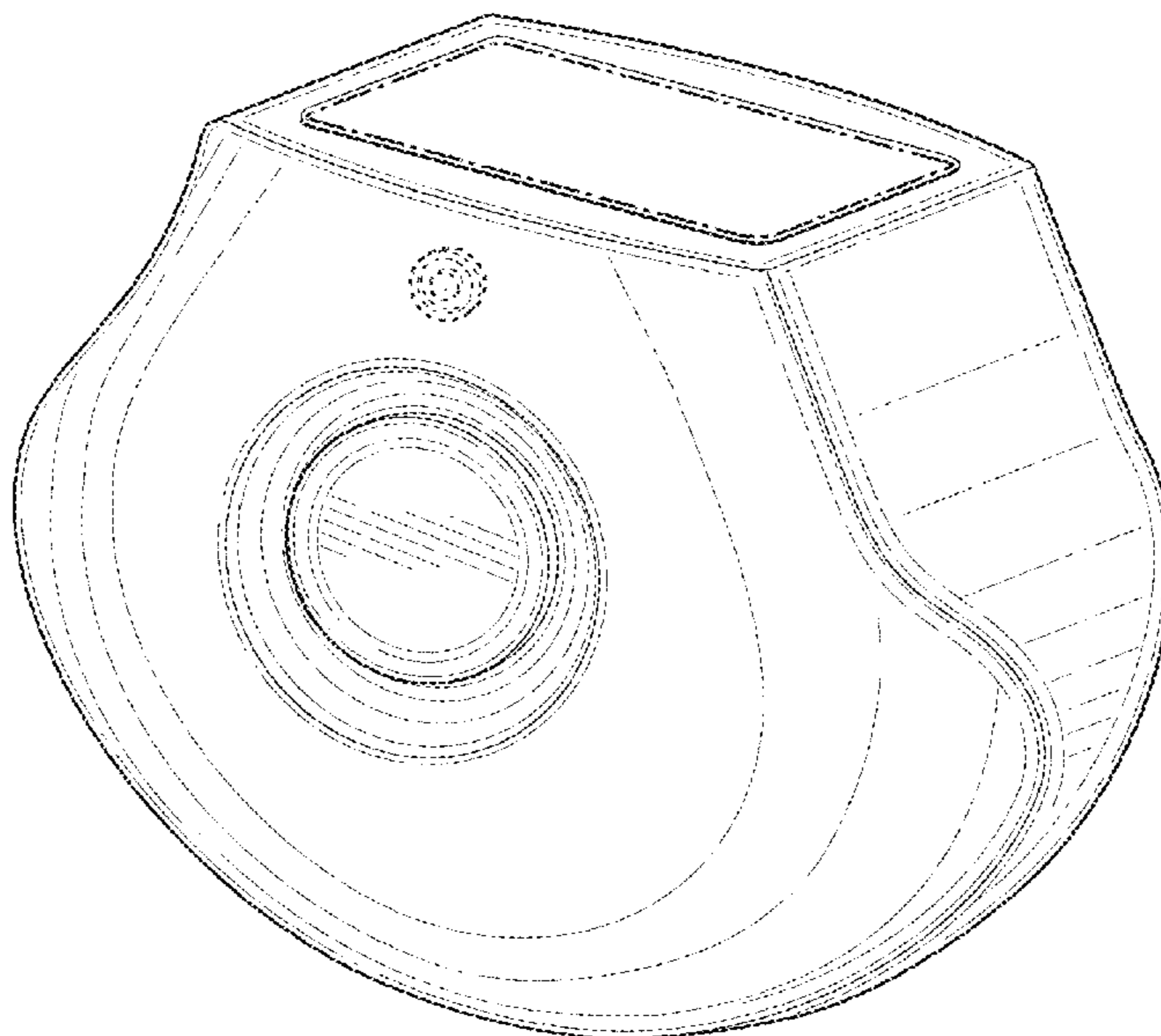
(57) **CLAIM**

The ornamental design for a handbag, as shown and described.

DESCRIPTION

FIG. 1 is a top, front perspective view of the handbag, showing my new design;
 FIG. 2 is a bottom, rear perspective view of the handbag, the bottom, front perspective view being a mirror image thereof except for the unclaimed portions;
 FIG. 3 is a front elevation view of the handbag;
 FIG. 4 is a rear elevation view of the handbag;
 FIG. 5 is a right elevation view of the handbag;
 FIG. 6 is a left elevation view of the handbag;
 FIG. 7 is a top view of the handbag; and,
 FIG. 8 is a bottom view of the handbag.
 The evenly-sized broken lines shown in the drawings depict portions of the handbag that form no part of the claimed design.
 The unevenly-sized broken lines define the bounds of the claimed design and form no part of the claimed design.

1 Claim, 4 Drawing Sheets



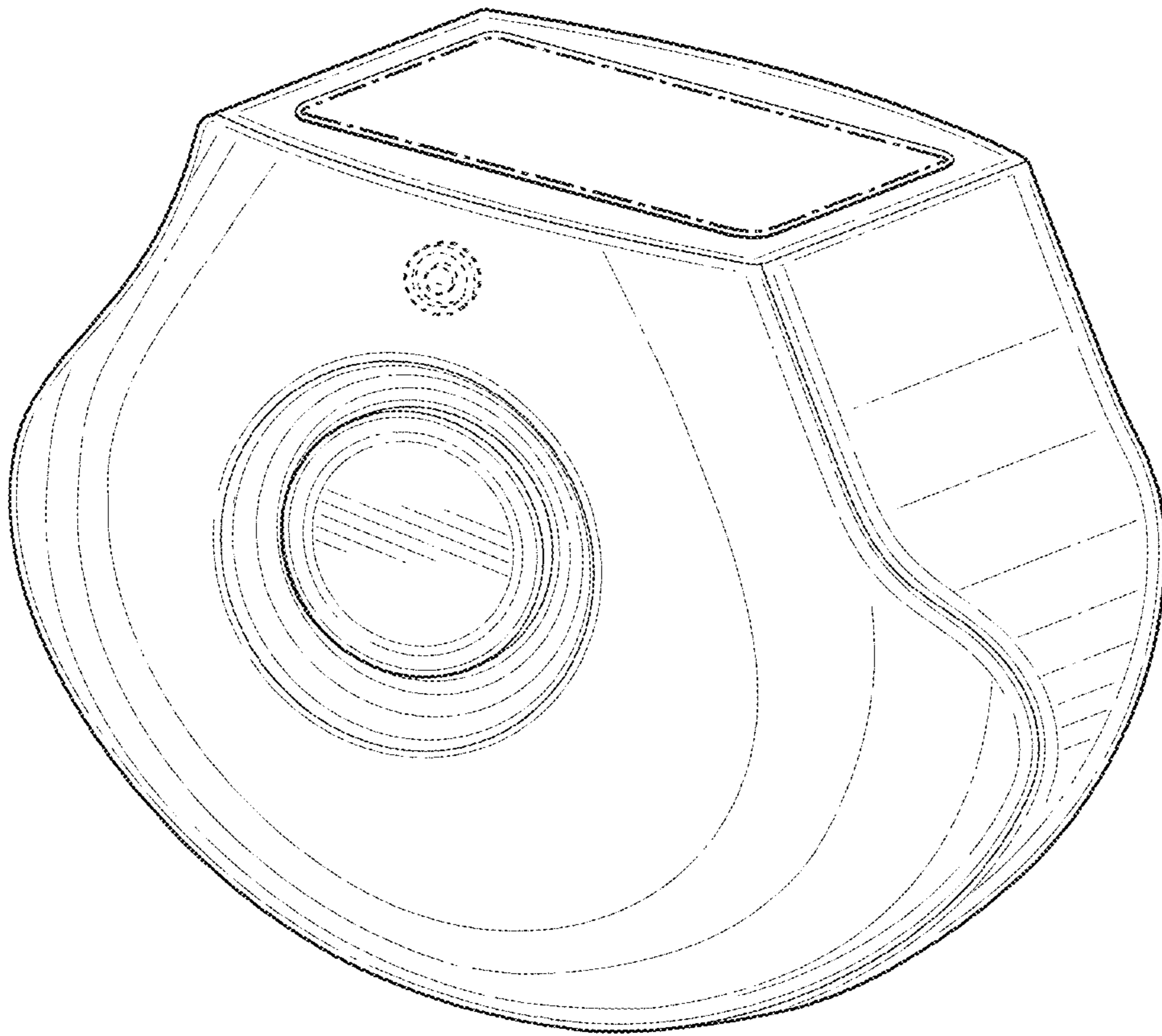


FIG. 1

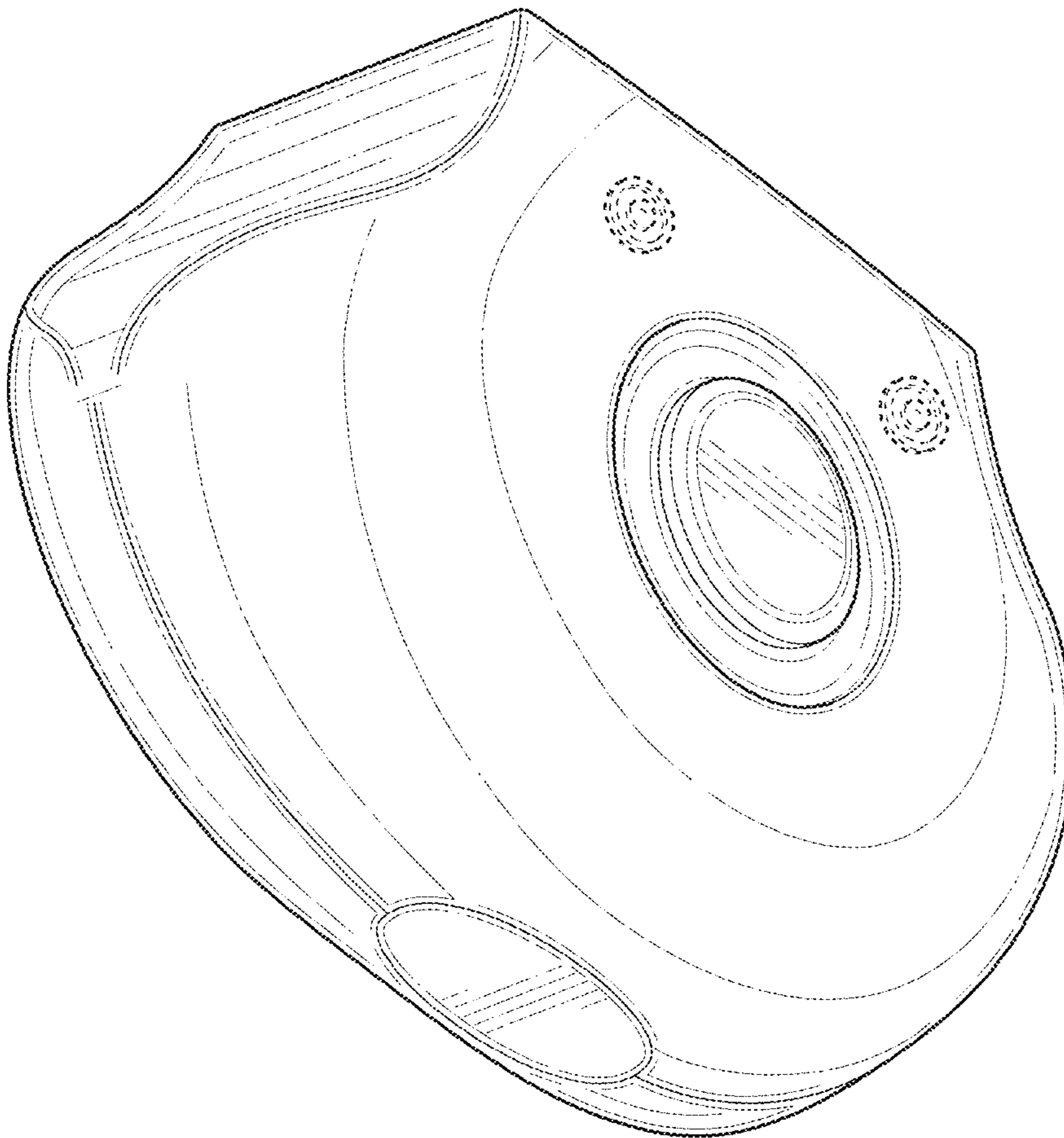


FIG. 2

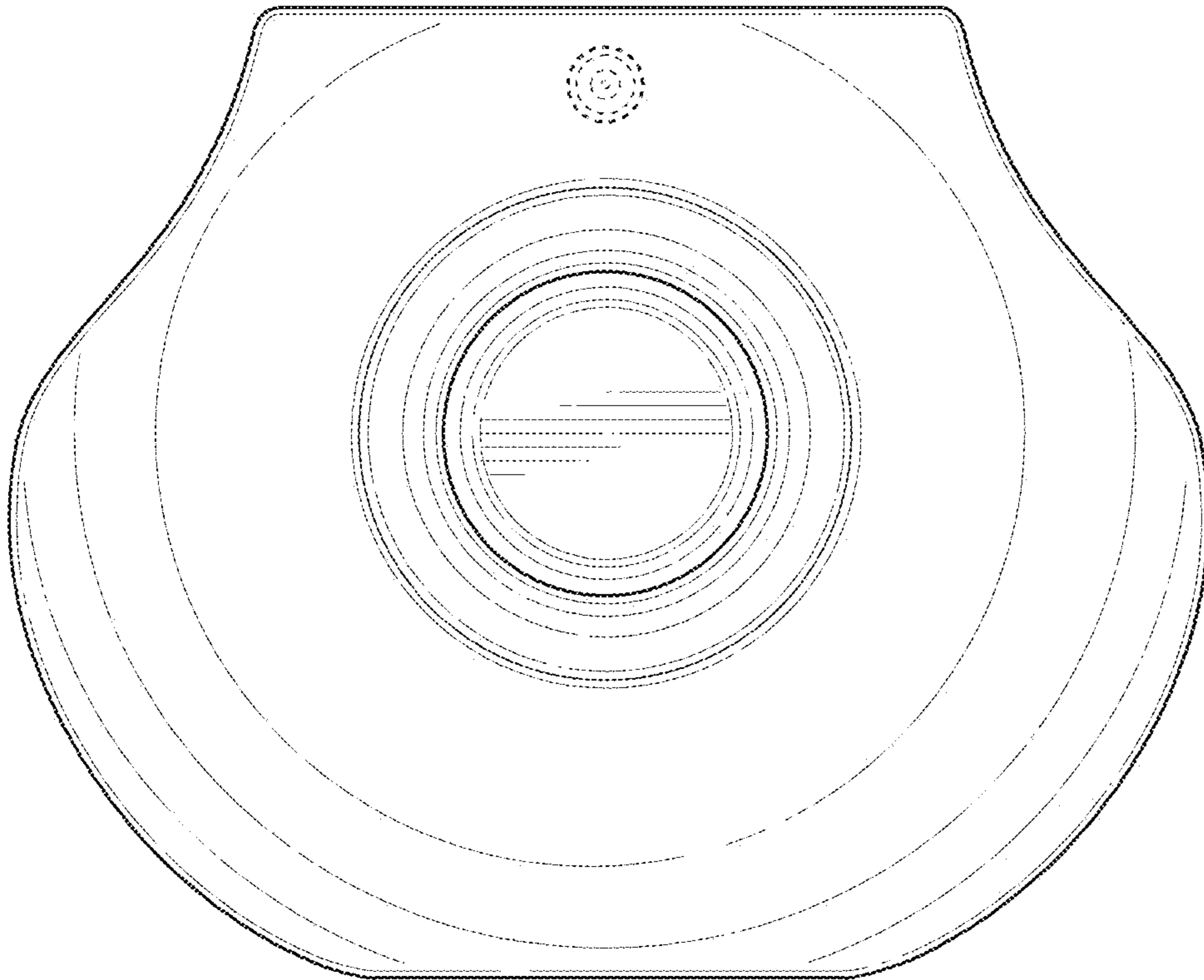


FIG. 3

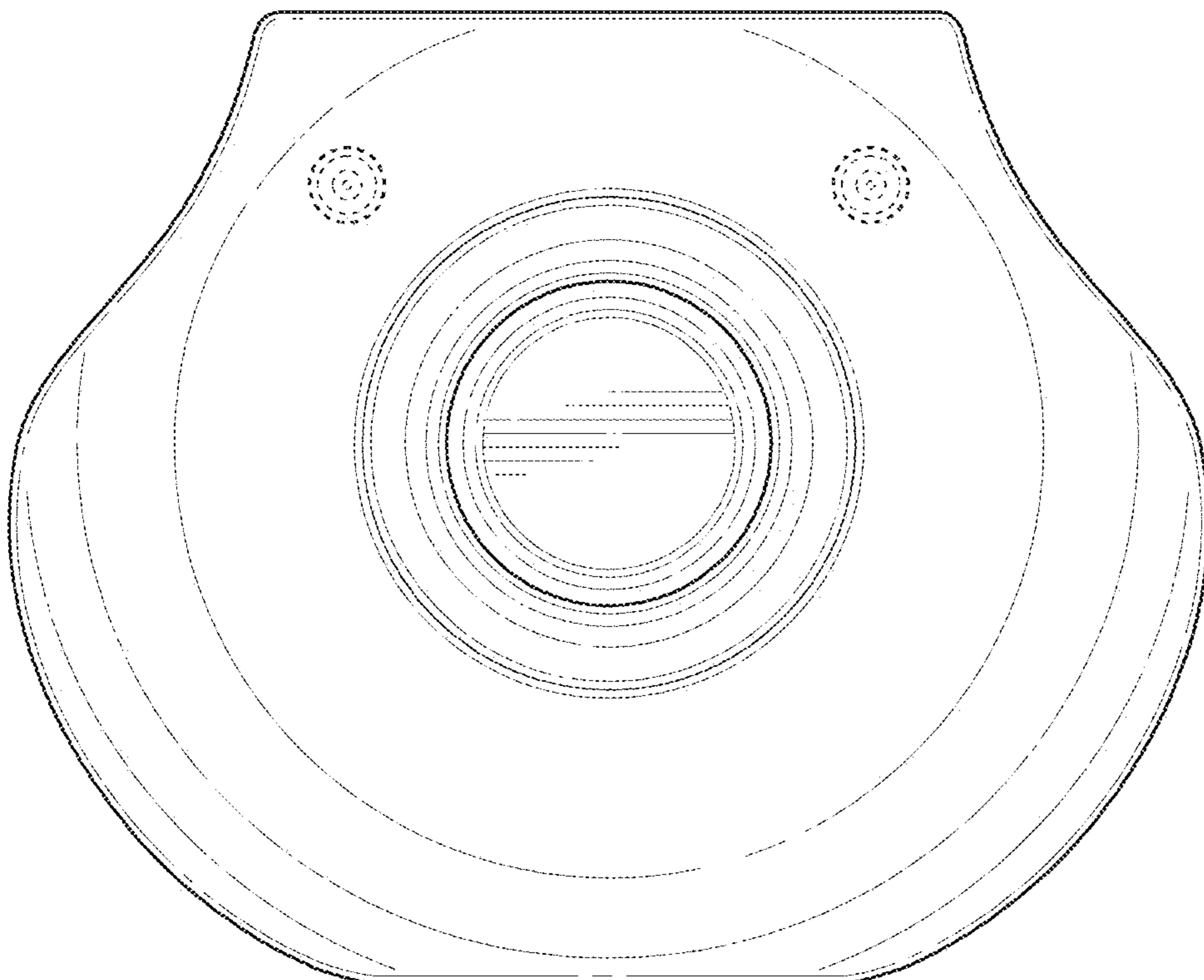


FIG. 4

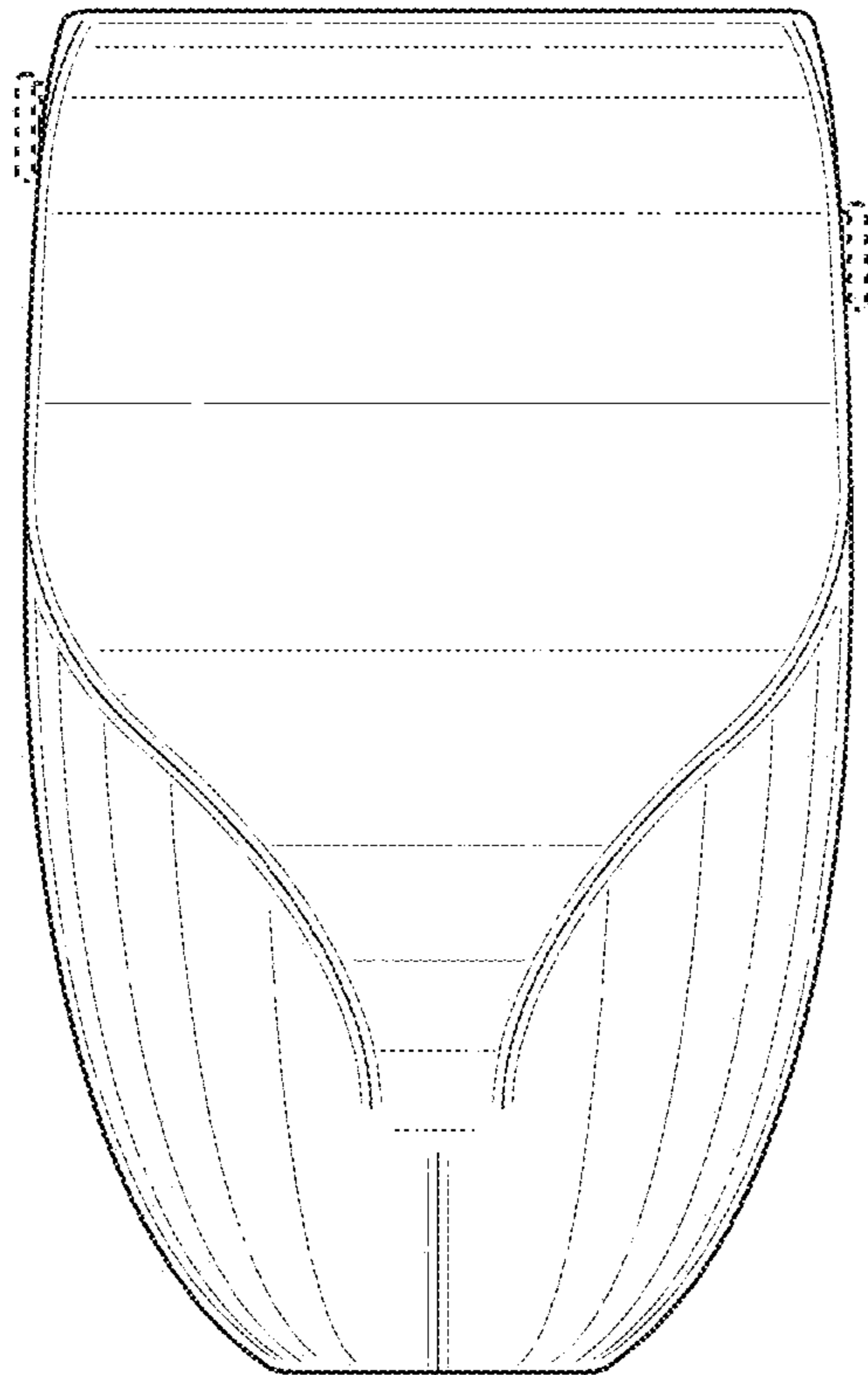


FIG. 5

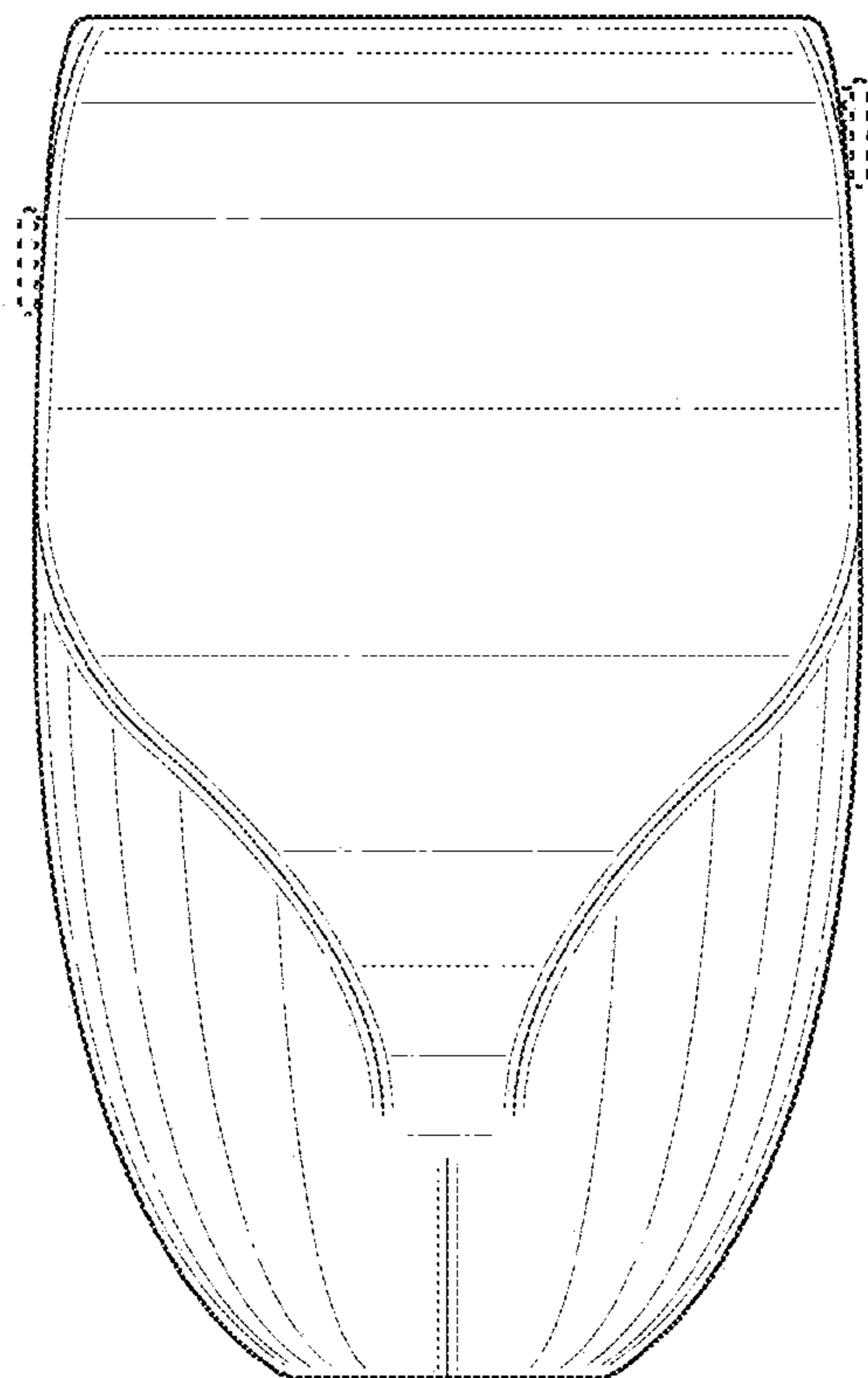


FIG. 6

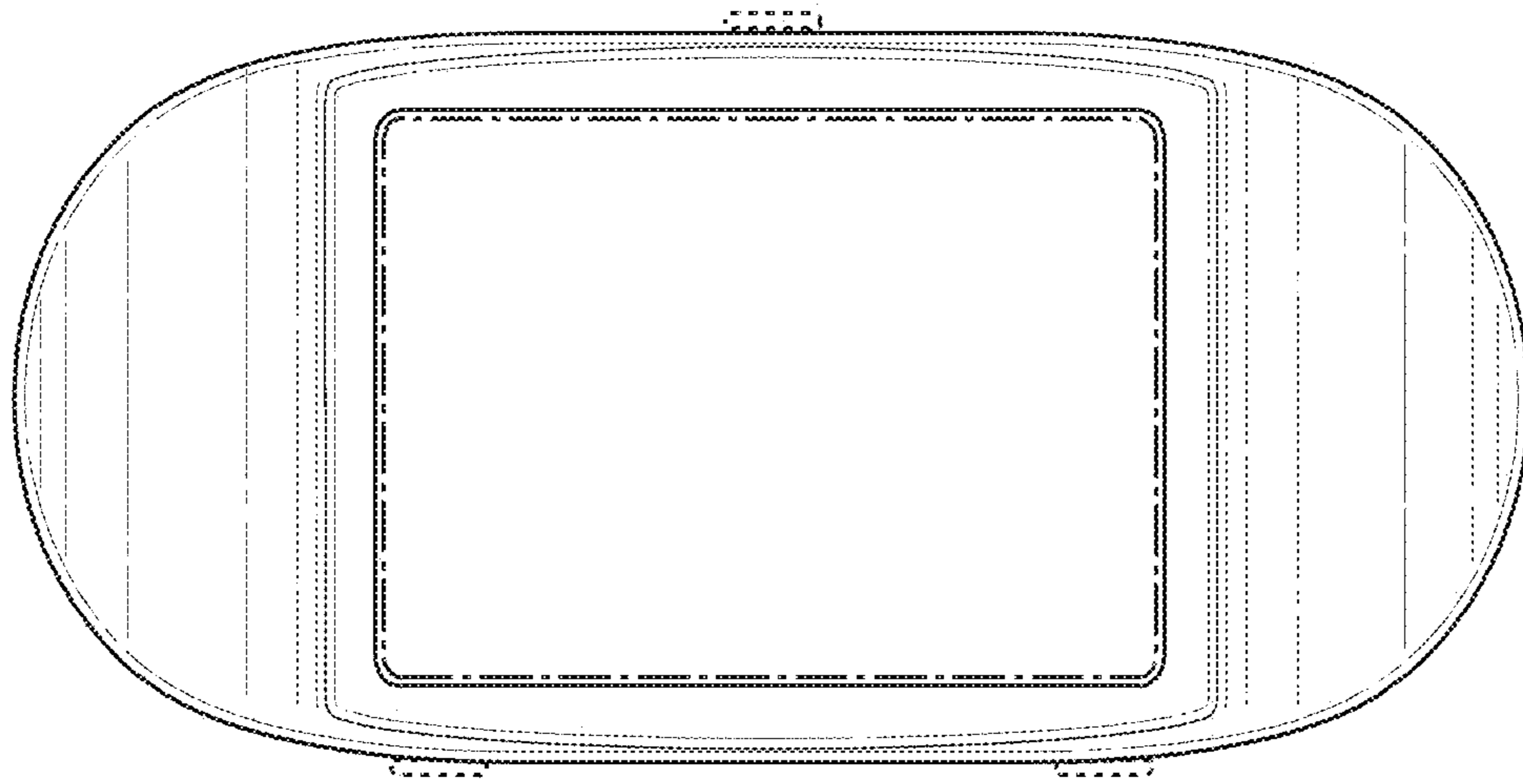


FIG. 7

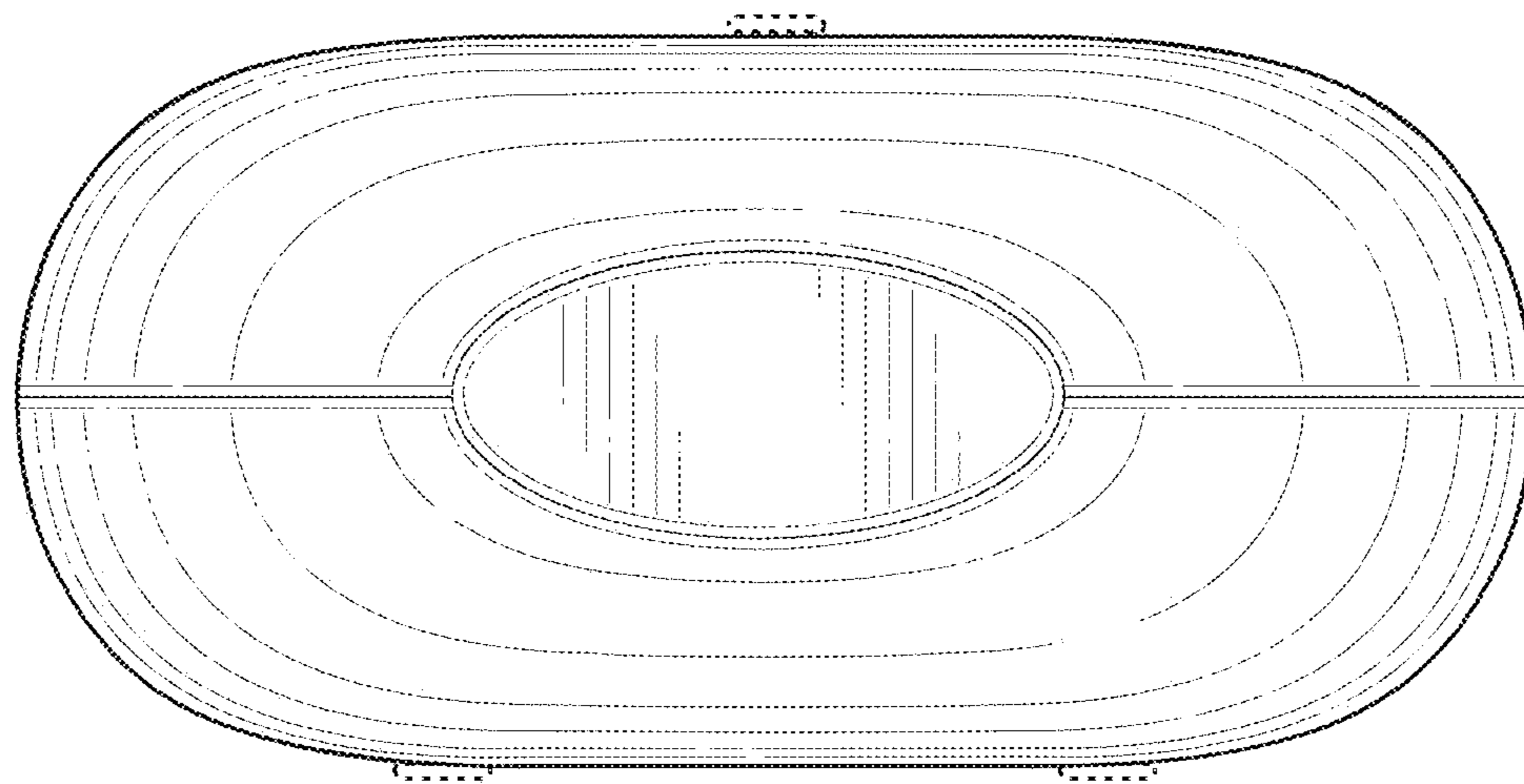


FIG. 8