



US00D937569S

(12) **United States Design Patent**  
**Tang**

(10) **Patent No.:** **US D937,569 S**

(45) **Date of Patent:** **\*\* Dec. 7, 2021**

(54) **HOLSTER BELT**

(71) Applicant: **Jingmin Tang**, Guangdong (CN)

(72) Inventor: **Jingmin Tang**, Guangdong (CN)

(\*\*) Term: **15 Years**

(21) Appl. No.: **29/765,621**

(22) Filed: **Jan. 11, 2021**

(51) **LOC (13) Cl.** ..... **03-01**

(52) **U.S. Cl.**  
USPC ..... **D3/224**

(58) **Field of Classification Search**  
USPC ..... D3/224, 222, 223, 226  
CPC ..... A41D 13/00; A41D 13/0012; A45F 5/02;  
F41C 33/00; F41C 33/041; F41C  
33/0209; F41C 33/046; F41C 33/0236;  
F42B 39/02  
See application file for complete search history.

(56) **References Cited**

**U.S. PATENT DOCUMENTS**

2,324,154	A *	7/1943	Haney	.....	A41D 13/0012
					2/94
3,664,560	A *	5/1972	Perkins	.....	F41C 33/00
					224/677
D637,394	S *	5/2011	Cunningham	.....	D3/228
D790,213	S *	6/2017	O'Driscoll	.....	D3/224
D835,903	S *	12/2018	Kovac	.....	D3/224

D914,361	S *	3/2021	Lam	.....	D3/224
2008/0296327	A1 *	12/2008	Murdoch	.....	A45F 5/021
					224/195
2014/0075650	A1 *	3/2014	Garrison	.....	F41C 33/02
					2/300
2015/0233670	A1 *	8/2015	Galoob	.....	F41C 33/046
					224/587
2017/0343316	A1 *	11/2017	Higdon, Jr.	.....	F42B 39/02
2019/0021476	A1 *	1/2019	Gordon	.....	F41C 33/048

\* cited by examiner

*Primary Examiner* — Catherine R Oliver-Garcia

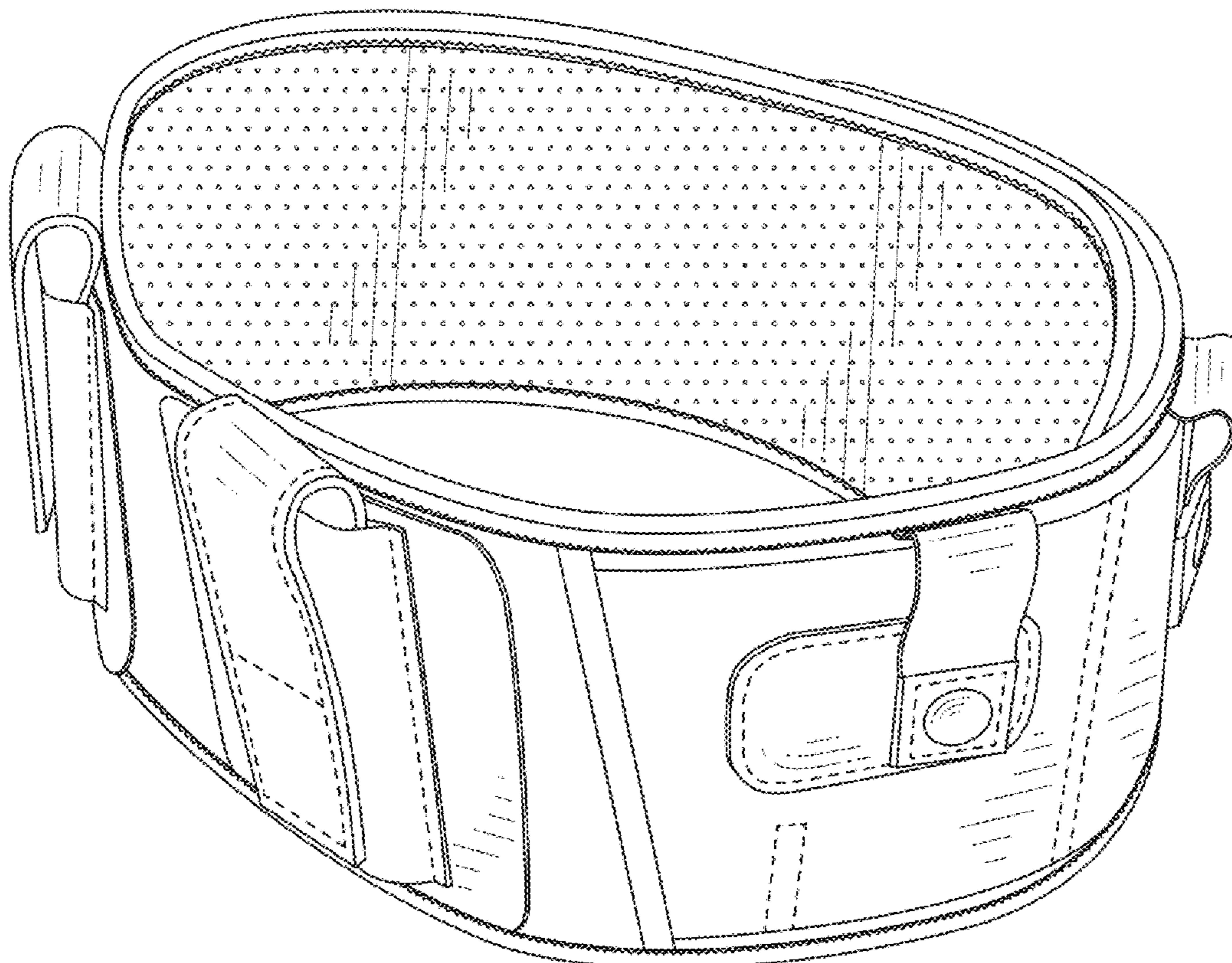
(57) **CLAIM**

The ornamental design for a holster belt, as shown and described.

**DESCRIPTION**

FIG. 1 is a front perspective view of a holster belt, showing my new design;  
 FIG. 2 is a front elevation view thereof;  
 FIG. 3 is a rear elevation view thereof;  
 FIG. 4 is a left side elevation view thereof;  
 FIG. 5 is a right side elevation view thereof;  
 FIG. 6 is a top plan view thereof;  
 FIG. 7 is a bottom plan view thereof;  
 FIG. 8 is another perspective view thereof, shown in an alternative position; and,  
 FIG. 9 is an exploded view of the holster belt.  
 The broken lines shown in the drawings depict stitching which forms part of the claimed design.

**1 Claim, 9 Drawing Sheets**



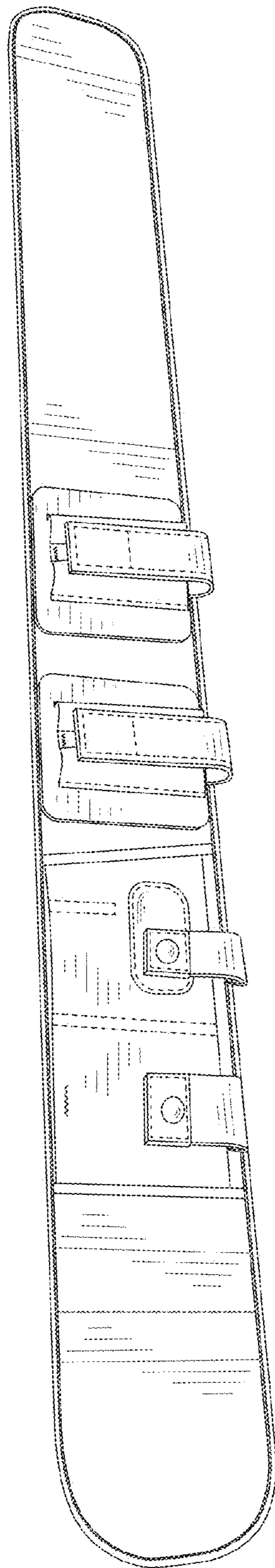


FIG. 1

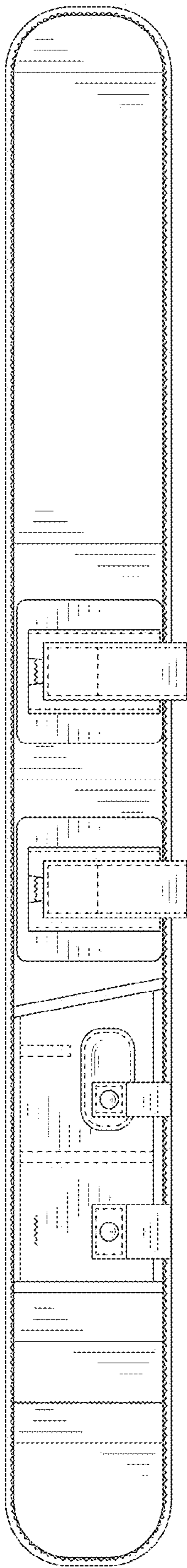


FIG. 2

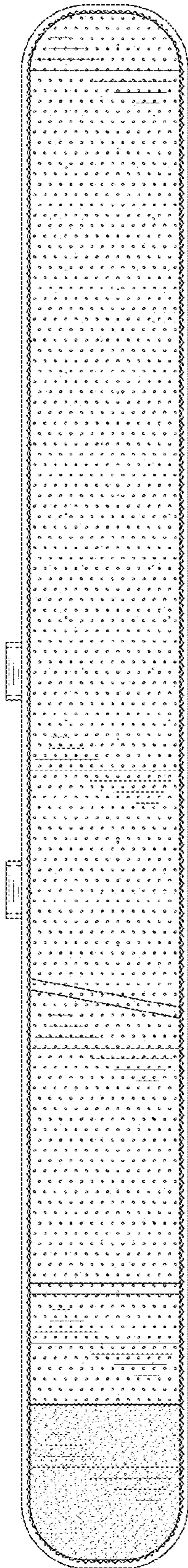


FIG. 3

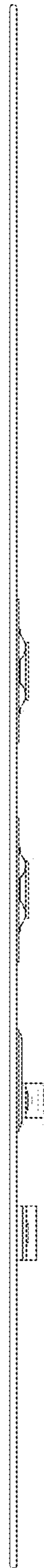


FIG. 4

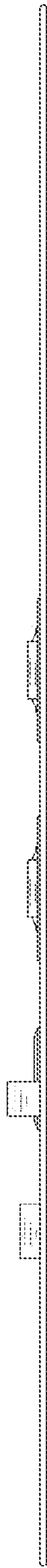


FIG. 5

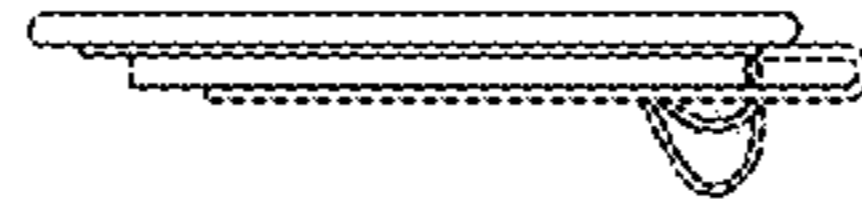


FIG. 6

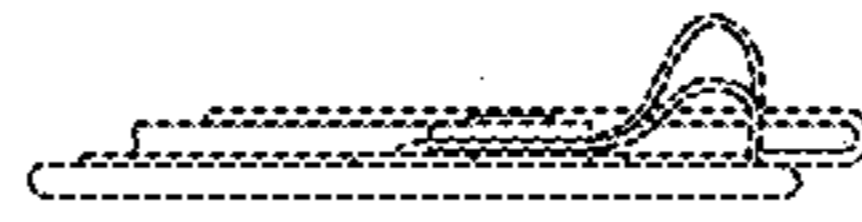


FIG. 7



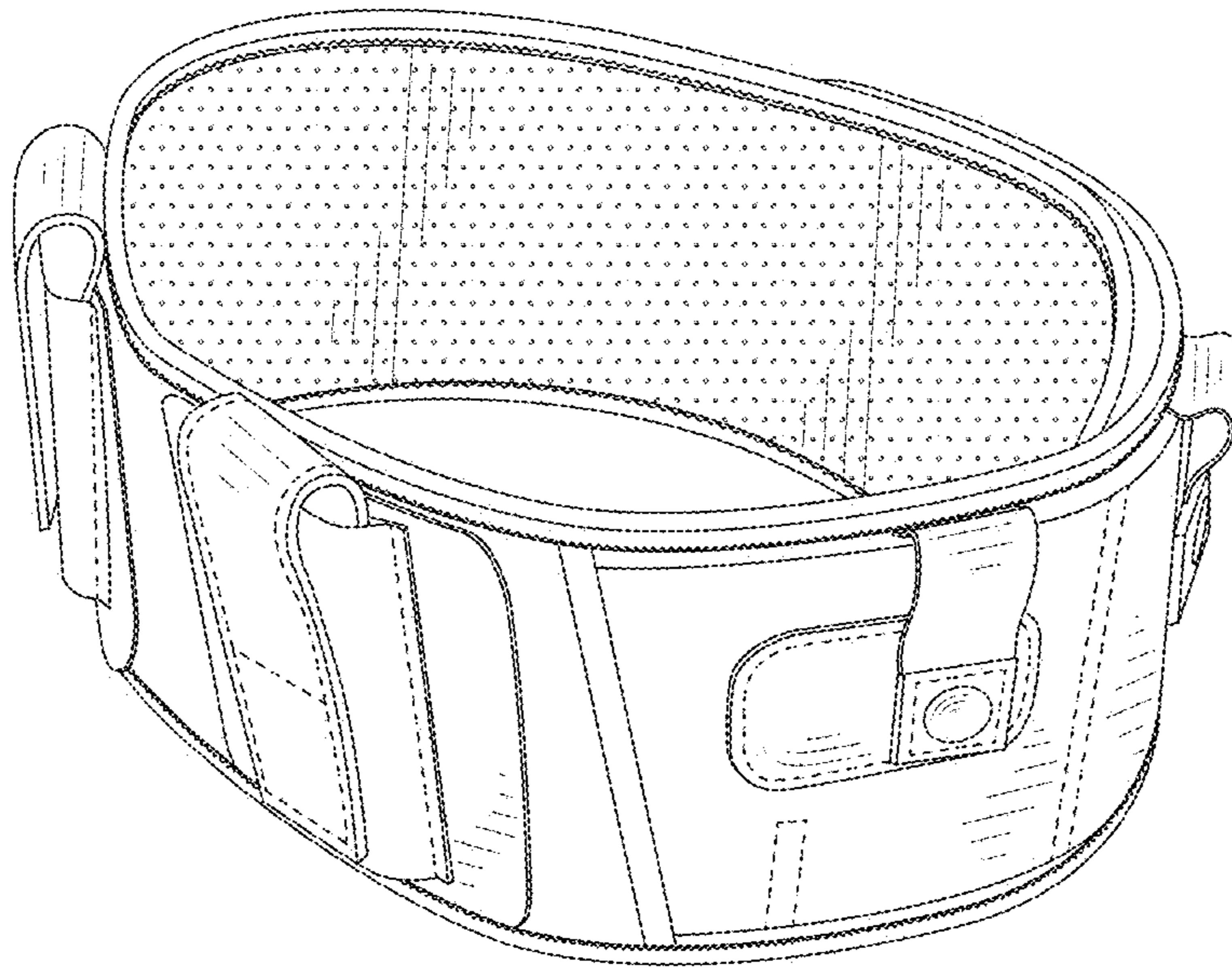


FIG. 8

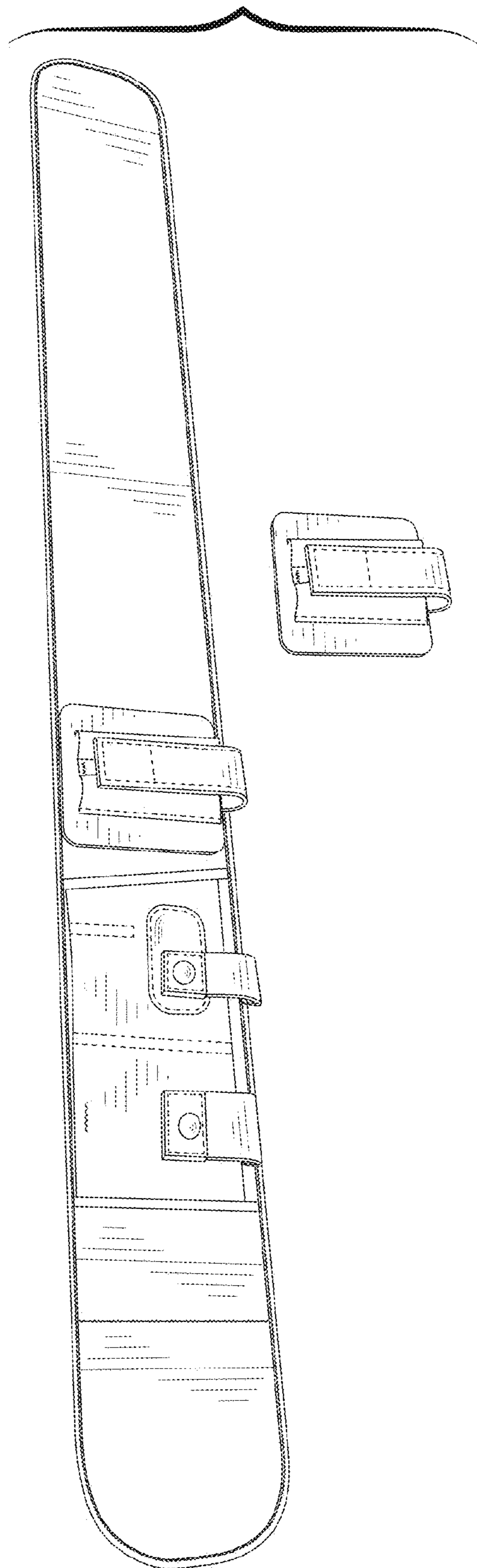


FIG. 9