



US00D937567S

(12) **United States Design Patent** (10) **Patent No.:** **US D937,567 S**
Eisenhardt et al. (45) **Date of Patent:** **** Dec. 7, 2021**

(54) **BACKPACK**
(71) Applicant: **Milwaukee Electric Tool Corporation**,
Brookfield, WI (US)
(72) Inventors: **Scott D. Eisenhardt**, Milwaukee, WI
(US); **Grant T. Squiers**, Cudahy, WI
(US); **Zachary W. Richman**,
Milwaukee, WI (US)
(73) Assignee: **Milwaukee Electric Tool Corporation**,
Brookfield, WI (US)
(**) Term: **15 Years**
(21) Appl. No.: **29/666,173**
(22) Filed: **Oct. 10, 2018**
(51) **LOC (13) Cl.** **03-01**
(52) **U.S. Cl.**
USPC **D3/217; D3/905**
(58) **Field of Classification Search**
USPC **D3/217, 226, 273, 276, 283, 289, 290,**
D3/301, 900, 905
CPC **A45C 11/00; A45C 3/001; A45C 13/02;**
A45C 2013/026; B25H 3/00
See application file for complete search history.

D875,387 S * 2/2020 Lee D3/217
D893,183 S * 8/2020 Eisenhardt D3/283
D899,079 S * 10/2020 Priest D3/217

OTHER PUBLICATIONS

Home Depot, "15 in. PACKOUT Backpack", First comment posted
Nov. 17, 2018. (<https://www.homedepot.com/p/Milwaukee-15-in-PACKOUT-Backpack-48-22-8301/307635674>) (Year: 2018).*

* cited by examiner

Primary Examiner — April Rivas

(74) *Attorney, Agent, or Firm* — Reinhart Boerner Van
Deuren s.c.

(57) **CLAIM**

We claim the ornamental design for a backpack, as shown
and described.

DESCRIPTION

FIG. 1 is a perspective view from above of an embodiment
of the claimed design;
FIG. 2 is a perspective view from below of the claimed
design of FIG. 1;
FIG. 3 is a front view of the claimed design of FIG. 1;
FIG. 4 is a rear view of the claimed design of FIG. 1;
FIG. 5 is a left side view of the claimed design of FIG. 1;
FIG. 6 is a right side view of the claimed design of FIG. 1;
FIG. 7 is a top view of the claimed design of FIG. 1; and,
FIG. 8 is a bottom view of the claimed design of FIG. 1.
The ornamental design which is claimed is shown in solid
lines in the drawings. The broken lines illustrate portions of
the backpack and form no part of the claimed design.

1 Claim, 8 Drawing Sheets

(56) **References Cited**

U.S. PATENT DOCUMENTS

D444,942 S * 7/2001 Melnick D3/216
D569,099 S * 5/2008 Gossett D3/217
7,886,884 B2 * 2/2011 King A45C 13/02
190/109
D710,085 S * 8/2014 Szewczyk D3/217
D772,562 S * 11/2016 Petre D3/216
D796,188 S * 9/2017 Ho D3/217
D843,107 S * 3/2019 Swaggart D3/217
D861,329 S * 10/2019 Wei D3/217

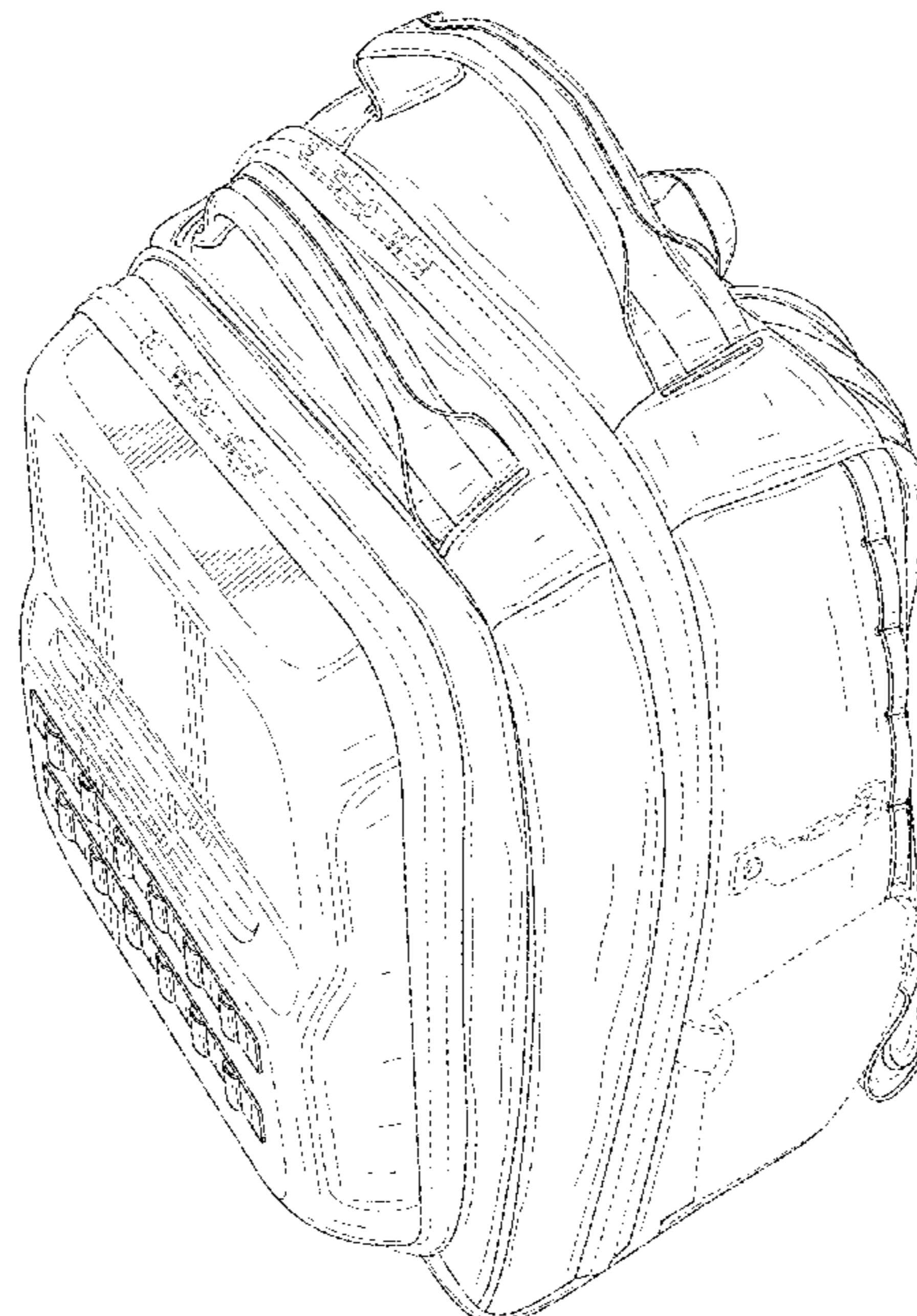




FIG. 1

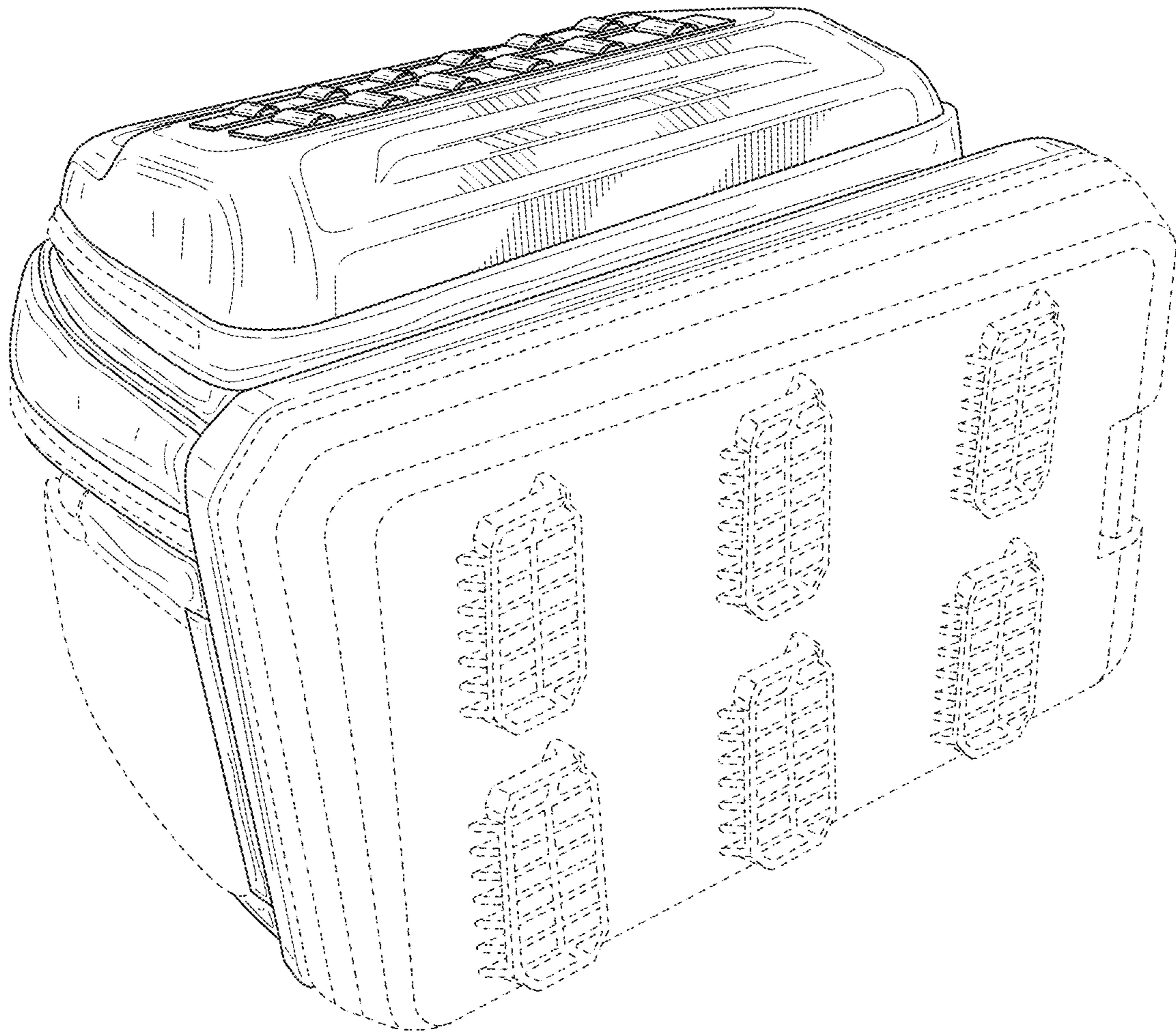


FIG. 2

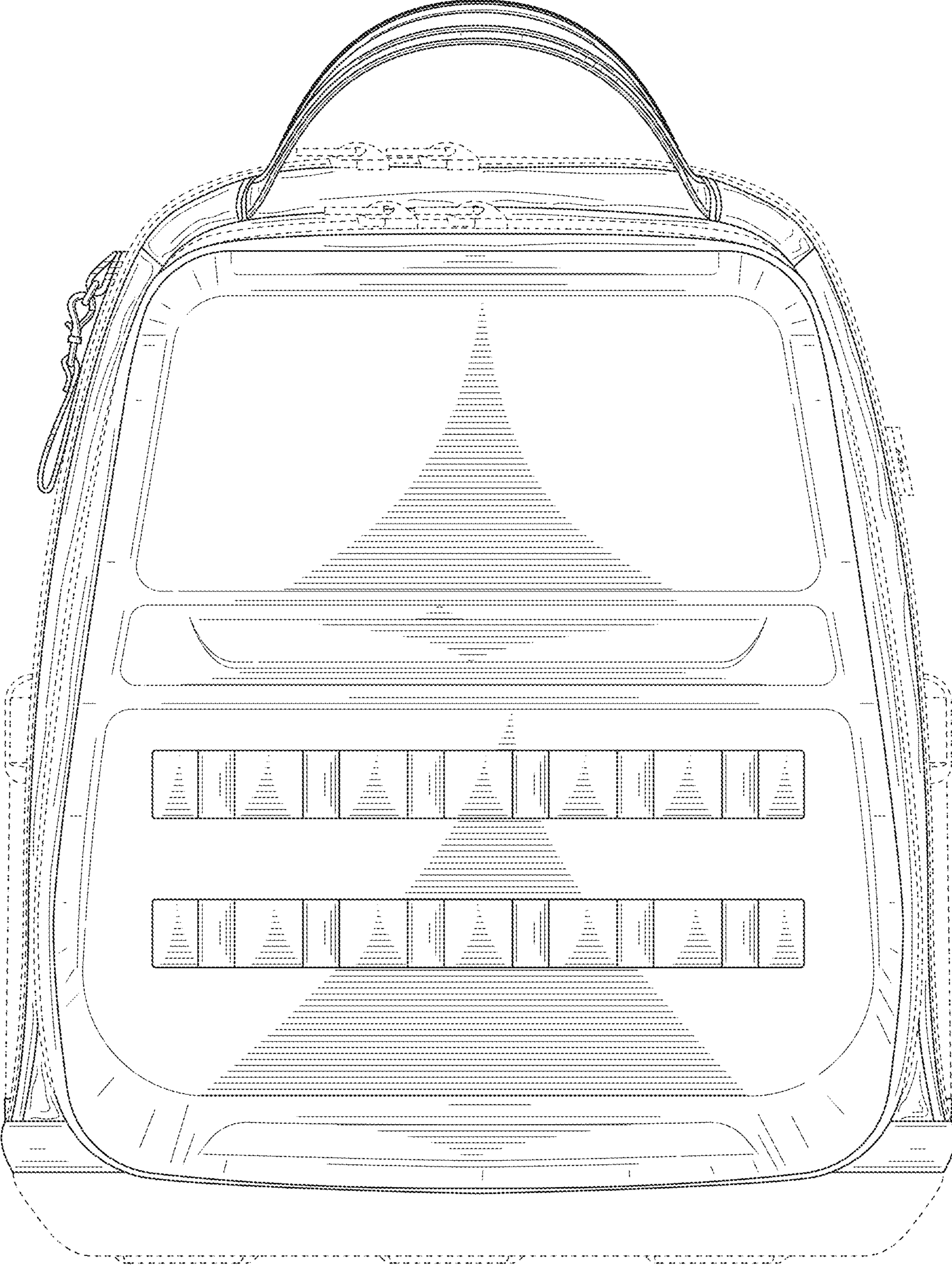


FIG. 3

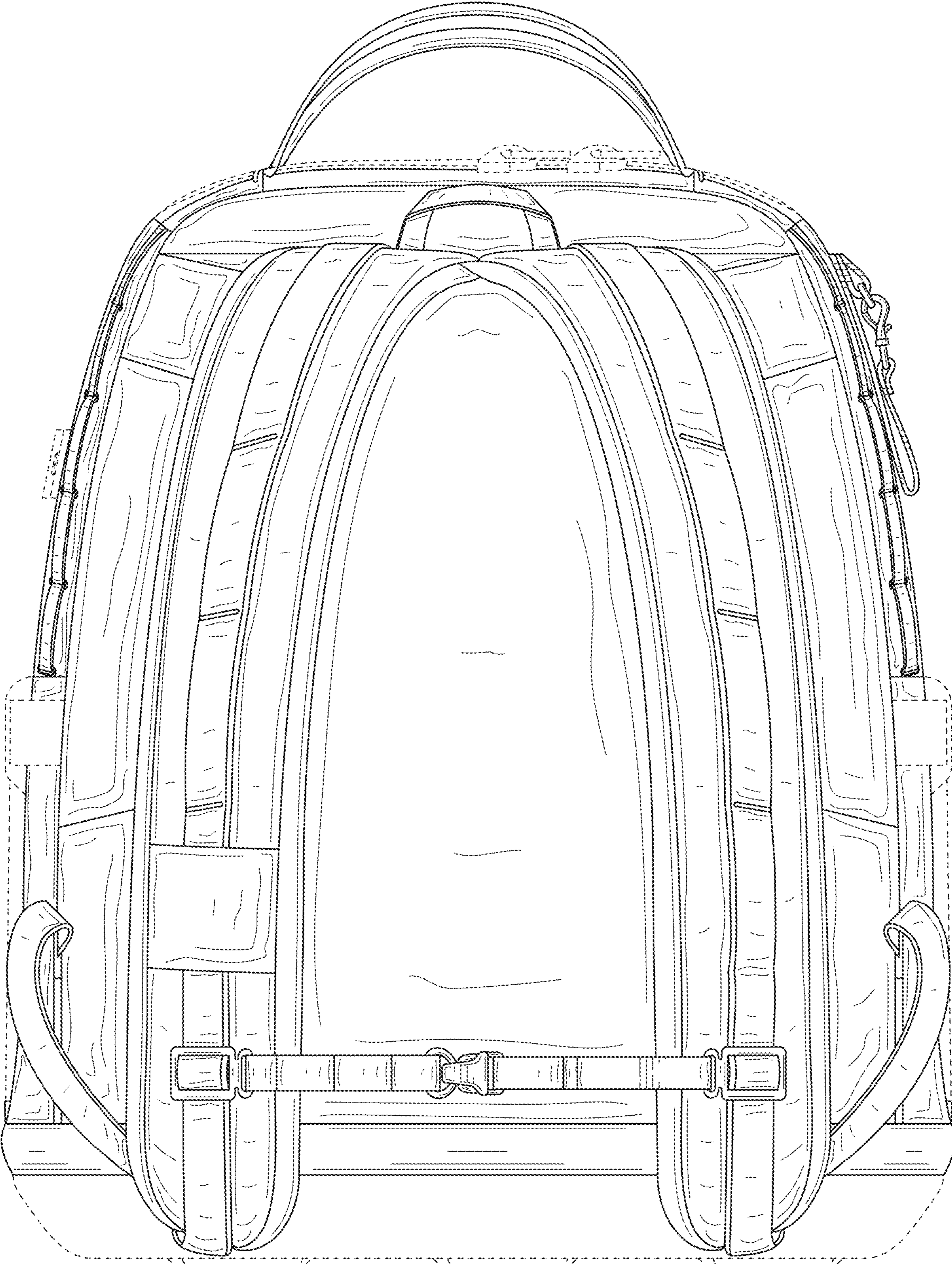


FIG. 4

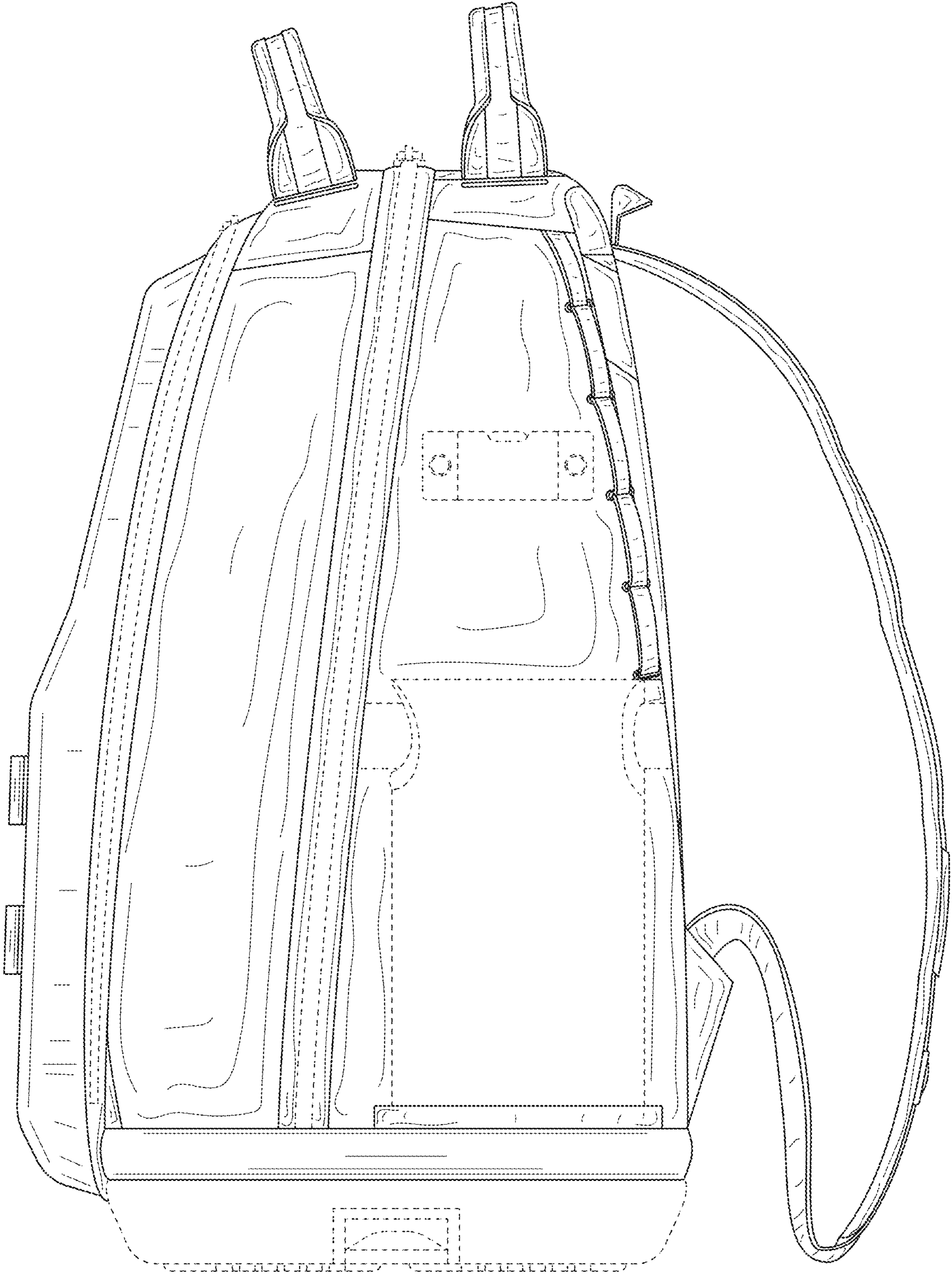


FIG. 5



FIG. 6

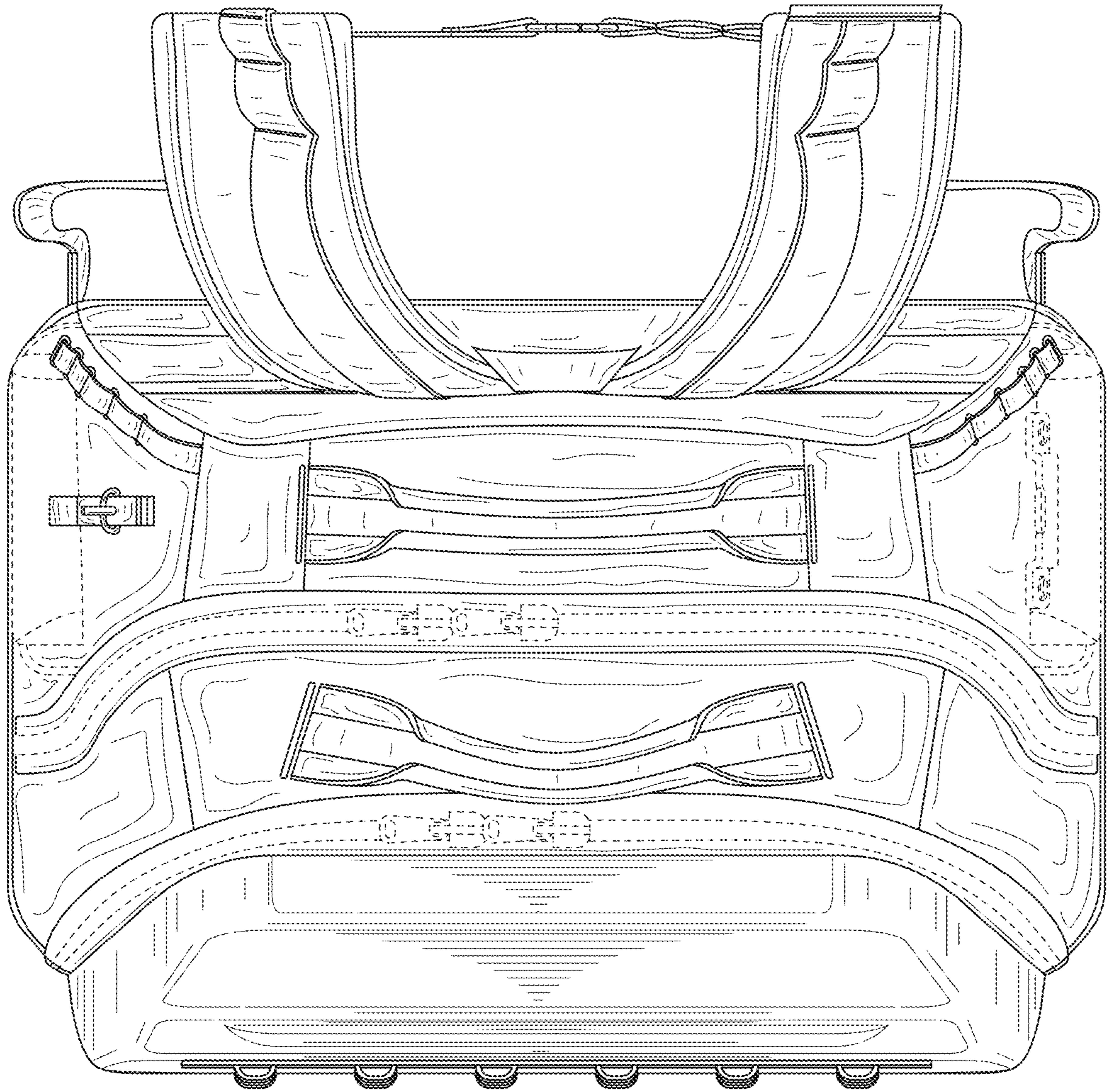


FIG. 7

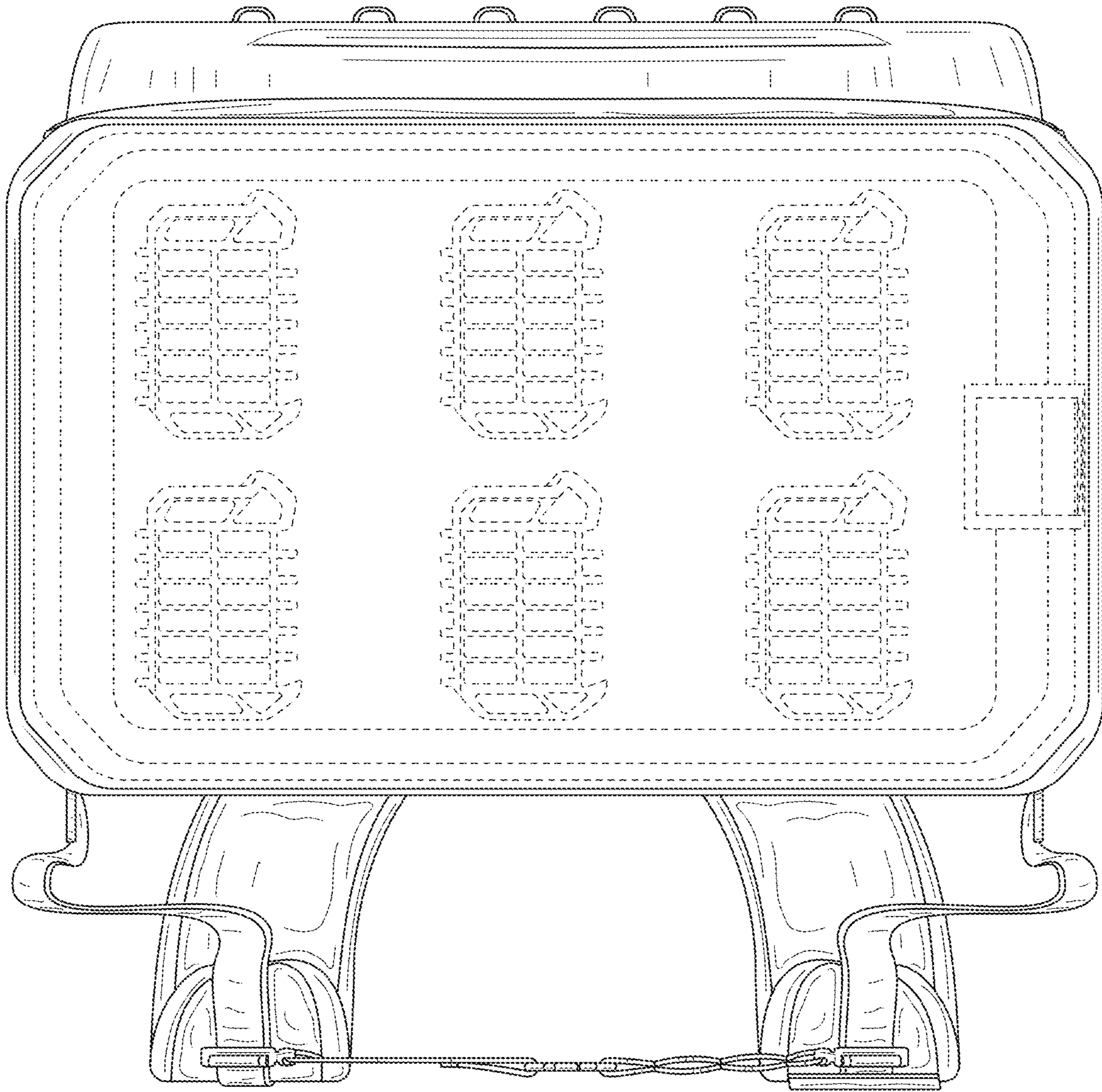


FIG. 8