

US00D937565S

(12) **United States Design Patent** (10) **Patent No.:** **US D937,565 S**
Blanchette (45) **Date of Patent:** **** Dec. 7, 2021**

(54) **TAMPON CASE**
(71) Applicant: **Arrie Annie Blanchette**, Harpers Ferry, WV (US)
(72) Inventor: **Arrie Annie Blanchette**, Harpers Ferry, WV (US)
(**) Term: **15 Years**
(21) Appl. No.: **29/652,567**
(22) Filed: **Sep. 22, 2020**

Related U.S. Application Data

(63) Continuation-in-part of application No. 29/695,479, filed on Jun. 19, 2019, now abandoned.
(51) **LOC (13) Cl.** **03-01**
(52) **U.S. Cl.**
USPC **D3/203.5**
(58) **Field of Classification Search**
USPC D3/201, 203.1, 203.5, 205, 273, 294, D3/295; D9/734
CPC A61J 1/10; A61F 13/55145; B65D 79/00; B65D 79/005; B65D 81/00; B65D 81/09; B65D 81/36; B65D 33/002
See application file for complete search history.

References Cited

U.S. PATENT DOCUMENTS

D329,328 S * 9/1992 Stephens D28/78
D365,206 S * 12/1995 Goodman D3/273
D391,393 S * 3/1998 Chan D3/201
5,730,294 A * 3/1998 Blosser A45C 13/02
206/581
D395,746 S * 7/1998 Barackman D3/201
D425,303 S * 5/2000 Klonowski D3/201
D427,424 S * 7/2000 Conway D3/203.5
D432,784 S * 10/2000 Conway D3/203.5
D470,769 S * 2/2003 Holthaus D9/430

D481,533 S * 11/2003 McGillivray D3/206
D484,681 S * 1/2004 Eldon, III D3/203.5
D489,609 S * 5/2004 Holthaus D9/430
D494,359 S * 8/2004 Eldon, III D3/203.5
D502,097 S * 2/2005 Holthaus D9/430
D502,811 S * 3/2005 Premper D3/273
D511,248 S * 11/2005 Premper D3/273
D525,024 S * 7/2006 Fridie D3/201
D539,641 S * 4/2007 Tanner D3/203.1
D543,690 S * 6/2007 Fishman D3/201
D560,487 S * 1/2008 Boettcher D3/294
D576,788 S * 9/2008 Ludden-Biegel D3/203.5
D606,299 S * 12/2009 Boomhour D3/201
D618,905 S * 7/2010 Watson D3/203.5
D629,201 S * 12/2010 Demarco D3/294
D643,618 S * 8/2011 Guichet D3/203.1
D651,790 S * 1/2012 Groves D3/203.5
D684,042 S * 6/2013 Betzig D9/420

(Continued)

Primary Examiner — Steven J Czyn

(74) *Attorney, Agent, or Firm* — Dunlap Bennett & Ludwig, PLLC; Anna L. Kinney

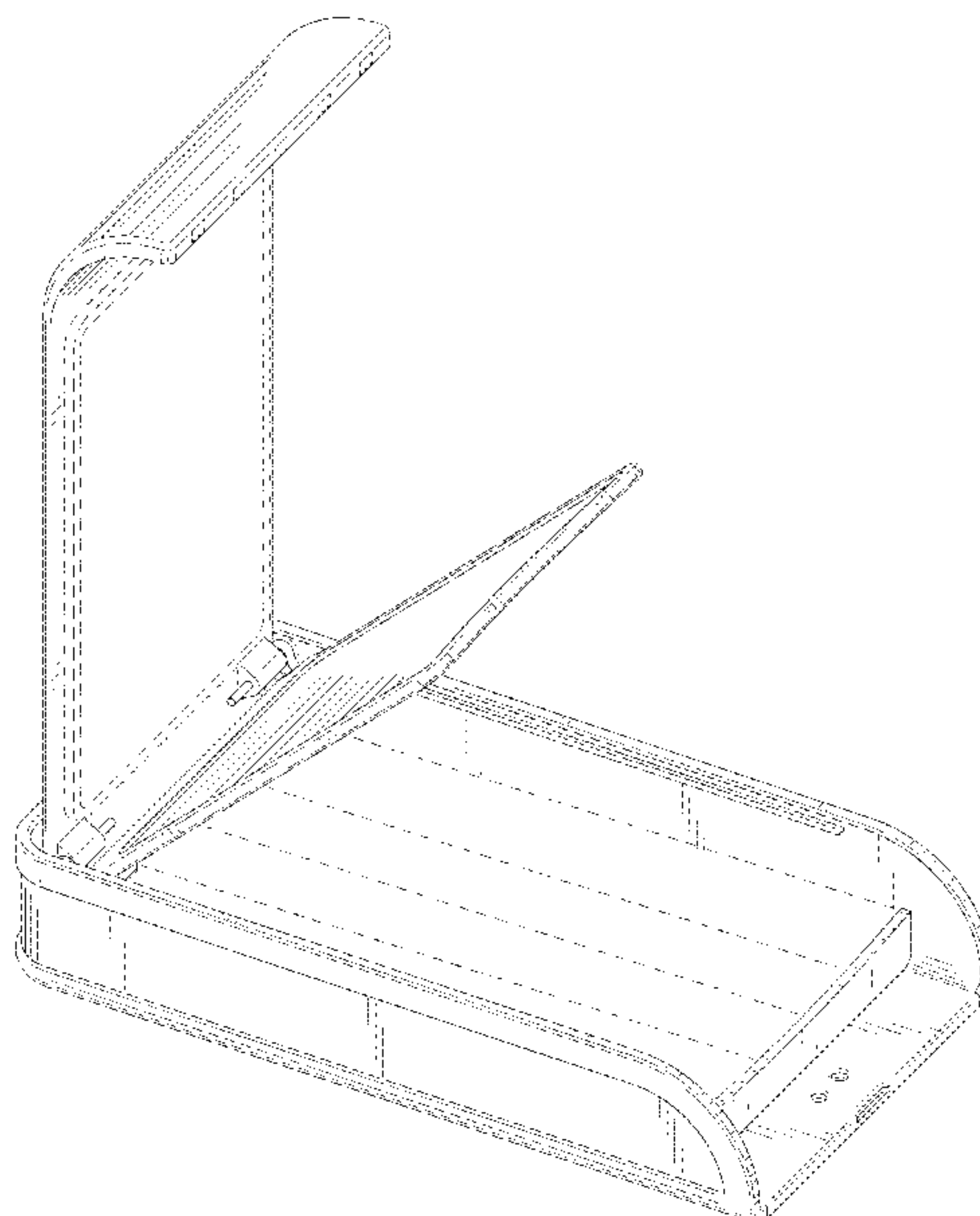
(57) **CLAIM**

The ornamental design for a tampon case, as shown and described.

DESCRIPTION

FIG. 1 is a top front perspective view of a tampon case showing my new design;
FIG. 2 is a front elevation view thereof, the rear elevation view being a mirror image thereof;
FIG. 3 is a right elevation view thereof;
FIG. 4 is a left elevation view thereof;
FIG. 5 is a top elevation view thereof;
FIG. 6 is a bottom elevation view thereof; and,
FIG. 7 is a top front perspective view thereof, shown in a closed position.
The broken lines shown in the drawings depict portions of the article that form no part of the claimed design.

1 Claim, 5 Drawing Sheets



(56)

References Cited

U.S. PATENT DOCUMENTS

D728,216	S	*	5/2015	Click	D3/203.5
D728,217	S	*	5/2015	Click	D3/203.5
D747,868	S	*	1/2016	Steka	D3/201
D758,735	S	*	6/2016	Hernandez	A45C 11/008 D3/319
D823,593	S	*	7/2018	Giannopoulos	D3/203.1
D823,594	S	*	7/2018	Newman	D3/203.5
D841,311	S	*	2/2019	Young	D3/203.1
D861,324	S	*	10/2019	EGGE	D3/203.2
D874,062	S	*	1/2020	McGarry	D28/47
D893,167	S	*	8/2020	Edmunds	D3/203.5
D902,578	S	*	11/2020	Bloch	D3/203.1
D905,426	S	*	12/2020	Li	D3/205
D908,346	S	*	1/2021	Blanchette	D3/203.5

* cited by examiner

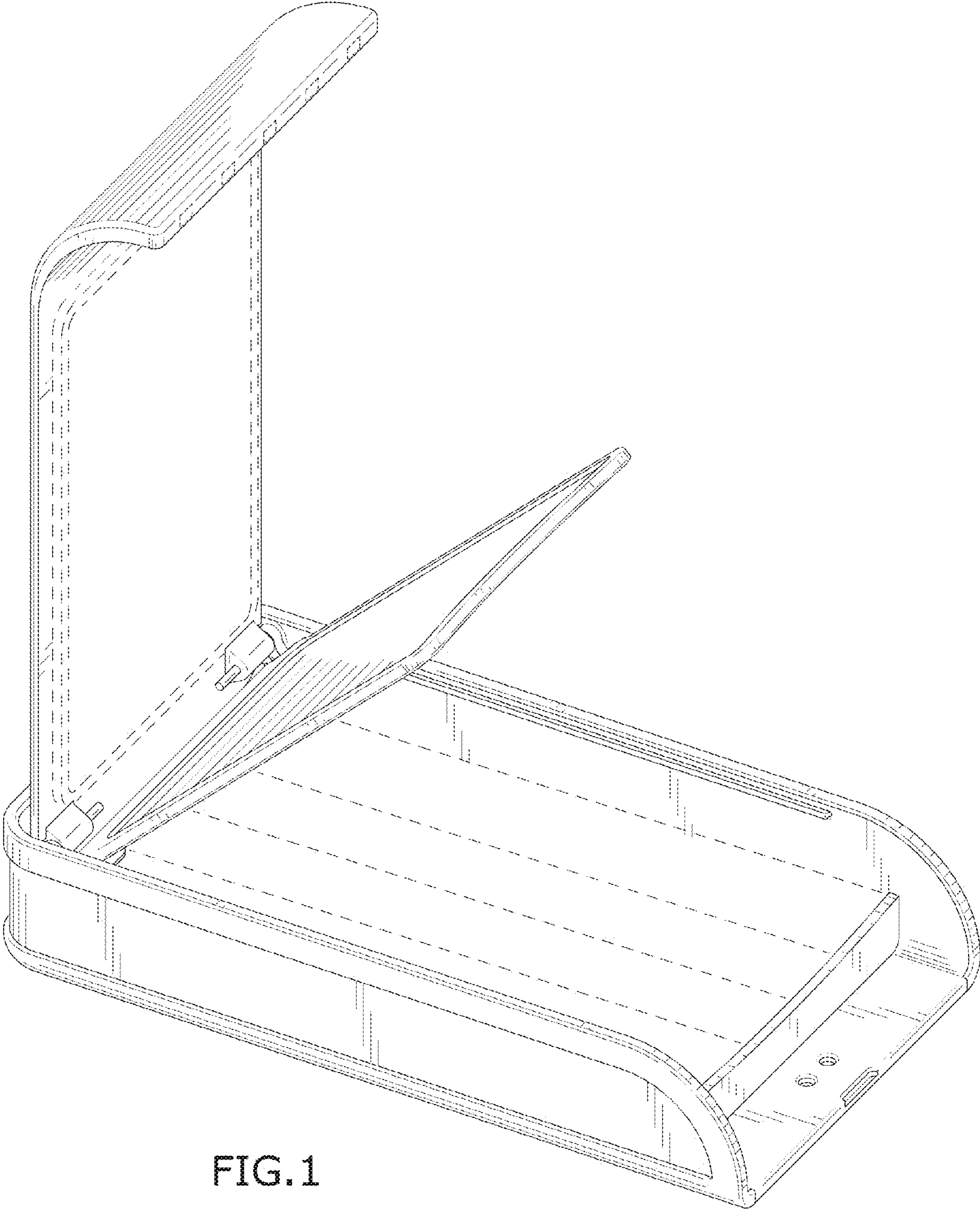


FIG. 1

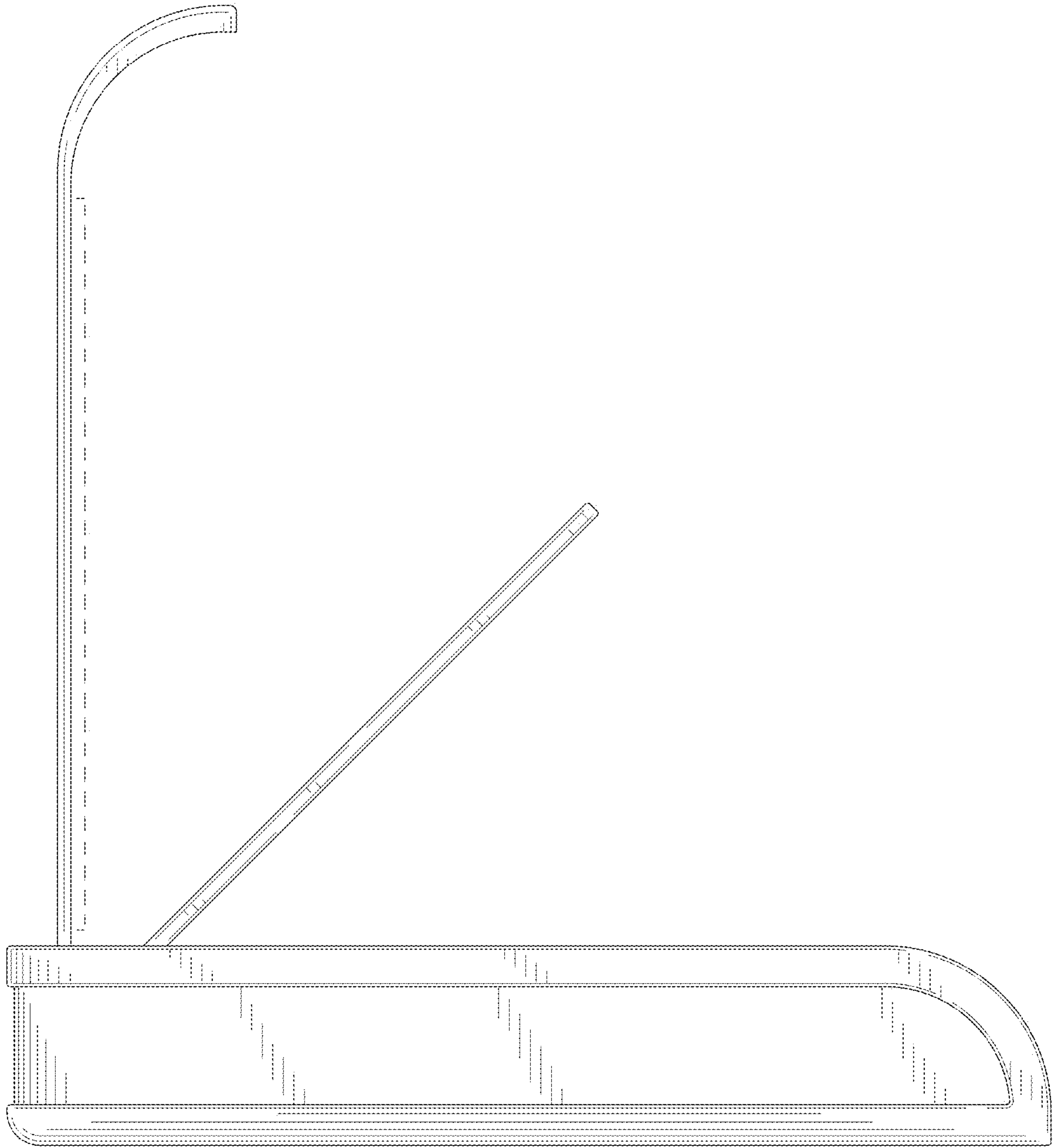


FIG. 2

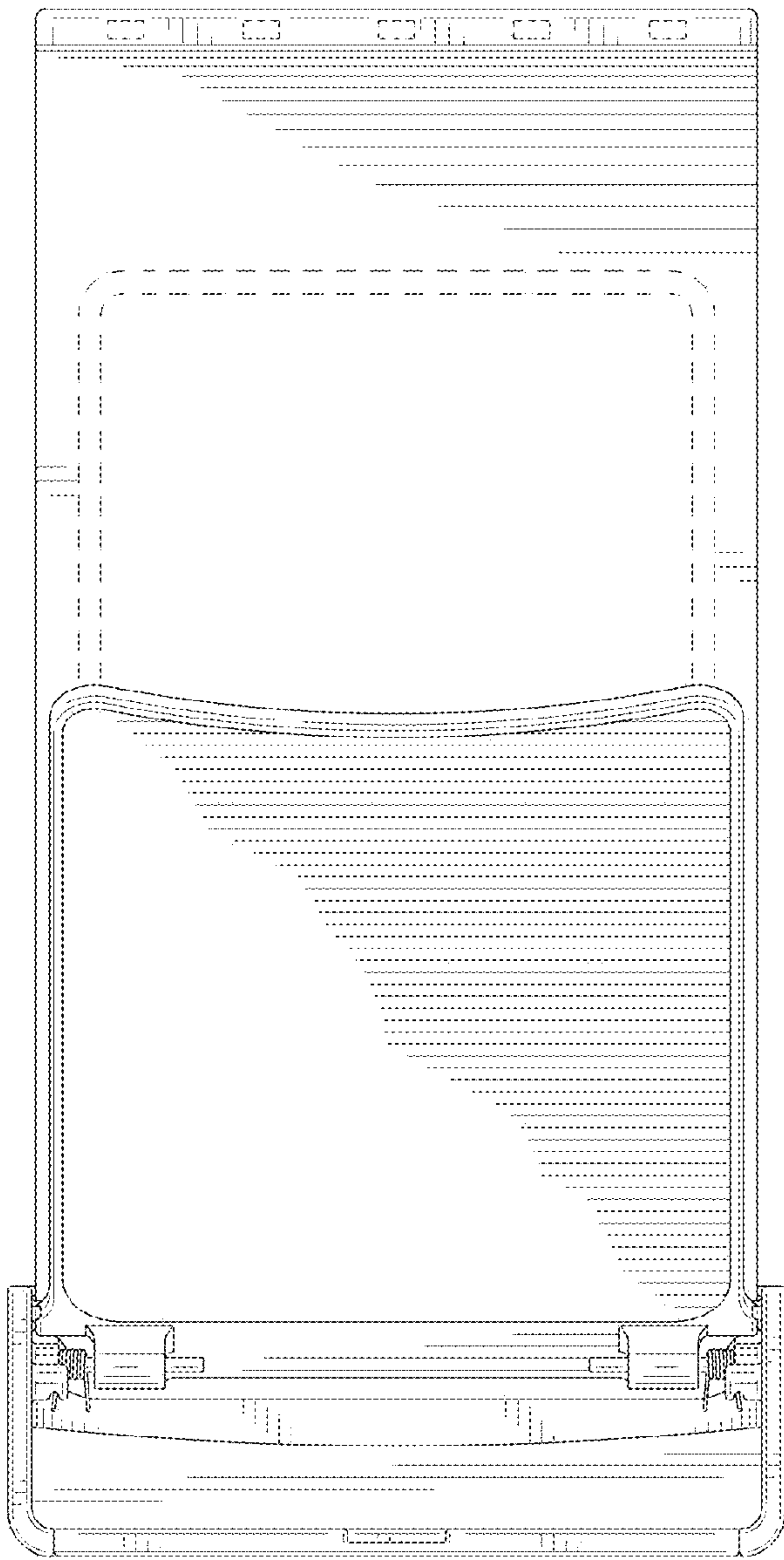


FIG.3

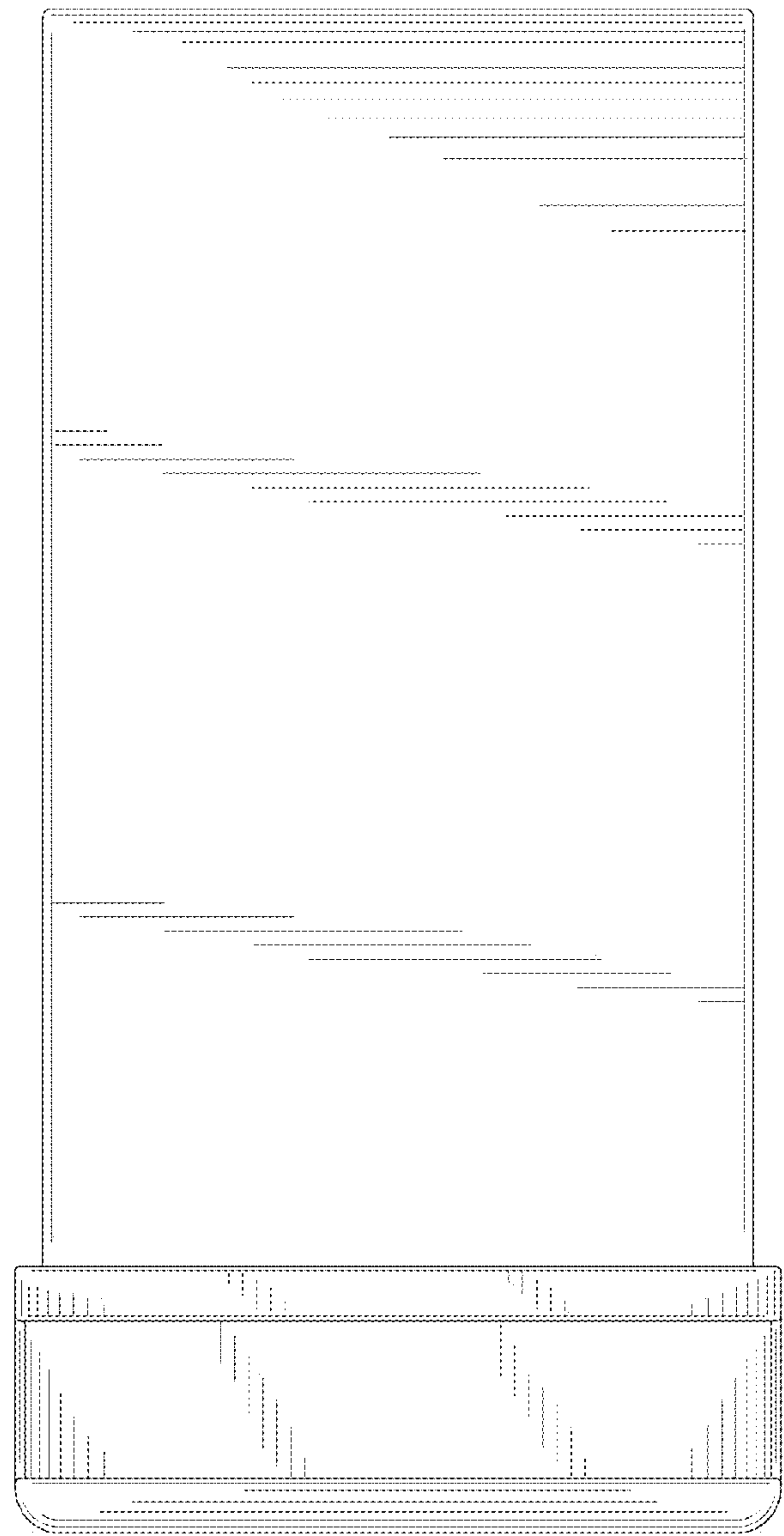


FIG.4

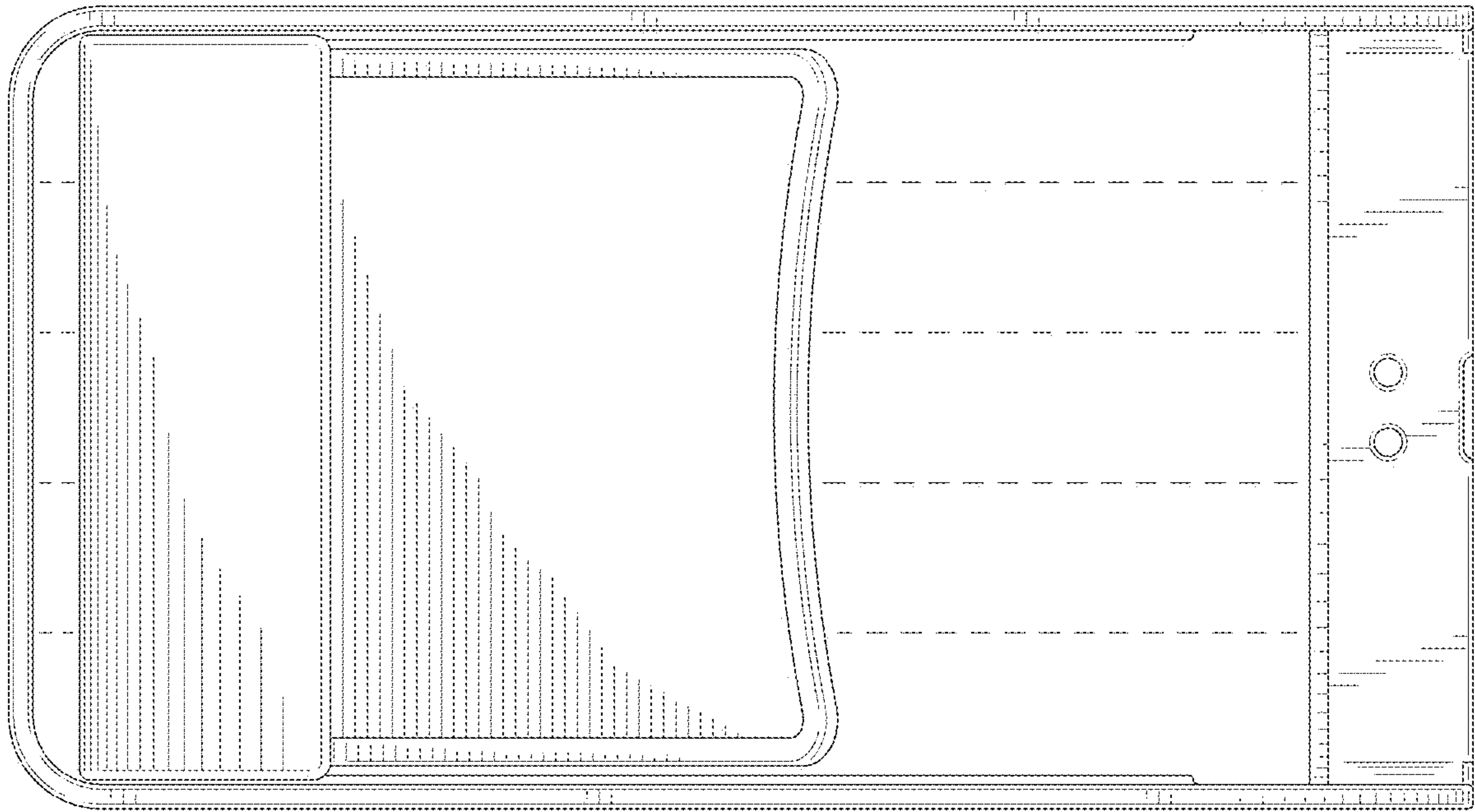


FIG. 5

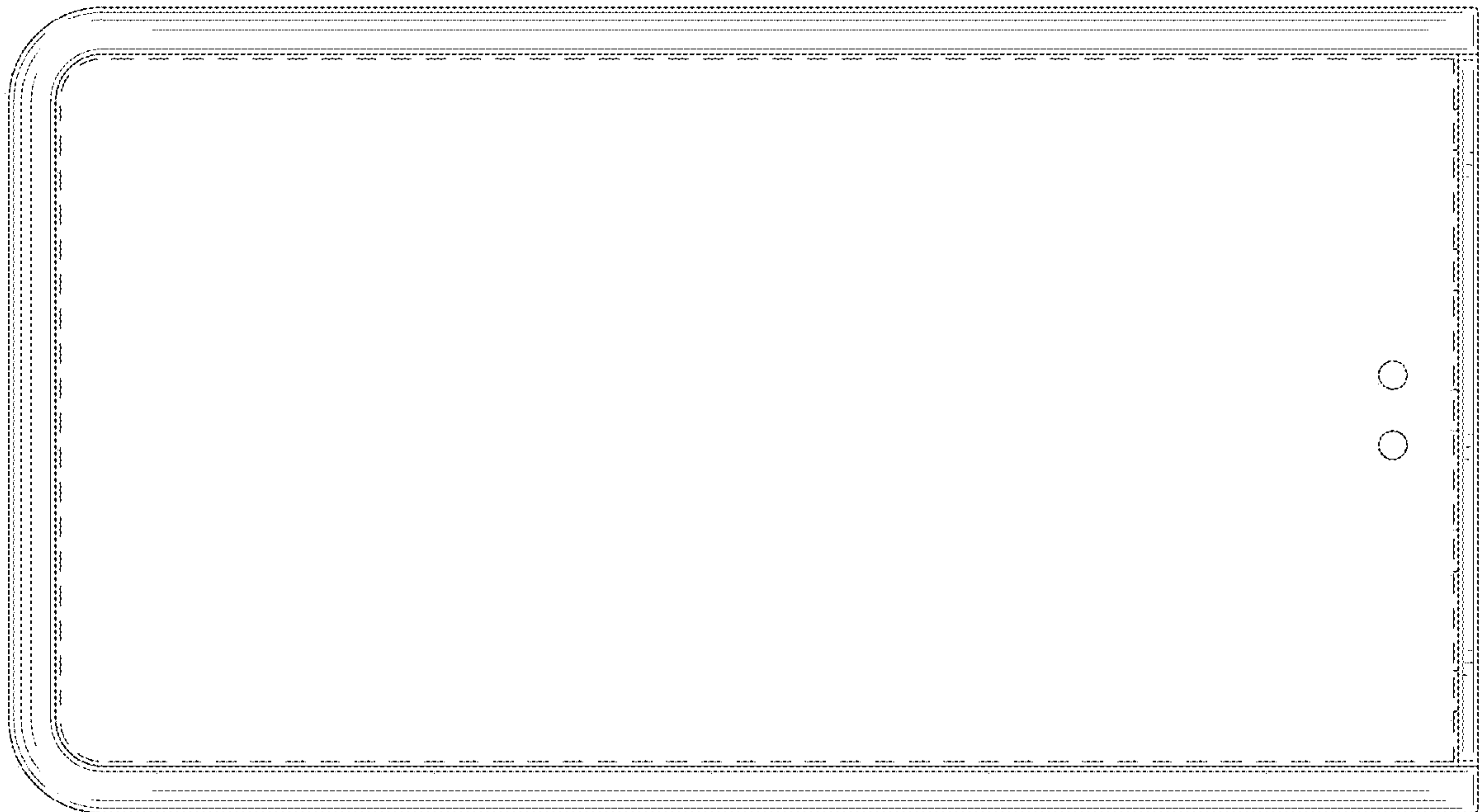


FIG. 6

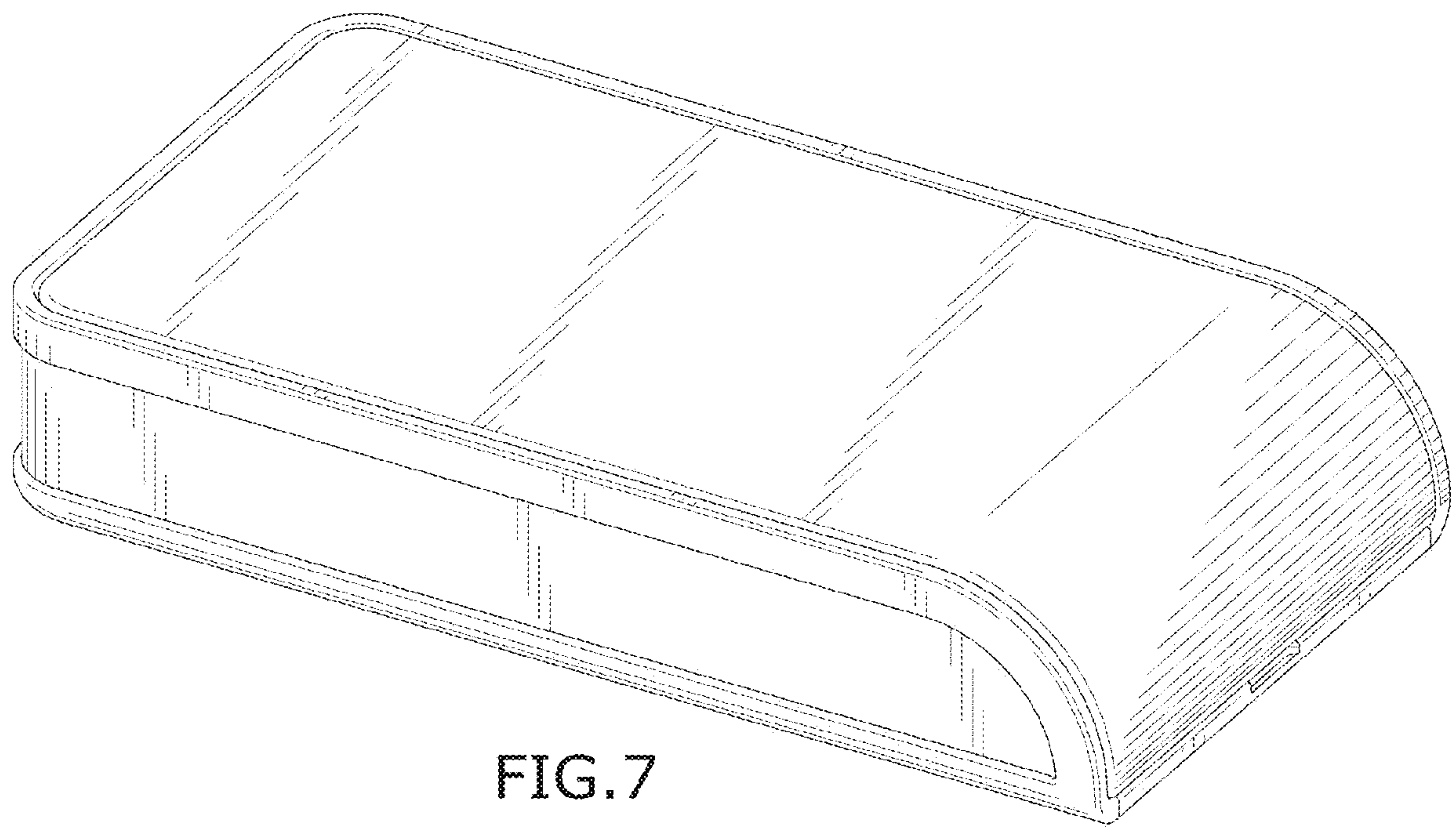


FIG.7