



US00D937563S

(12) **United States Design Patent** (10) **Patent No.:** **US D937,563 S**
Lateef (45) **Date of Patent:** **** *Dec. 7, 2021**

(54) **STORAGE CASE FOR MEDICATION**

(71) Applicant: **LockMed of Florida, Inc.,**
Jacksonville, FL (US)

(72) Inventor: **Mujahed B. Lateef,** Pittsburgh, PA
(US)

(73) Assignee: **Lockmed of Florida, Inc.,** Jacksonville,
FL (US)

(*) Notice: This patent is subject to a terminal dis-
claimer.

(**) Term: **15 Years**

(21) Appl. No.: **29/732,169**

(22) Filed: **Apr. 22, 2020**

(51) **LOC (13) Cl.** **03-01**

(52) **U.S. Cl.**
USPC **D3/203.1; D3/291**

(58) **Field of Classification Search**
USPC ... D3/201, 203.1–203.8, 206, 273–274, 276,
D3/281–282, 290–292, 294, 900–901,
D3/903, 905; D7/602, 605, 709,
D7/629–630; D8/331, 336, 338; D28/73;
D99/28, 34–35
CPC A45C 1/02; A45C 3/00; A45C 3/02; A45C
2003/007; A45C 2003/008; A45C 5/00;
A45C 5/005; A45C 5/04; A45C 11/00;
A45C 11/008; A45C 11/16; A45C
2011/007; A45C 15/00; A45C 15/04;
A45C 2200/00; A45C 2200/10; A45D
33/008; A45D 29/20; A45D 2200/00;
B25H 3/02

See application file for complete search history.

(56) **References Cited**

U.S. PATENT DOCUMENTS

5,416,421 A * 5/1995 Doland, Sr. G01R 31/44
324/156
D467,428 S * 12/2002 Wolf D3/276

D490,206 S 5/2004 Perella et al.
D493,936 S 8/2004 Perella et al.
D496,791 S 10/2004 Perella et al.
D498,049 S * 11/2004 Perella D3/273
D500,922 S 1/2005 Perella et al.
D501,083 S * 1/2005 Perella D3/276
D503,503 S 3/2005 Perella et al.
D504,990 S 5/2005 Perella et al.
D509,357 S * 9/2005 Perella D3/267
D511,035 S 10/2005 Perella et al.
D522,746 S 6/2006 Perella et al.

(Continued)

FOREIGN PATENT DOCUMENTS

CN 301414872 * 10/2010

OTHER PUBLICATIONS

Lockmed Guardian Small Combination Lockbox, unknown first
available date, lockmed.com [online], [site visited Aug. 6, 2021],
Available at internet URL: <https://www.lockmed.com/product-p/asa-1200.htm> (Year: 2021).*

(Continued)

Primary Examiner — Jeffrey D Asch
Assistant Examiner — Caitlin A Laverty
(74) *Attorney, Agent, or Firm* — McKay Law

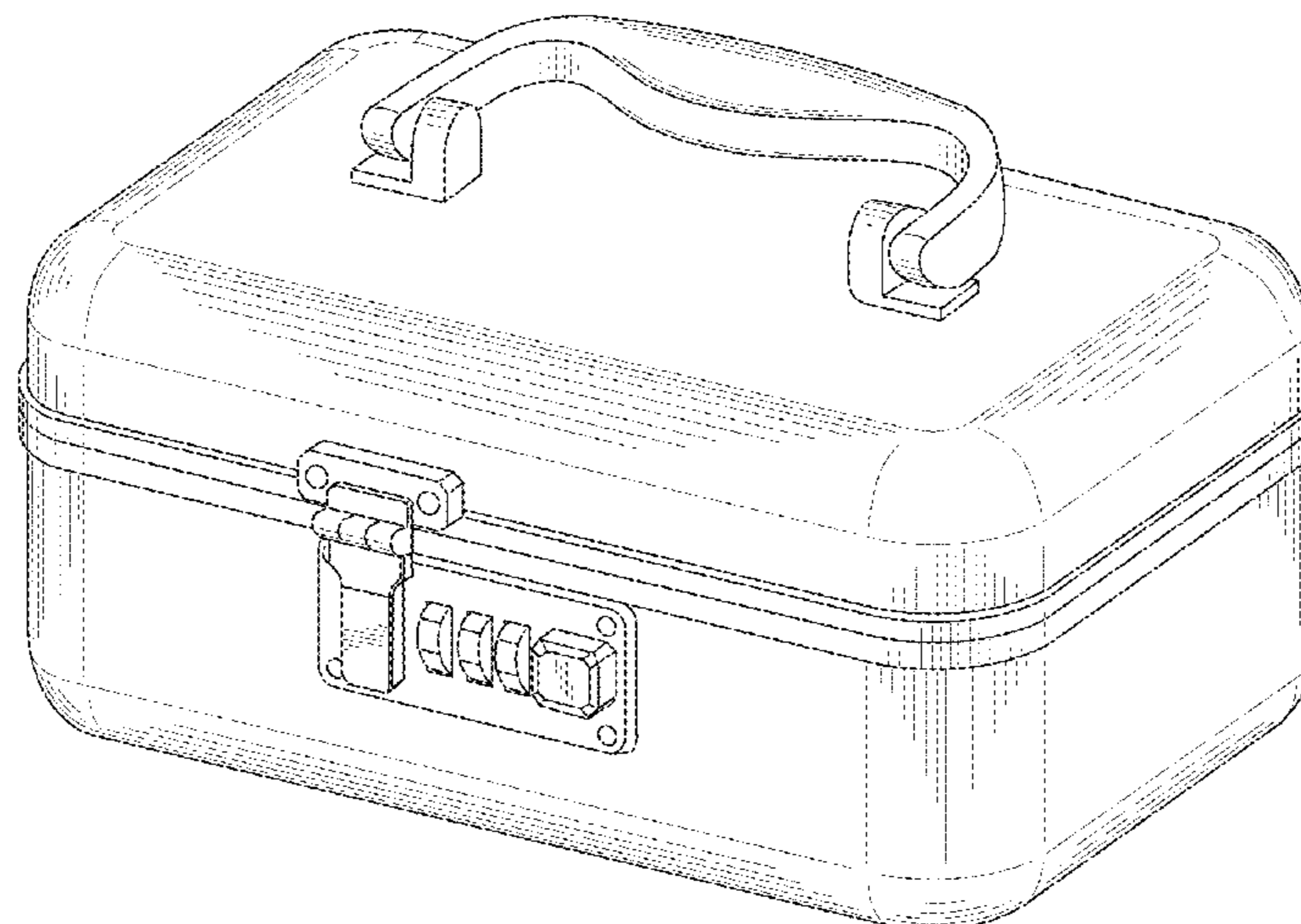
(57) **CLAIM**

The ornamental design for a storage case for medication, as
shown.

DESCRIPTION

FIG. 1 is a perspective view of a storage case for medication
showing my new design;
FIG. 2 is a front elevation view thereof;
FIG. 3 is a rear elevation view thereof;
FIG. 4 is a top plan view thereof;
FIG. 5 is a bottom plan view thereof;
FIG. 6 is a right side view thereof; and,
FIG. 7 is a left side view thereof.

1 Claim, 4 Drawing Sheets



(56)

References Cited

U.S. PATENT DOCUMENTS

D529,287 S	10/2006	Perella et al.	
D596,399 S *	7/2009	Decarlo	D3/291
D619,809 S *	7/2010	Huang	D3/276
D621,152 S *	8/2010	Lebow	D3/203.1
D671,743 S *	12/2012	Cenzano	D3/272
D719,344 S *	12/2014	Miller	D3/203.1
D736,519 S *	8/2015	Chui	D3/276
D762,444 S *	8/2016	Thomson	D8/331
D844,323 S *	4/2019	Shuai	D3/274
D861,342 S *	10/2019	DeCarlo	D3/294
D872,477 S *	1/2020	Perella	D3/291
D875,395 S *	2/2020	DeCarlo	D3/294
D907,362 S *	1/2021	Perella	D3/294
D927,851 S *	8/2021	Chasseriaux	D3/294
2012/0080350 A1 *	4/2012	Powell	E05B 39/00 206/528

OTHER PUBLICATIONS

Ollieroo Combination Lock Box for Medication . . . , first available Jun. 15, 2020, amazon.com [online], [site visited Aug. 6, 2021], Available at internet URL: <https://www.amazon.com/dp/B08B84ZMXG> (Year: 2020).*

LockMed Small Guardian Medication Lock Box, first available Feb. 2, 2015, amazon.com [online], [site visited Aug. 6, 2021], Available at internet URL: <https://www.amazon.com/LockMed-Guardian-Medications-Authorized-Shipping/dp/B07N1PQQ3H> (Year: 2015).*

* cited by examiner

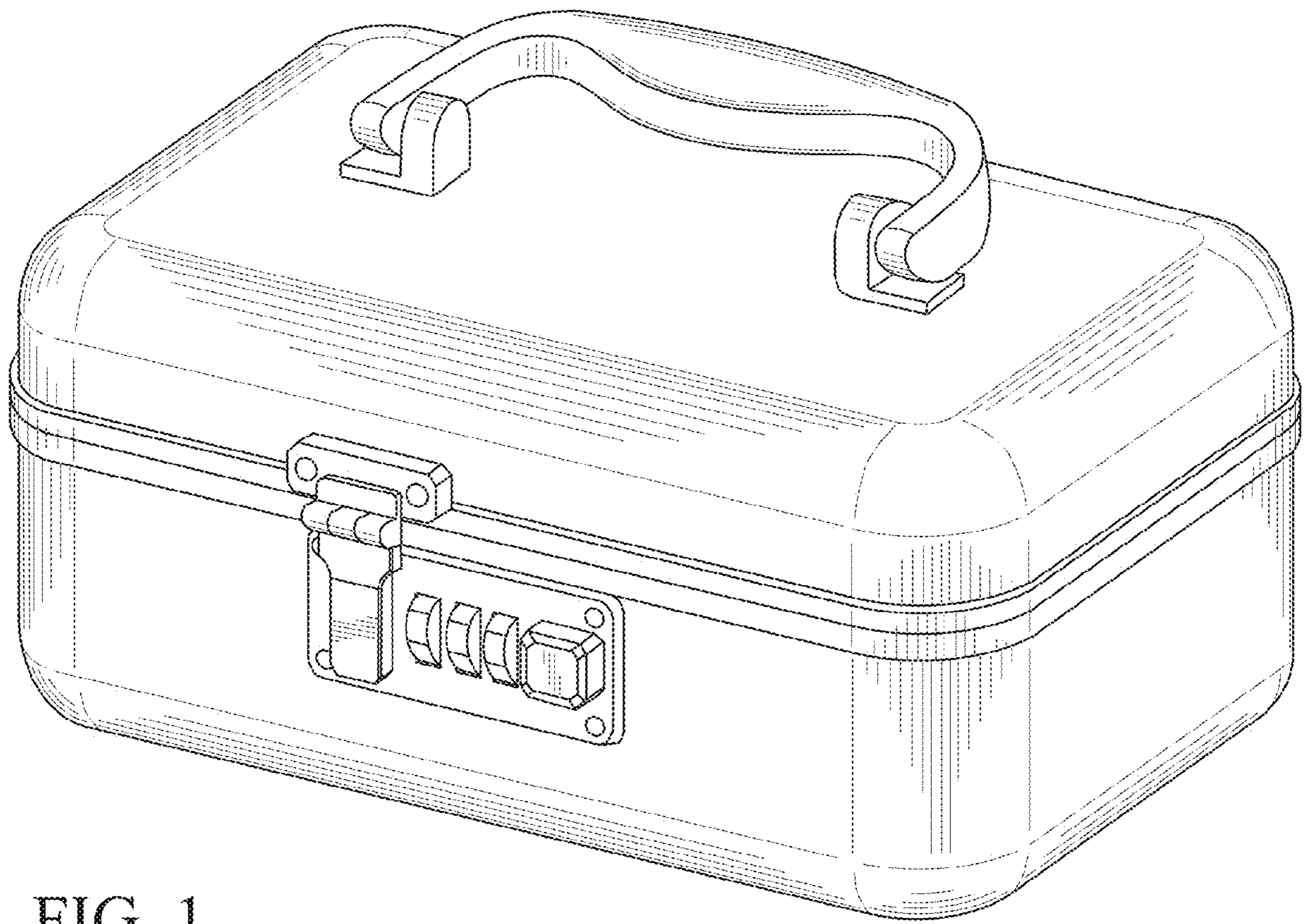


FIG. 1

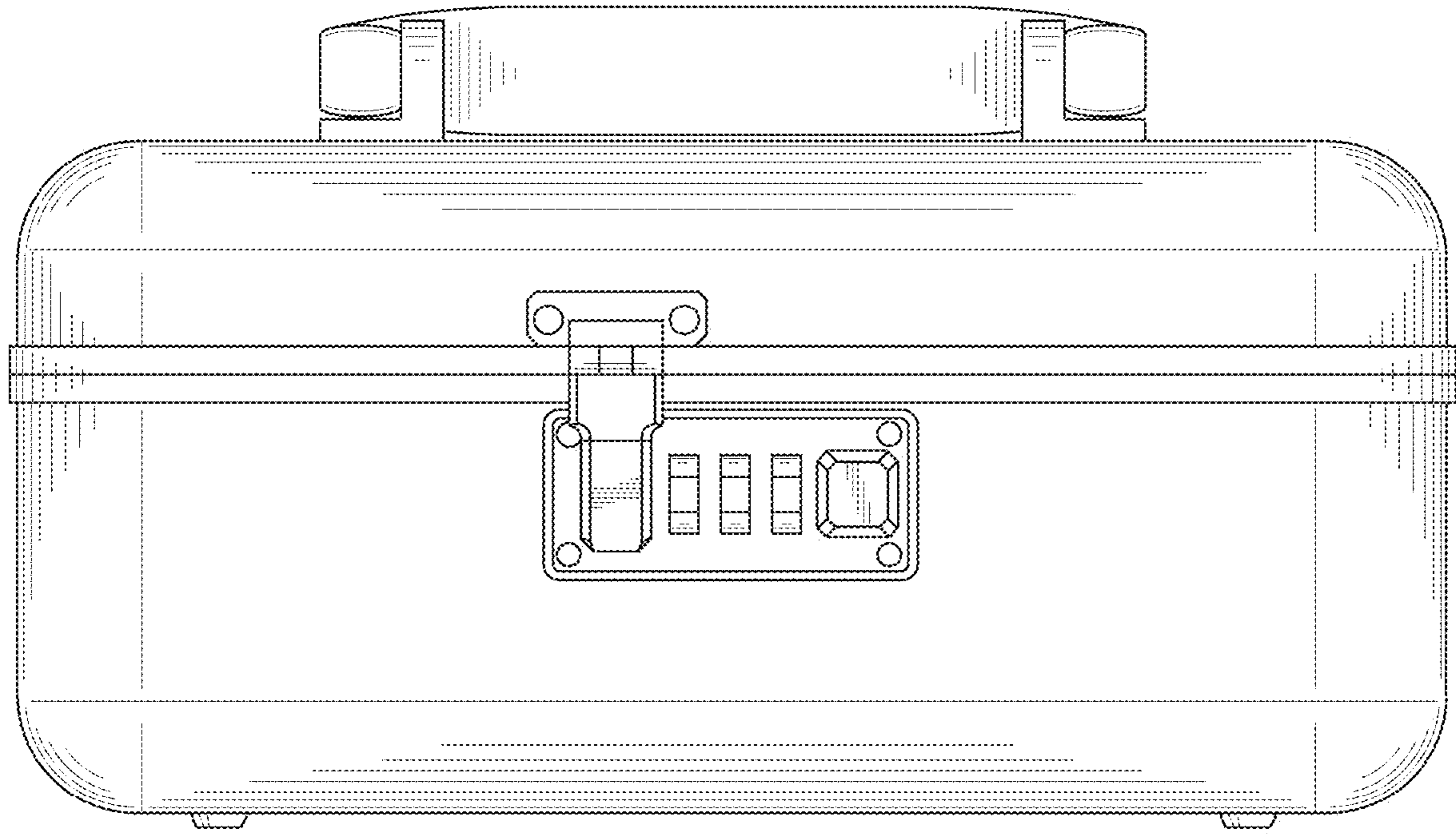


FIG. 2

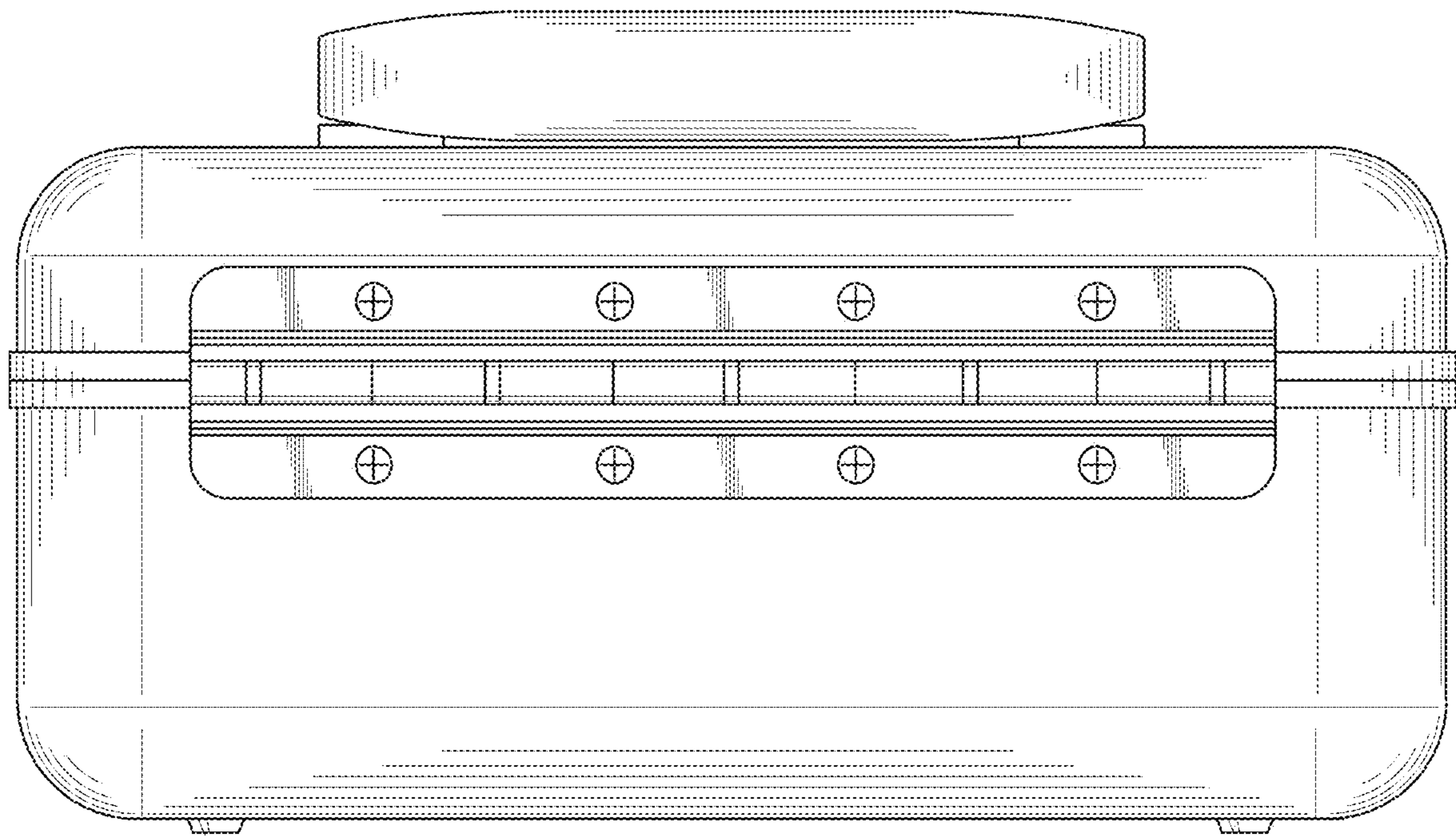


FIG. 3

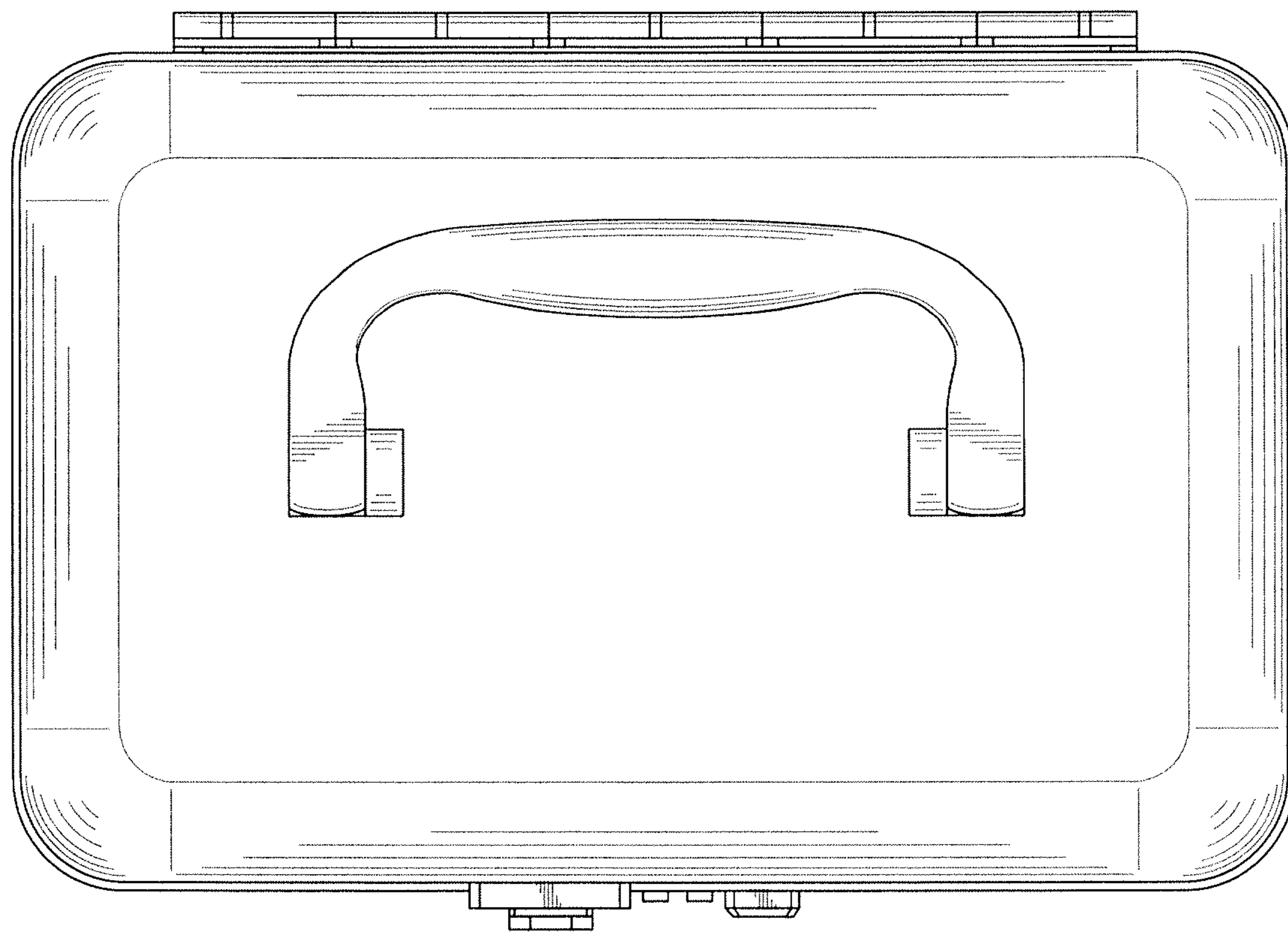


FIG. 4

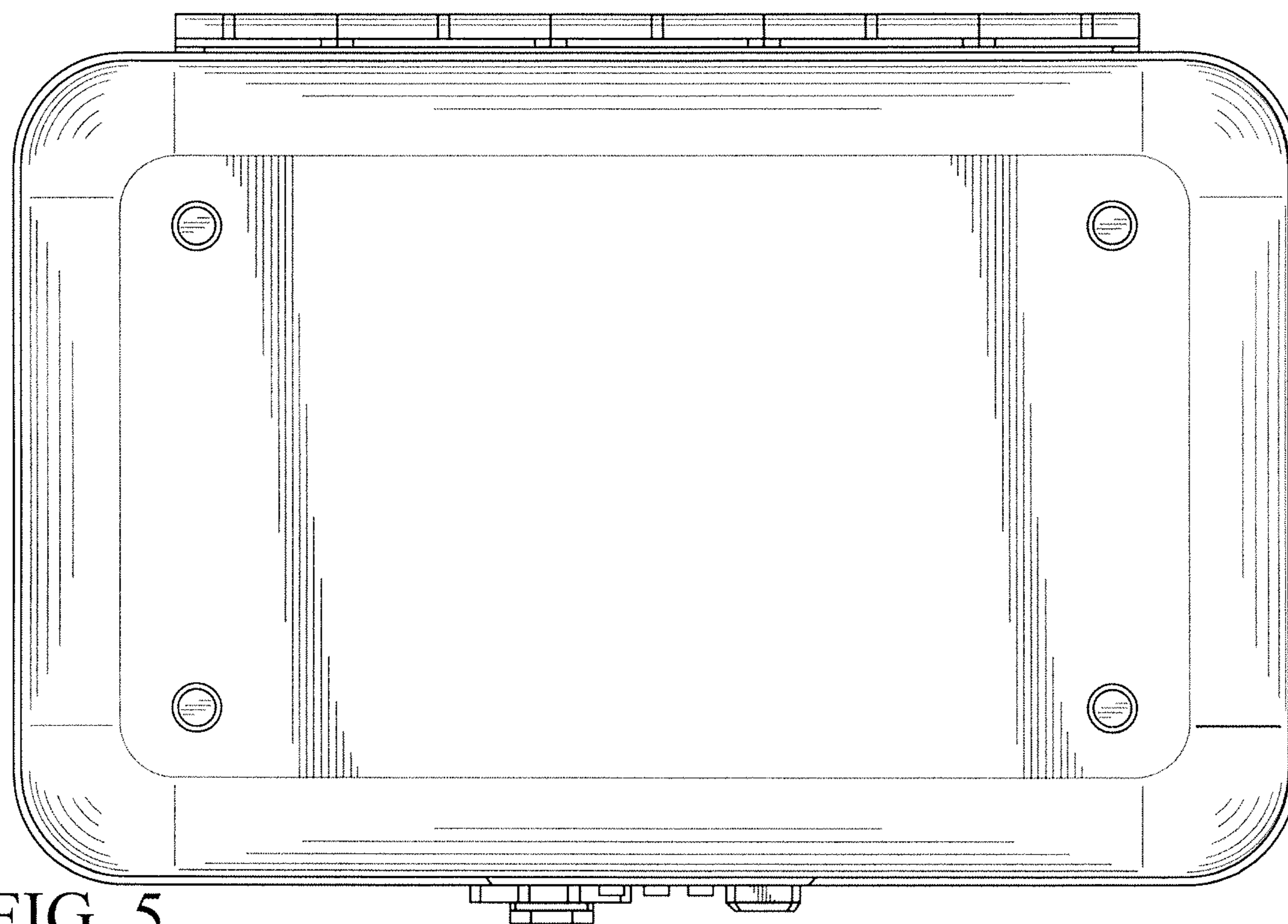


FIG. 5

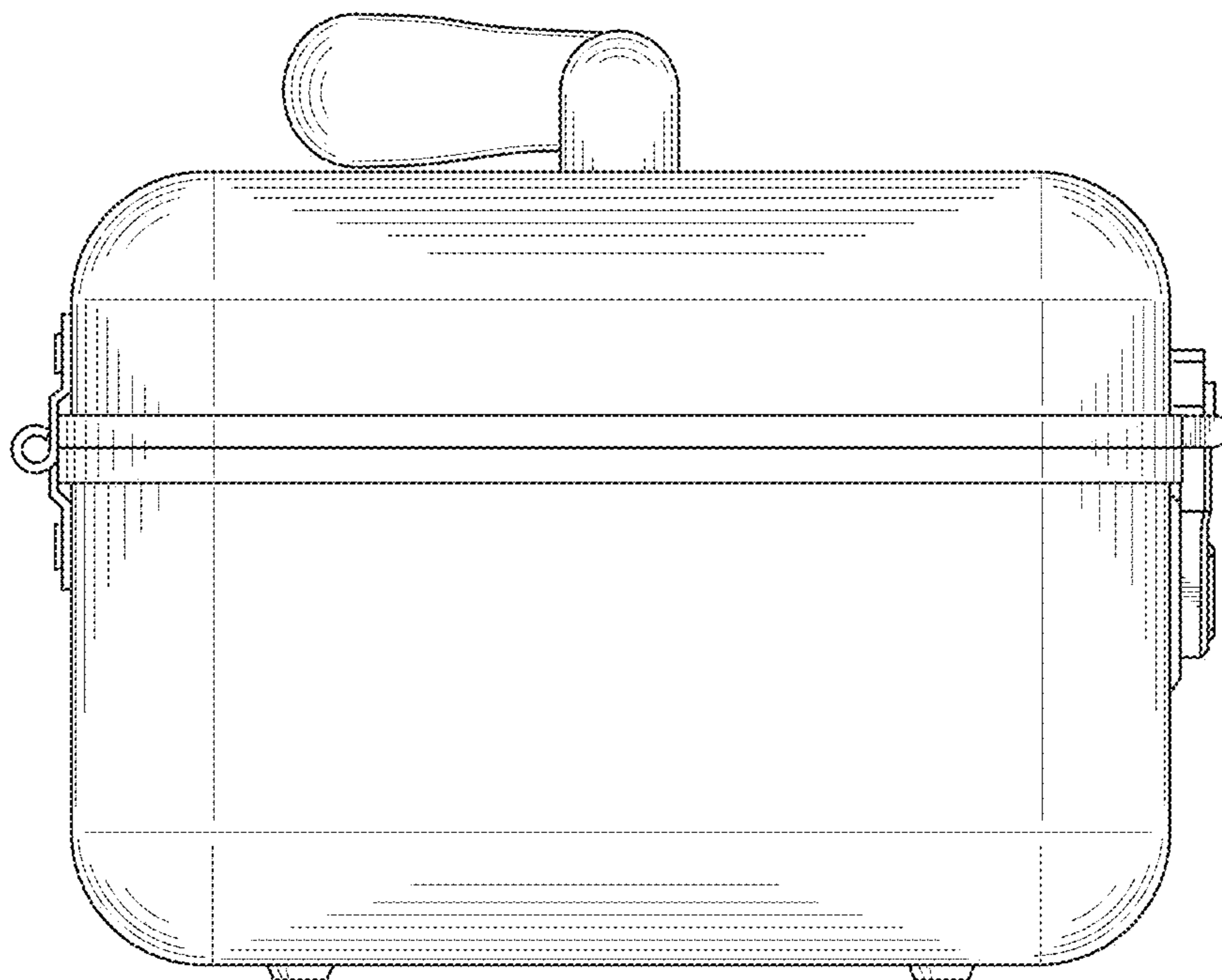


FIG. 6

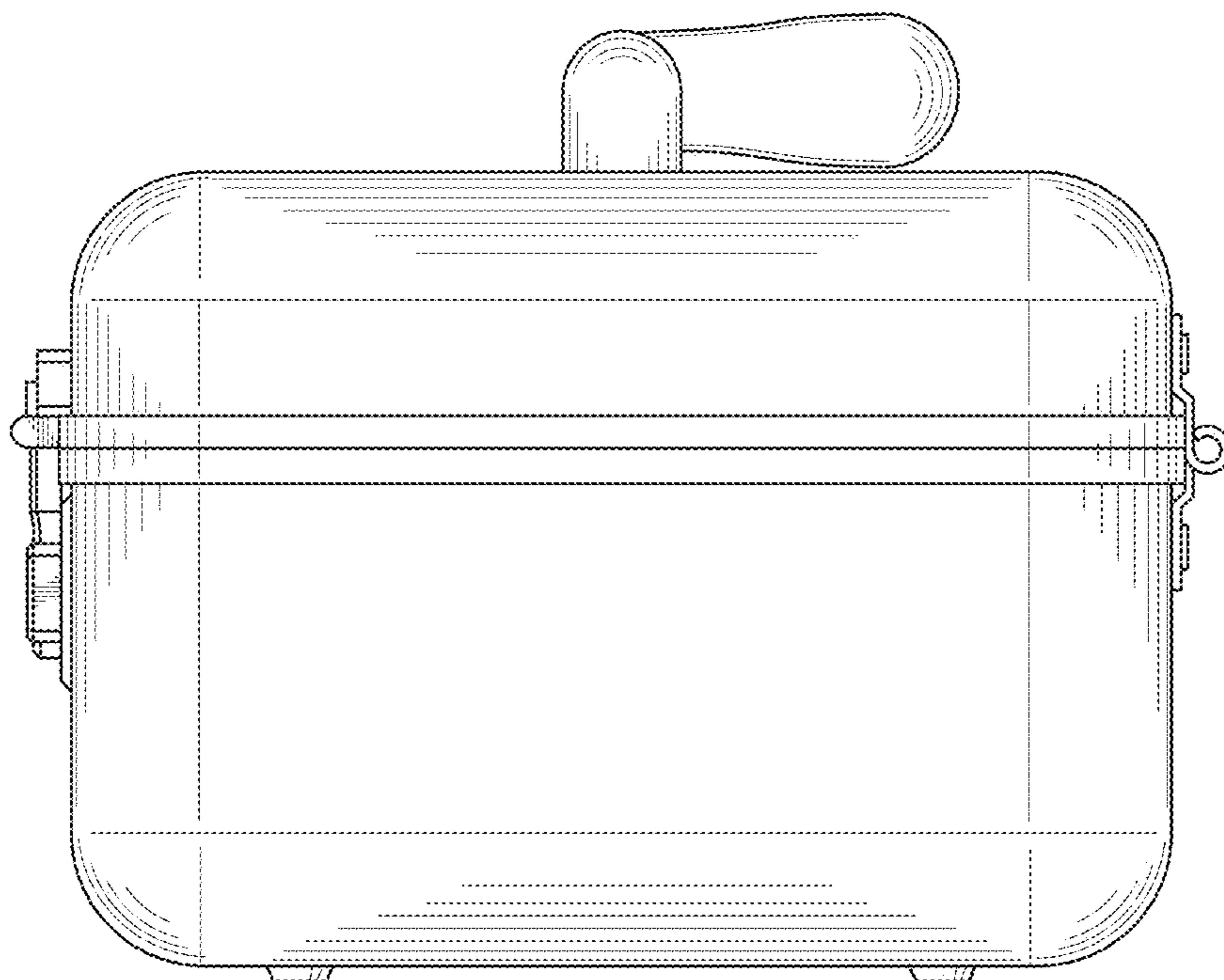


FIG. 7