



US00D937562S

(12) **United States Design Patent** (10) **Patent No.:** **US D937,562 S**  
**Lateef** (45) **Date of Patent:** **\*\* \*Dec. 7, 2021**

(54) **MEDICATION LOCKBOX**  
(71) Applicant: **LockMed of Florida, Inc.**,  
Jacksonville, FL (US)  
(72) Inventor: **Mujahed B. Lateef**, Pittsburgh, PA  
(US)  
(73) Assignee: **Lockmed of Florida, Inc.**, Jacksonville,  
FL (US)

D228,580 S \* 10/1973 Schurman ..... D3/281  
D315,247 S \* 3/1991 Lovell ..... D3/281  
D351,283 S \* 10/1994 Wolff ..... D3/205  
D354,622 S \* 1/1995 Lovell ..... D3/281  
D432,309 S \* 10/2000 Tsai ..... D3/305  
D490,206 S 5/2004 Perella et al.  
D493,936 S 8/2004 Perella et al.  
D496,791 S 10/2004 Perella et al.  
D500,922 S 1/2005 Perella et al.  
D501,083 S \* 1/2005 Perella ..... D3/276  
D503,503 S 3/2005 Perella et al.

(\* ) Notice: This patent is subject to a terminal disclaimer.

(\*\*) Term: **15 Years**

(21) Appl. No.: **29/732,168**

(22) Filed: **Apr. 22, 2020**

(51) **LOC (13) Cl.** ..... **03-01**

(52) **U.S. Cl.**  
USPC ..... **D3/203.1; D3/291**

(58) **Field of Classification Search**  
USPC ... D3/201, 203.1–203.8, 206, 273–274, 276,  
D3/281–282, 290–292, 294, 900–901,  
D3/903, 905; D7/602, 605, 709,  
D7/629–630; D8/331, 336, 338; D28/73;  
D99/28, 34–35  
CPC .... A45C 1/02; A45C 3/00; A45C 3/02; A45C  
2003/007; A45C 2003/008; A45C 5/00;  
A45C 5/005; A45C 5/04; A45C 11/00;  
A45C 11/008; A45C 11/16; A45C  
2011/007; A45C 15/00; A45C 15/04;  
A45C 2200/00; A45C 2200/10; A45D  
33/008; A45D 29/20; A45D 2200/00;  
B25H 3/02

See application file for complete search history.

(56) **References Cited**

**U.S. PATENT DOCUMENTS**

D178,950 S \* 10/1956 Berry ..... D3/284  
3,746,210 A \* 7/1973 Evans ..... B25H 3/02  
220/633

**FOREIGN PATENT DOCUMENTS**

CN 301414872 \* 10/2010

**OTHER PUBLICATIONS**

Lockmed Guardian Small Key Lockbox, unknown first available date, lockmed.com [online], [site visited Aug. 6, 2021], Available at internet URL: <https://www.lockmed.com/product-p/asa-1250.htm> (Year: 2021).\*

(Continued)

*Primary Examiner* — Jeffrey D Asch  
*Assistant Examiner* — Caitlin A Laverty  
(74) *Attorney, Agent, or Firm* — McKay Law

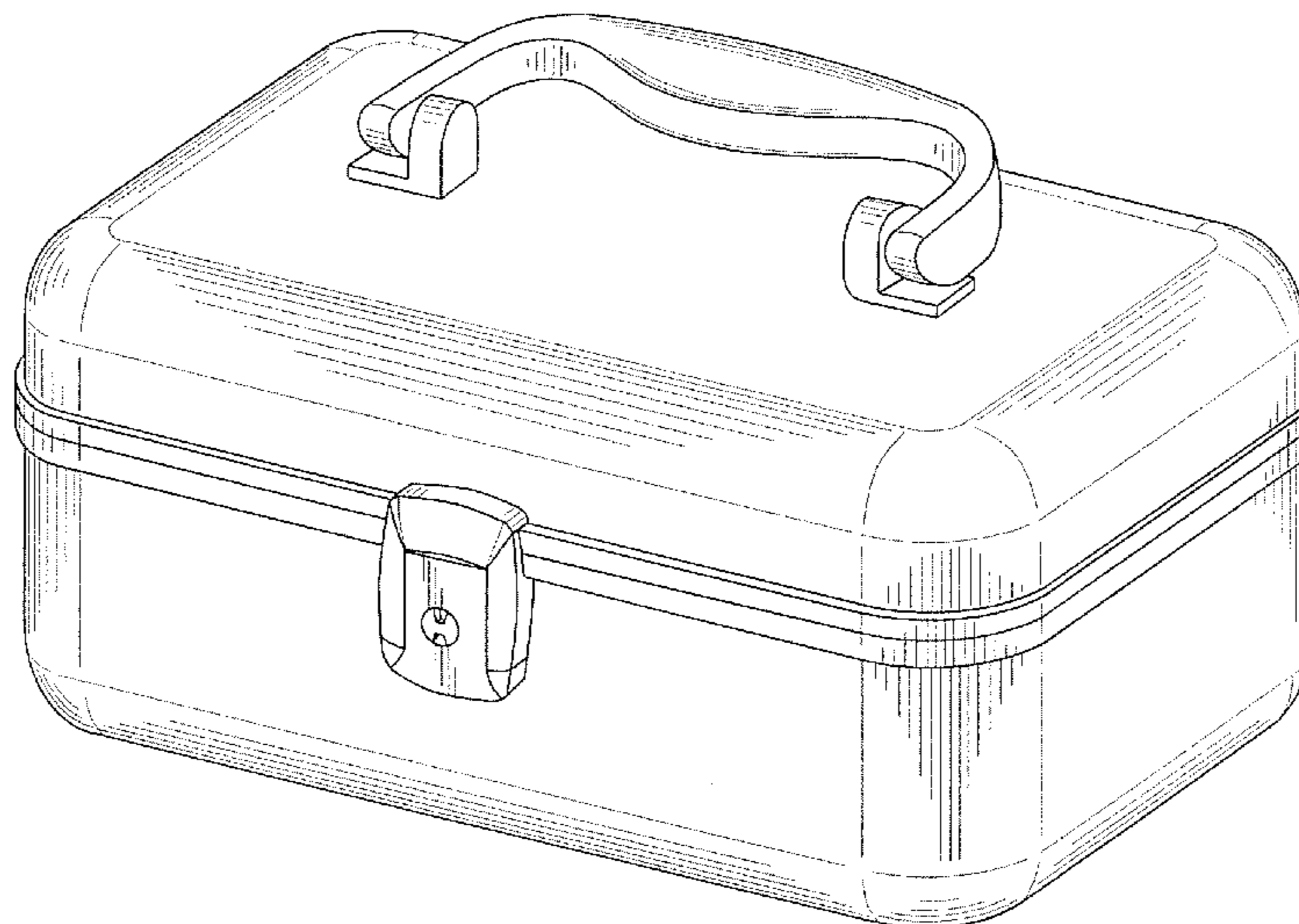
(57) **CLAIM**

The ornamental design for a medication lockbox, as shown.

**DESCRIPTION**

FIG. 1 is a perspective view of a medication lockbox showing my new design;  
FIG. 2 is a front elevation view thereof;  
FIG. 3 is a rear elevation view thereof;  
FIG. 4 is a top plan view thereof;  
FIG. 5 is a bottom plan view thereof;  
FIG. 6 is a right side view thereof; and,  
FIG. 7 is a left side view thereof.

**1 Claim, 4 Drawing Sheets**



(56)

**References Cited**

## U.S. PATENT DOCUMENTS

D504,990	S	5/2005	Perella et al.	
D509,357	S *	9/2005	Perella .....	D3/267
D511,035	S	10/2005	Perella et al.	
D522,746	S	6/2006	Perella et al.	
D529,287	S	10/2006	Perella et al.	
D549,447	S *	8/2007	Perella .....	D3/206
D619,809	S *	7/2010	Huang .....	D3/276
D657,915	S *	4/2012	Lai .....	D28/83
D677,555	S *	3/2013	Cenzano .....	D8/331
D736,519	S *	8/2015	Chui .....	D3/276
D774,759	S *	12/2016	Beilman .....	D3/284
D779,201	S *	2/2017	Beilman .....	D3/284
D853,113	S *	7/2019	Wang .....	D3/276
D853,723	S *	7/2019	Shuai .....	D3/291
D872,477	S *	1/2020	Perella .....	D3/291
D893,869	S *	8/2020	Kramer .....	D3/282
D894,599	S *	9/2020	Kramer .....	D3/282
D907,362	S *	1/2021	Perella .....	D3/294
D927,851	S *	8/2021	Chasseriaux .....	D3/294

## OTHER PUBLICATIONS

Reme Makeup Train Case Cosmetic Organizer . . . , available from Oct. 8, 2019 based on customer photo review, amazon.com [online], [site visited Aug. 6, 2021]. Available at internet URL: <https://www.amazon.com/dp/B083P1R25L> (Year: 2019).\*

\* cited by examiner

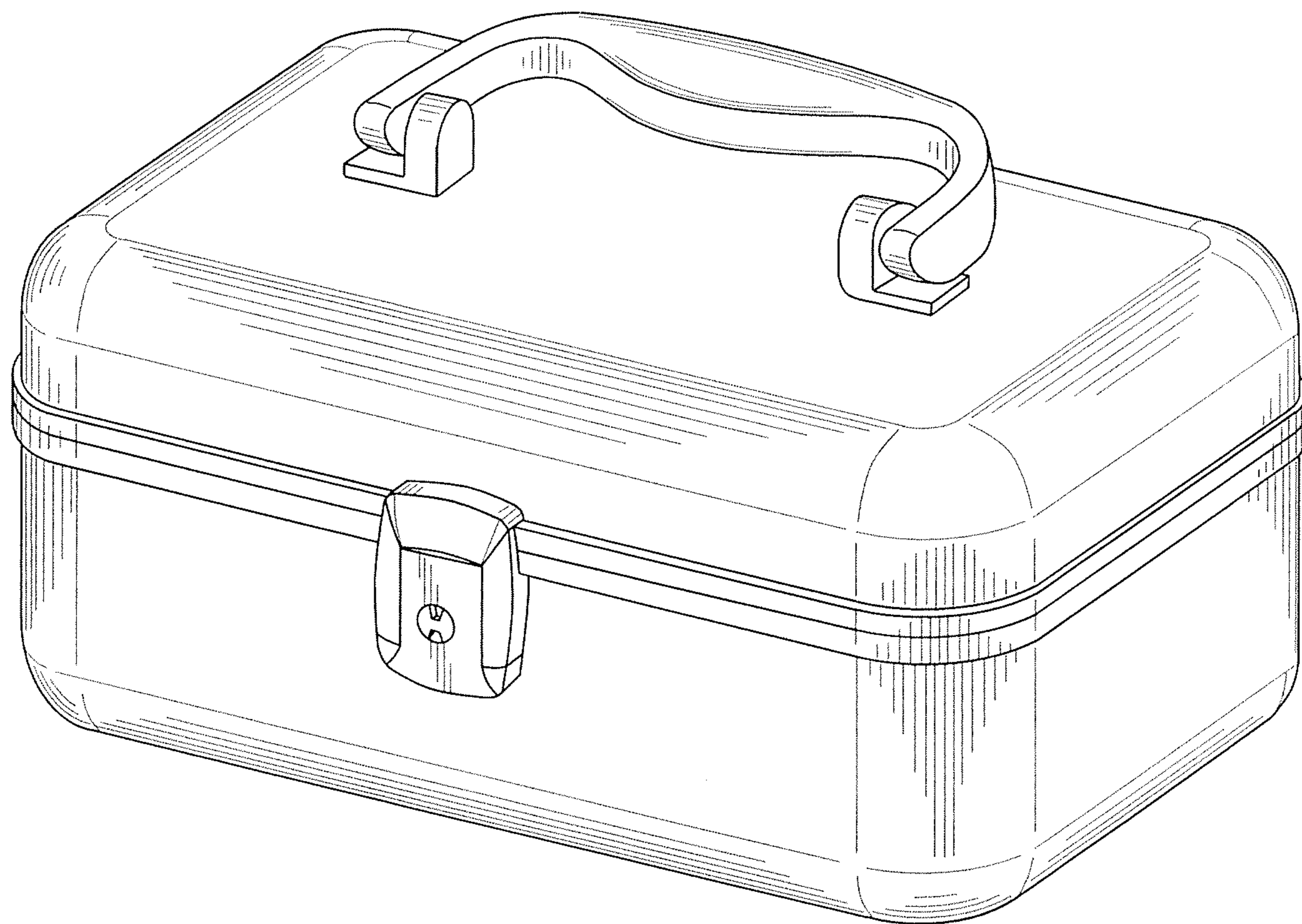


FIG. 1

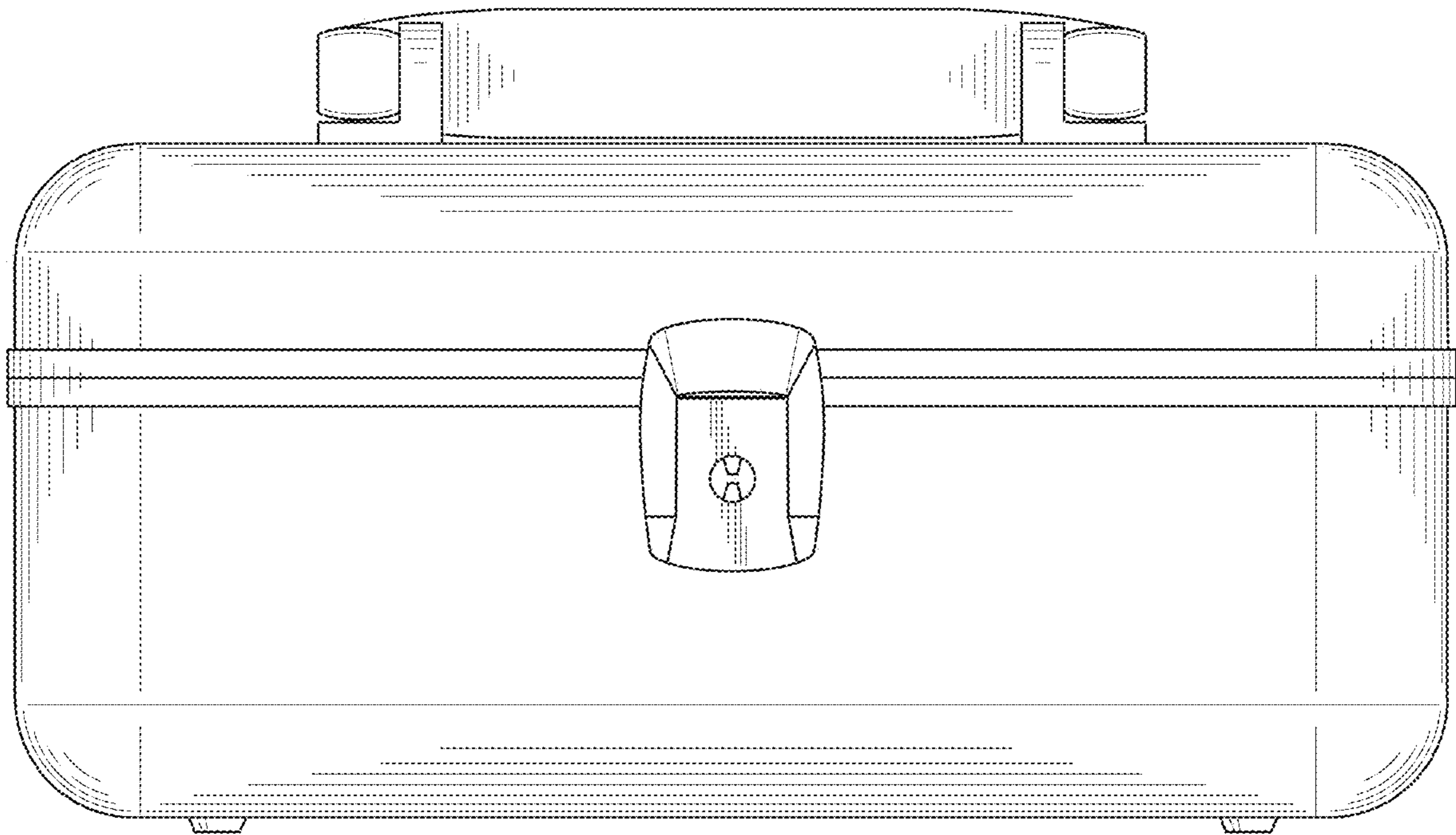


FIG. 2

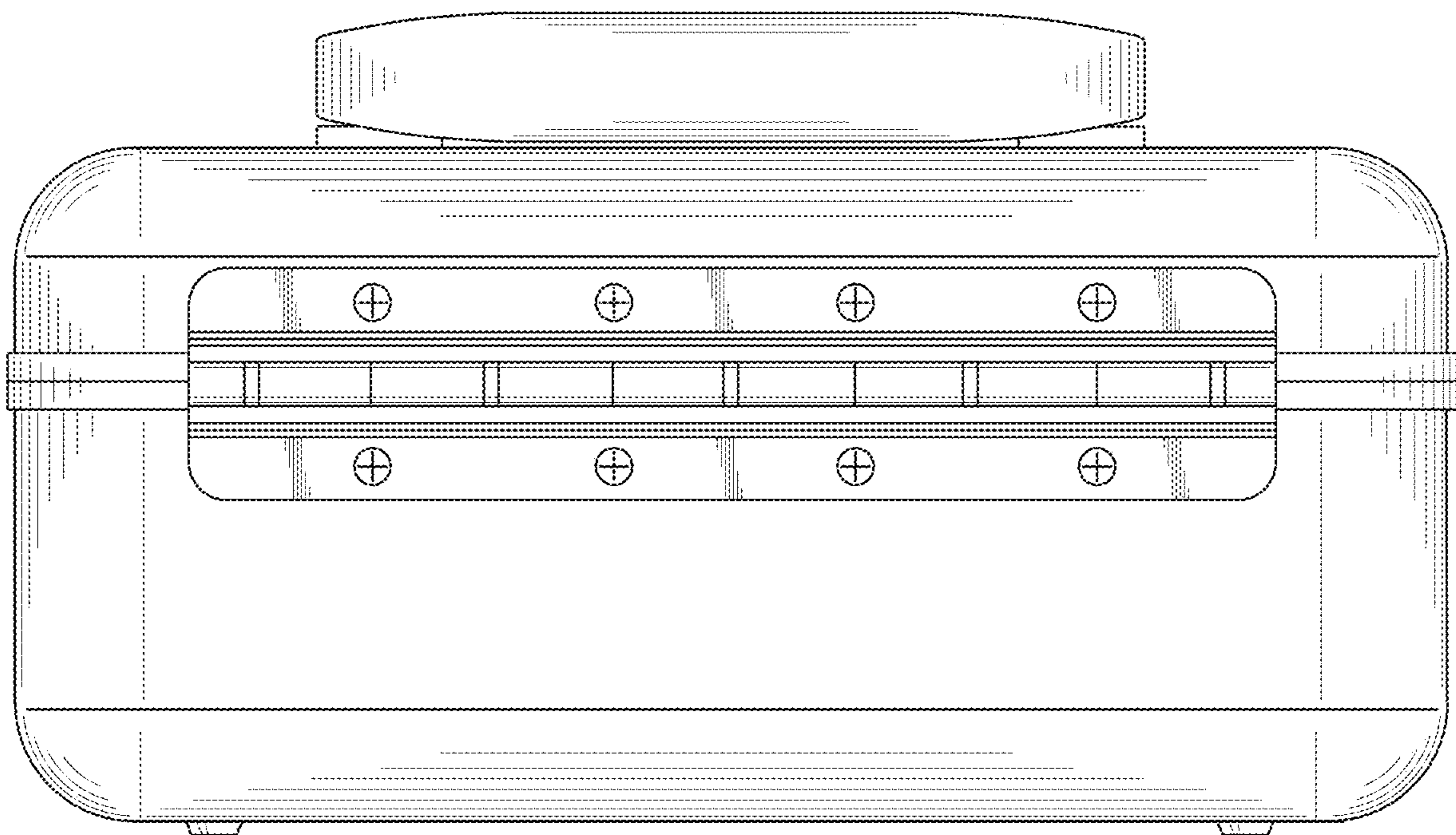


FIG. 3

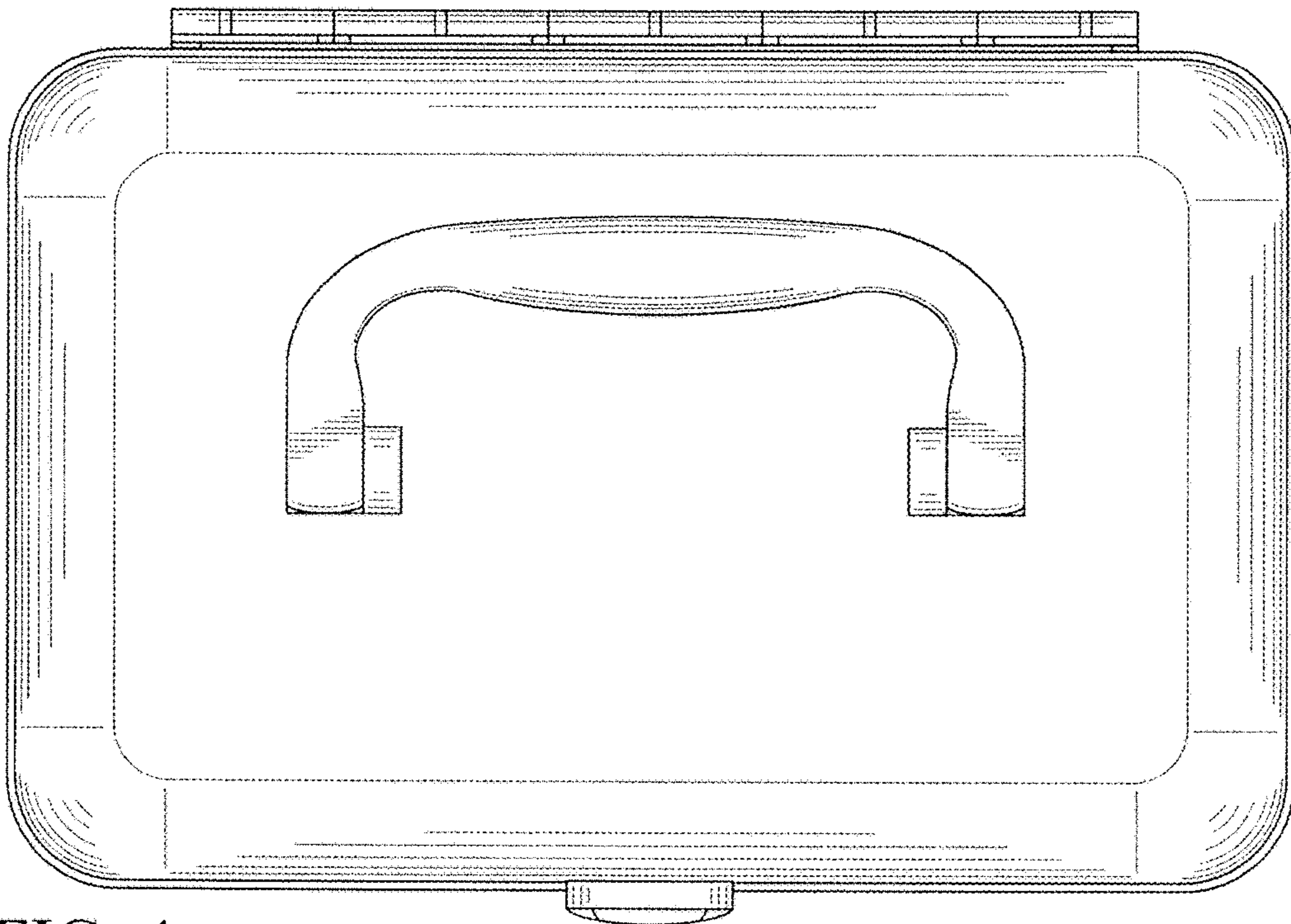


FIG. 4

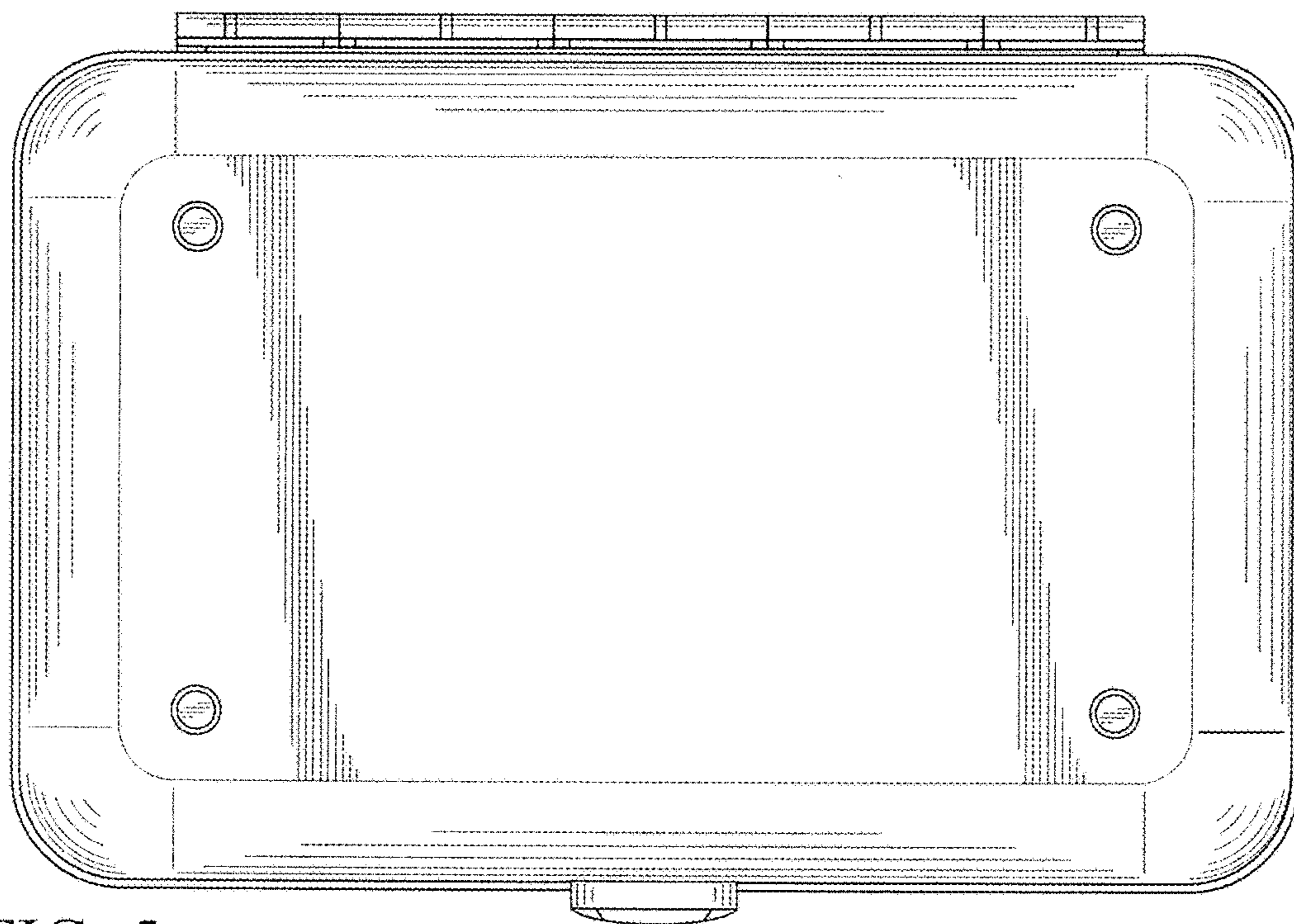


FIG. 5

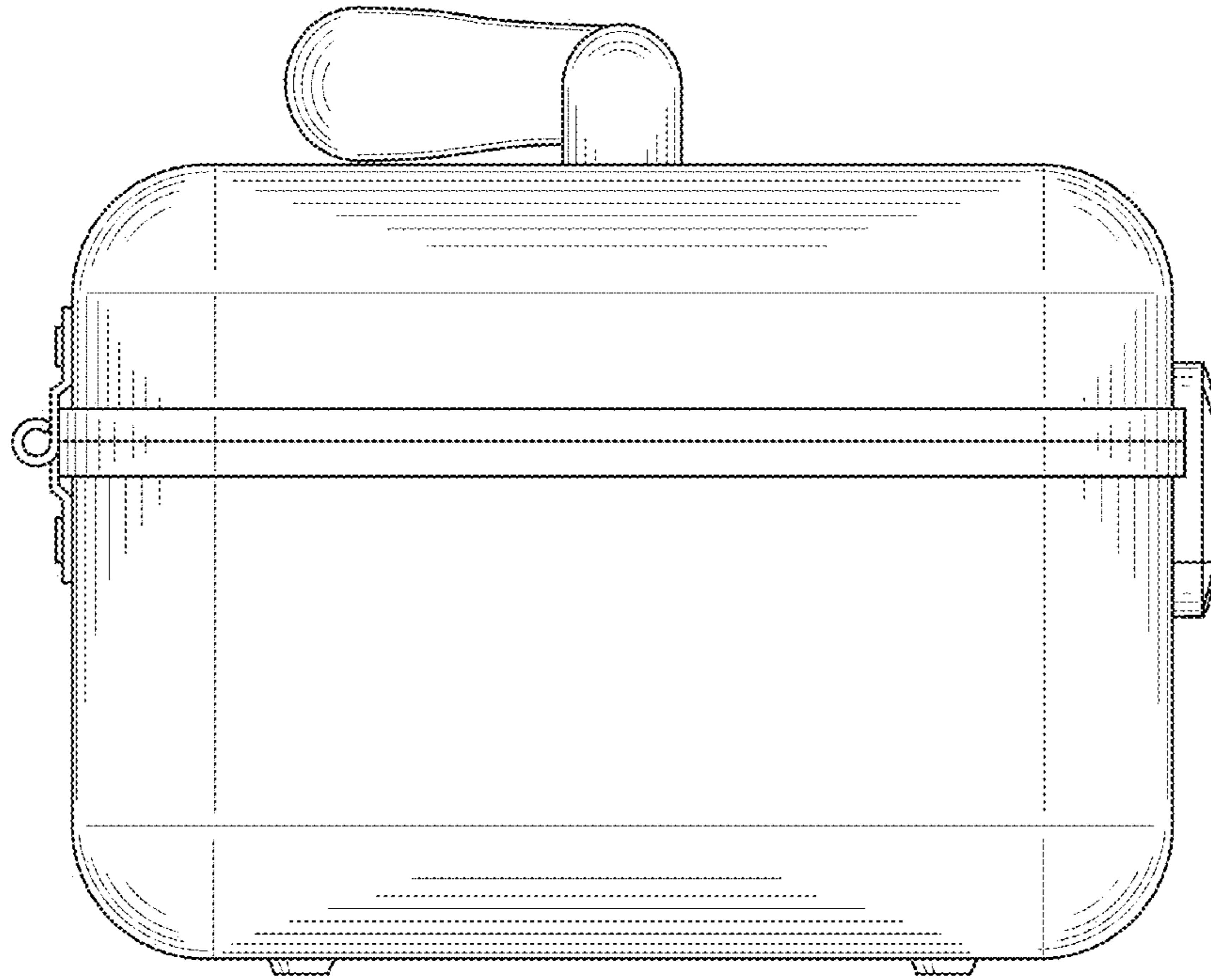


FIG. 6

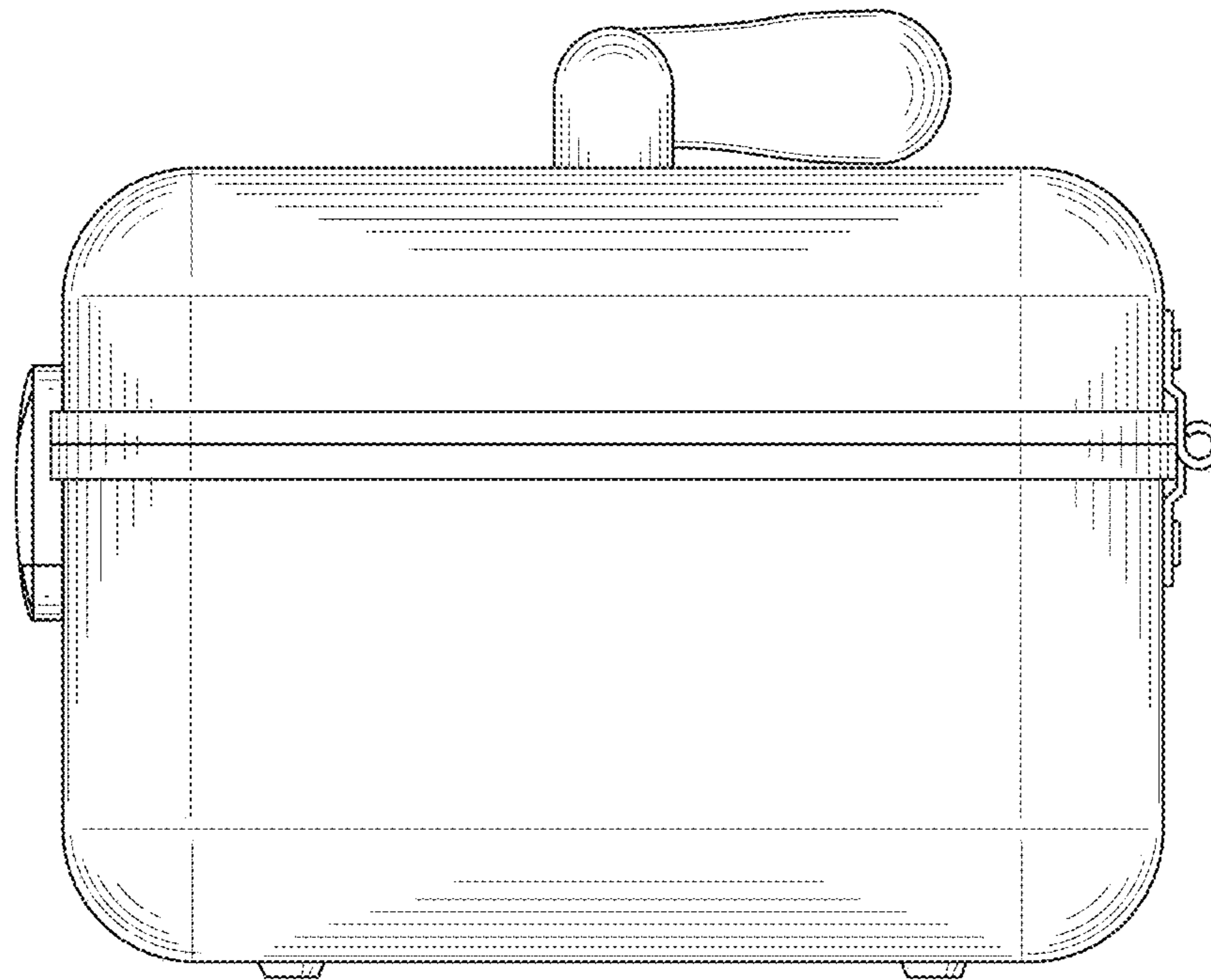


FIG. 7