



US00D937561S

(12) **United States Design Patent** (10) **Patent No.:** **US D937,561 S**
Lateef (45) **Date of Patent:** **** *Dec. 7, 2021**

(54) **LOCKBOX FOR MEDICATION**
(71) Applicant: **LockMed of Florida, Inc.,**
Jacksonville, FL (US)
(72) Inventor: **Mujahed B. Lateef,** Pittsburgh, PA
(US)
(73) Assignee: **Lockmed of Florida, Inc.,** Jacksonville,
FL (US)

D490,206 S 5/2004 Perella et al.
D493,936 S 8/2004 Perella et al.
D496,791 S 10/2004 Perella et al.
D498,049 S * 11/2004 Perella D3/273
D500,922 S 1/2005 Perella et al.
D501,083 S * 1/2005 Perella D3/276
D503,503 S 3/2005 Perella et al.
D504,990 S 5/2005 Perella et al.
D509,357 S * 9/2005 Perella D3/267
D511,035 S 10/2005 Perella et al.
D522,746 S 6/2006 Perella et al.

(*) Notice: This patent is subject to a terminal disclaimer.

(**) Term: **15 Years**

(21) Appl. No.: **29/732,167**

(22) Filed: **Apr. 22, 2020**

(51) **LOC (13) Cl.** **03-01**

(52) **U.S. Cl.**
USPC **D3/203.1; D3/291**

(58) **Field of Classification Search**
USPC ... D3/201, 203.1–203.8, 206, 273–274, 276,
D3/281–282, 290–292, 294, 900–901,
D3/903, 905; D7/602, 605, 709,
D7/629–630; D8/331, 336, 338; D28/73;
D99/28, 34–35
CPC A45C 1/02; A45C 3/00; A45C 3/02; A45C
2003/007; A45C 2003/008; A45C 5/00;
A45C 5/005; A45C 5/04; A45C 11/00;
A45C 11/008; A45C 11/16; A45C
2011/007; A45C 15/00; A45C 15/04;
A45C 2200/00; A45C 2200/10; A45D
33/008; A45D 29/20; A45D 2200/00;
B25H 3/02

See application file for complete search history.

(56) **References Cited**

U.S. PATENT DOCUMENTS

5,416,421 A * 5/1995 Doland, Sr G01R 31/44
324/156
D467,428 S * 12/2002 Wolf D3/276

FOREIGN PATENT DOCUMENTS

CN 301414872 * 10/2010

OTHER PUBLICATIONS

Lockmed Guardian Medium Combination Lockbox, unknown first available date, lockmed.com [online], [site visited Aug. 6, 2021], Available at internet URL: https://www.lockmed.com/product-p/asa-1400.htm (Year: 2021).*

(Continued)

Primary Examiner — Jeffrey D Asch
Assistant Examiner — Caitlin A Laverty
(74) *Attorney, Agent, or Firm* — McKay Law

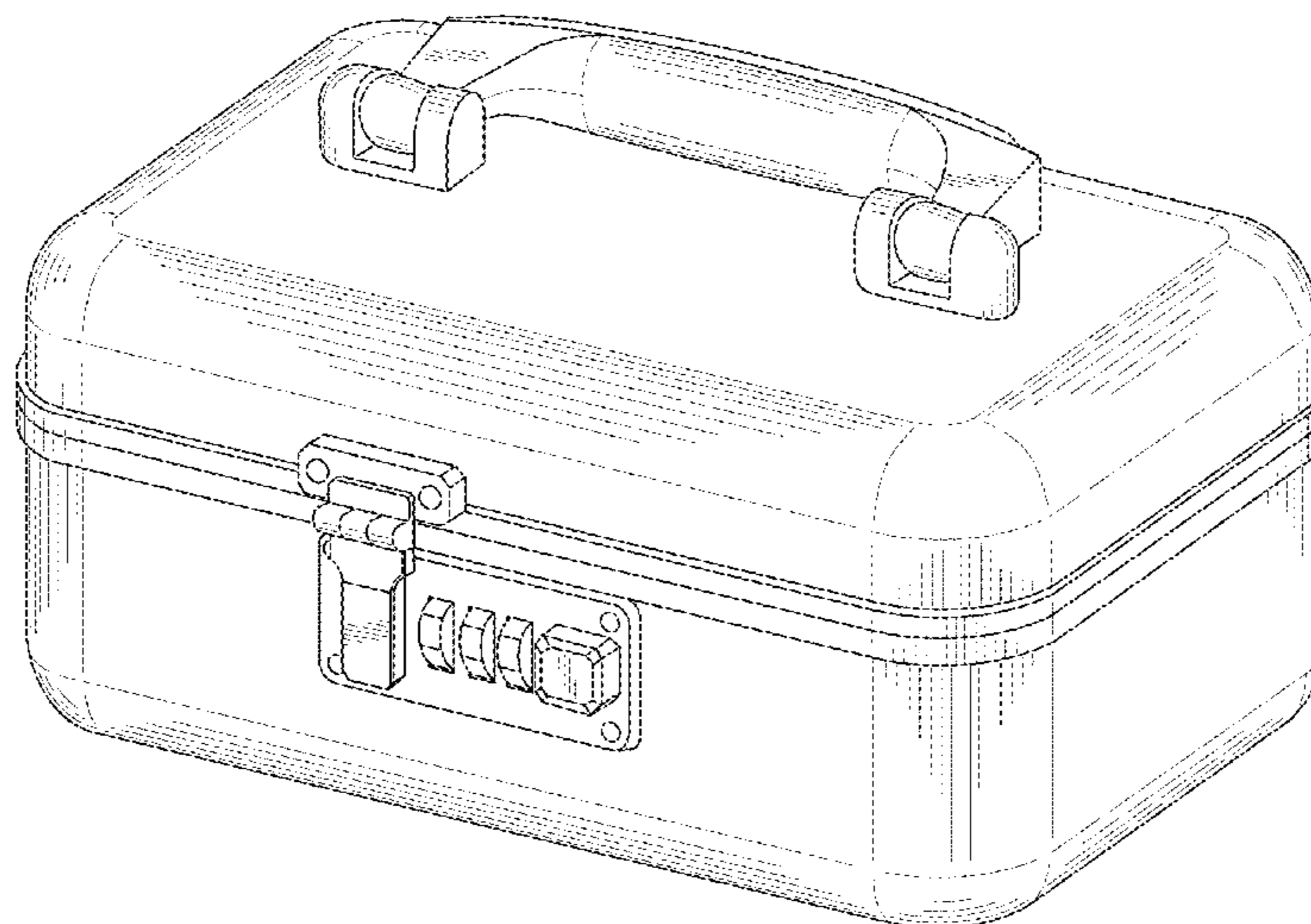
(57) **CLAIM**

The ornamental design for a lockbox for medication, as shown.

DESCRIPTION

FIG. 1 is a perspective view of a lockbox for medication showing my new design;
FIG. 2 is a front elevation view thereof;
FIG. 3 is a rear elevation view thereof;
FIG. 4 is a top plan view thereof;
FIG. 5 is a bottom plan view thereof;
FIG. 6 is a right side view thereof; and,
FIG. 7 is a left side view thereof.

1 Claim, 4 Drawing Sheets



(56)

References Cited

U.S. PATENT DOCUMENTS

D529,287 S 10/2006 Perella et al.
D596,399 S * 7/2009 Decarlo D3/291
D619,809 S * 7/2010 Huang D3/276
D621,152 S * 8/2010 Lebow D3/203.1
D671,743 S * 12/2012 Cenzano D3/272
D719,344 S * 12/2014 Miller D3/203.1
D736,519 S * 8/2015 Chui D3/276
D762,444 S * 8/2016 Thomson D8/331
D844,323 S * 4/2019 Shuai D3/274
D861,342 S * 10/2019 DeCarlo D3/294
D872,477 S * 1/2020 Perella D3/291
D875,395 S * 2/2020 DeCarlo D3/294
D907,362 S * 1/2021 Perella D3/294
D927,851 S * 8/2021 Chasseriaux D3/294
2012/0080350 A1 * 4/2012 Powell E05B 39/00
206/528

OTHER PUBLICATIONS

Imicsun Empty Medicine Lock Box . . . , first available Jan. 8, 2021, amazon.com [online], [site visited Aug. 6, 2021], Available at internet URL: <https://www.amazon.com/dp/B08SJLY4BN> (Year: 2019).*

Hewei Durable Empty Medicine Box . . . , first available Jul. 2, 2019, amazon.com [online], [site visited Aug. 6, 2021], Available at internet URL: <https://www.amazon.com/dp/B07TS8K6XN> (Year: 2019).*

* cited by examiner

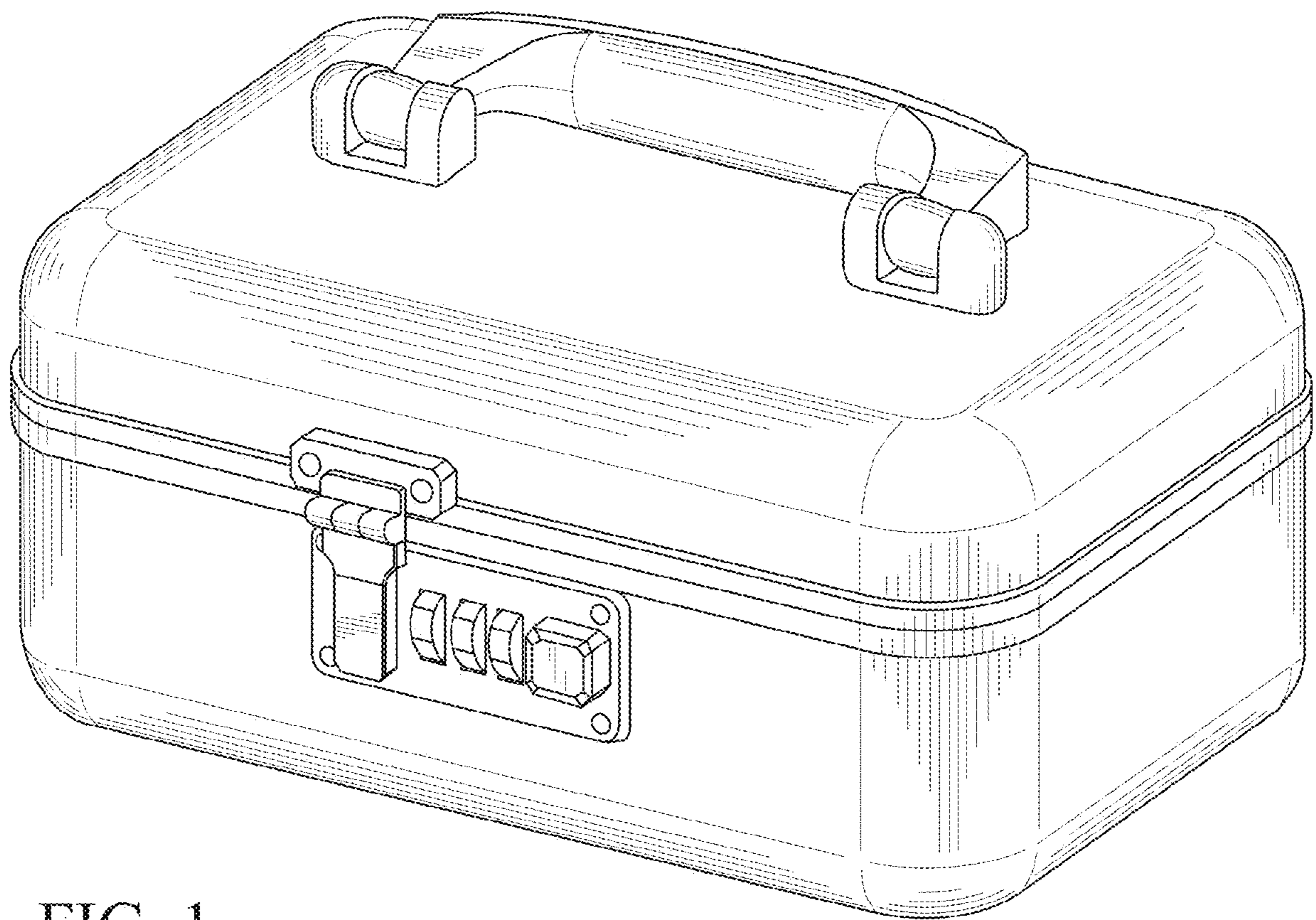


FIG. 1

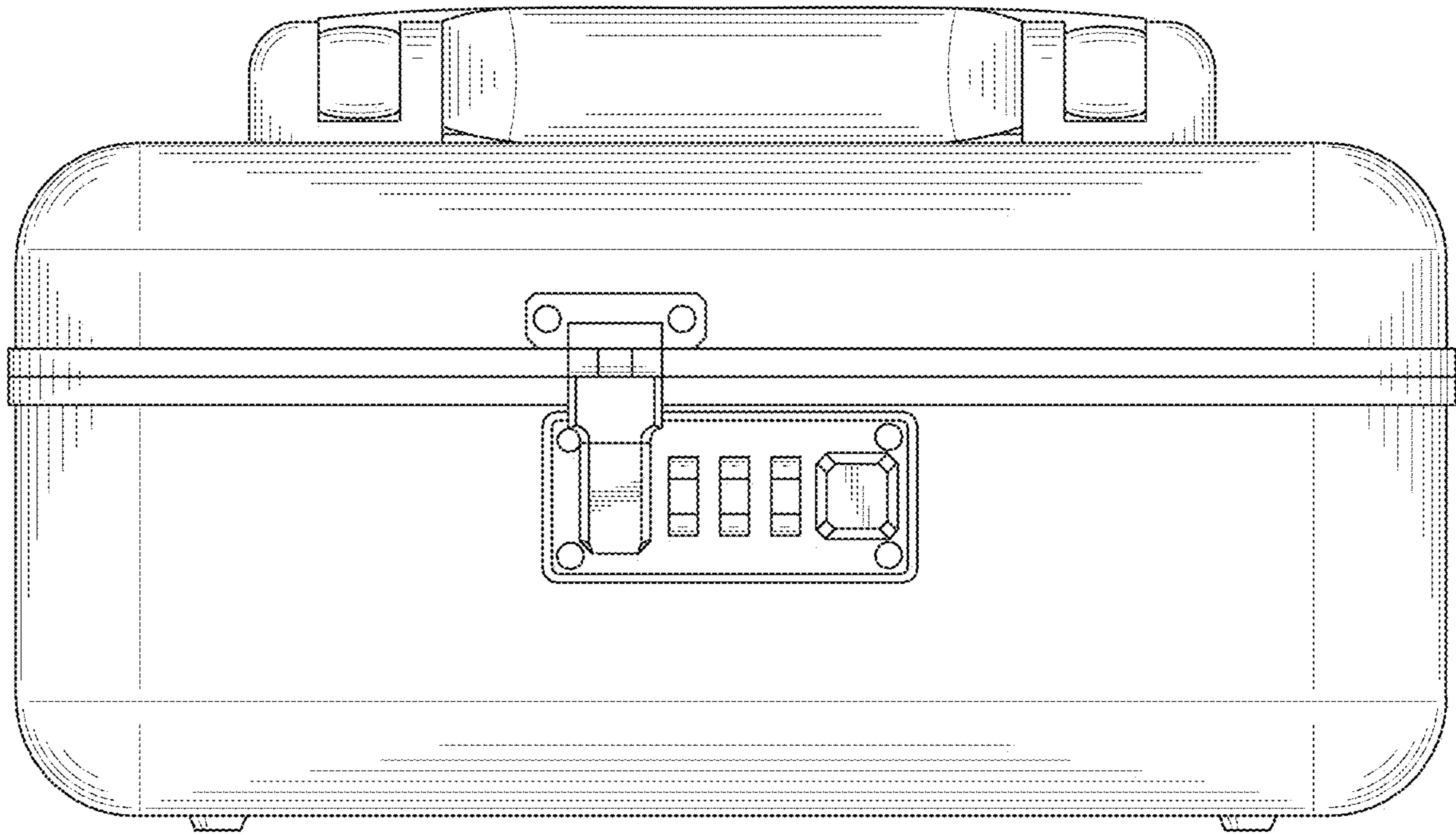


FIG. 2

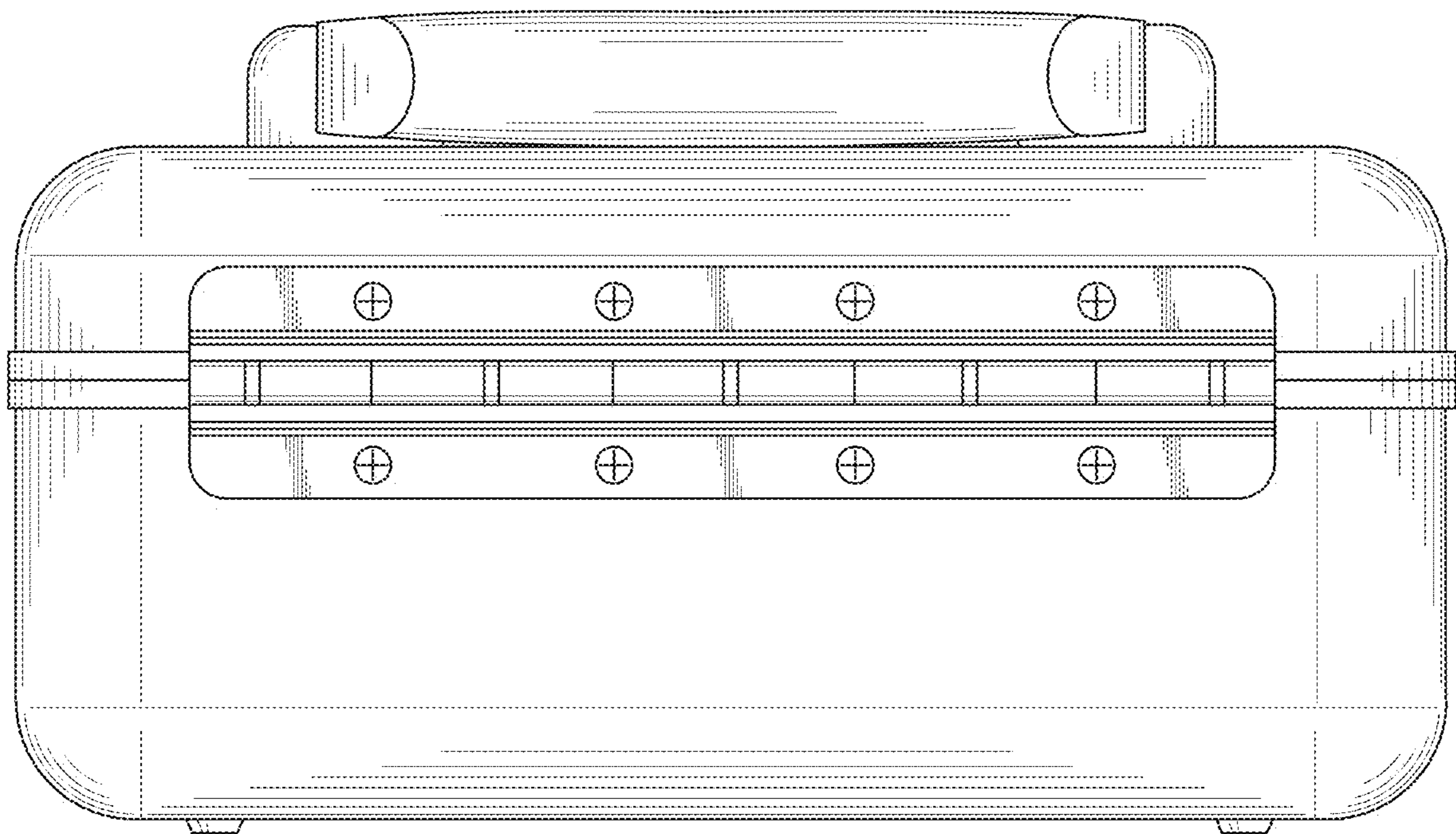


FIG. 3

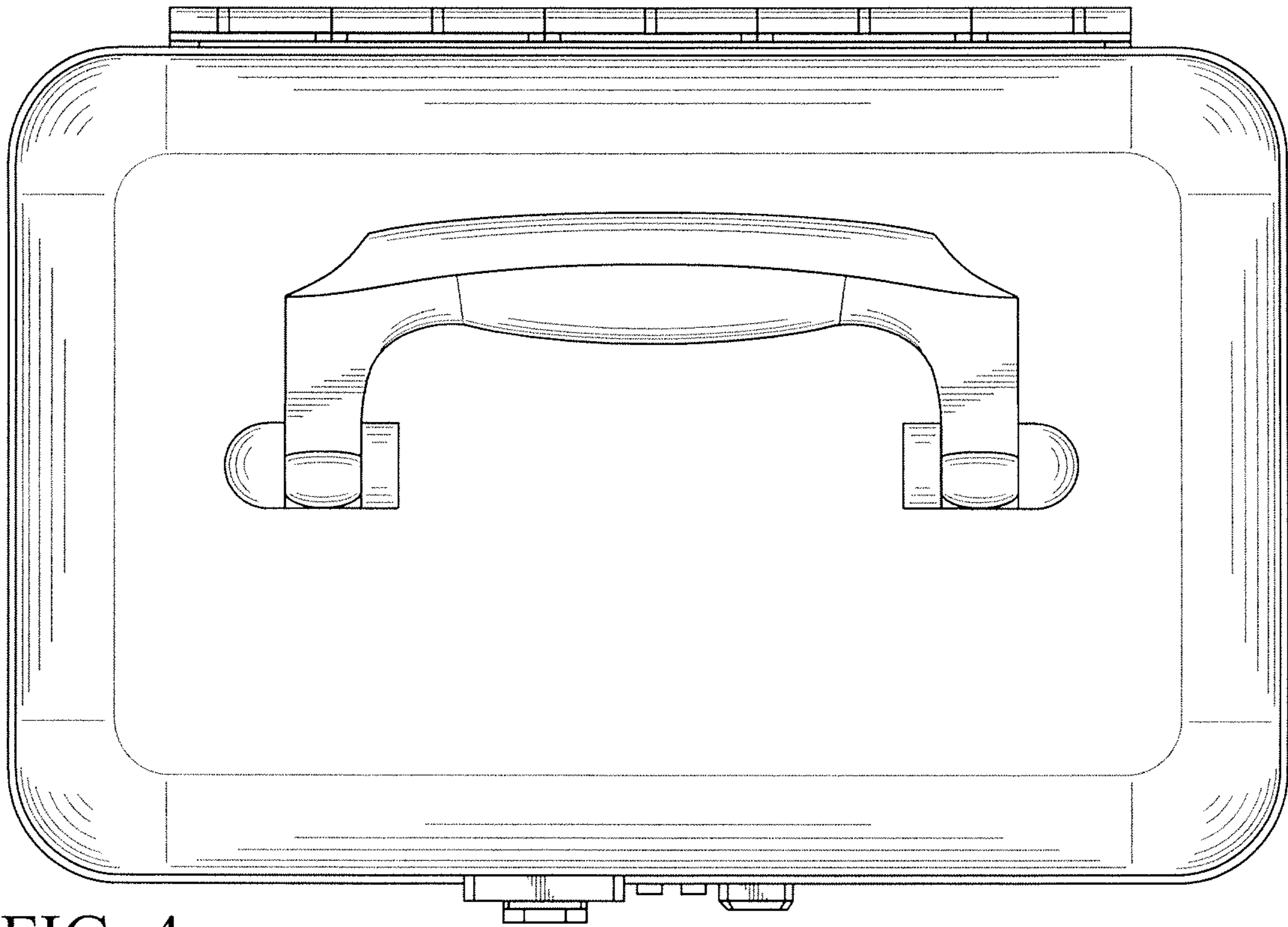


FIG. 4

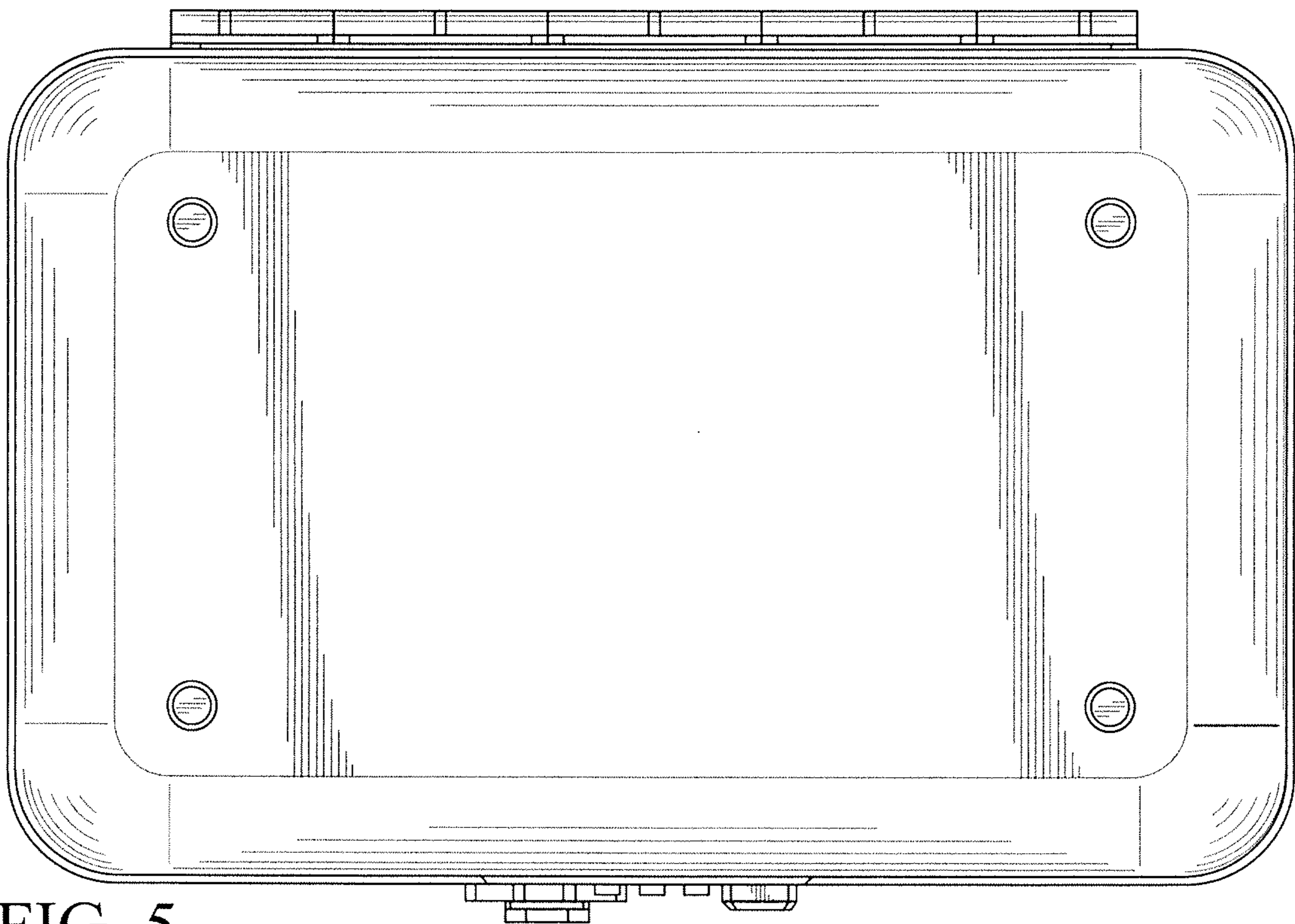


FIG. 5

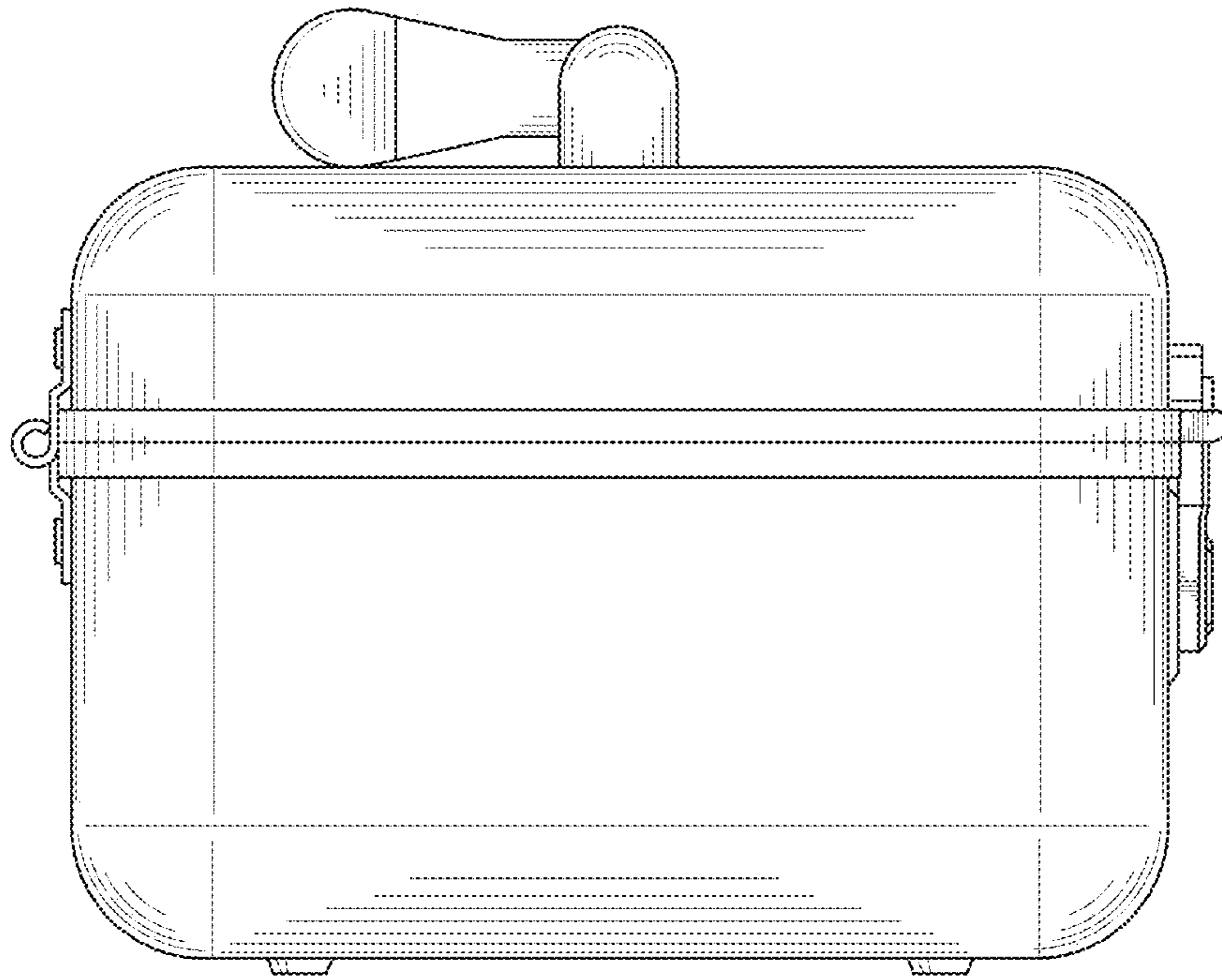


FIG. 6

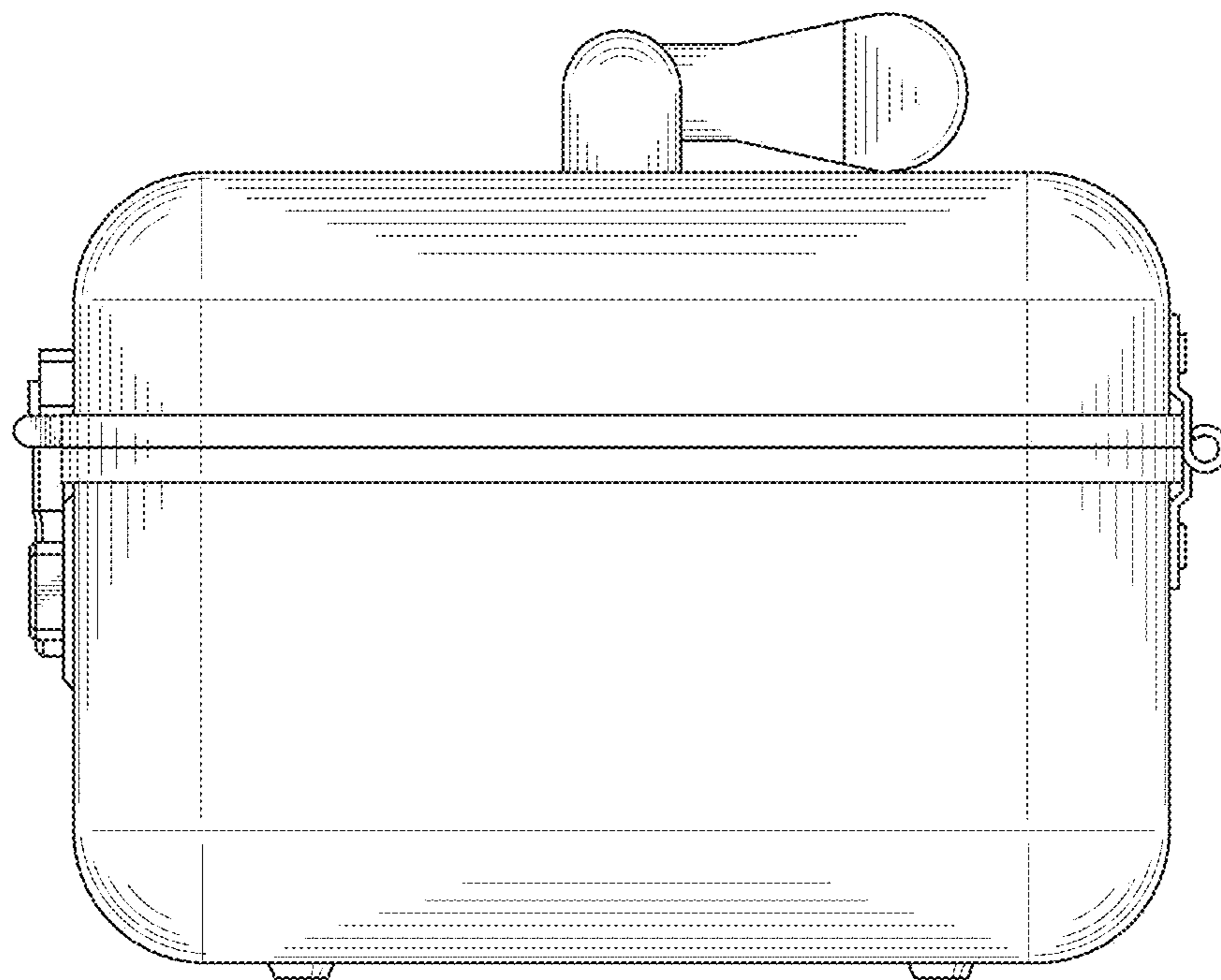


FIG. 7