



US00D937560S

(12) **United States Design Patent** (10) **Patent No.:** **US D937,560 S**
Lateef (45) **Date of Patent:** **** Dec. 7, 2021**

(54) **CONTAINER FOR MEDICATION STORAGE**

(71) Applicant: **LockMed Medical Product Company,**
Pittsburgh, PA (US)

(72) Inventor: **Mujahed B. Lateef,** Pittsburgh, PA
(US)

(73) Assignee: **Lockmed of Florida, Inc.,** Jacksonville,
FL (US)

(**) Term: **15 Years**

(21) Appl. No.: **29/732,165**

(22) Filed: **Apr. 22, 2020**

(51) **LOC (13) Cl.** **03-01**

(52) **U.S. Cl.**
USPC **D3/203.1; D3/291; D3/294; D99/28**

(58) **Field of Classification Search**
USPC ... D3/201, 203.1–203.8, 206, 273–274, 276,
D3/281–282, 290–292, 294, 900–901,
D3/903, 905; D7/602, 605, 709,
D7/629–630; D8/331, 336, 338; D28/73;
D99/28, 34–35

CPC A45C 1/02; A45C 3/00; A45C 3/02; A45C
2003/007; A45C 2003/008; A45C 5/00;
A45C 5/005; A45C 5/04; A45C 11/00;
A45C 11/008; A45C 11/16; A45C
2011/007; A45C 15/00; A45C 15/04;
A45C 2200/00; A45C 2200/10; A45D
33/008; A45D 29/20; A45D 2200/00;
B25H 3/02

See application file for complete search history.

(56) **References Cited**

U.S. PATENT DOCUMENTS

D308,137 S * 5/1990 Grecchi D3/292
D313,502 S * 1/1991 Vasky D3/284
D386,614 S * 11/1997 Smith D3/273
D388,251 S * 12/1997 Smith D3/291
D421,182 S * 2/2000 Lee D3/276

D467,428 S * 12/2002 Wolf D3/276
D490,206 S 5/2004 Perella et al.
D493,936 S 8/2004 Perella et al.
D496,791 S 10/2004 Perella et al.
D498,049 S * 11/2004 Perella D3/273
D500,922 S 1/2005 Perella et al.
D503,024 S * 3/2005 Perella D99/28
D503,503 S 3/2005 Perella et al.
D504,990 S 5/2005 Perella et al.
D511,035 S 10/2005 Perella et al.
D521,730 S * 5/2006 Lang D3/273

(Continued)

FOREIGN PATENT DOCUMENTS

KR 301028654.0000 * 10/2019

OTHER PUBLICATIONS

Lockmed Guardian Large Combination Lockbox, unknown first available date, lockmed.com [online], [site visited Aug. 6, 2021], Available at internet URL: <https://www.lockmed.com/product-p/asa-1500.htm> (Year: 2021).*

(Continued)

Primary Examiner — Jeffrey D Asch
Assistant Examiner — Caitlin A Laverty
(74) *Attorney, Agent, or Firm* — McKay Law

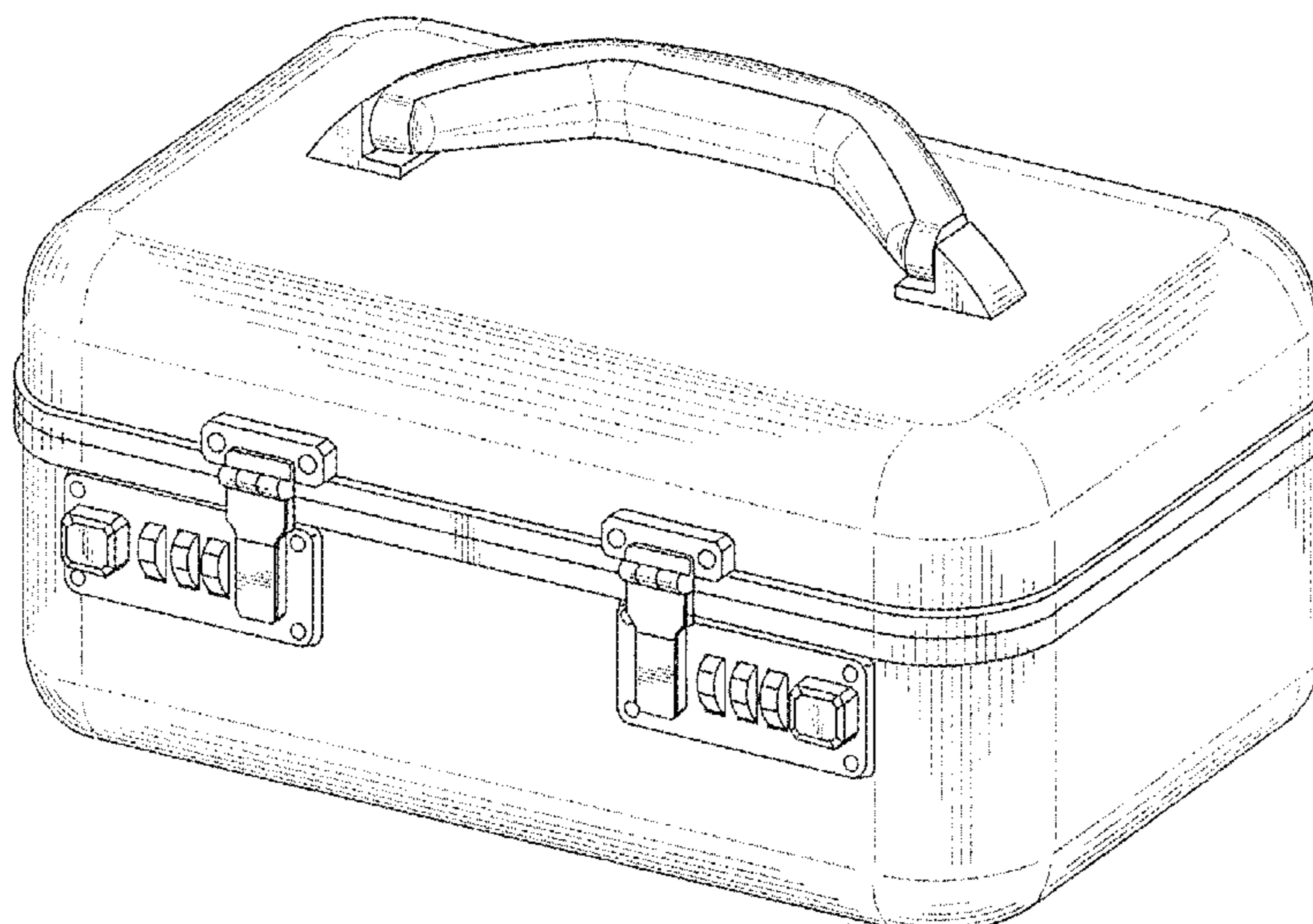
(57) **CLAIM**

The ornamental design for a container for medication storage, as shown.

DESCRIPTION

FIG. 1 is a perspective view of a container for medication storage showing my new design;
FIG. 2 is a front elevation view thereof;
FIG. 3 is a rear elevation view thereof;
FIG. 4 is a top plan view thereof;
FIG. 5 is a bottom plan view thereof;
FIG. 6 is a right side view thereof; and,
FIG. 7 is a left side view thereof.

1 Claim, 4 Drawing Sheets



(56)

References Cited

U.S. PATENT DOCUMENTS

D522,746 S 6/2006 Perella et al.
D529,287 S 10/2006 Perella et al.
D596,399 S * 7/2009 Decarlo D3/291
D619,809 S * 7/2010 Huang D3/276
D643,623 S * 8/2011 Chin D3/272
D671,743 S * 12/2012 Cenzano D3/272
D762,444 S * 8/2016 Thomson D8/331
D851,929 S * 6/2019 Shpitzer D3/276
D872,477 S * 1/2020 Perella D3/291
D927,851 S * 8/2021 Chasseriaux D3/294
2008/0264946 A1 * 10/2008 Moschella B25H 3/02
220/326
2017/0318925 A1 * 11/2017 Tonelli A45C 13/04

OTHER PUBLICATIONS

Medicine RX Safe MCC-LGS Medication Carrying Case, first available Aug. 7, 2019, amazon.com [online], [site visited Aug. 6, 2021], Available at internet URL: <https://www.amazon.com/dp/B07W8Z6CRH> (Year: 2019).*

* cited by examiner

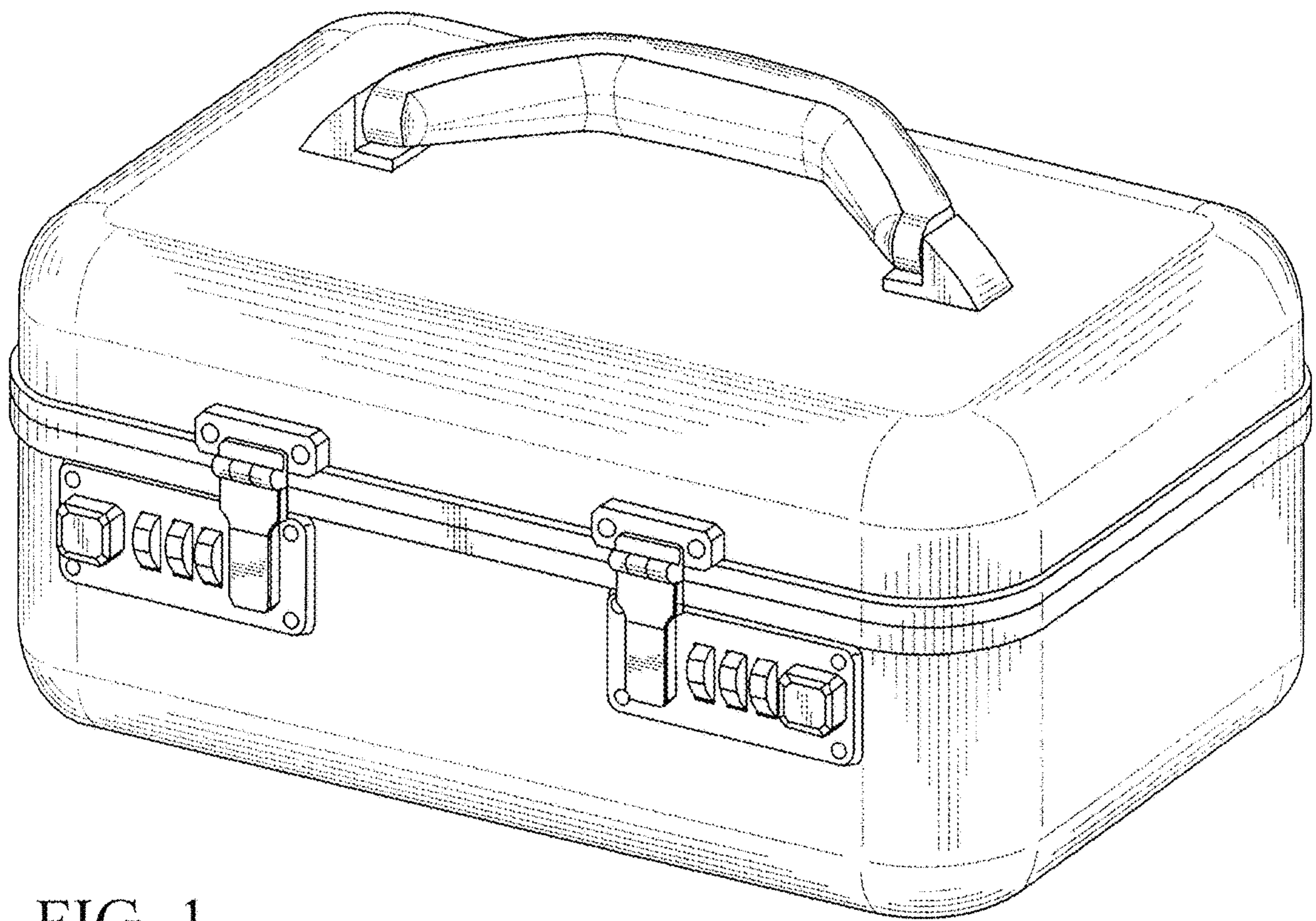


FIG. 1

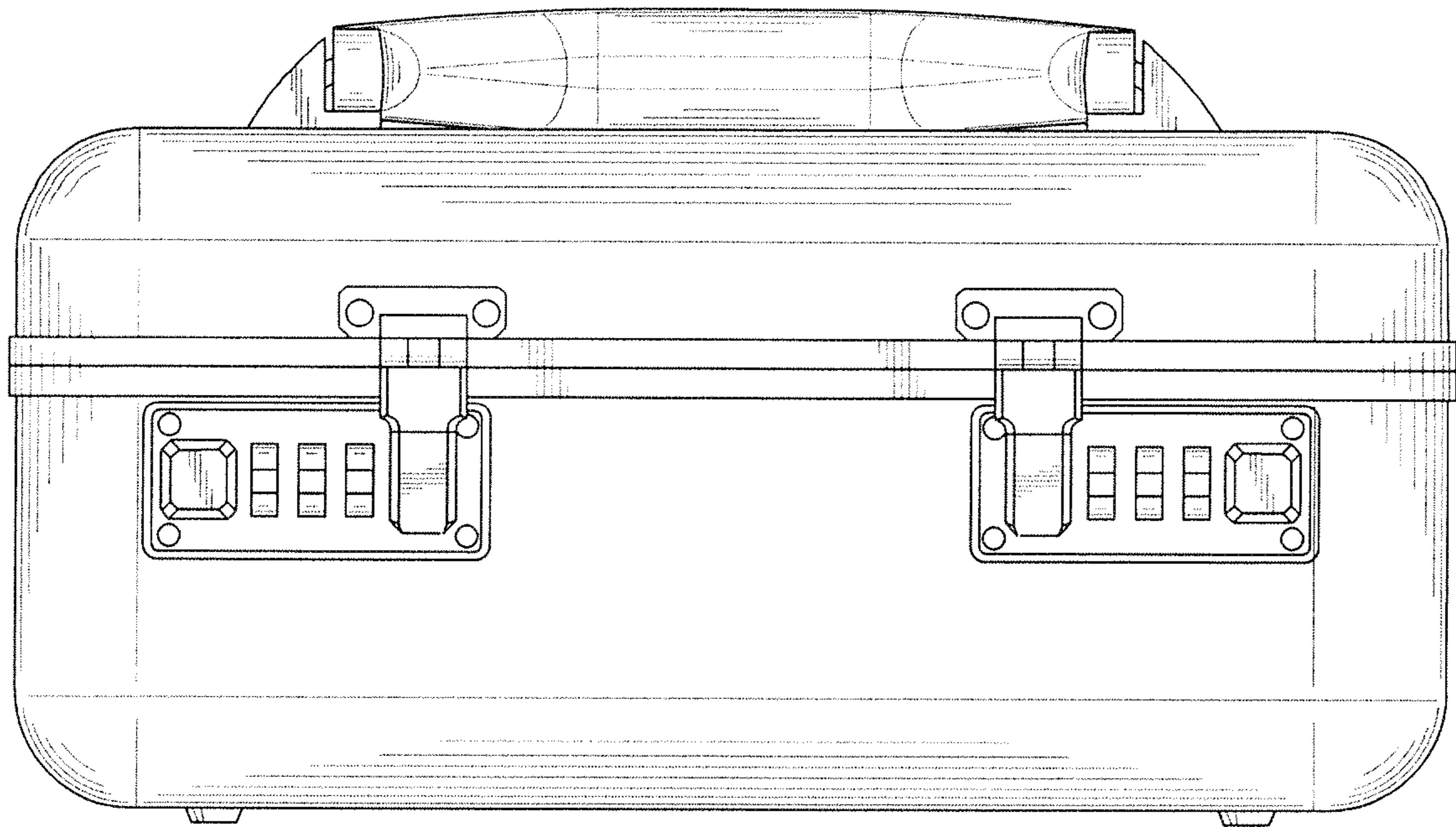


FIG. 2

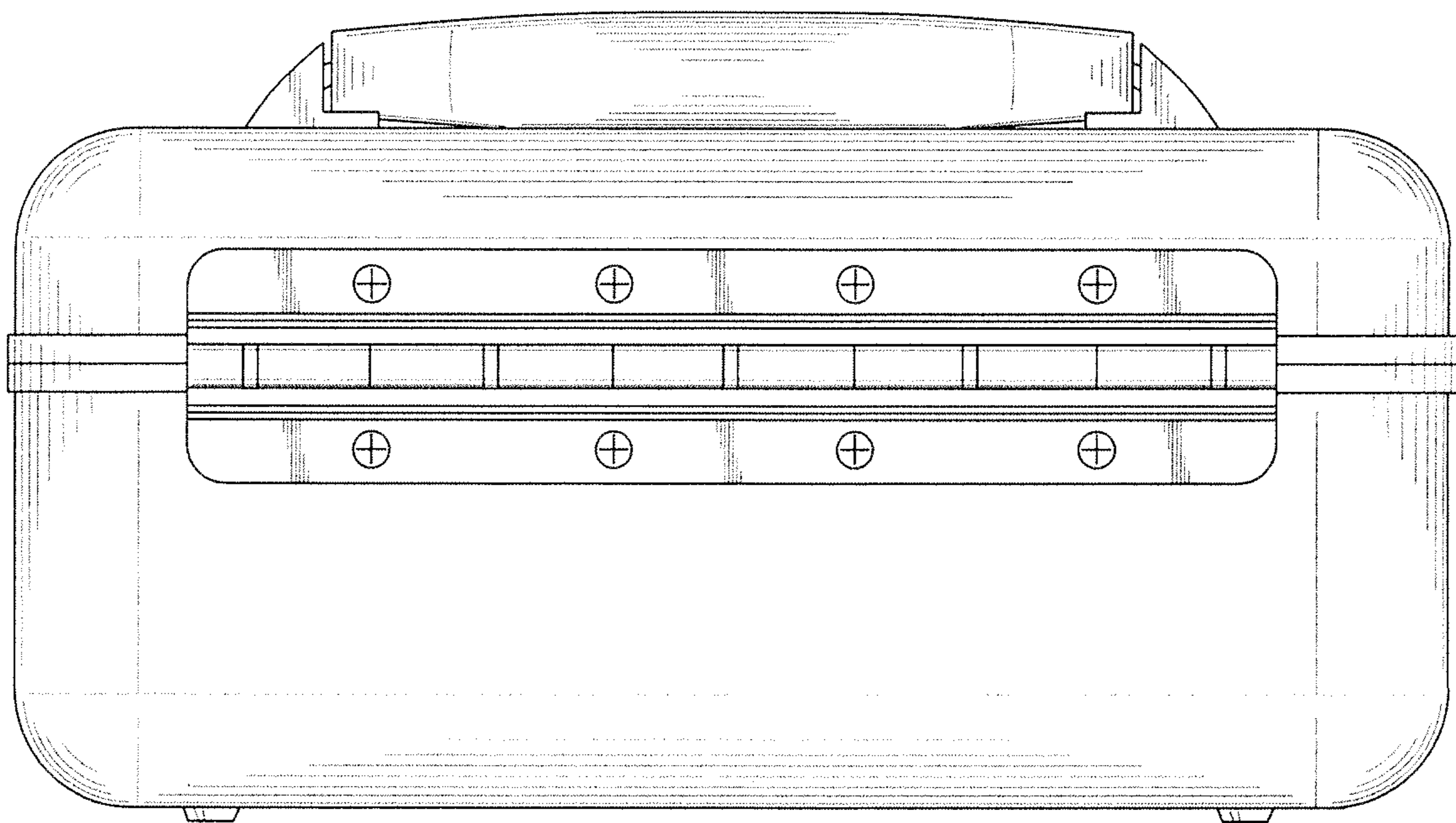


FIG. 3

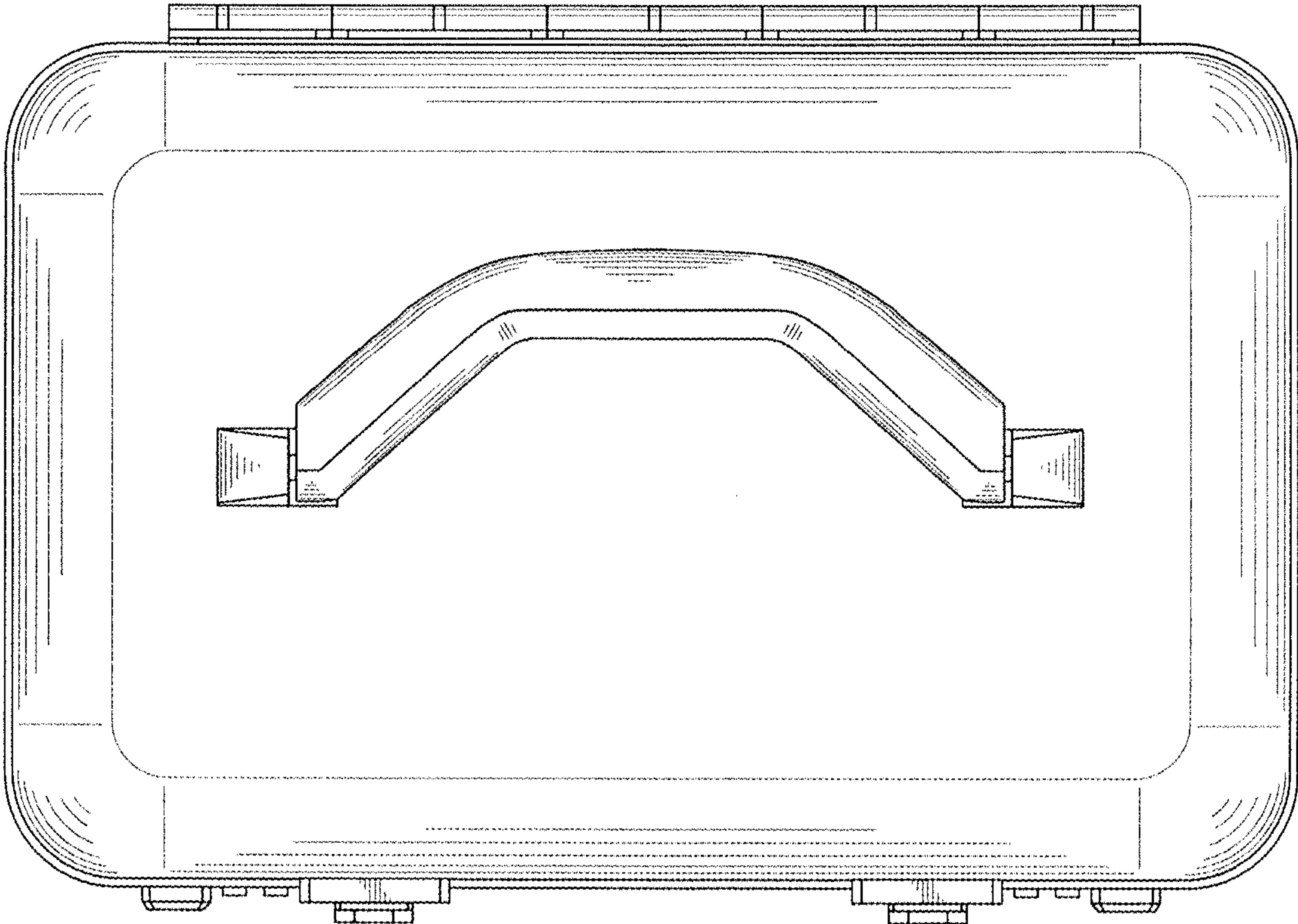


FIG. 4

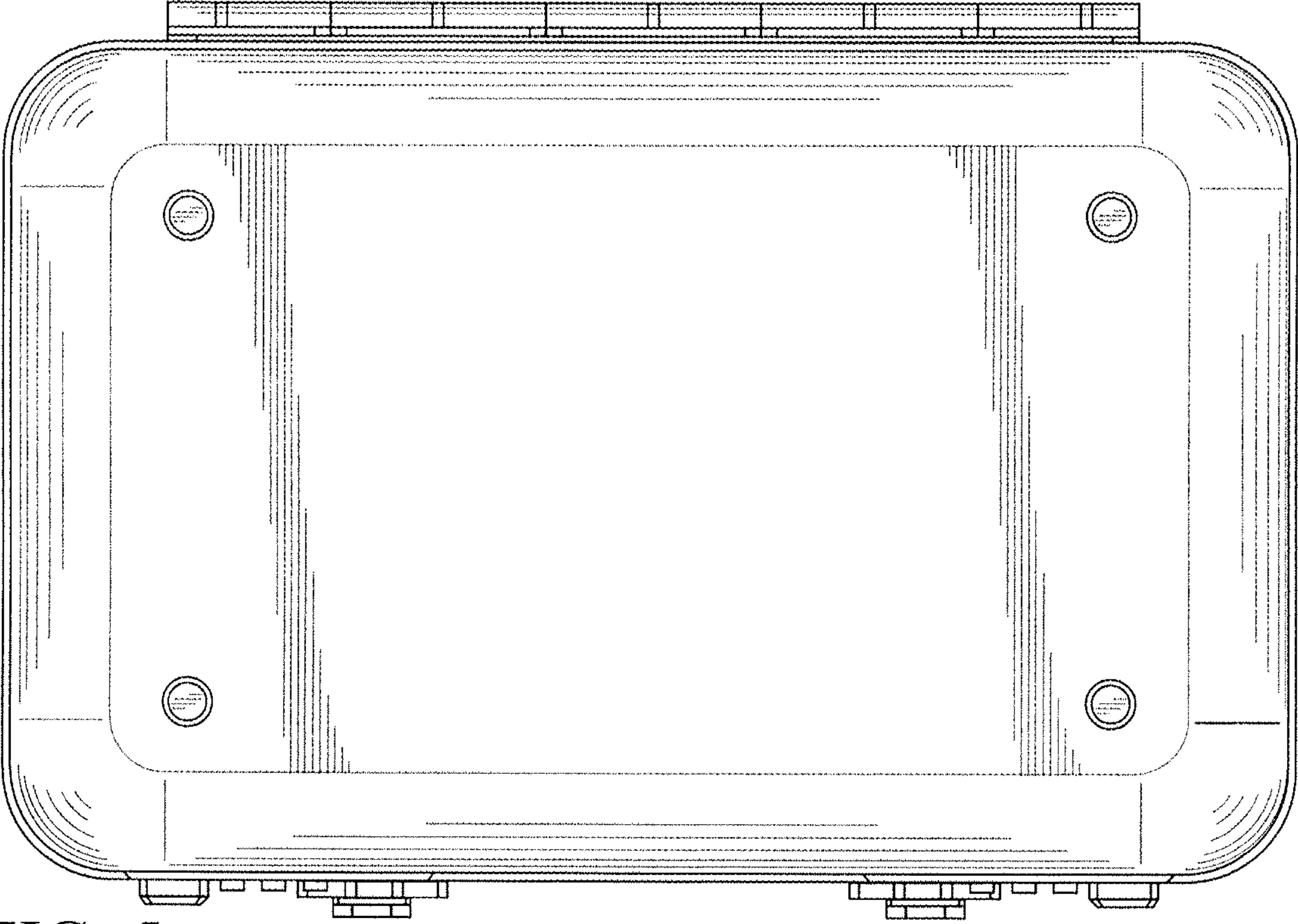


FIG. 5

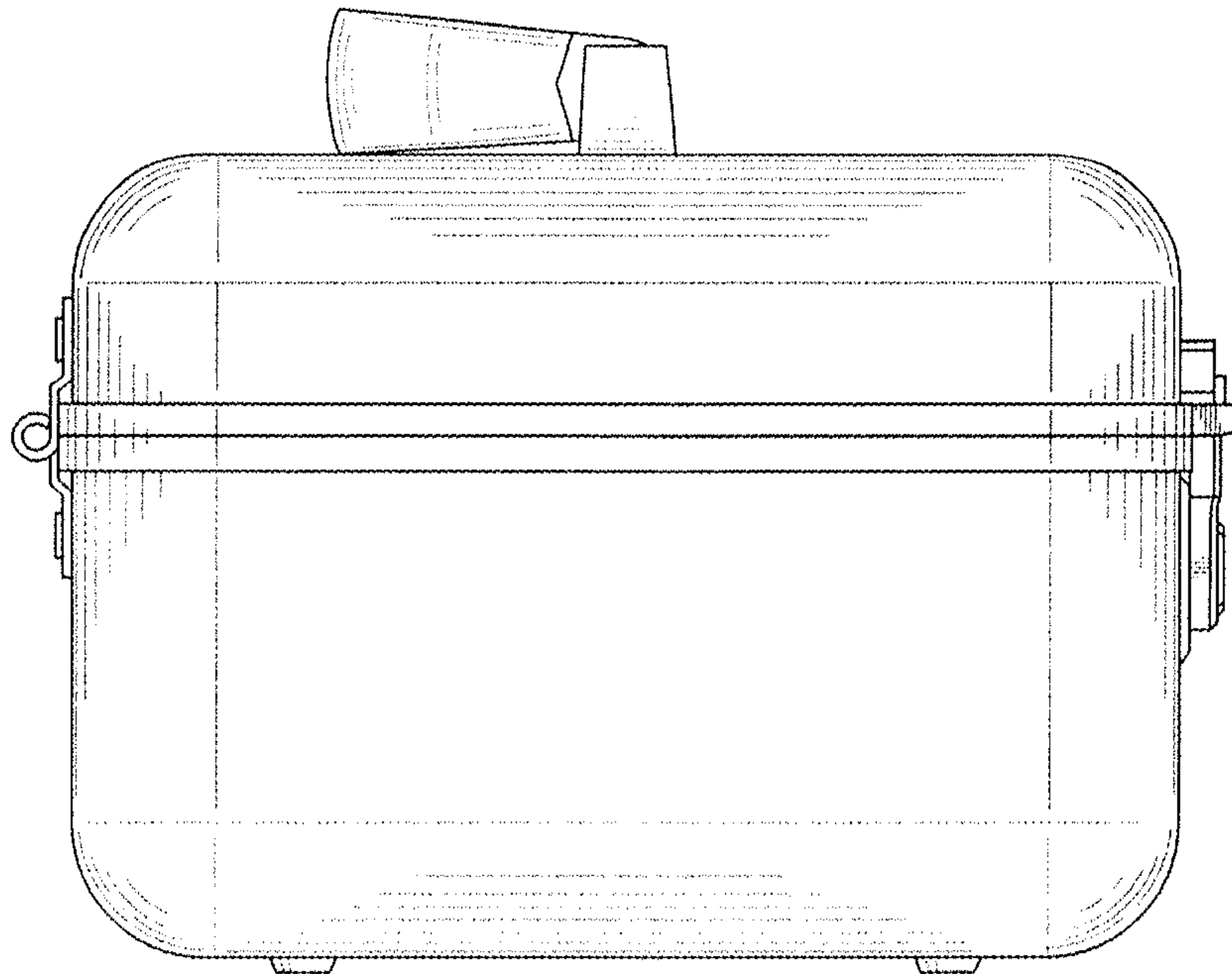


FIG. 6

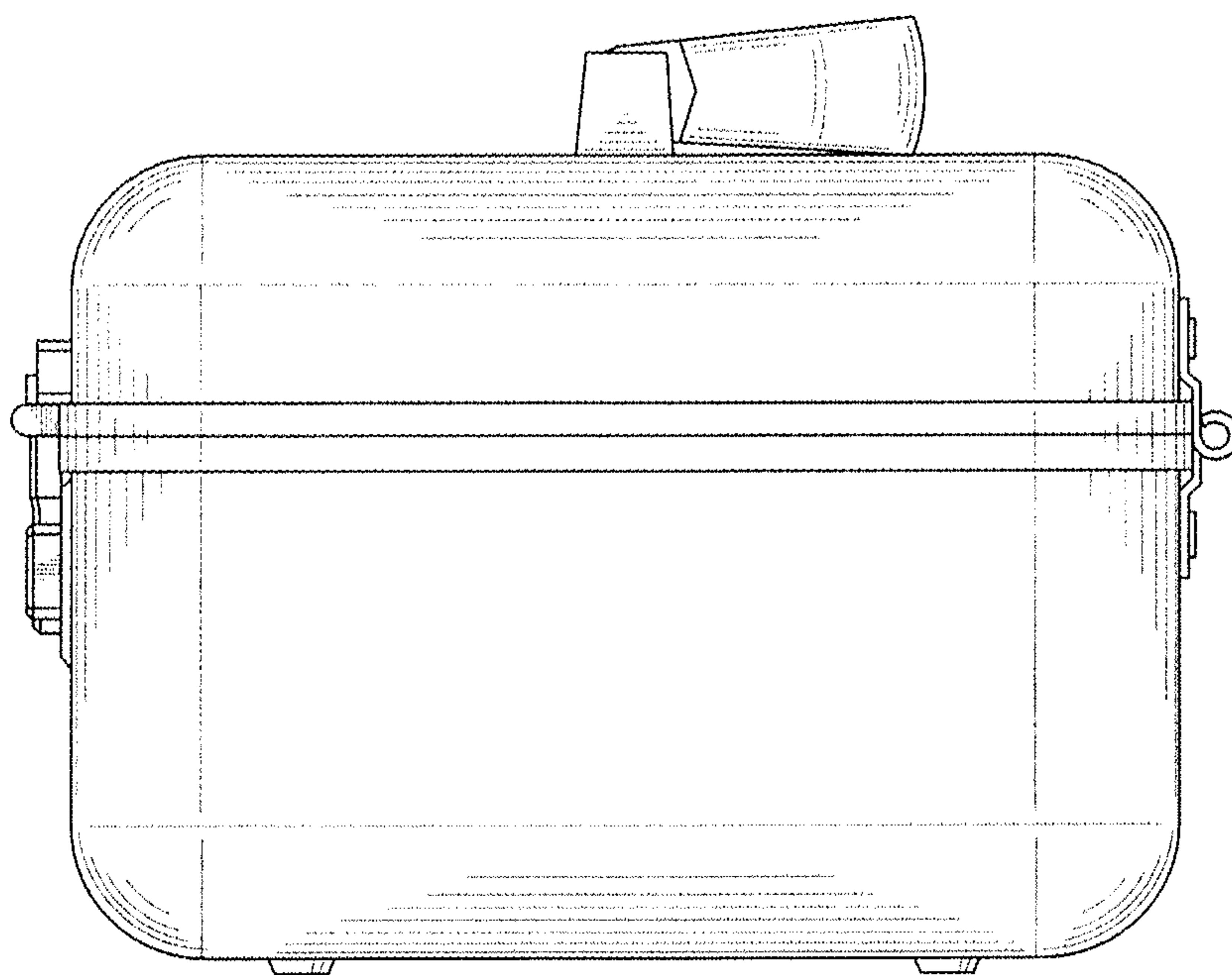


FIG. 7