

US00D937548S

(12) **United States Design Patent** (10) **Patent No.:** **US D937,548 S**  
**Verrecchia** (45) **Date of Patent:** **\*\* Dec. 7, 2021**

(54) **SHOE SOLE**

(71) Applicant: **Salvatore Ferragamo S.p.A.**, Florence (IT)

(72) Inventor: **Massimiliano Verrecchia**, Lugano (CH)

(73) Assignee: **SALVATORE FERRAGAMO S.P.A.**, Florence (IT)

(\*\*) Term: **15 Years**

(21) Appl. No.: **35/509,573**

(22) Filed: **Dec. 12, 2019**

(80) **Hague Agreement Data**

Int. Filing Date: **Dec. 12, 2019**

Int. Reg. No.: **DM/205111**

Int. Reg. Date: **Dec. 12, 2019**

Int. Reg. Pub. Date: **Jun. 12, 2020**

(30) **Foreign Application Priority Data**

Jun. 13, 2019 (EM) ..... 006578156

(51) **LOC (13) Cl.** ..... **02-04**

(52) **U.S. Cl.**  
USPC ..... **D2/953; D2/947**

(58) **Field of Classification Search**  
USPC ..... D2/908, 947, 951-953, 957, 958, 960  
CPC ..... A43B 13/04; A43B 13/187; A43B 13/188;  
A43B 3/16; A43B 13/125; A43B 13/223;  
A43B 13/122; A43B 13/141; A43B  
13/14; A43B 13/181; A43B 13/16; A43B  
1/0009; A43B 7/32

See application file for complete search history.

(56) **References Cited**

U.S. PATENT DOCUMENTS

D783,961 S *	4/2017	Nelson	.....	D2/951
D817,610 S *	5/2018	Shyllon	.....	D2/947
D846,241 S *	4/2019	Enayah	.....	D2/947
D858,055 S *	9/2019	Kasprzak	.....	D2/951
D876,768 S *	3/2020	Aden	.....	D2/947
D877,467 S *	3/2020	Taylor	.....	D2/947
D887,689 S *	6/2020	Bove	.....	D2/947
D901,854 S *	11/2020	Avar	.....	D2/947
2019/0082781 A1 *	3/2019	Iuchi	.....	A43B 13/04
2019/0281923 A1 *	9/2019	Corbett	.....	A43B 13/18

\* cited by examiner

*Primary Examiner* — Jennifer L Watkins

(74) *Attorney, Agent, or Firm* — Lucas & Mercanti, LLP

(57) **CLAIM**

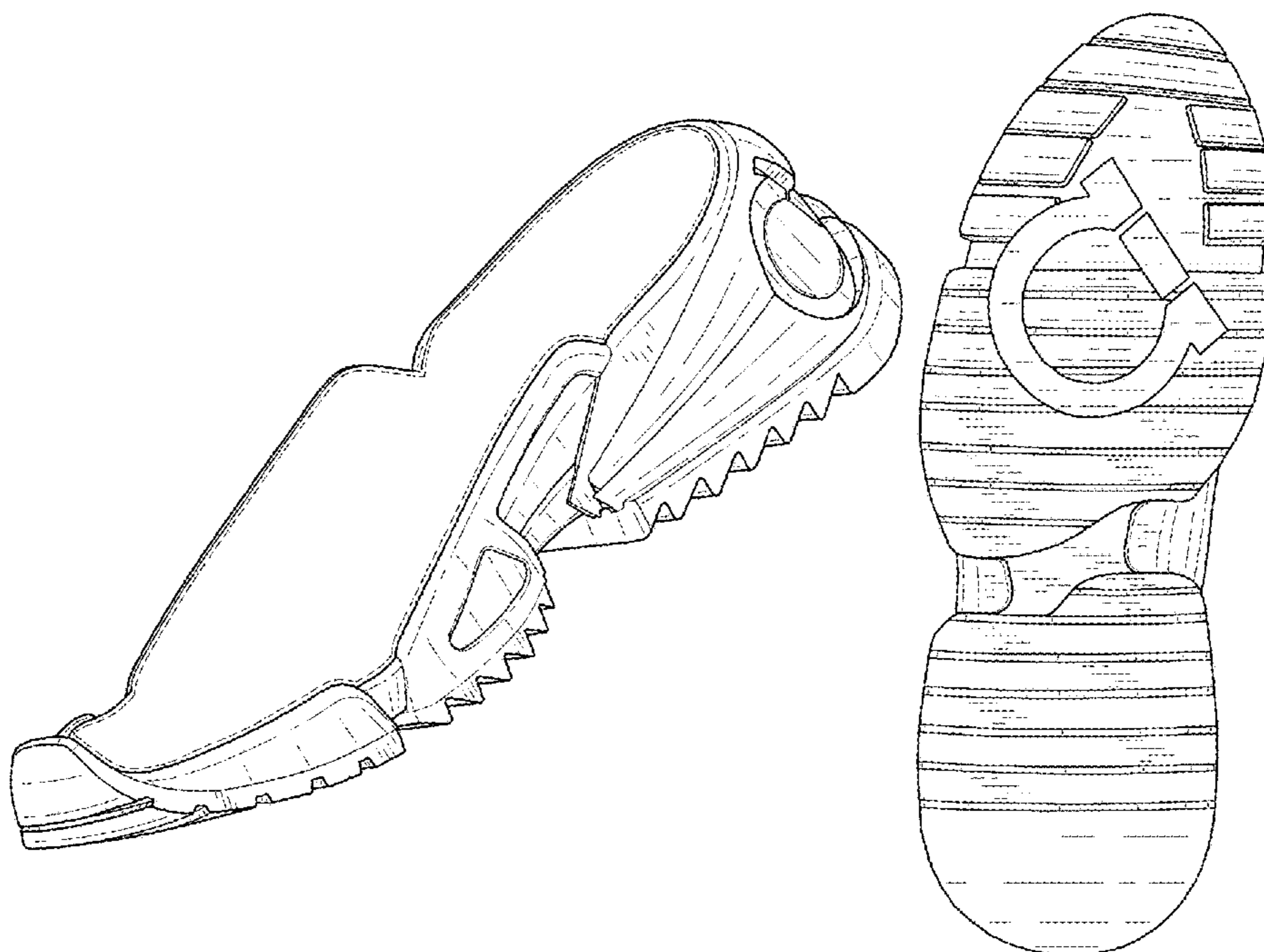
The ornamental design for a shoe sole, as shown and described.

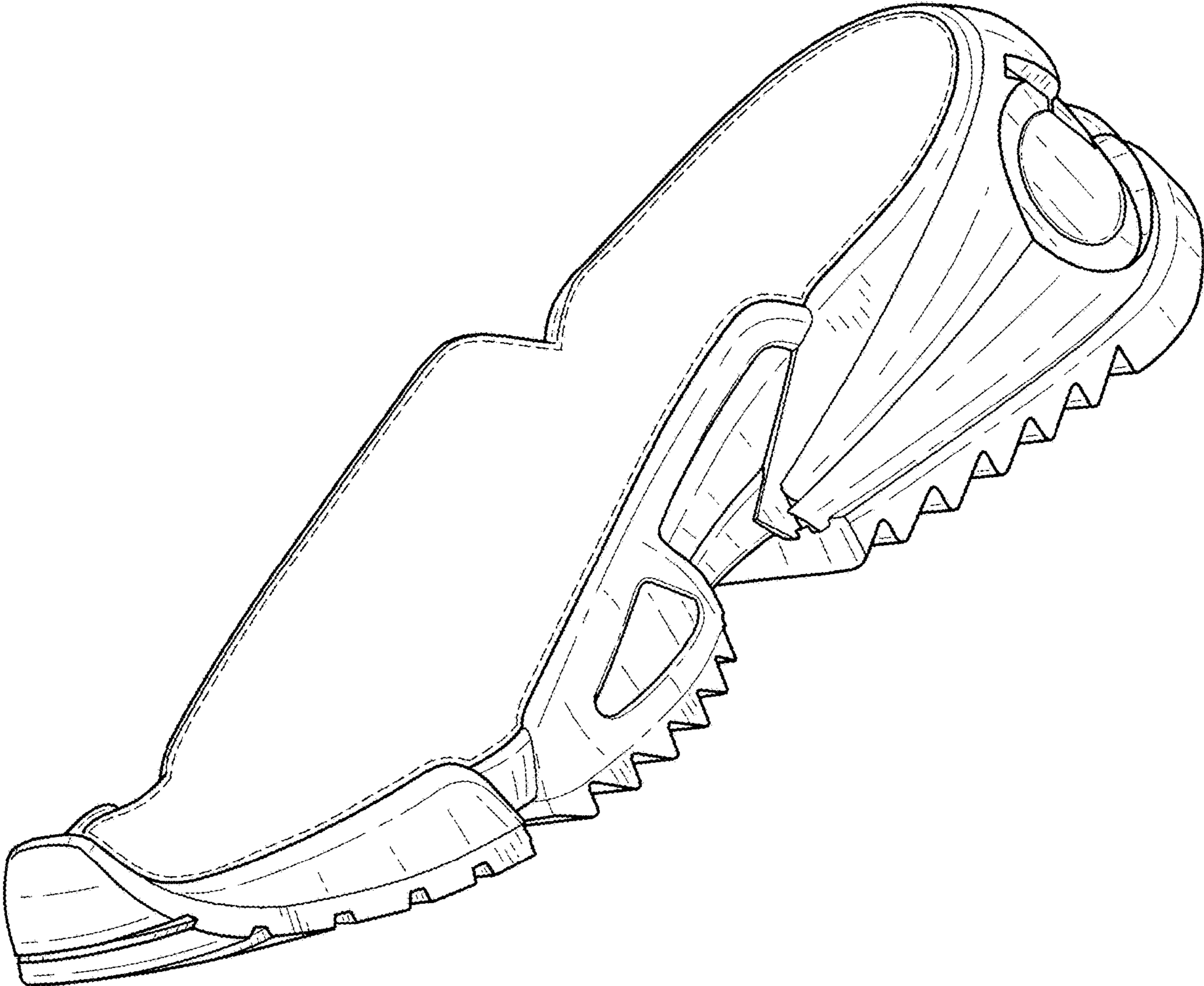
**DESCRIPTION**

- 2. Shoe sole
- 2.1 Perspective
- 2.2 Right
- 2.3 Left
- 2.4 Front
- 2.5 Back
- 2.6 Bottom
- 2.7 Top

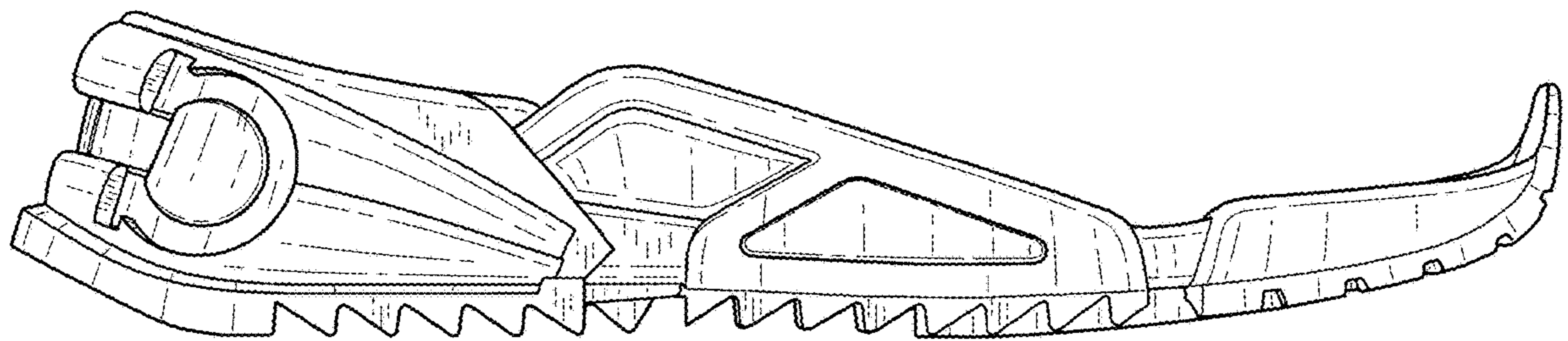
The broken lines illustrate portions of the shoe sole that form no part of the claimed design.

**1 Claim, 7 Drawing Sheets**

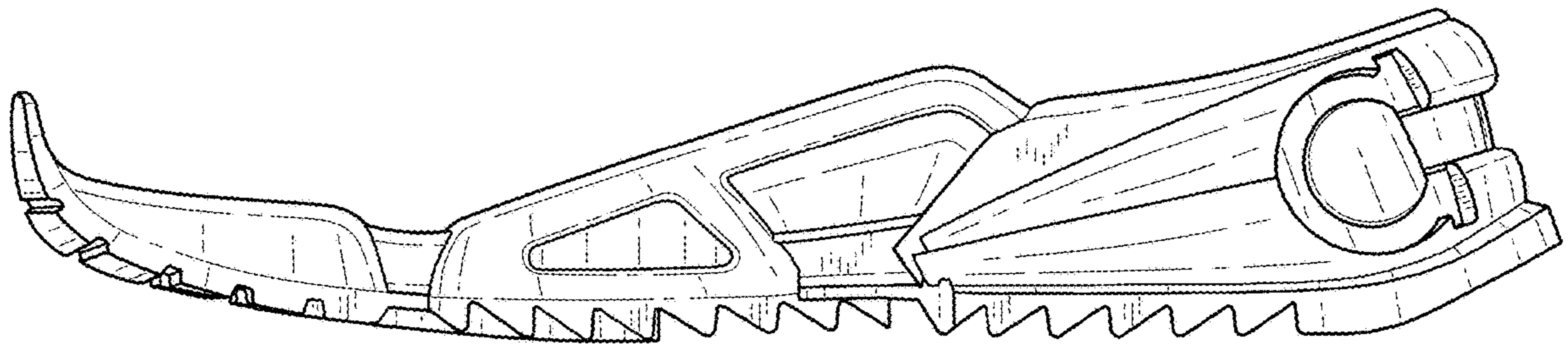




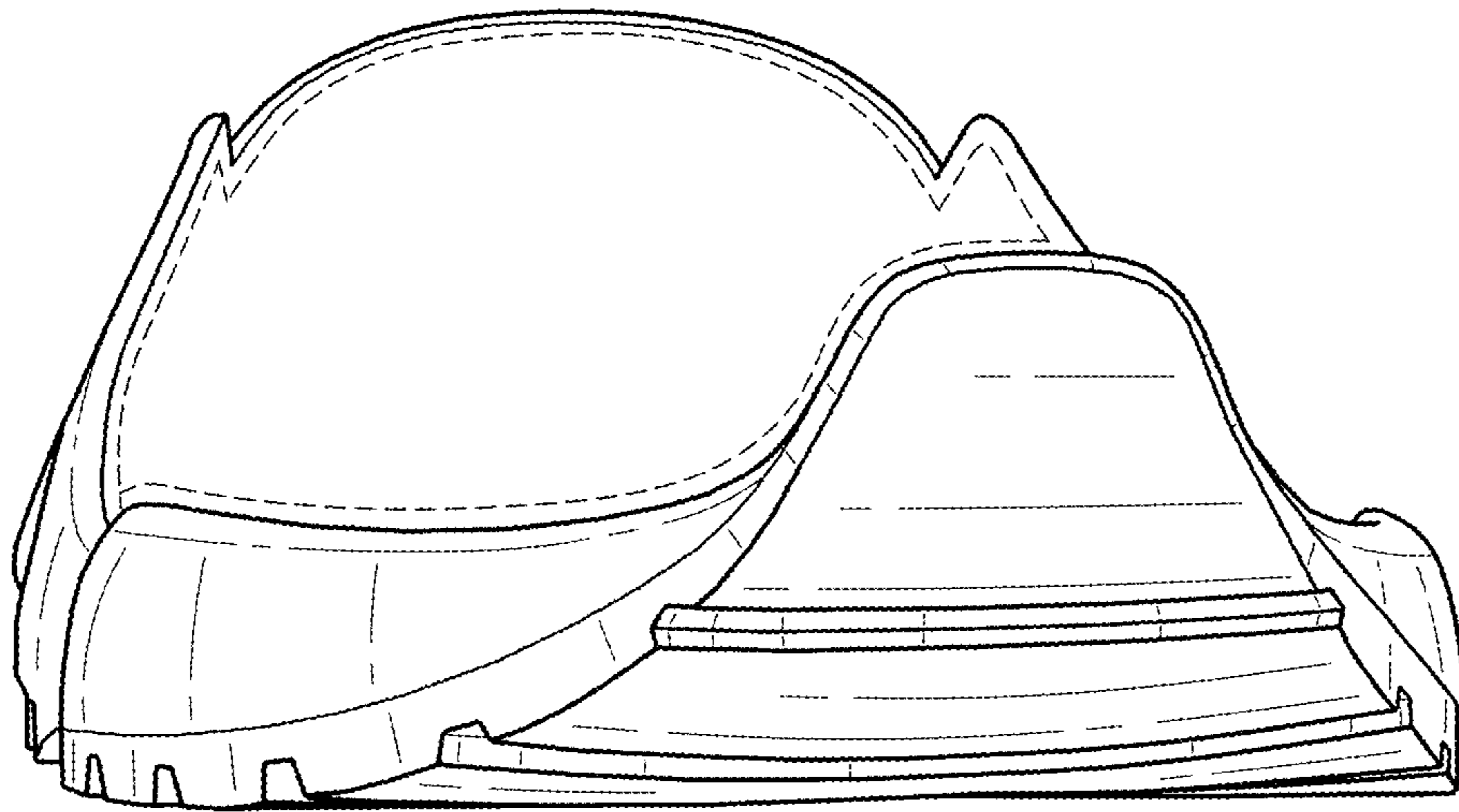
2.1



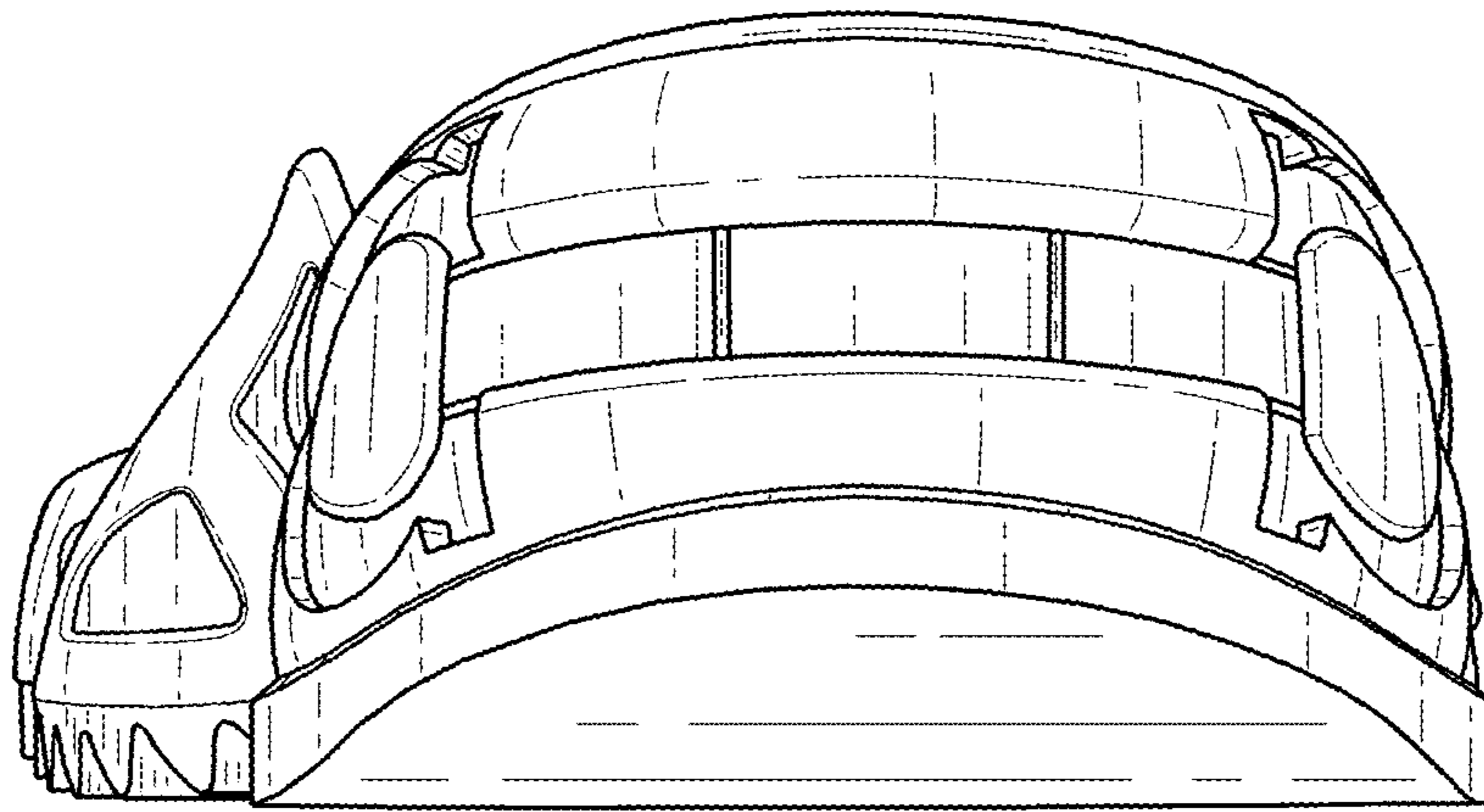
2.2



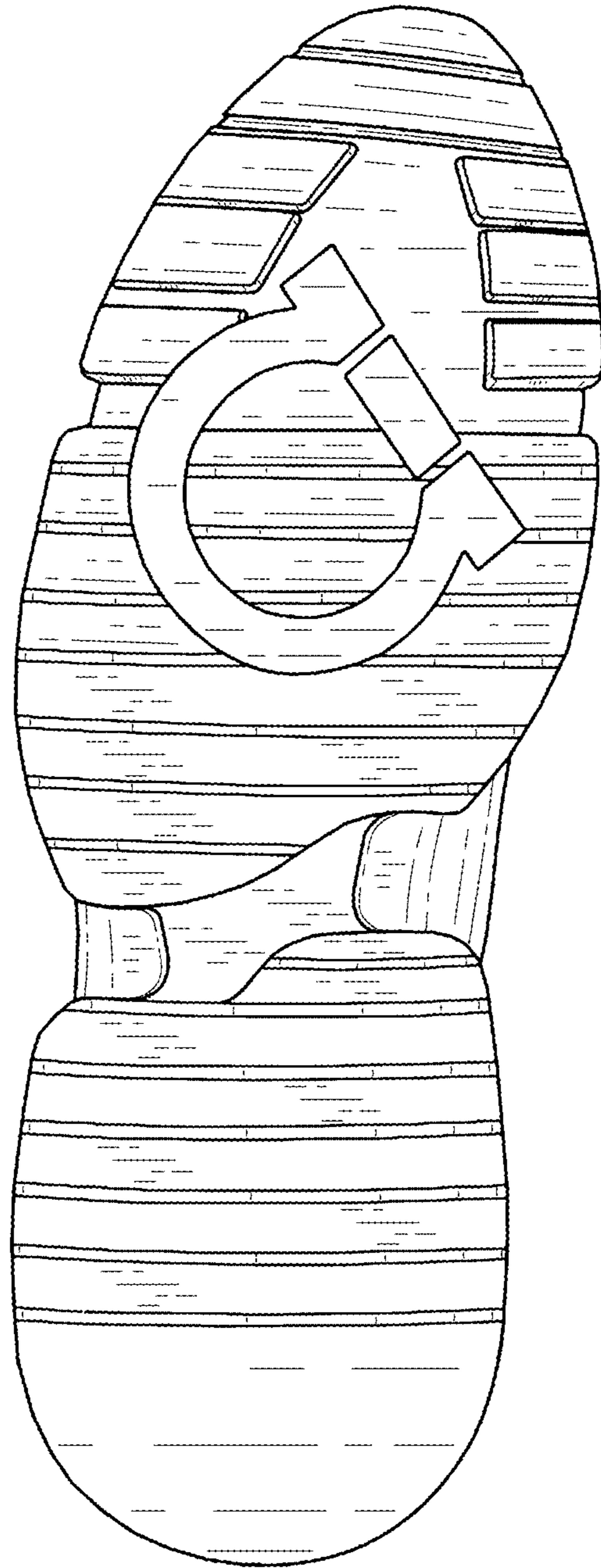
2.3



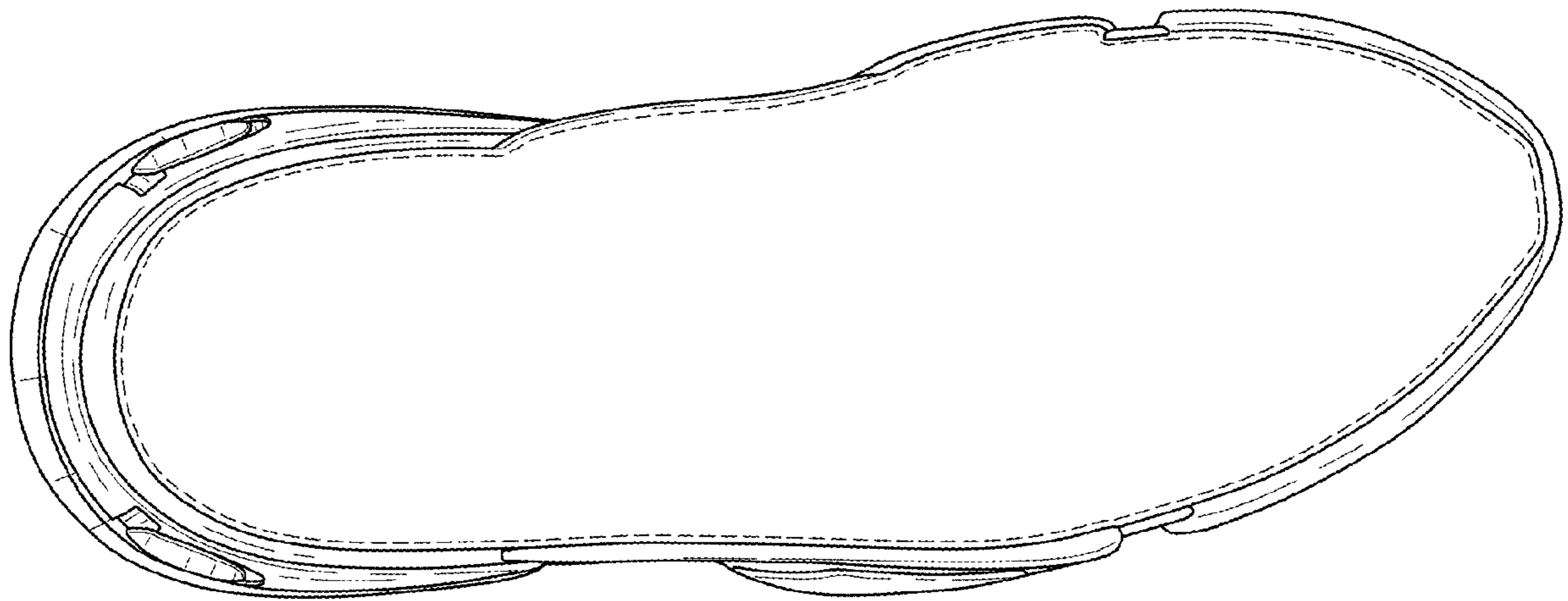
2.4



2.5



2.6



2.7