



US00D937542S

(12) **United States Design Patent**
Whyte

(10) **Patent No.:** **US D937,542 S**
(45) **Date of Patent:** **** Dec. 7, 2021**

- (54) **ARM CELEBRATION INSTRUMENT**
- (71) Applicant: **Camilo Arturo Whyte**, Clermont, FL (US)
- (72) Inventor: **Camilo Arturo Whyte**, Clermont, FL (US)
- (73) Assignee: **Camilo Arturo Whyte**, Clermont, FL (US)
- (**) Term: **15 Years**
- (21) Appl. No.: **29/679,181**
- (22) Filed: **Feb. 2, 2019**

Related U.S. Application Data

- (63) Continuation-in-part of application No. 16/103,716, filed on Aug. 14, 2018, now Pat. No. 10,653,195, which is a continuation of application No. 15/013,801, filed on Feb. 2, 2016, now Pat. No. 10,045,575.
- (51) **LOC (13) Cl.** **02-02**
- (52) **U.S. Cl.**
USPC **D2/858**
- (58) **Field of Classification Search**
USPC D2/717, 858, 610; D20/10
CPC A41D 19/00
See application file for complete search history.

(56) **References Cited**

U.S. PATENT DOCUMENTS

- D45,010 S * 12/1913 Lanier D2/739
- 1,670,176 A * 5/1928 Woolery G08B 5/02
116/35 R
- 2,223,029 A * 11/1940 Dunton A41D 19/0024
2/160
- 2,534,313 A * 12/1950 Starkey G08B 5/02
116/200

- 3,786,526 A * 1/1974 Ausseil A63B 31/08
441/59
- 5,010,589 A * 4/1991 Hamilton A41D 13/00
2/1
- 5,234,725 A * 8/1993 Smith A41D 27/08
2/162
- D393,138 S * 4/1998 Frey D2/610
- 5,819,315 A * 10/1998 Ruffa A41D 31/18
2/69

(Continued)

FOREIGN PATENT DOCUMENTS

CA 2643967 * 5/2009

OTHER PUBLICATIONS

France Arm and Leg Flag by Arm Wave, posted to armwave.com. Available date: May 6, 2018 [site visited Dec. 4, 2020] Available: <<https://www.armwave.com/products/france-arm-flag>> (Year: 2018).*

(Continued)

Primary Examiner — Kevin K Rudzinski

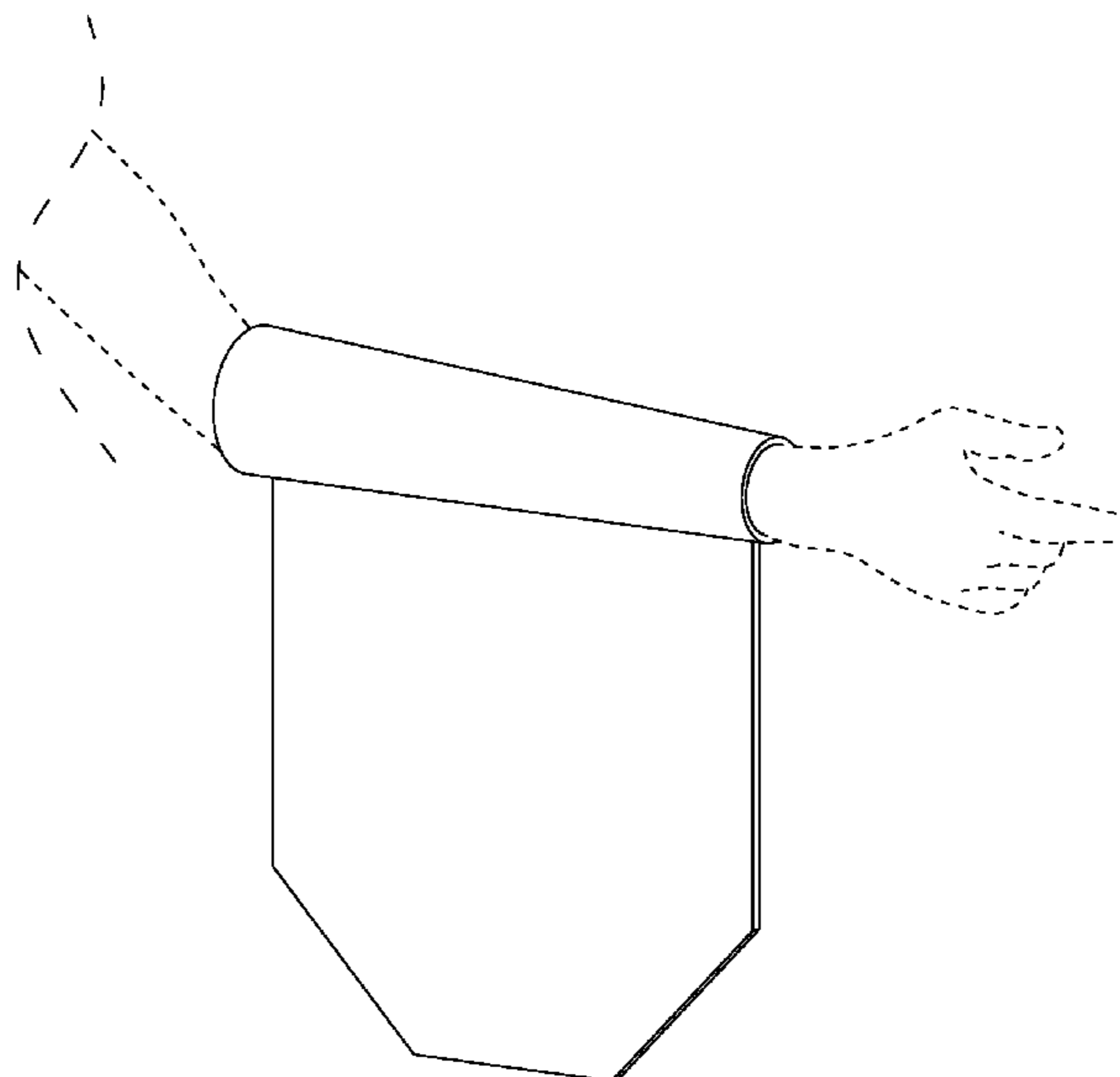
(57) **CLAIM**

The ornamental design for an arm celebration instrument, as shown and described.

DESCRIPTION

FIG. 1 is an Upper Right Perspective view of an arm celebration instrument, on an arm, showing my new design; FIG. 2 is a Right Side Elevation view thereof; FIG. 3 is a Left Side Elevation view thereof; FIG. 4 is a Front Elevation view thereof; FIG. 5 is a Rear Elevation view thereof; FIG. 6 is a Top Plan view thereof; and, FIG. 7 is a Bottom Plan view thereof. The broken lines shown in FIG. 1 illustrating a hand and an arm is included to show environment and form no part of the claimed design.

1 Claim, 5 Drawing Sheets



(56)

References Cited

U.S. PATENT DOCUMENTS

D422,397 S * 4/2000 Cohen D2/858
 6,315,700 B1 * 11/2001 Shifferaw A63B 21/0088
 441/55
 6,405,381 B1 * 6/2002 Bowman, Jr. A41D 19/0051
 2/159
 D515,745 S * 2/2006 Leyva D29/120.1
 7,131,156 B1 * 11/2006 Walker-Craft A47G 9/1045
 5/655
 7,251,838 B1 * 8/2007 Rumbaugh A41D 19/0024
 2/159
 D560,041 S * 1/2008 Cook D29/120.1
 D570,246 S * 6/2008 Spicer D11/166
 7,520,074 B1 * 4/2009 Vanova G09F 21/02
 116/173
 D607,183 S * 1/2010 Stumpfl D2/858
 D618,433 S * 6/2010 Gray D2/717
 D626,717 S * 11/2010 Bengyak D2/613
 D634,899 S * 3/2011 Myers D29/120.1
 D659,348 S * 5/2012 Selle D2/610
 8,191,172 B2 * 6/2012 Polanish A41D 31/18
 2/59

D666,244 S * 8/2012 Morris D20/10
 D668,989 S * 10/2012 Wilson D11/165
 D672,937 S * 12/2012 Rivera D2/840
 D745,292 S * 12/2015 Thomas D6/579
 9,371,118 B2 * 6/2016 King A41D 20/00
 D774,280 S * 12/2016 Hakeem D2/731
 D811,695 S * 3/2018 Mangnall-Schwarz D2/823
 10,045,575 B2 * 8/2018 Whyte A41D 27/10
 10,117,471 B2 * 11/2018 Nam A41D 19/01
 10,477,906 B2 * 11/2019 Mangnall-Schwarz
 A41D 3/08
 2009/0298378 A1 * 12/2009 Segal A63J 7/005
 446/26

OTHER PUBLICATIONS

White Pennant Templates Vector Set With Empty Space for Branding by ManonLabe, posted to istockphoto.com. Available date: Aug. 26, 2018 [site visited Sep. 28, 2021] Available: <<https://www.istockphoto.com/vector/white-pennant-templates-vector-set-with-empty-space-for-branding-square-and-gm1025967622-275175749>> (Year: 2018).*

* cited by examiner

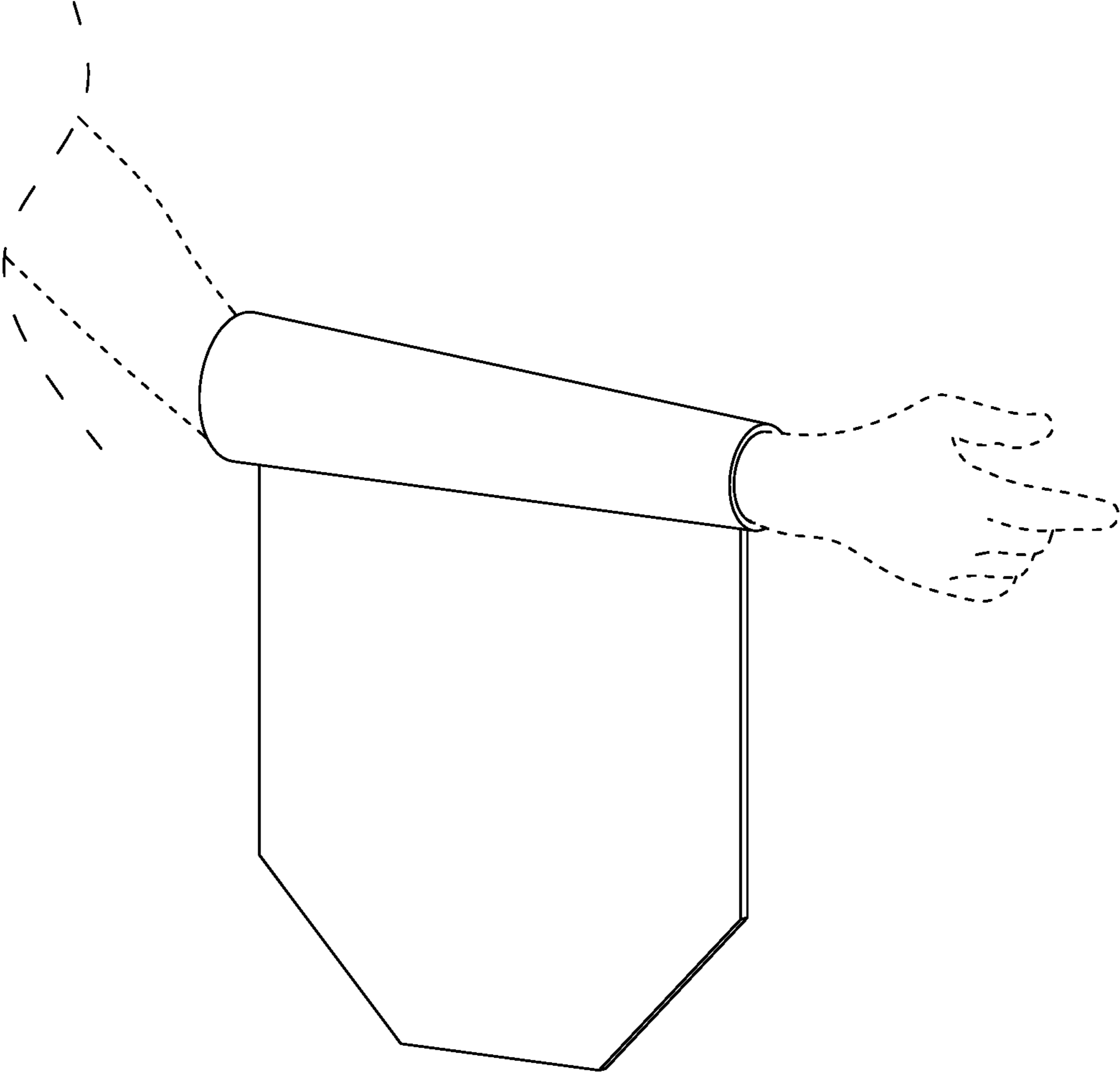


FIG. 1

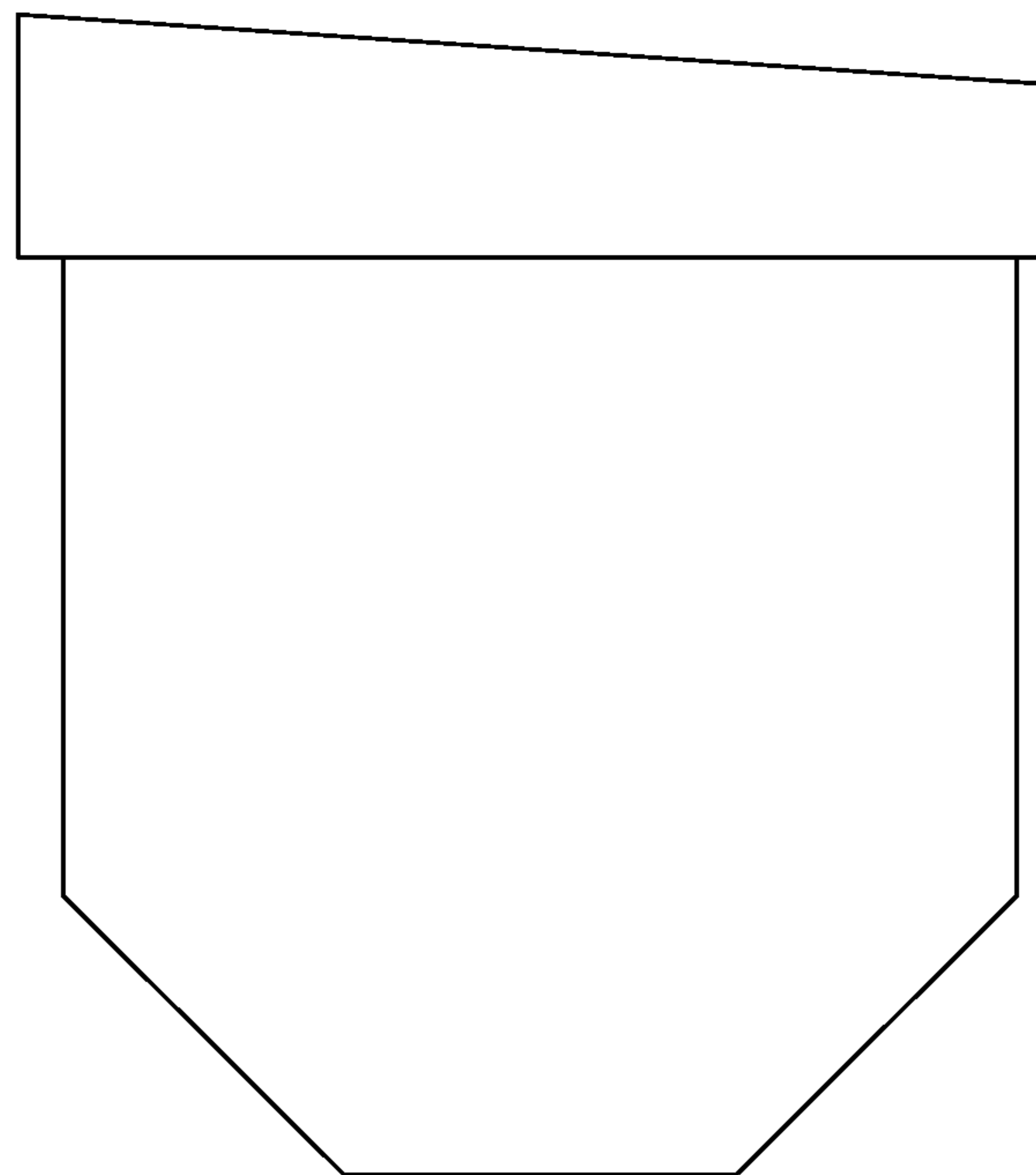


FIG. 2

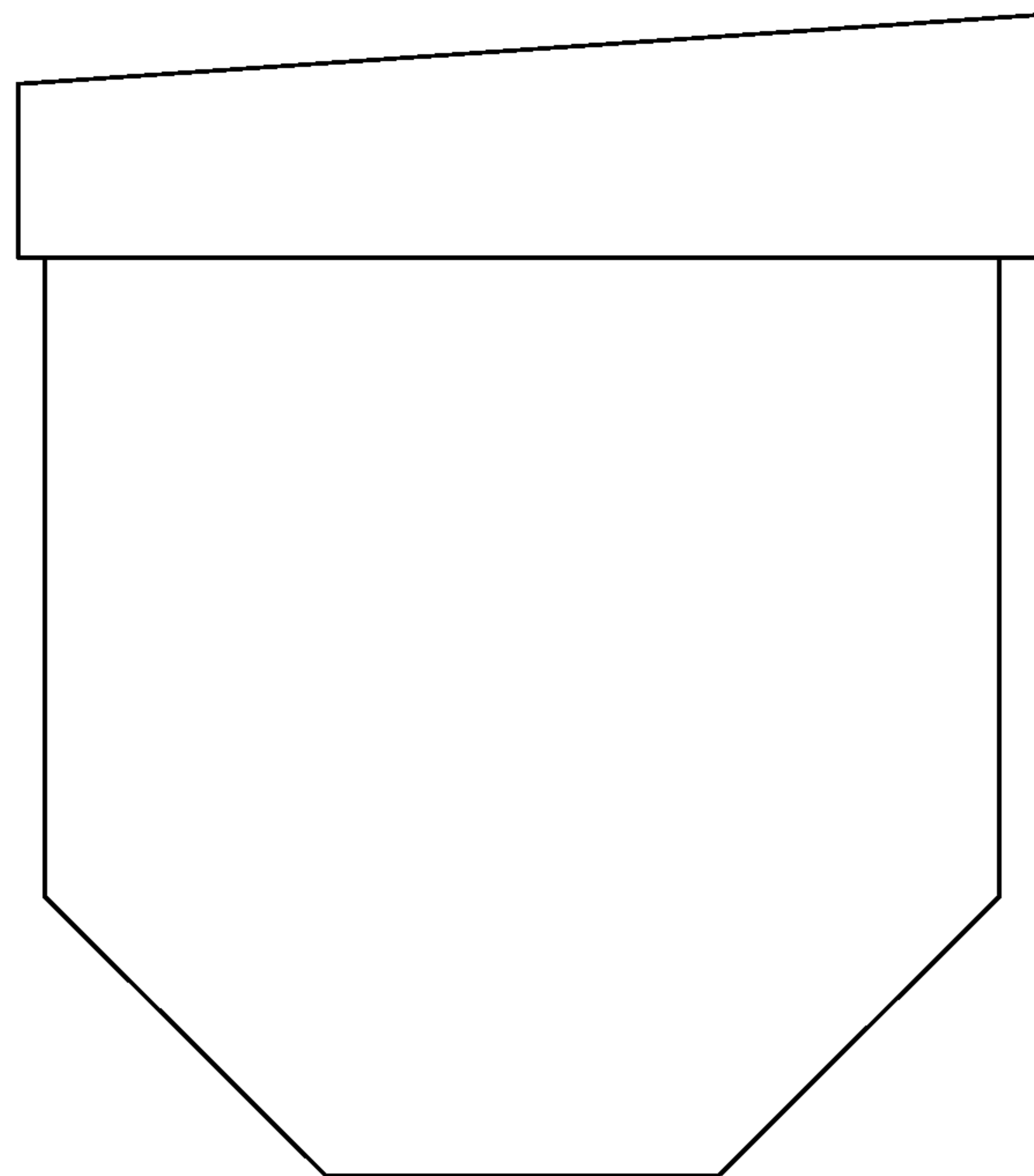


FIG. 3

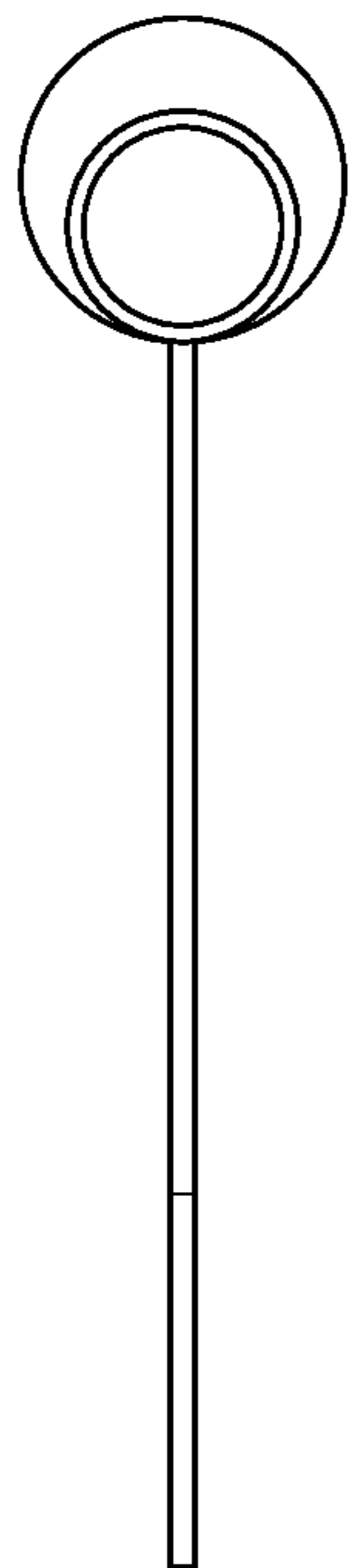


FIG. 4

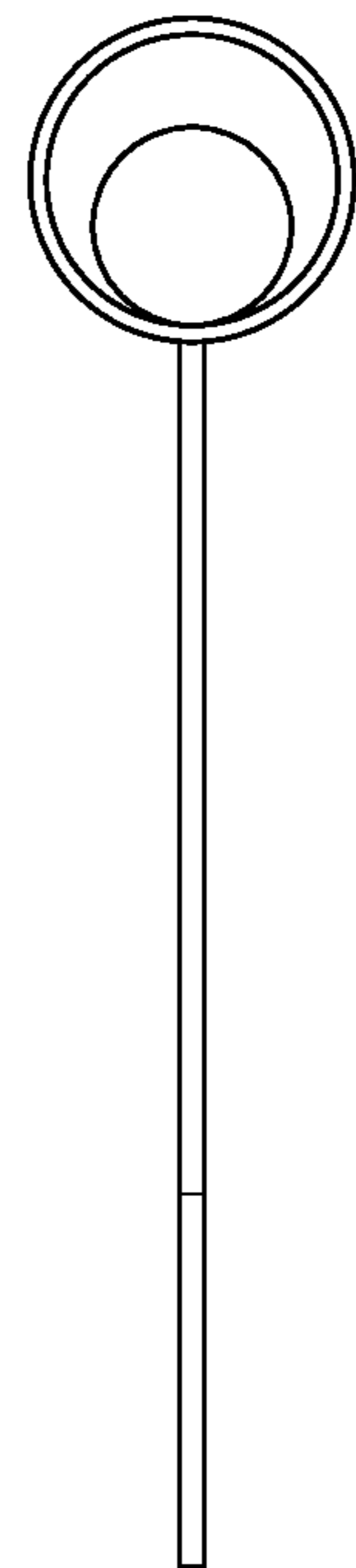


FIG. 5

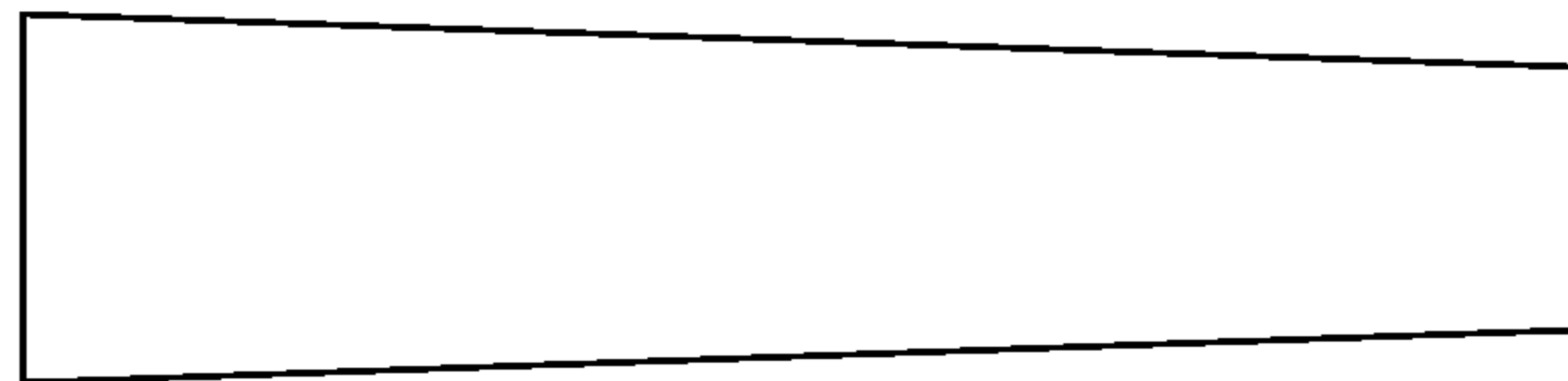


FIG. 6

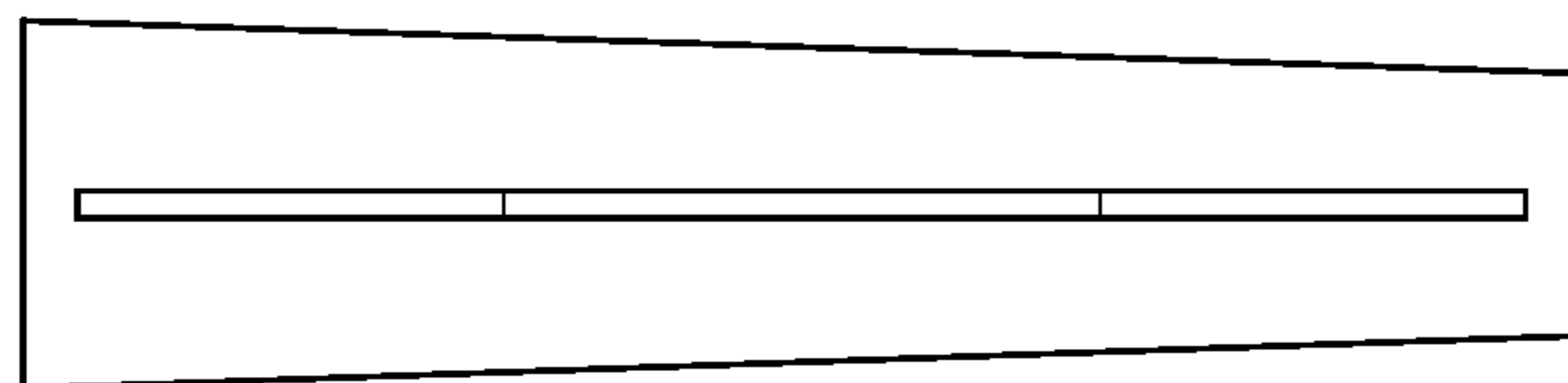


FIG. 7