



US00D937539S

(12) **United States Design Patent** (10) **Patent No.:** **US D937,539 S**  
**Sawtelle et al.** (45) **Date of Patent:** **\*\* Dec. 7, 2021**

(54) **WEARABLE TOWEL** 5,720,043 A \* 2/1998 White, Sr. .... A41D 7/008  
2/69  
(71) Applicants: **Traci Sawtelle**, Gambrills, MD (US); D402,087 S \* 12/1998 Scherich ..... D2/861  
**Tisha Troyer**, Crofton, MD (US) 6,338,164 B1 \* 1/2002 Howard ..... A41D 13/015  
2/23  
(72) Inventors: **Traci Sawtelle**, Gambrills, MD (US); D456,117 S \* 4/2002 Henning, Jr. .... D2/860  
**Tisha Troyer**, Crofton, MD (US) (Continued)

(\*\*) Term: **15 Years**

(21) Appl. No.: **29/724,624**

(22) Filed: **Feb. 18, 2020**

(51) **LOC (13) Cl.** ..... **02-02**

(52) **U.S. Cl.**  
USPC ..... **D2/724**

(58) **Field of Classification Search**  
USPC ..... D2/826, 724, 743, 864, 861  
CPC ..... A41D 13/00; A41D 13/04  
See application file for complete search history.

(56) **References Cited**

U.S. PATENT DOCUMENTS

779,809 A \* 1/1905 Sherick ..... A41D 11/00  
2/75  
1,225,254 A \* 5/1917 Kaplan ..... A41D 13/02  
2/79  
1,424,013 A \* 7/1922 Hale ..... A41D 13/04  
2/48  
D156,400 S \* 12/1949 Beatty ..... D2/743  
2,586,961 A \* 2/1952 Klein ..... A41B 13/06  
128/872  
4,266,299 A \* 5/1981 Beal ..... A41D 13/04  
2/46  
D274,670 S \* 7/1984 Smith ..... D2/743  
D305,700 S \* 1/1990 Werner ..... D2/829  
5,095,544 A \* 3/1992 Elverskog ..... A41D 13/0543  
2/2.5  
5,271,100 A \* 12/1993 Holt ..... A41D 13/1209  
2/114  
D348,143 S \* 6/1994 Mosquera ..... D2/743  
D351,712 S \* 10/1994 Jackson ..... D2/720  
5,664,258 A \* 9/1997 Harris ..... A41D 3/08  
2/69

FOREIGN PATENT DOCUMENTS

CN 210184562 \* 3/2020  
JP 3181049 \* 12/2012

OTHER PUBLICATIONS

Kozybaby Bath Towel Apron posted to amazon.com. Available Date: May 26, 2014 [site visited Aug. 13, 2021] Available: <<https://www.amazon.in/Kozybaby-Bath-Towel-Apron/dp/B00BJB3BA0>> (Year: 2014).\*

(Continued)

*Primary Examiner* — Kevin K Rudzinski  
(74) *Attorney, Agent, or Firm* — Cramer Patent & Design, PLLC; Aaron R. Cramer

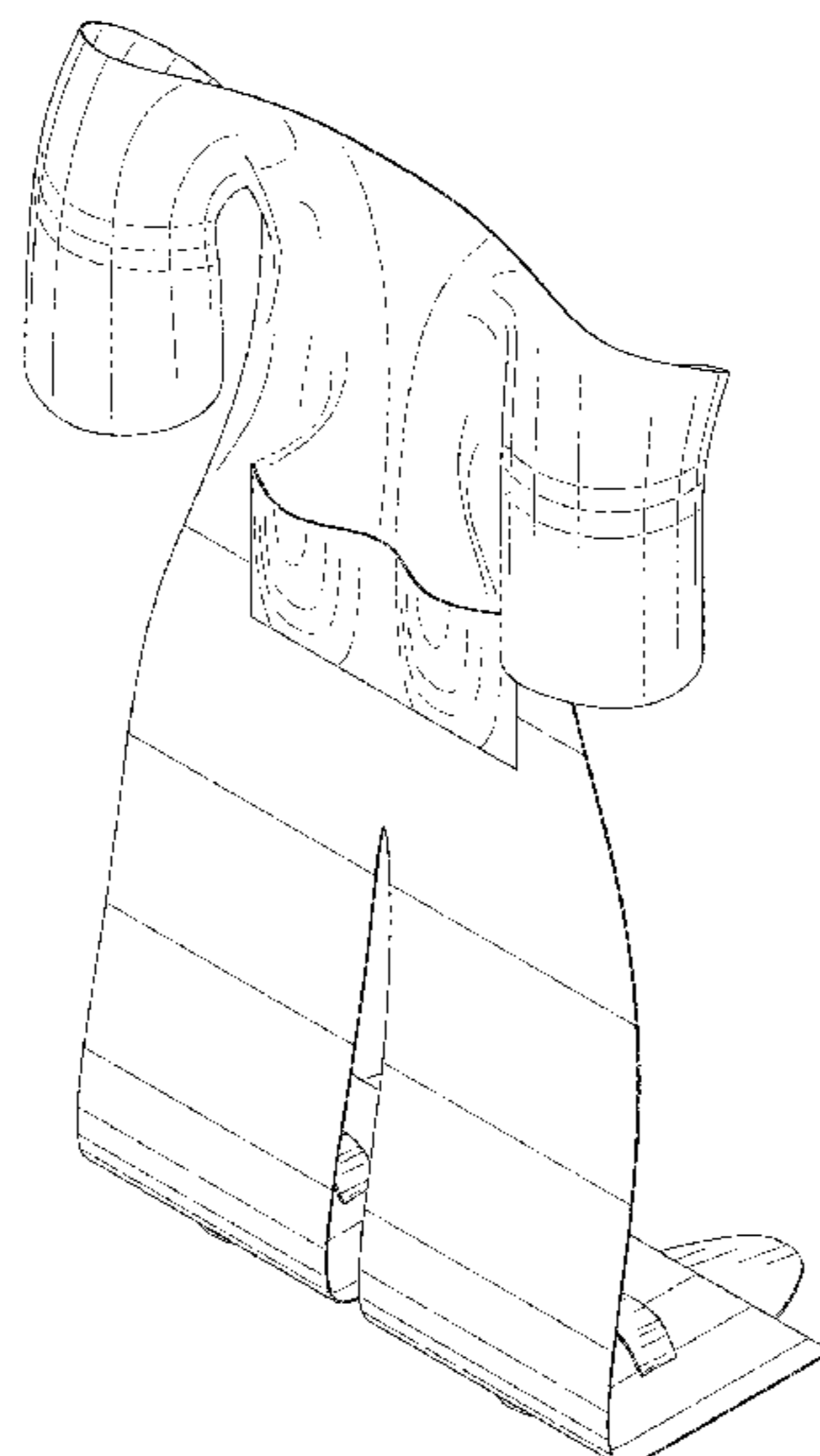
(57) **CLAIM**

The ornamental design for a wearable towel, as shown and described.

**DESCRIPTION**

FIG. 1 is a perspective top front right view of a wearable towel, showing our new design;  
FIG. 2 is a perspective top rear left view thereof;  
FIG. 3 is a front elevation view thereof;  
FIG. 4 is a rear elevation view thereof;  
FIG. 5 is a right elevation view thereof;  
FIG. 6 is a left elevation view thereof;  
FIG. 7 is a top plan view thereof; and,  
FIG. 8 is a bottom plan view thereof.

**1 Claim, 6 Drawing Sheets**



(56)

References Cited

U.S. PATENT DOCUMENTS

7,178,185 B1 \* 2/2007 Nattler ..... A41D 15/04  
2/84  
7,540,035 B1 \* 6/2009 Bloom ..... A47D 13/02  
2/48  
D605,378 S \* 12/2009 Mitchell ..... D2/864  
D638,611 S \* 5/2011 Benderradji ..... D2/823  
D674,167 S 1/2013 Ehler  
8,365,325 B2 \* 2/2013 Schneider ..... A47G 9/068  
5/494  
8,578,515 B1 \* 11/2013 Petersen ..... A41D 11/00  
2/69.5  
D721,467 S \* 1/2015 Tref ..... D2/724  
D738,593 S 9/2015 Parker  
D742,098 S 11/2015 Pham  
9,259,041 B1 \* 2/2016 Purcaro ..... A45F 3/04  
9,380,815 B2 \* 7/2016 Toro-Gerstein ..... A41D 1/215  
D803,519 S \* 11/2017 Hedin ..... D2/724  
D833,111 S \* 11/2018 Coates ..... D2/724  
D840,108 S \* 2/2019 Clark ..... D29/100  
10,362,908 B1 7/2019 Quinn  
D869,127 S \* 12/2019 Zakusilo ..... D2/861  
D894,532 S \* 9/2020 Ngan ..... D2/719  
D903,986 S \* 12/2020 Cannon ..... D2/864  
D906,637 S \* 1/2021 Bartsch ..... D2/861  
D923,916 S \* 7/2021 Warren, Jr. .... D2/743  
2006/0010555 A1 \* 1/2006 Hayes ..... A41D 13/0015  
2/69  
2006/0090237 A1 \* 5/2006 Dabney ..... A41D 13/04  
2/48  
2007/0204375 A1 \* 9/2007 Issel ..... A41D 7/008  
2/69

2009/0106873 A1 \* 4/2009 Whiteside ..... A47K 10/02  
2/69  
2011/0010816 A1 \* 1/2011 Johnson ..... A41D 1/215  
2/48  
2016/0066628 A1 \* 3/2016 Shakes ..... A41D 13/04  
2/48

OTHER PUBLICATIONS

Red Castle Apron Bath Towel posted to amazon.com. Available date: Dec. 9, 2011 [site visited Aug. 13, 2021] Available: <<https://www.amazon.co.uk/Red-Castle-Apron-Towel-Months/dp/B005ZU9NAS>> (Year: 2011).\*

Surf Poncho Changing Towel Robe by Catalonia, posted to amazon.com. Available date: Apr. 17, 2018 [site visited Aug. 13, 2021] Available: <<https://www.amazon.com/dp/B07C83BB1Z?tag=wearableworldlab-20&linkCode=ogi&th=1&psc=1>> (Year: 2018).\*

Mermaid Tail Towel Swimsuit Cover Beach Pool Wrap—WAVERLY Sewing Pattern PDF #306. Product Listing [online]. © 2020 Etsy, Inc. [retrieved on Oct. 11, 2019]. Retrieved from the Internet: <URL: <https://www.etsy.com/listing/399628431/mermaid-tail-towel-swimsuit-cover-beach>>.

As Seen on TV Snuggie Beach Towel with Sleeves. Product Listing [online]. © Copyright 2020, Overstock.com, Inc. [retrieved on Oct. 11, 2019]. Retrieved from the Internet: <URL: <https://www.overstock.com/Bedding-Bath/As-Seen-on-TV-Snuggie-Beach-Towel-with-Sleeves/9610654/product.html>>.

Blanket w/ Sleeves vs. Towel w/ Arm Openings. Product Listing [online]. © Copyright 1997-2015, Vocus PRW Holdings, LLC [published on May 26, 2009; retrieved on Oct. 11, 2019]. Retrieved from the Internet: <URL: <http://www.prweb.com/releases/2009/05/prweb2403954.htm>>.

\* cited by examiner

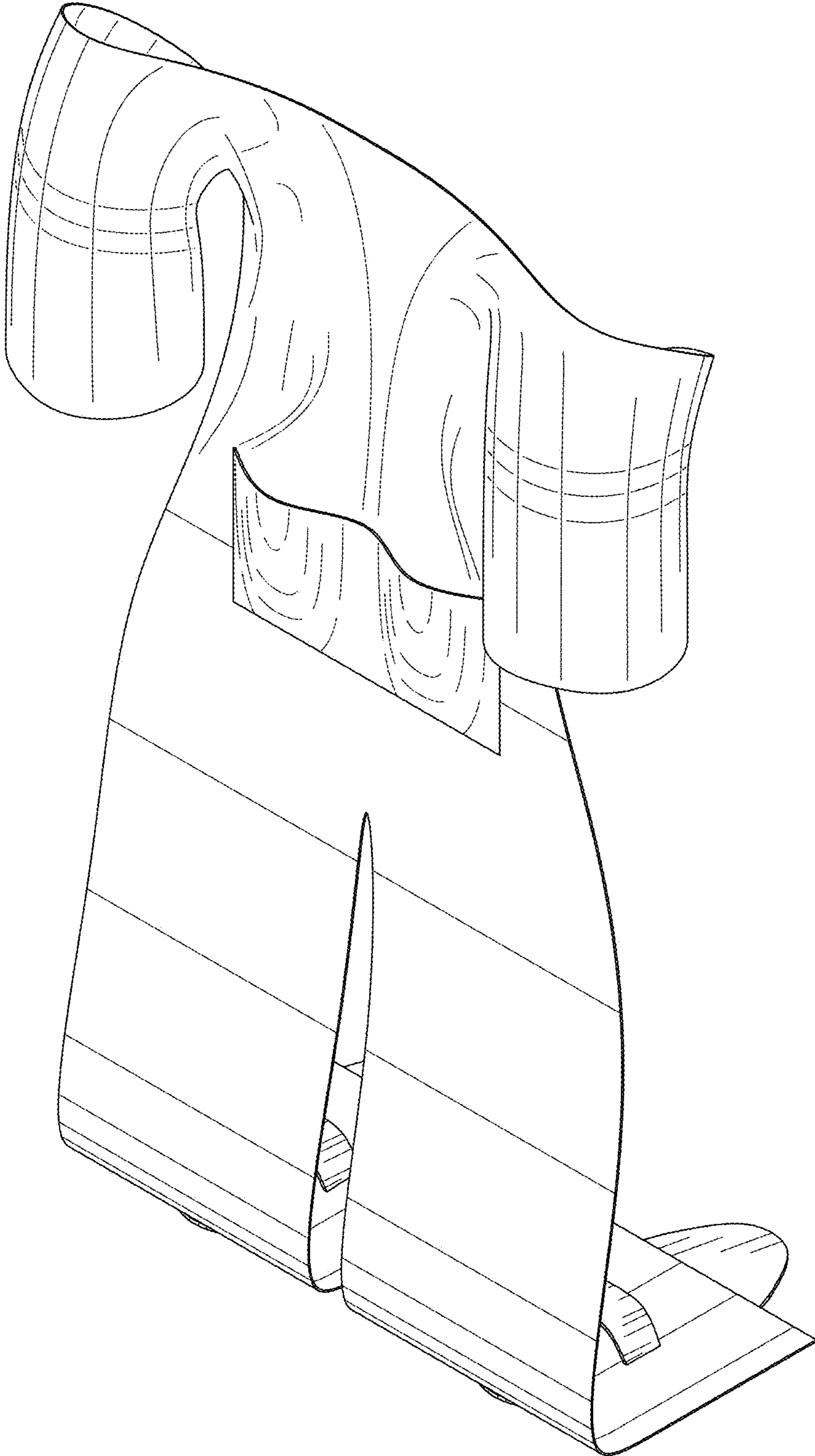


FIG. 1



FIG. 2

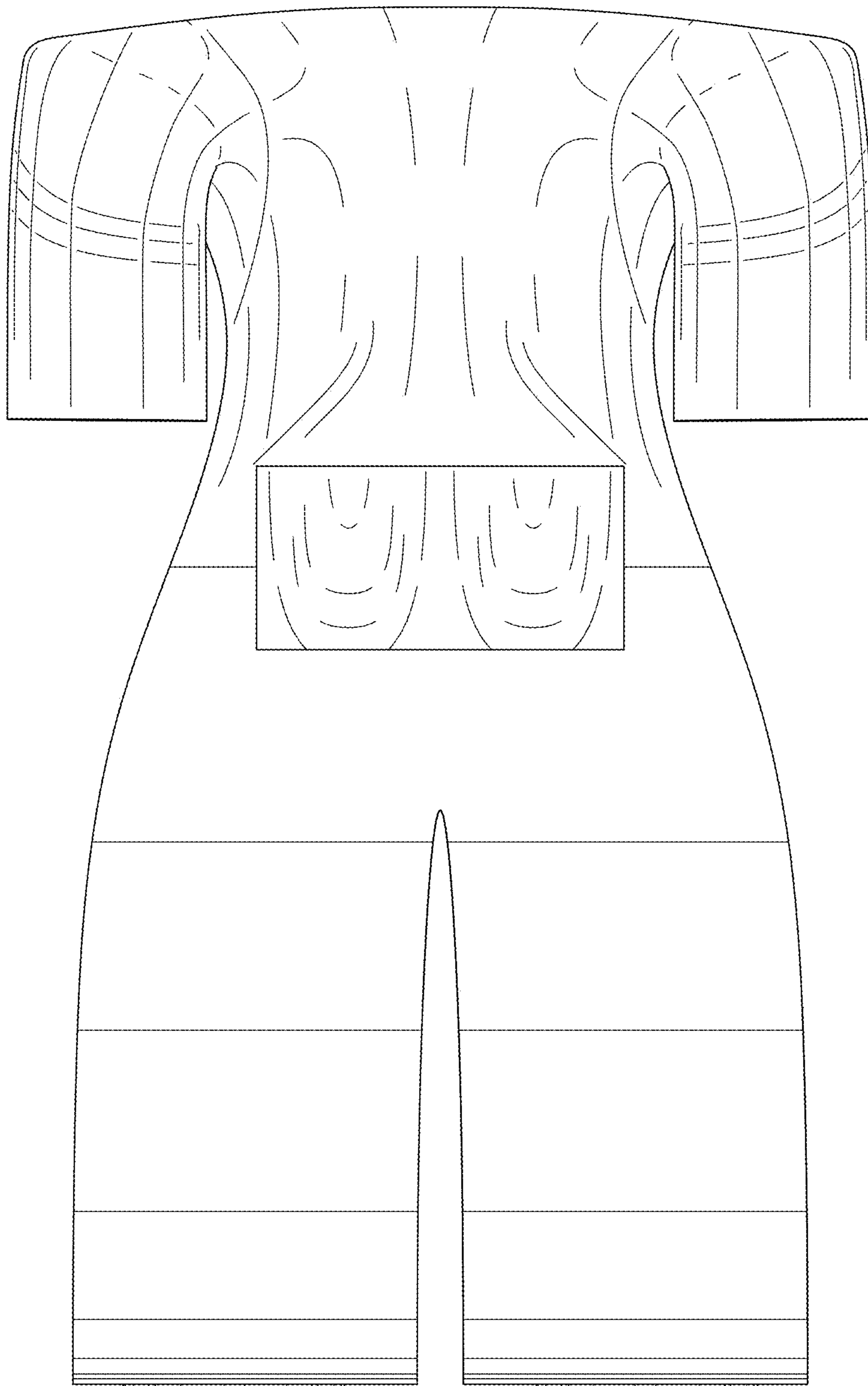


FIG. 3

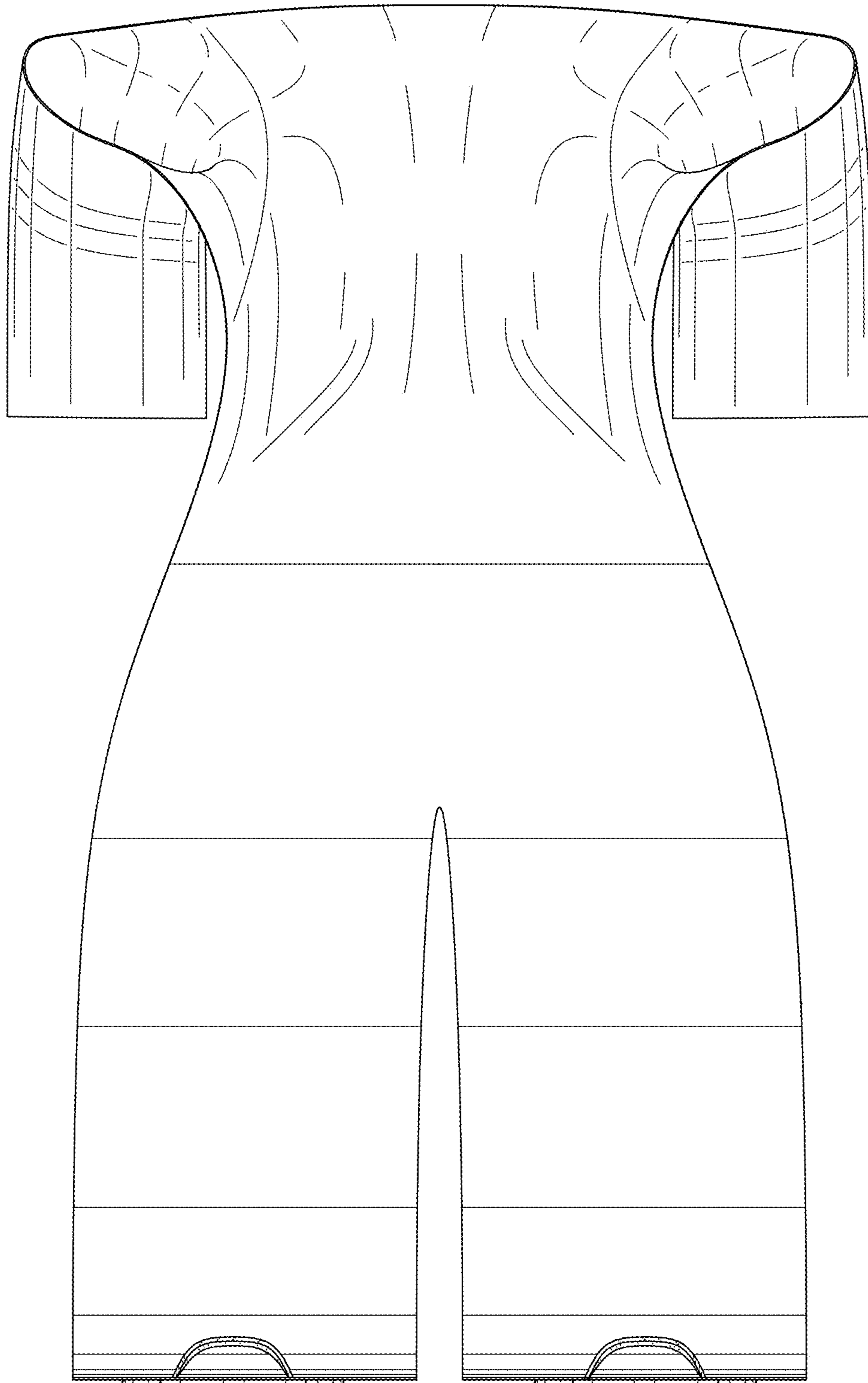


FIG. 4

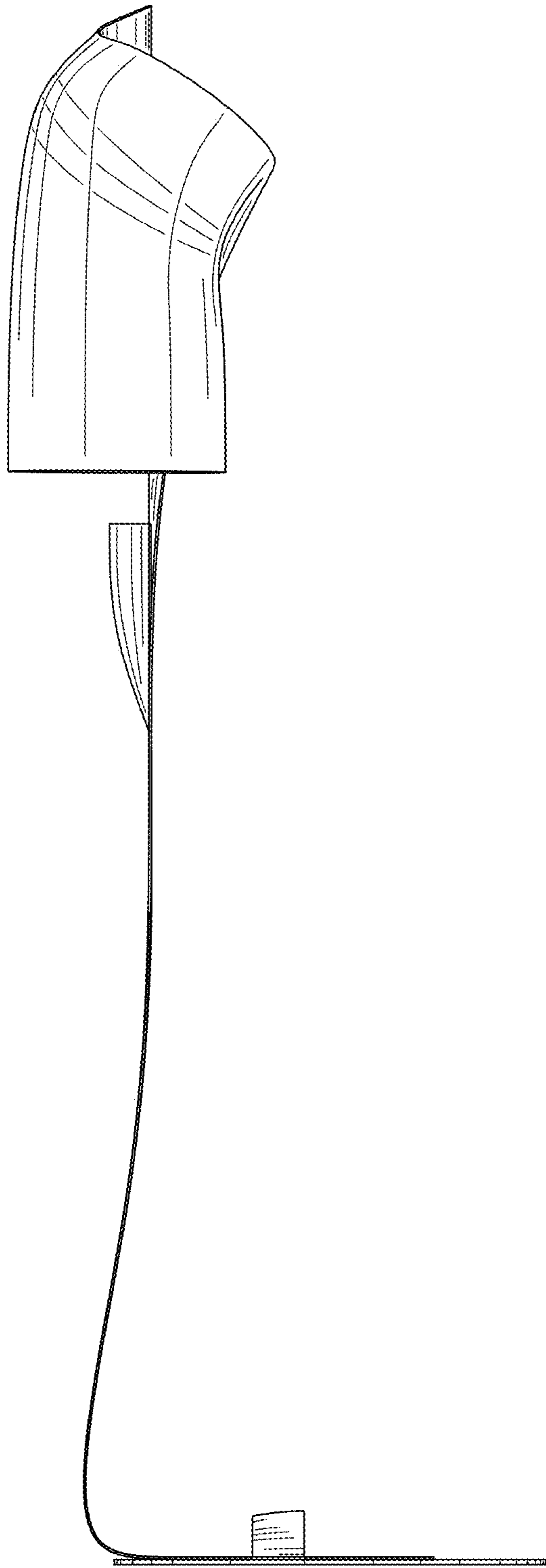


FIG. 5

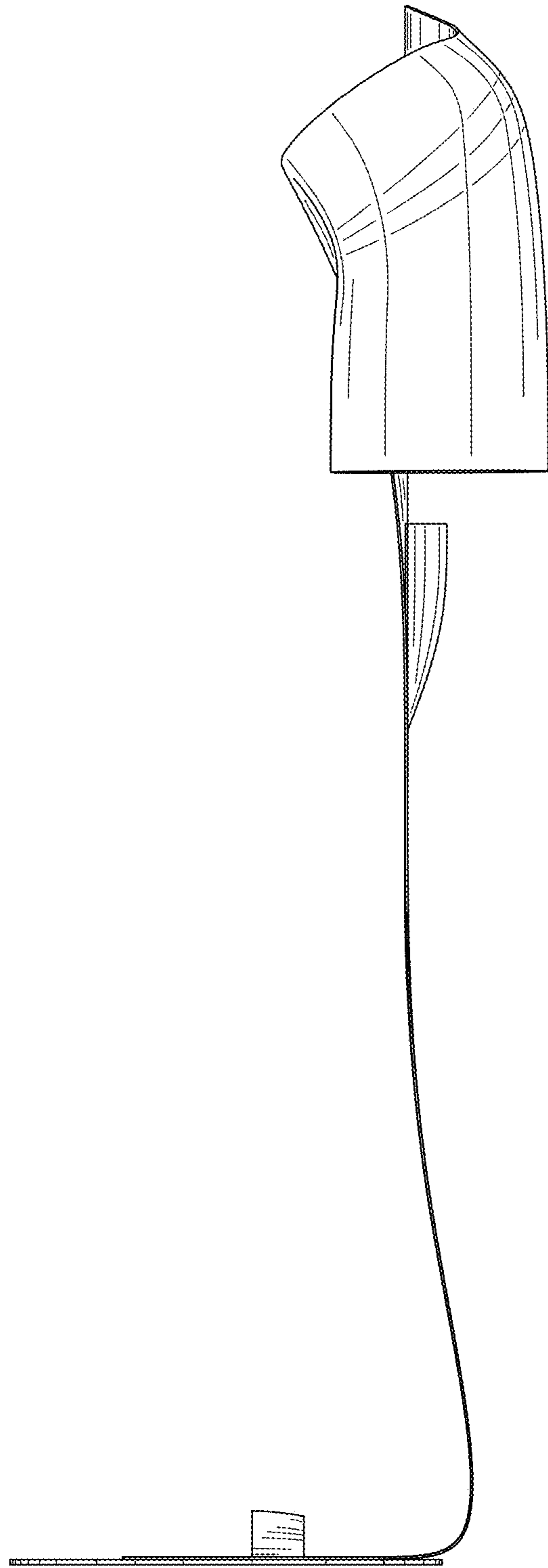


FIG. 6

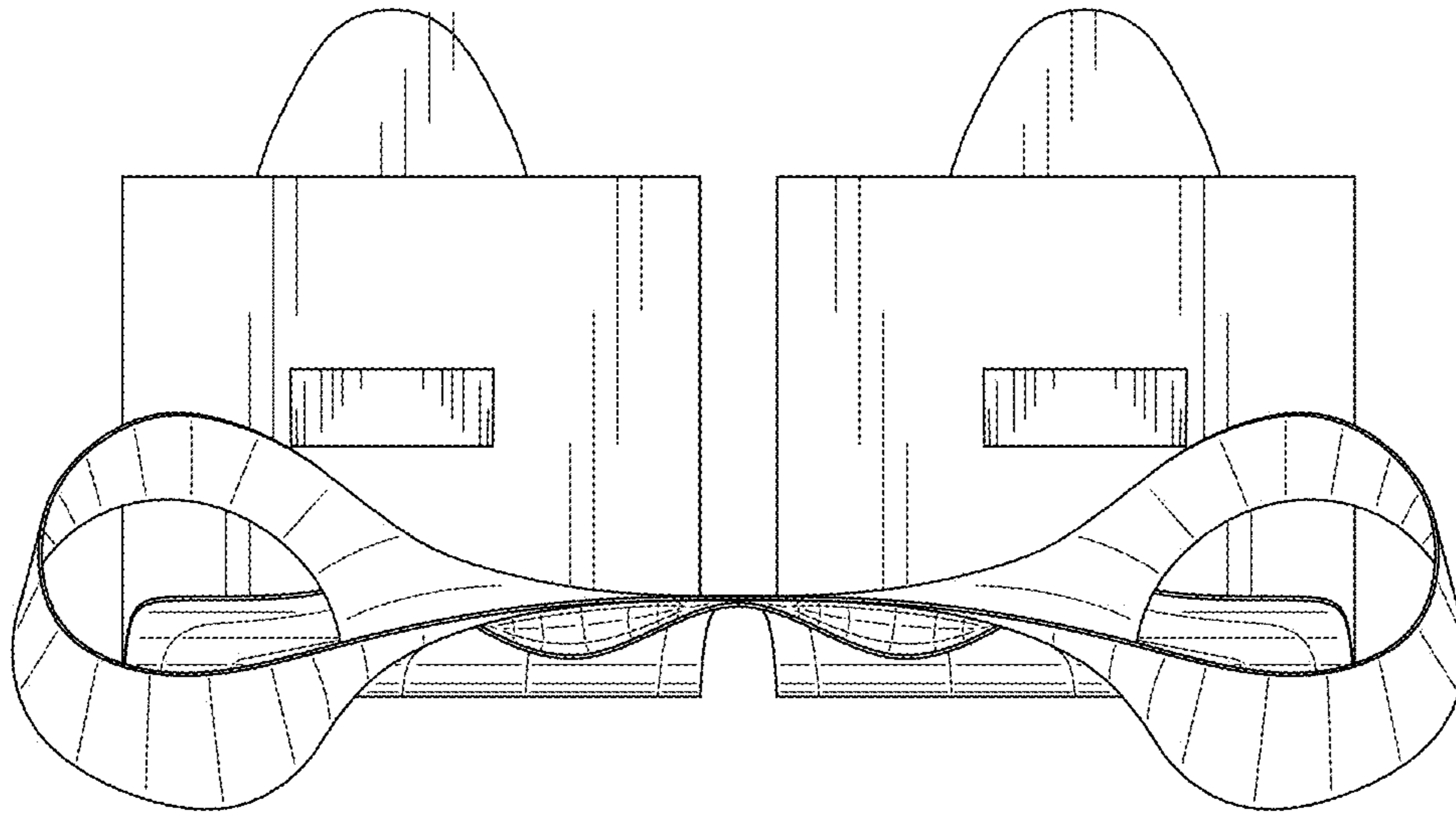


FIG. 7

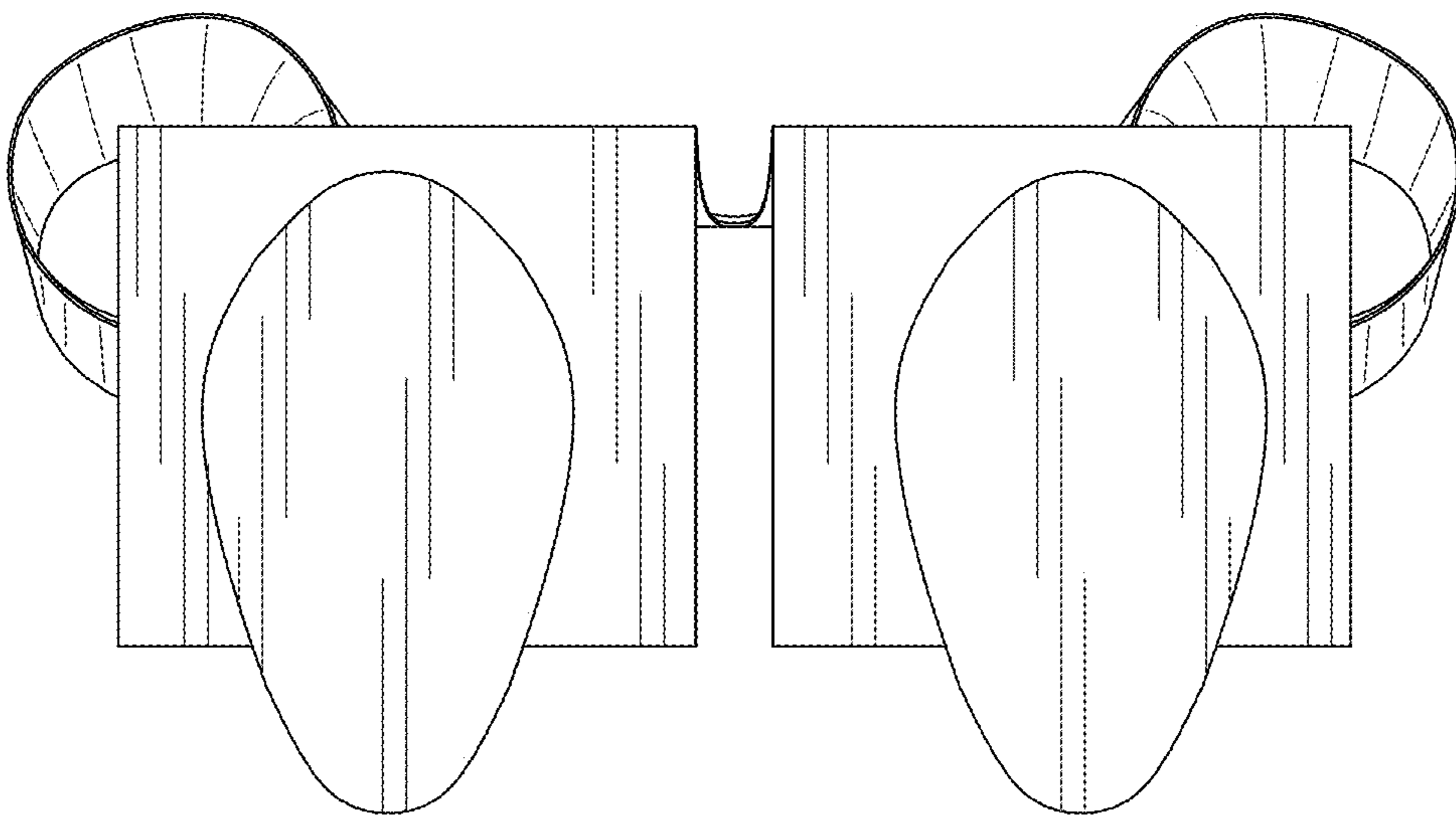


FIG. 8