



US00D937529S

(12) **United States Design Patent** (10) **Patent No.:** **US D937,529 S**  
**Lu** (45) **Date of Patent:** **\*\* Nov. 30, 2021**

(54) **ADJUSTABLE STABILIZER**  
(71) Applicant: **Changyuan Lu, Huaiji (TW)**  
(72) Inventor: **Changyuan Lu, Huaiji (TW)**  
(\*\*) Term: **15 Years**  
(21) Appl. No.: **29/747,018**  
(22) Filed: **Aug. 19, 2020**  
(51) **LOC (13) Cl.** ..... **12-05**  
(52) **U.S. Cl.**  
USPC ..... **D34/31**  
(58) **Field of Classification Search**  
USPC ..... D34/31; D12/55; 248/352, 165, 174  
CPC .. B66F 3/08; B66F 3/00; F16M 11/00; F16M  
2200/00; F16M 2200/021; F16M 2200/08  
See application file for complete search history.

D362,448 S \* 9/1995 Landsberg ..... D15/21  
D364,259 S \* 11/1995 Garceau ..... D34/31  
D384,482 S \* 9/1997 Thole ..... D12/106  
6,062,524 A \* 5/2000 Jackson, Sr. .... B60D 1/66  
248/352  
D456,975 S \* 5/2002 Ji ..... D34/31  
D513,819 S \* 1/2006 Ji ..... D34/31  
9,527,482 B2 \* 12/2016 Wright ..... B66F 13/00  
D776,394 S \* 1/2017 Crump ..... D34/31  
10,288,213 B1 \* 5/2019 Harper ..... B65G 69/2876  
D871,974 S \* 1/2020 Downs ..... D12/106  
11,014,792 B2 \* 5/2021 MacDonald ..... B66F 3/08

\* cited by examiner

*Primary Examiner* — Mark A Goodwin  
(74) *Attorney, Agent, or Firm* — Rumit Ranjit Kanakia

(57) **CLAIM**

I claim the ornamental design for an adjustable stabilizer, as shown and described.

(56) **References Cited**

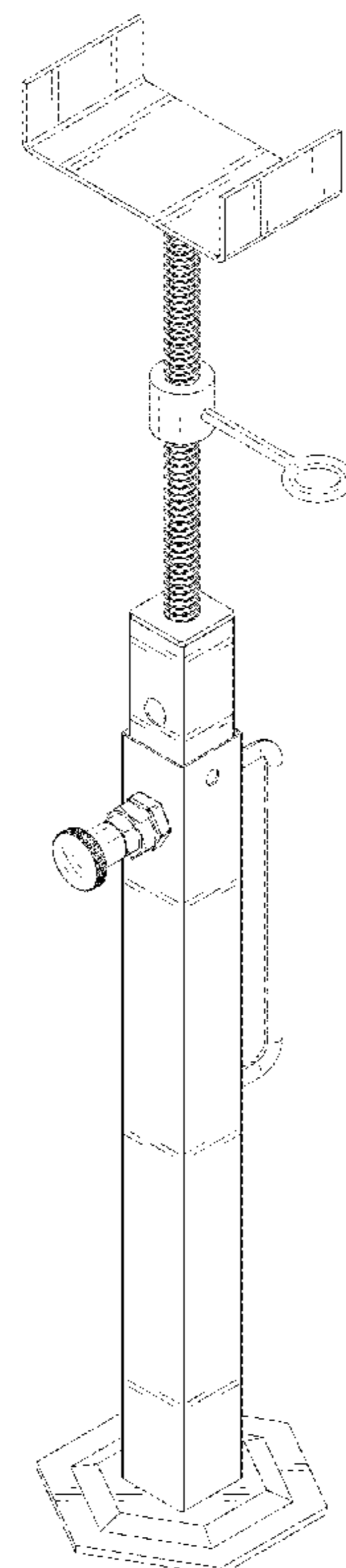
U.S. PATENT DOCUMENTS

3,313,505 A \* 4/1967 Petrie ..... B25H 1/00  
248/165  
D215,746 S \* 10/1969 Hunnicutt et al. .... D34/31  
D230,839 S \* 3/1974 Lemley ..... D34/31  
D252,324 S \* 7/1979 John ..... D34/31  
4,245,808 A \* 1/1981 John ..... B66F 3/08  
248/165  
4,690,361 A \* 9/1987 Lundman ..... F16M 11/046  
248/352  
D298,879 S \* 12/1988 Corbett ..... D12/106  
D349,120 S \* 7/1994 Landsberg ..... D15/21  
D349,801 S \* 8/1994 Few ..... D34/31

**DESCRIPTION**

FIG. 1 is a Perspective view of an adjustable stabilizer showing my new design;  
FIG. 2 is a Front view thereof;  
FIG. 3 is a Back view thereof;  
FIG. 4 is a Right-side view thereof;  
FIG. 5 is a Left-side view thereof;  
FIG. 6 is a Top view thereof; and,  
FIG. 7 is a Bottom view thereof.  
The broken lines are for the purpose of illustrating portions of the article that form no part of the claim.

**1 Claim, 6 Drawing Sheets**



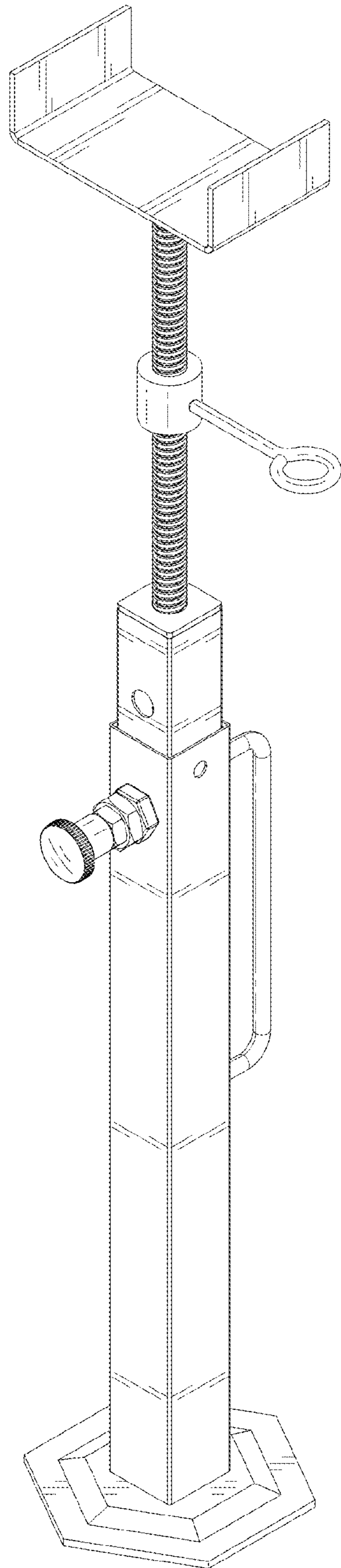


FIG. 1

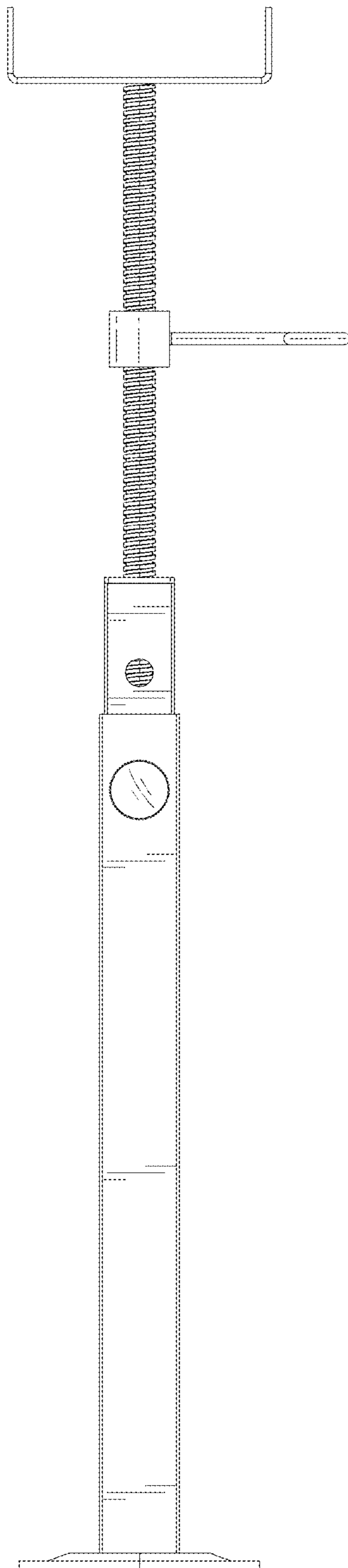


FIG. 2

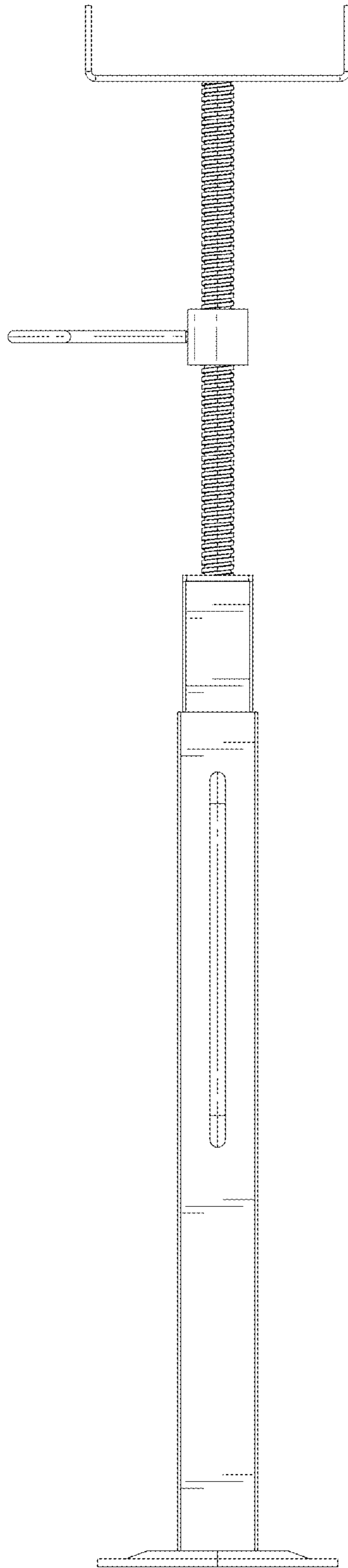


FIG. 3

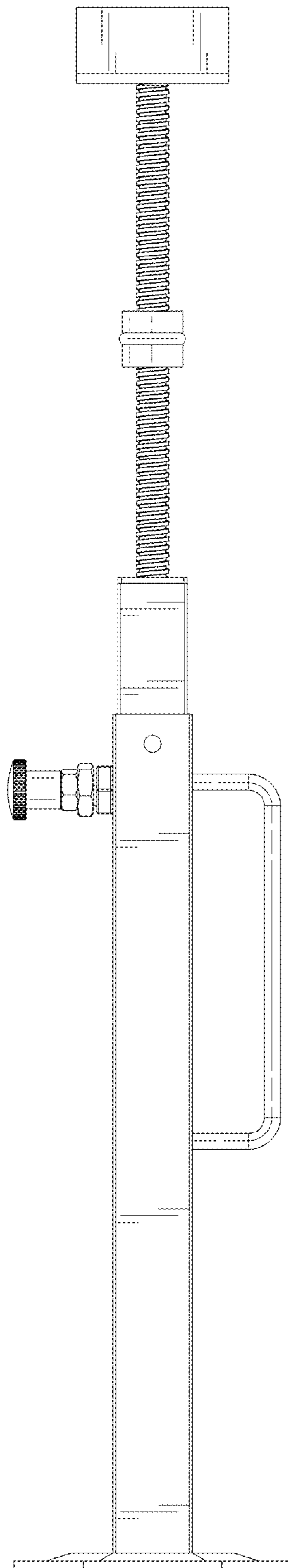


FIG. 4

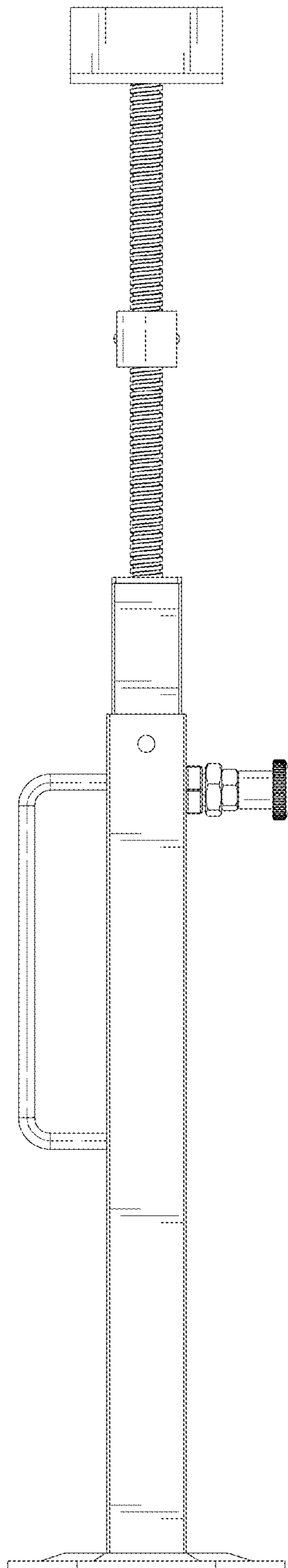


FIG. 5

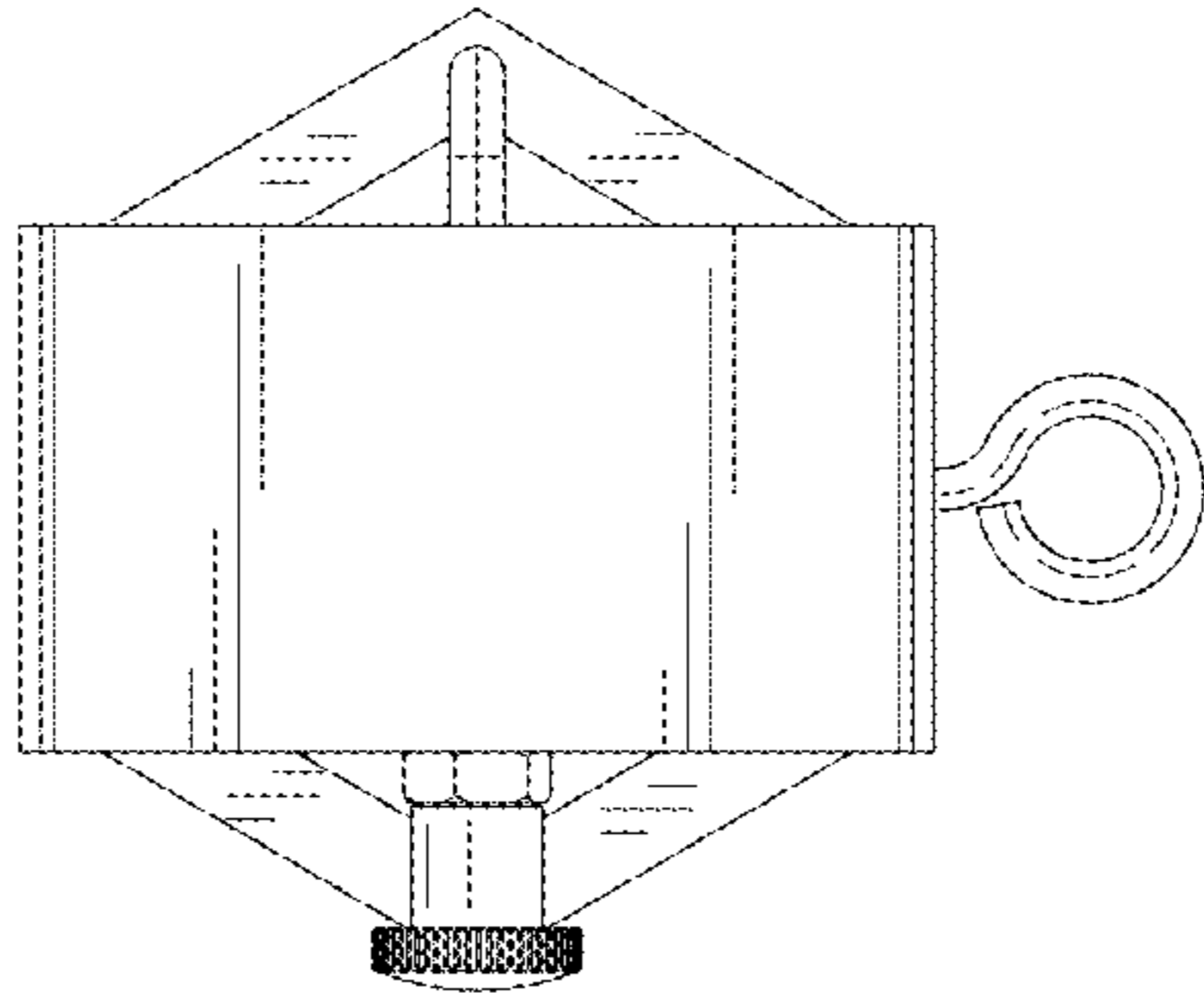


FIG. 6

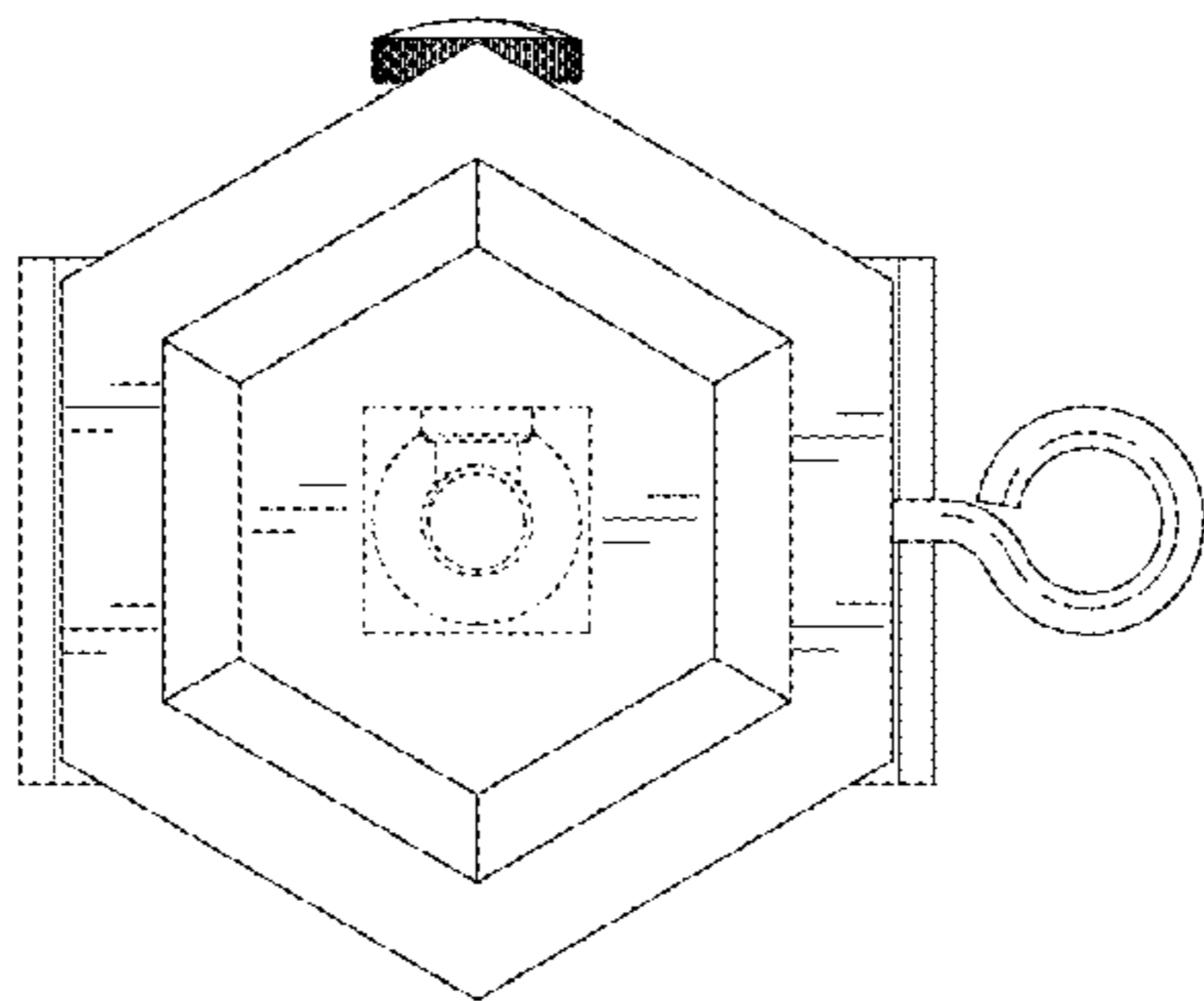


FIG. 7