



US00D937528S

(12) **United States Design Patent**
Zhou

(10) **Patent No.:** **US D937,528 S**

(45) **Date of Patent:** **** Nov. 30, 2021**

(54) **STORAGE CART**

(71) Applicant: **Fengyu Zhou, Yueyang (CN)**

(72) Inventor: **Fengyu Zhou, Yueyang (CN)**

(**) Term: **15 Years**

(21) Appl. No.: **29/768,359**

(22) Filed: **Jan. 28, 2021**

(51) **LOC (13) Cl.** **12-02**

(52) **U.S. Cl.**
USPC **D34/21**

(58) **Field of Classification Search**
USPC D34/12, 17, 20, 21
CPC B62B 1/186; B62B 1/125; B62B 1/262;
B62B 1/264; B62B 1/14; B62B 3/02;
B62B 3/06; B62B 3/10; B62B 3/14;
B62B 3/006; B62B 5/0438; B62B 1/12;
B62B 1/20

See application file for complete search history.

(56) **References Cited**

U.S. PATENT DOCUMENTS

4,763,799	A *	8/1988	Cohn	A47B 31/00 108/147.13
D554,323	S *	10/2007	Roth	D34/12
D561,972	S *	2/2008	Roever	D34/17
D675,394	S *	1/2013	Pedersen	D34/17
D710,064	S *	7/2014	Schumaker	D34/17
D748,359	S *	1/2016	Lustig	D34/21
D831,292	S *	10/2018	Thuma	D34/12
D832,549	S *	10/2018	Cao	D34/21
D846,824	S *	4/2019	Cao	D34/21
D846,825	S *	4/2019	Cao	D34/21
D850,753	S *	6/2019	Cao	D34/21

852,448	A1	6/2019	Hu	
852,449	A1	6/2019	Hu	
D898,319	S *	10/2020	Strandmark D34/21
D899,826	S *	10/2020	Cheng D6/675.1
D901,123	S *	11/2020	Liu D34/21
D901,816	S *	11/2020	Liu D34/21
D902,521	S *	11/2020	Tsai D34/21
D919,918	S *	5/2021	Liu D34/21
D920,619	S *	5/2021	Cao D34/21
D922,021	S *	6/2021	Phillips D34/21
D922,023	S *	6/2021	Chen D34/21
D926,415	S *	7/2021	Su D34/21
2014/0217690	A1 *	8/2014	Schumaker A47B 31/00 280/47.35

* cited by examiner

Primary Examiner — Cynthia Ramirez

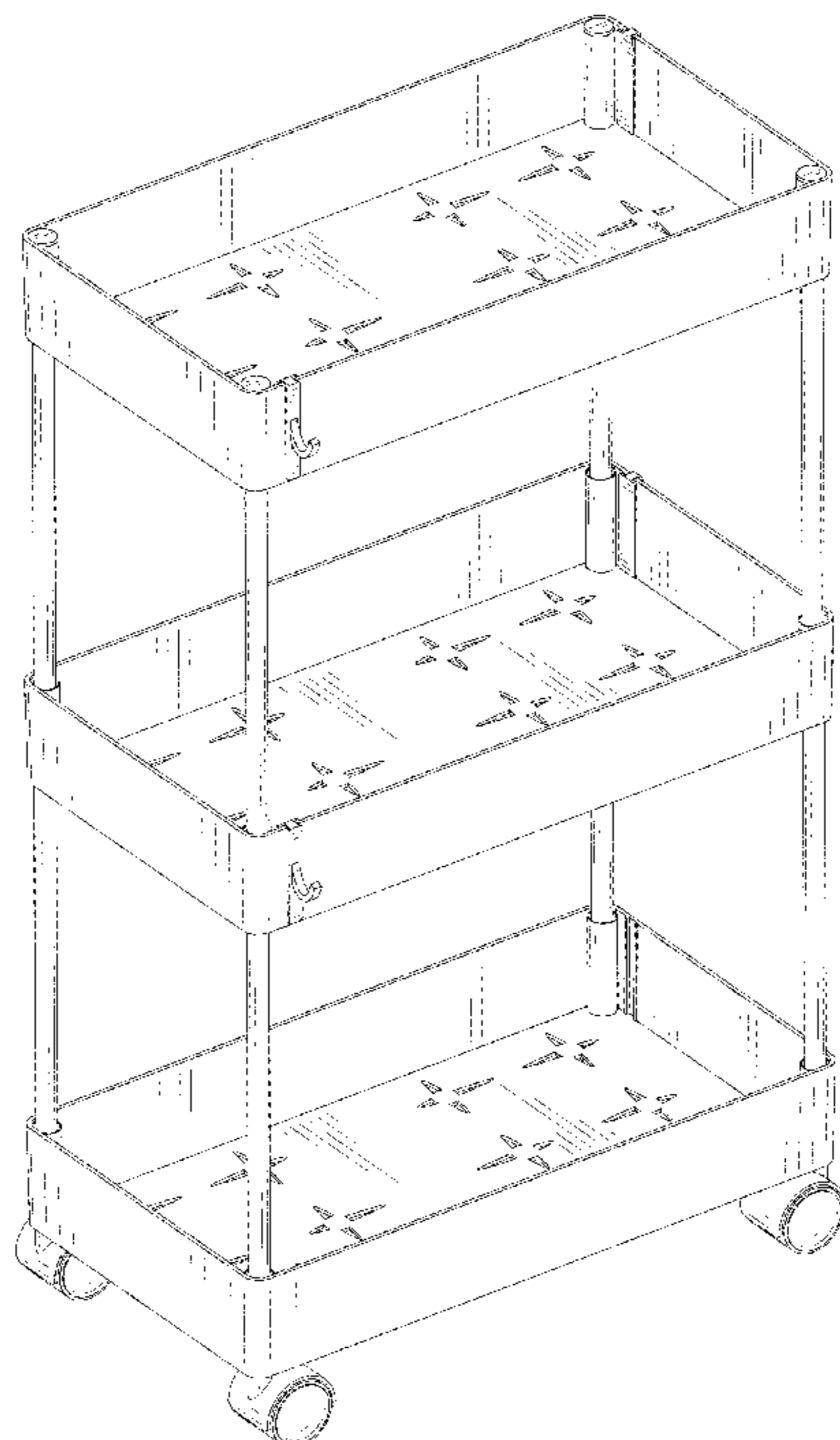
(57) **CLAIM**

The ornamental design for a storage cart, as shown and described.

DESCRIPTION

FIG. 1 is a perspective view of a storage cart showing my new design;
 FIG. 2 is another perspective view thereof;
 FIG. 3 is a front elevational view thereof;
 FIG. 4 is a rear elevational view thereof;
 FIG. 5 is a left side elevational view thereof;
 FIG. 6 is a right side elevational view thereof;
 FIG. 7 is a top plan view thereof;
 FIG. 8 is a bottom plan view thereof;
 FIG. 9 is another perspective view; and,
 FIG. 10 is an exploded perspective view of the storage cart.
 The broken lines in the drawings show environment that form no part of the claimed design.

1 Claim, 10 Drawing Sheets



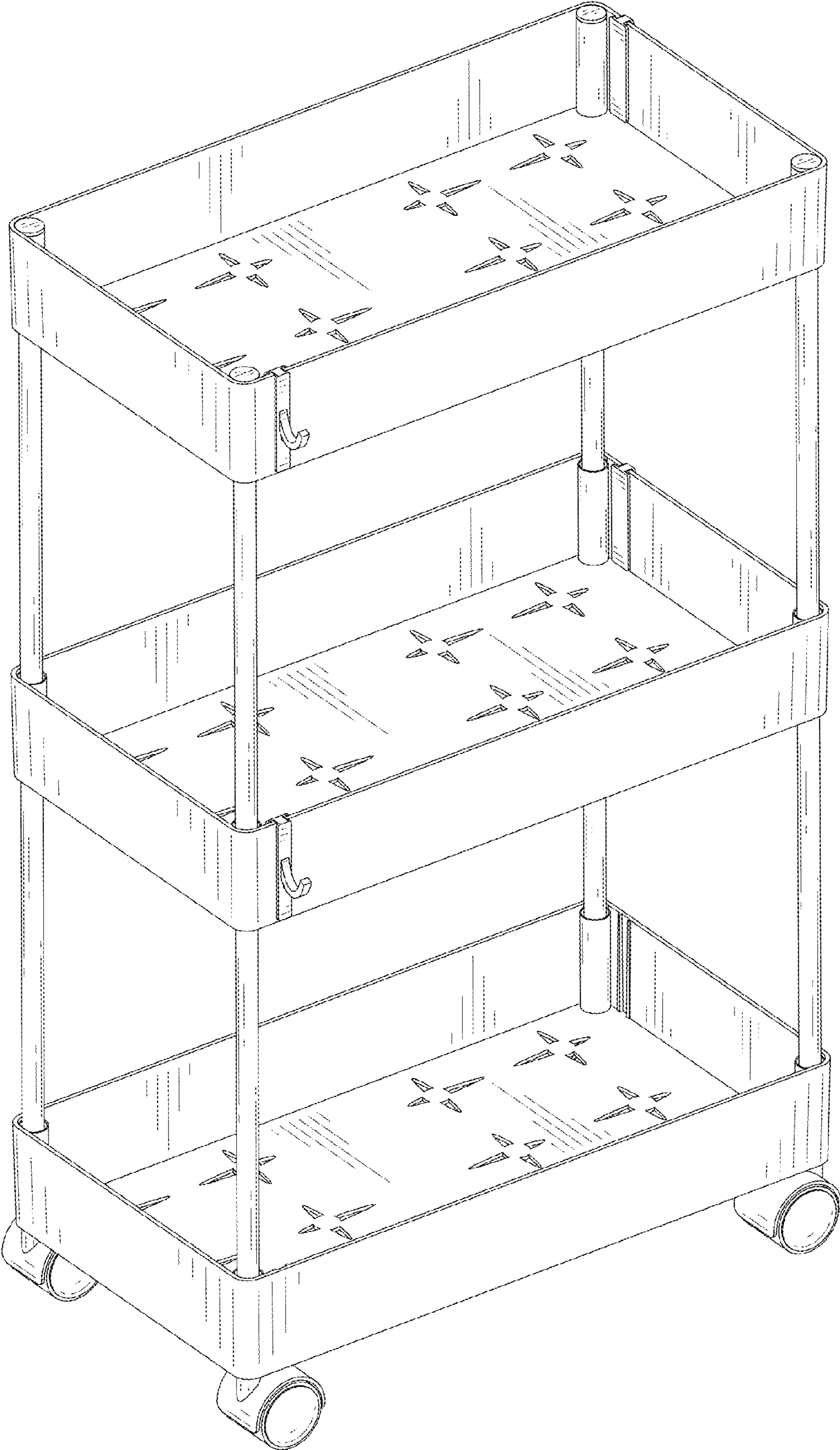


FIG. 1

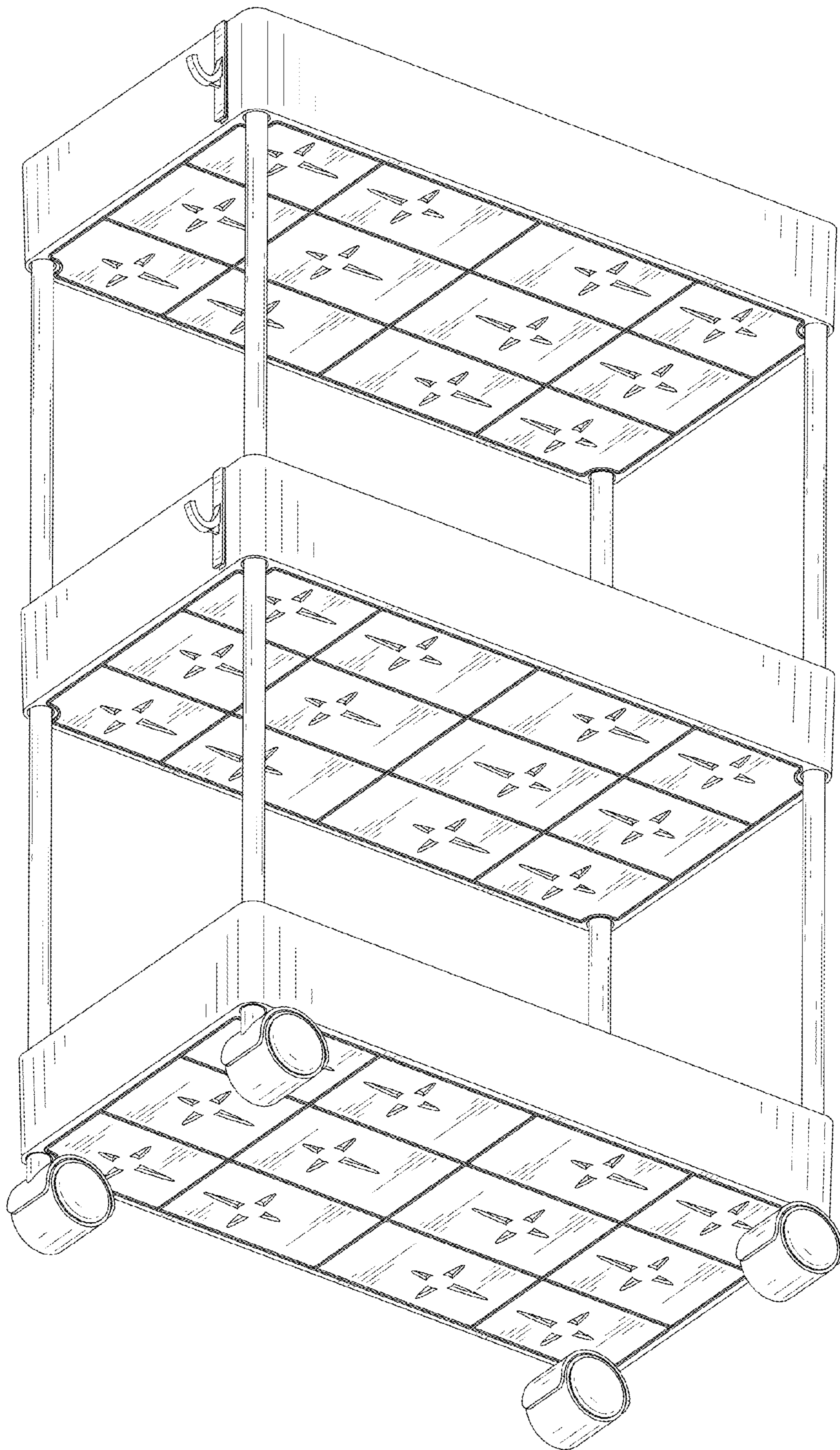


FIG. 2

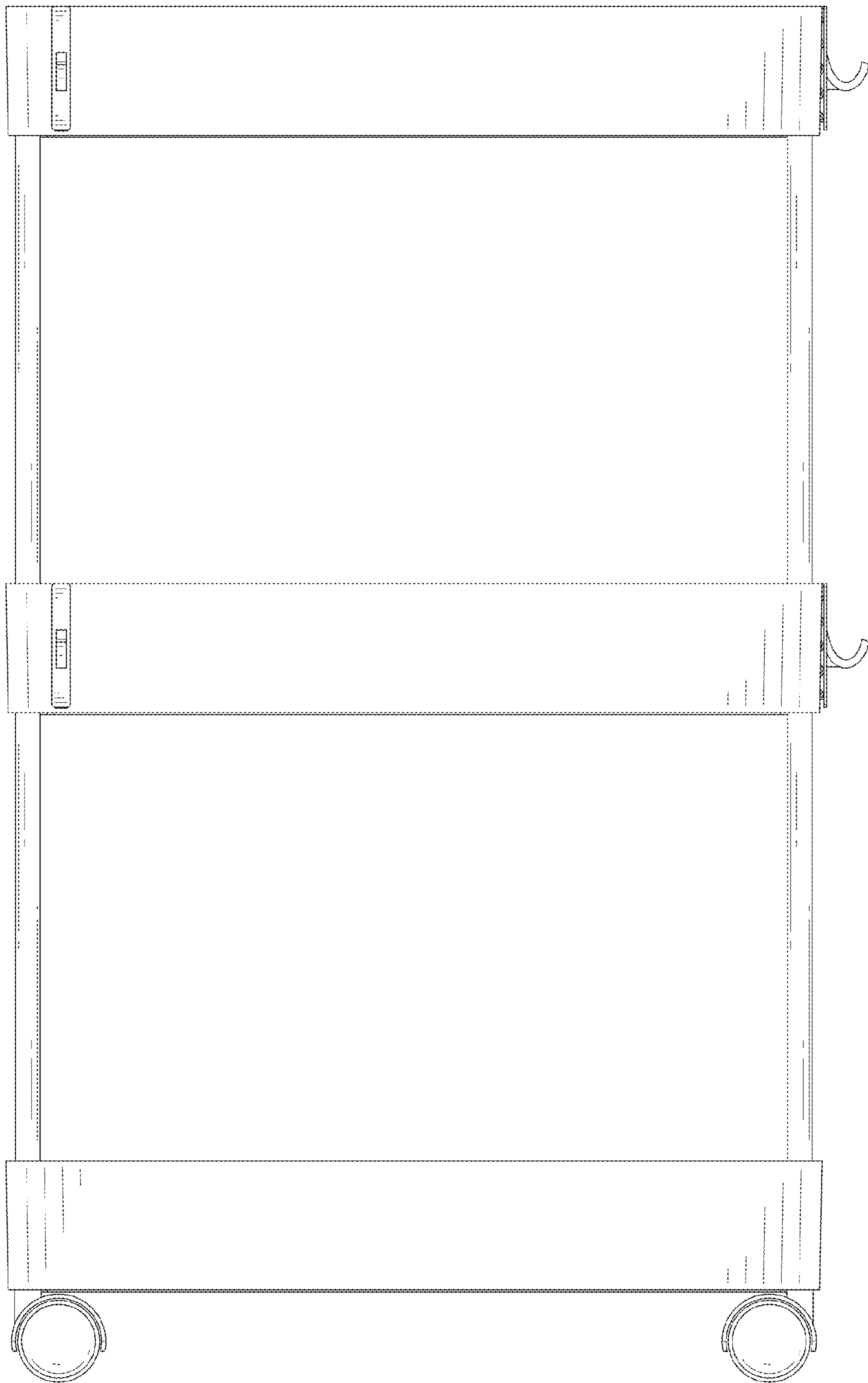


FIG. 3

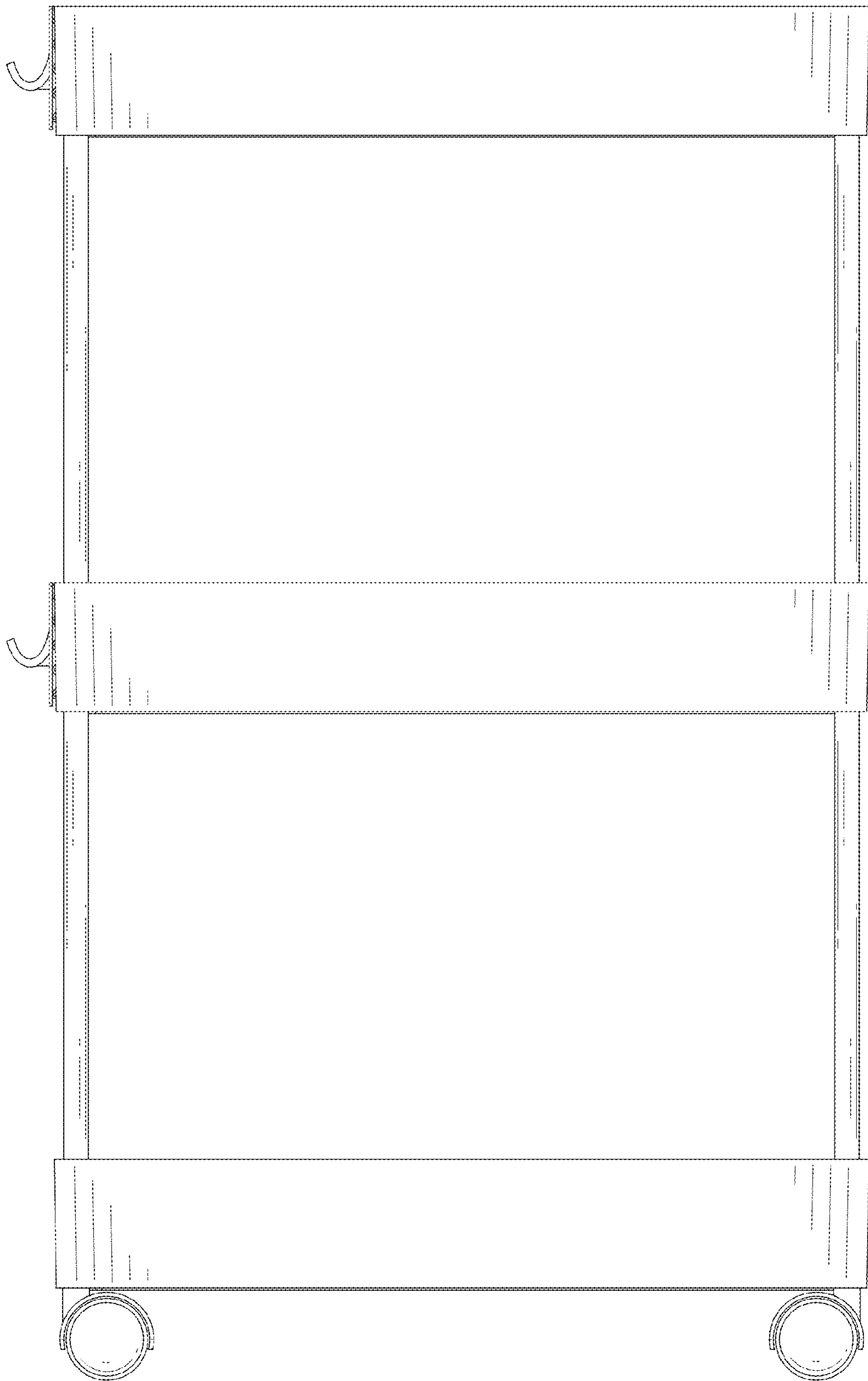


FIG. 4

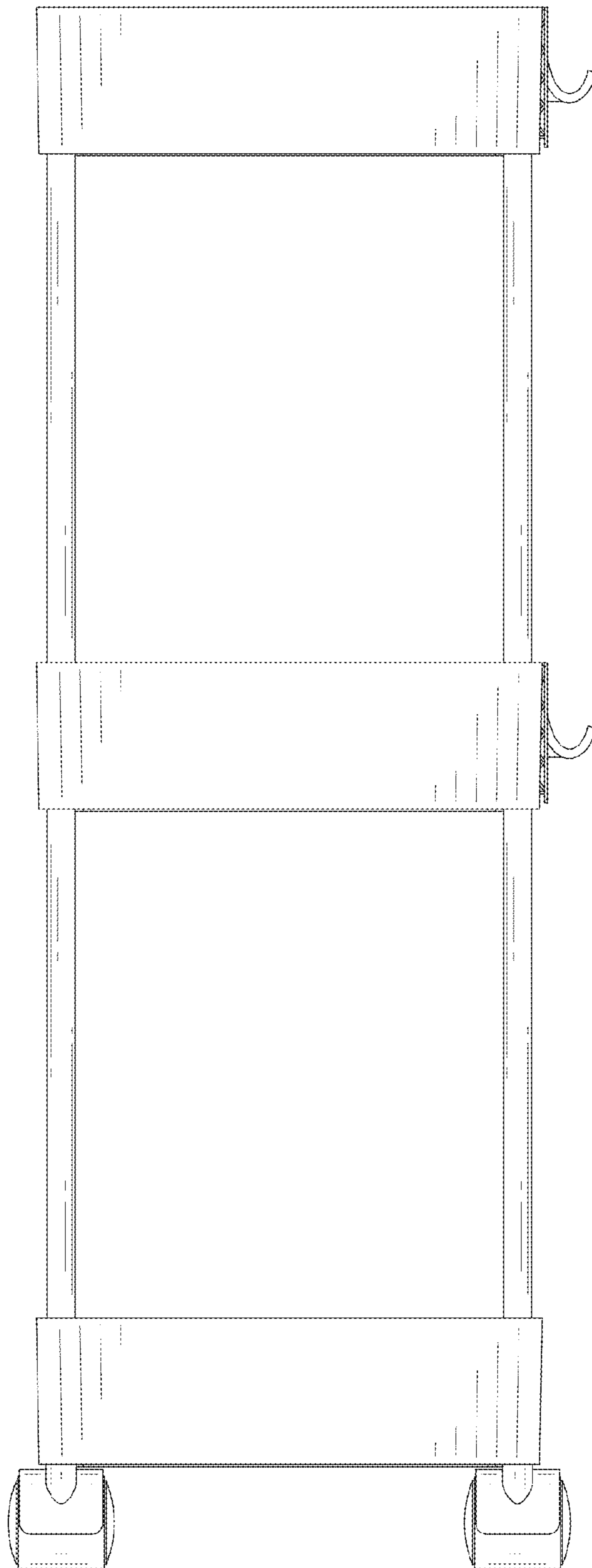


FIG. 5

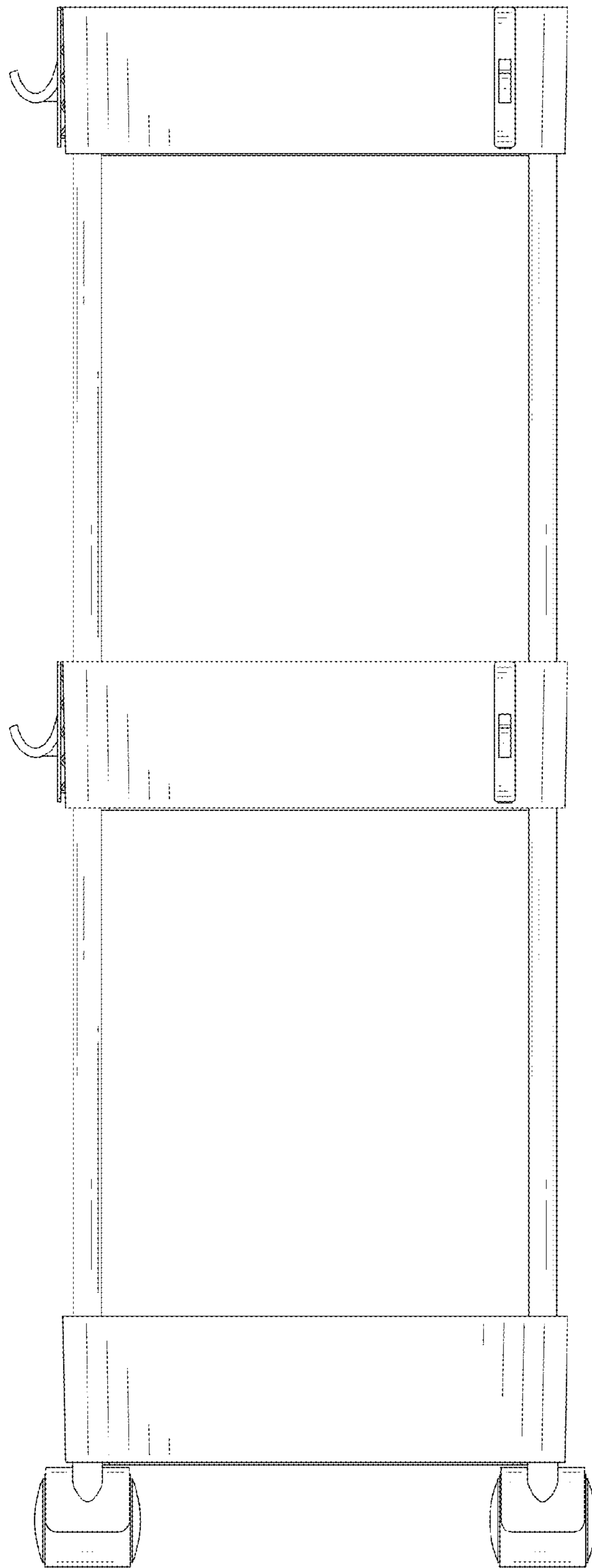


FIG. 6

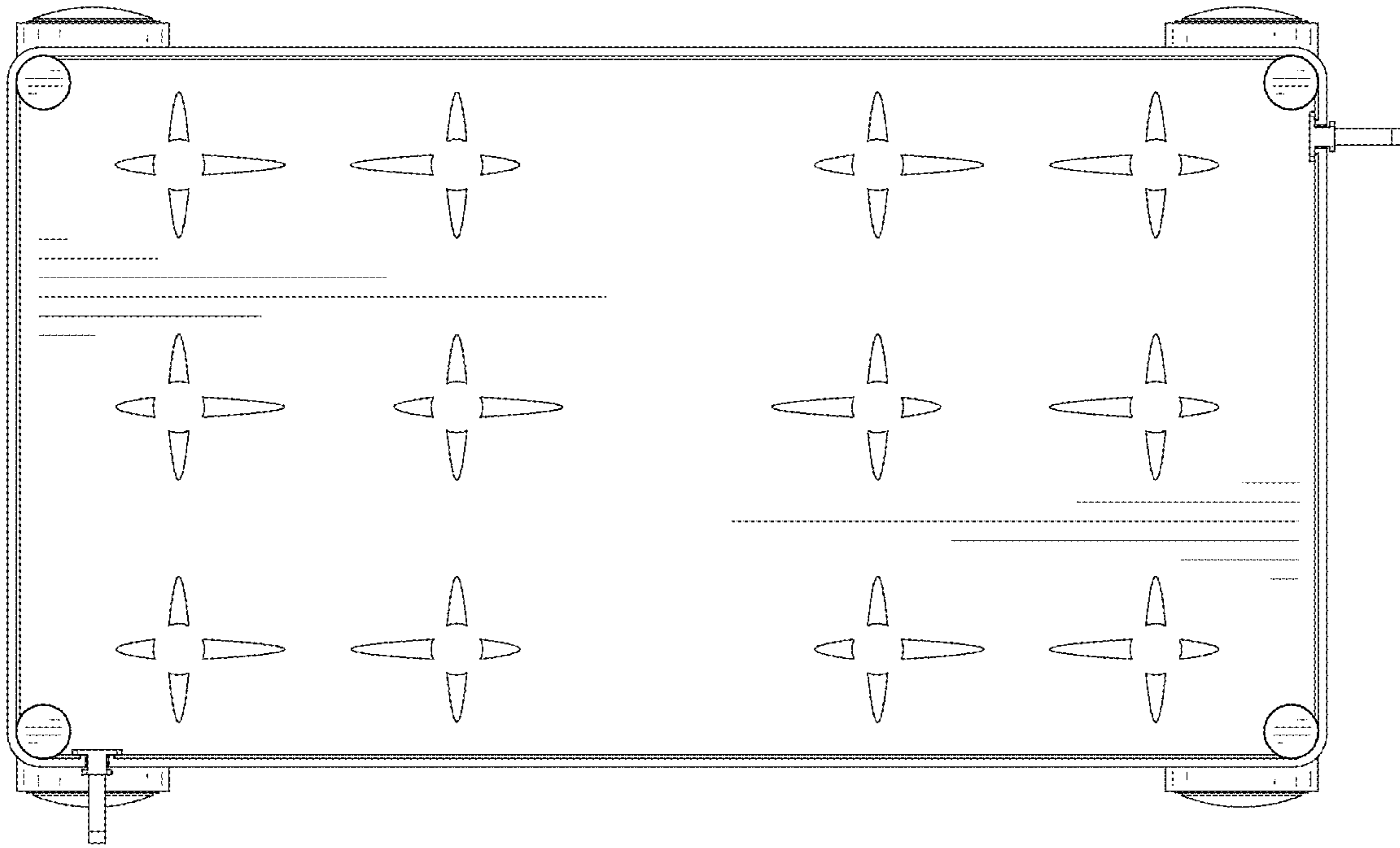


FIG. 7

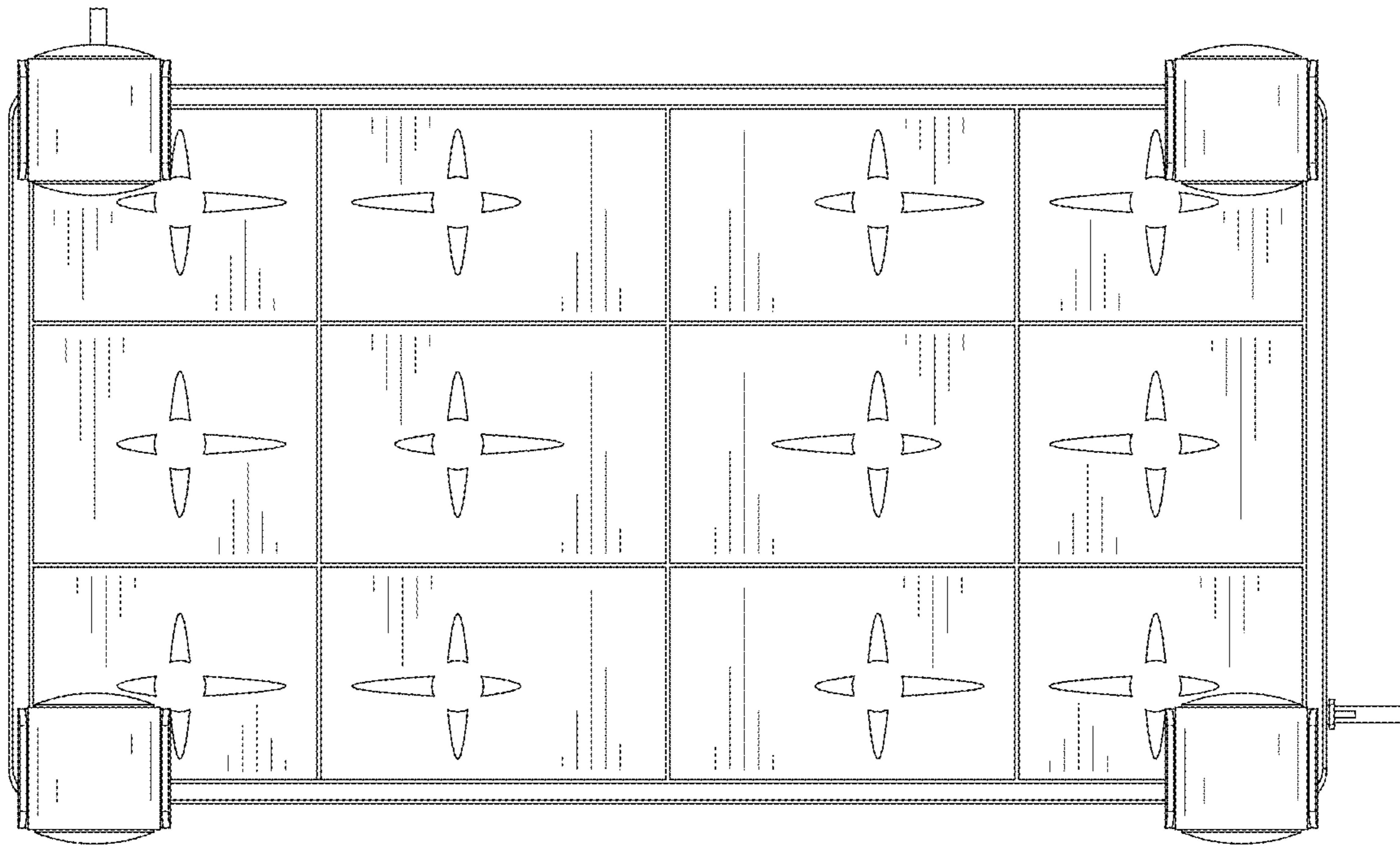


FIG. 8

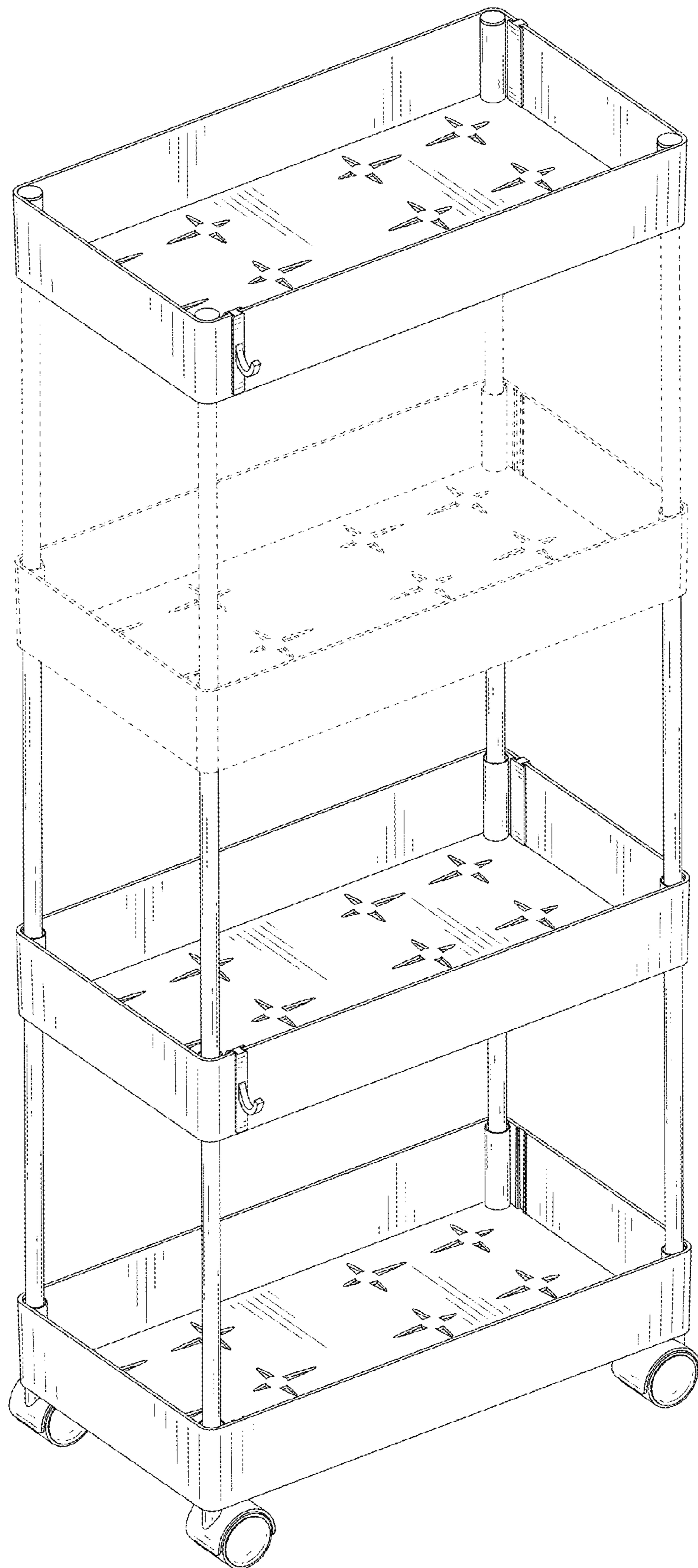


FIG. 9

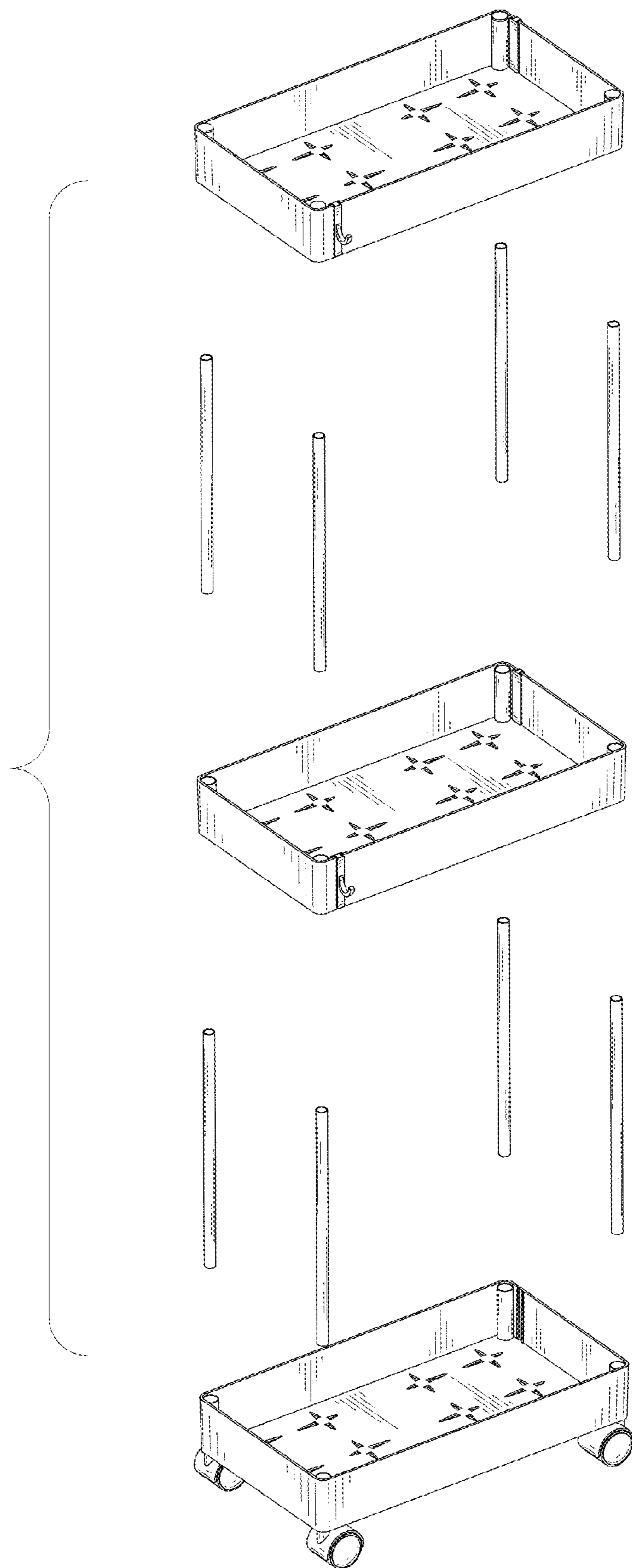


FIG. 10