



US00D937527S

(12) **United States Design Patent** (10) **Patent No.:** **US D937,527 S**
Irwin et al. (45) **Date of Patent:** **** Nov. 30, 2021**

(54) **WHEELED CART HANDLE**

(74) *Attorney, Agent, or Firm* — Lee & Hayes, P.C.

(71) Applicant: **Amazon Technologies, Inc.**, Seattle, WA (US)

(57) **CLAIM**

The ornamental design for a wheeled cart handle, as shown and described.

(72) Inventors: **Robert P. Irwin**, Auburndale, MA (US); **Robert David Serra**, Nashua, NH (US); **Jacob A. Siegel**, Southborough, MA (US); **Matthew Clark Webster**, Lincoln, RI (US); **David Wai-Man Wong**, Somerville, MA (US); **Charles H. Wood**, Boston, MA (US)

DESCRIPTION

(73) Assignee: **Amazon Technologies, Inc.**, Seattle, WA (US)

FIG. 1 is a top, front, left-side perspective view of a wheeled cart handle;
FIG. 2 is a top, front, right-side perspective view thereof;
FIG. 3 is a top, back, left-side perspective view thereof;
FIG. 4 is a top, back, right-side perspective view thereof;
FIG. 5 is a bottom, back, left-side perspective view thereof;
FIG. 6 is a bottom, back, right-side perspective view thereof;
FIG. 7 is a front view thereof;
FIG. 8 is a back view thereof;
FIG. 9 is a right-side view thereof;
FIG. 10 is a left-side view thereof;
FIG. 11 is a top view thereof;
FIG. 12 is a bottom view thereof;
FIG. 13 is an enlarged top, front, left-side perspective view of the wheeled cart handle;
FIG. 14 is a top, front, right-side perspective view thereof;
FIG. 15 is a top, back, left-side perspective view thereof;
FIG. 16 is a top, back, right-side perspective view thereof;
FIG. 17 is a bottom, back, left-side perspective view thereof;
FIG. 18 is a bottom, back, right-side perspective view thereof;
FIG. 19 is a front view thereof;
FIG. 20 is a back view thereof;
FIG. 21 is a right-side view thereof;
FIG. 22 is a left-side view thereof;
FIG. 23 is a top view thereof; and,
FIG. 24 is a bottom view thereof.

(**) Term: **15 Years**

(21) Appl. No.: **29/731,011**

(22) Filed: **Apr. 10, 2020**

(51) **LOC (13) Cl.** **12-02**

(52) **U.S. Cl.**
USPC **D34/17**

(58) **Field of Classification Search**
USPC D34/12-27
CPC B62B 3/14; B62B 3/02; B62B 3/1496; B62B 5/0438

See application file for complete search history.

(56) **References Cited**

U.S. PATENT DOCUMENTS

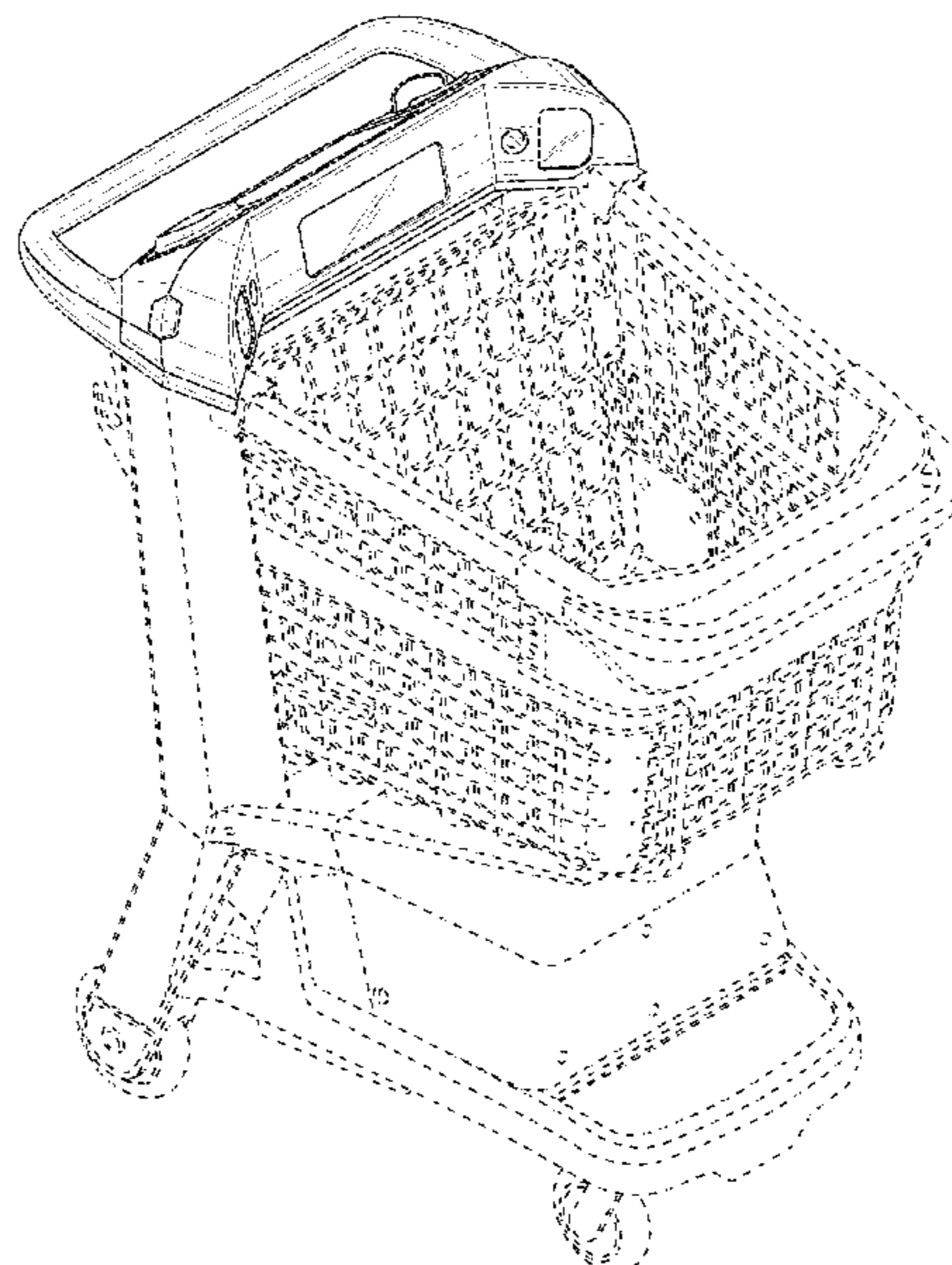
D482,172 S * 11/2003 Johnson D34/27
D710,562 S * 8/2014 Stauff D34/27
D733,388 S * 6/2015 Stauff D34/27

(Continued)

Primary Examiner — George A Bugg
Assistant Examiner — Tamara L Hahn

The dashed broken lines depict environment of the wheeled cart handle that forms no part of the claimed design.

1 Claim, 24 Drawing Sheets



(56)

References Cited

U.S. PATENT DOCUMENTS

D796,769	S *	9/2017	Stauff	D34/17
D838,929	S *	1/2019	Villanova Abadia	D34/17
D874,778	S *	2/2020	Stauff	D34/21
D886,404	S *	6/2020	Stauff	D34/27
D895,920	S *	9/2020	Villanova Abadia	D34/21
2003/0057666	A1 *	3/2003	Murar	B62B 3/14 280/33.991
2014/0238992	A1 *	8/2014	Stauff	B62B 3/1436 220/485

* cited by examiner

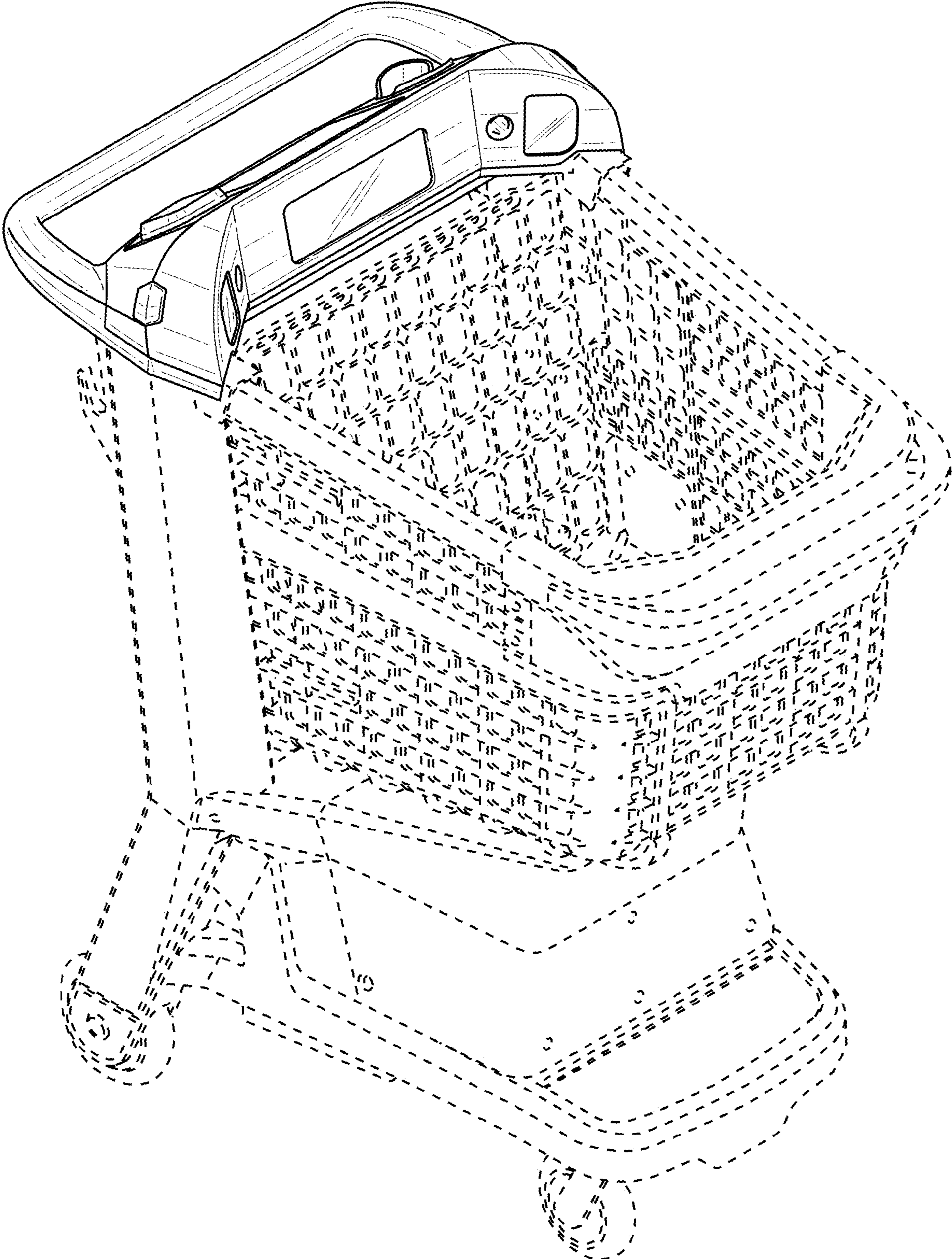


FIG. 1

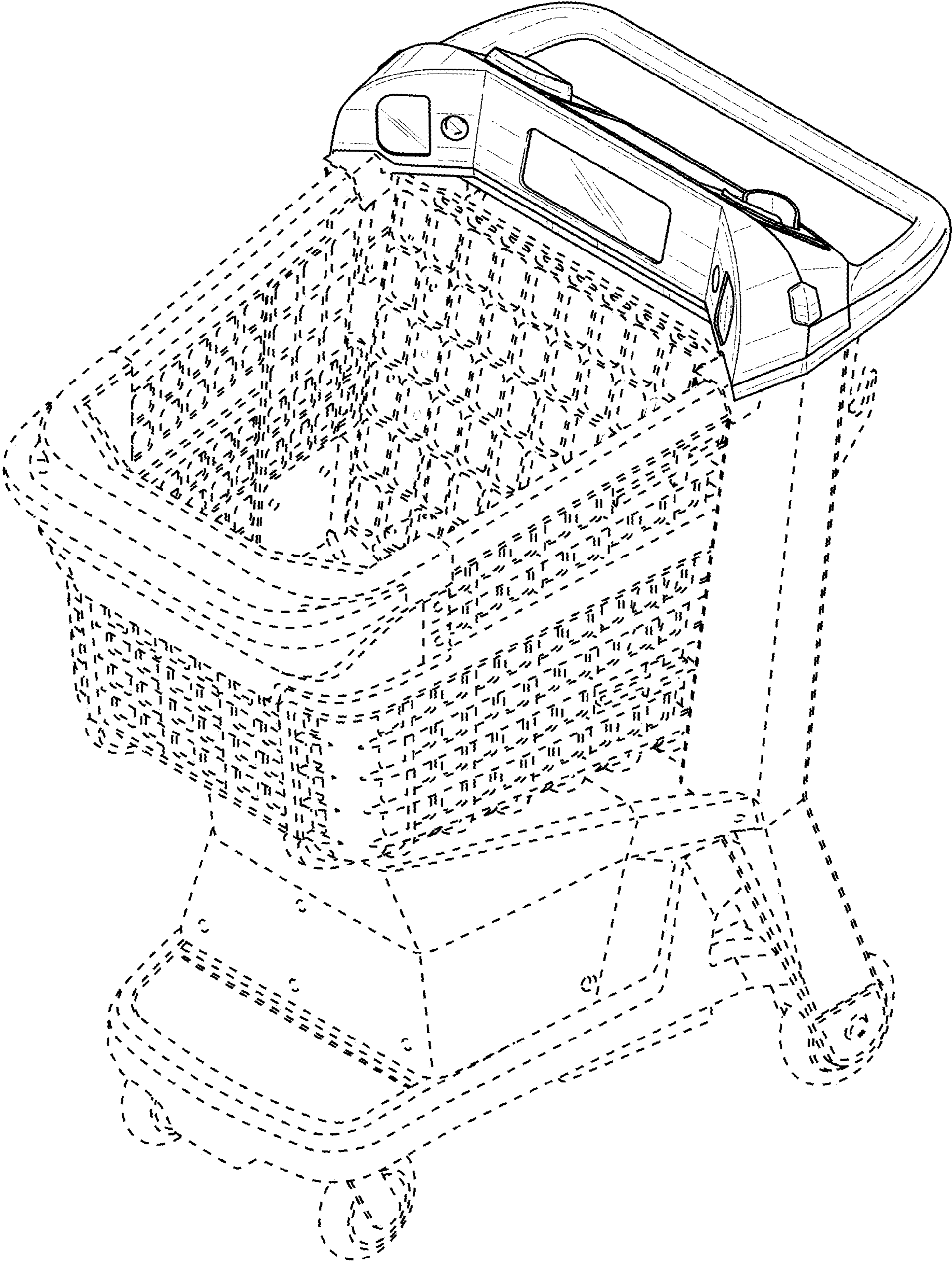


FIG. 2

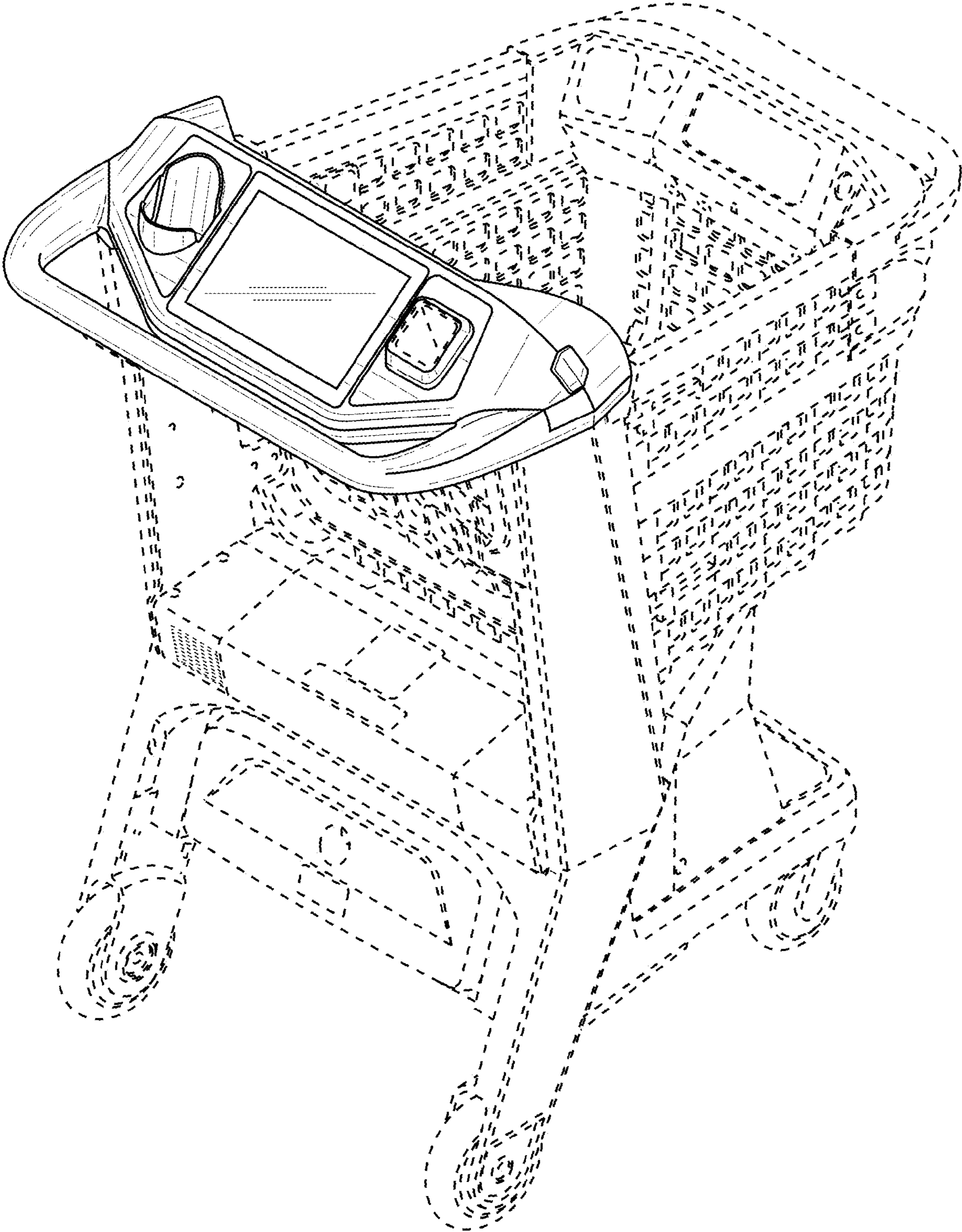


FIG. 3

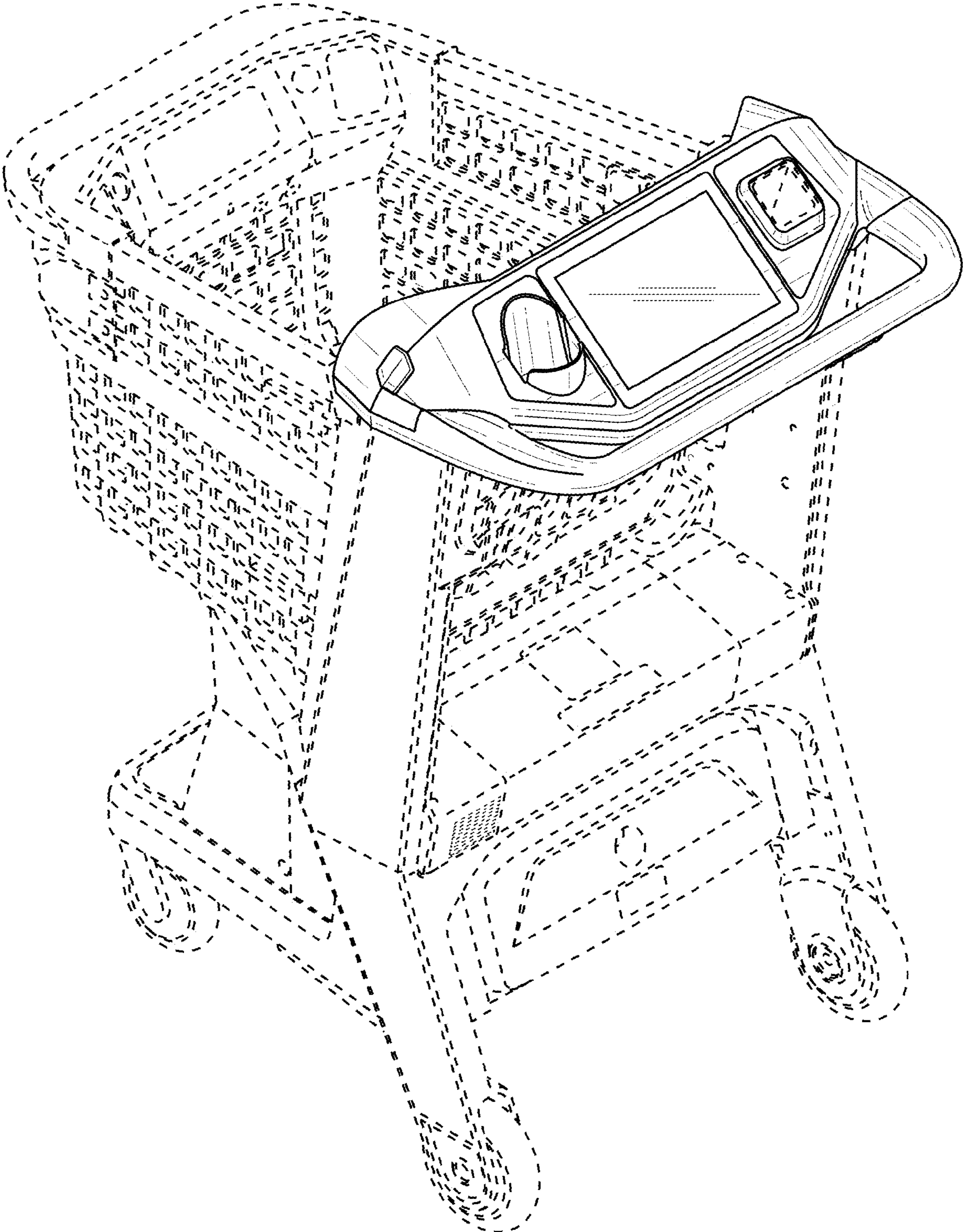


FIG. 4

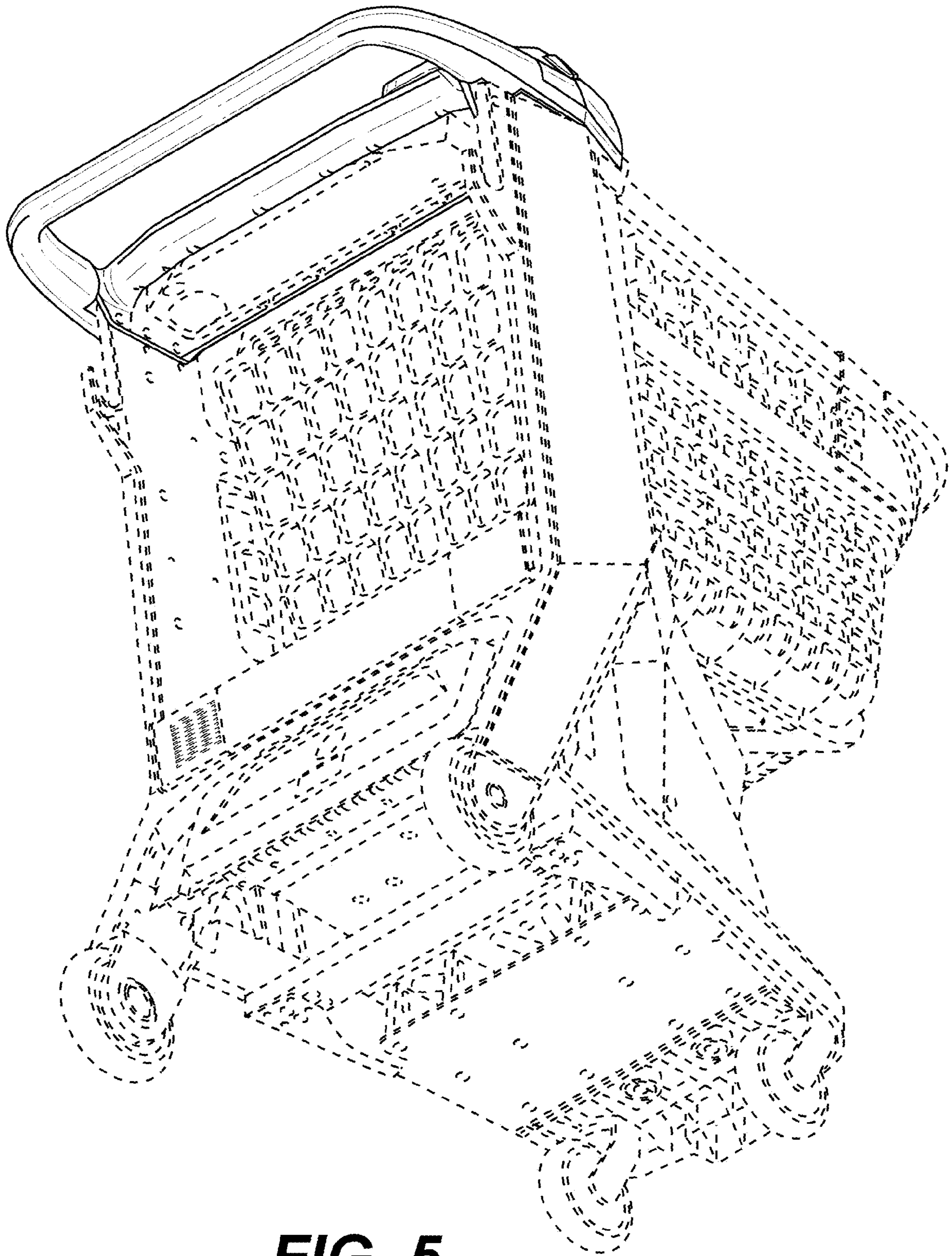


FIG. 5

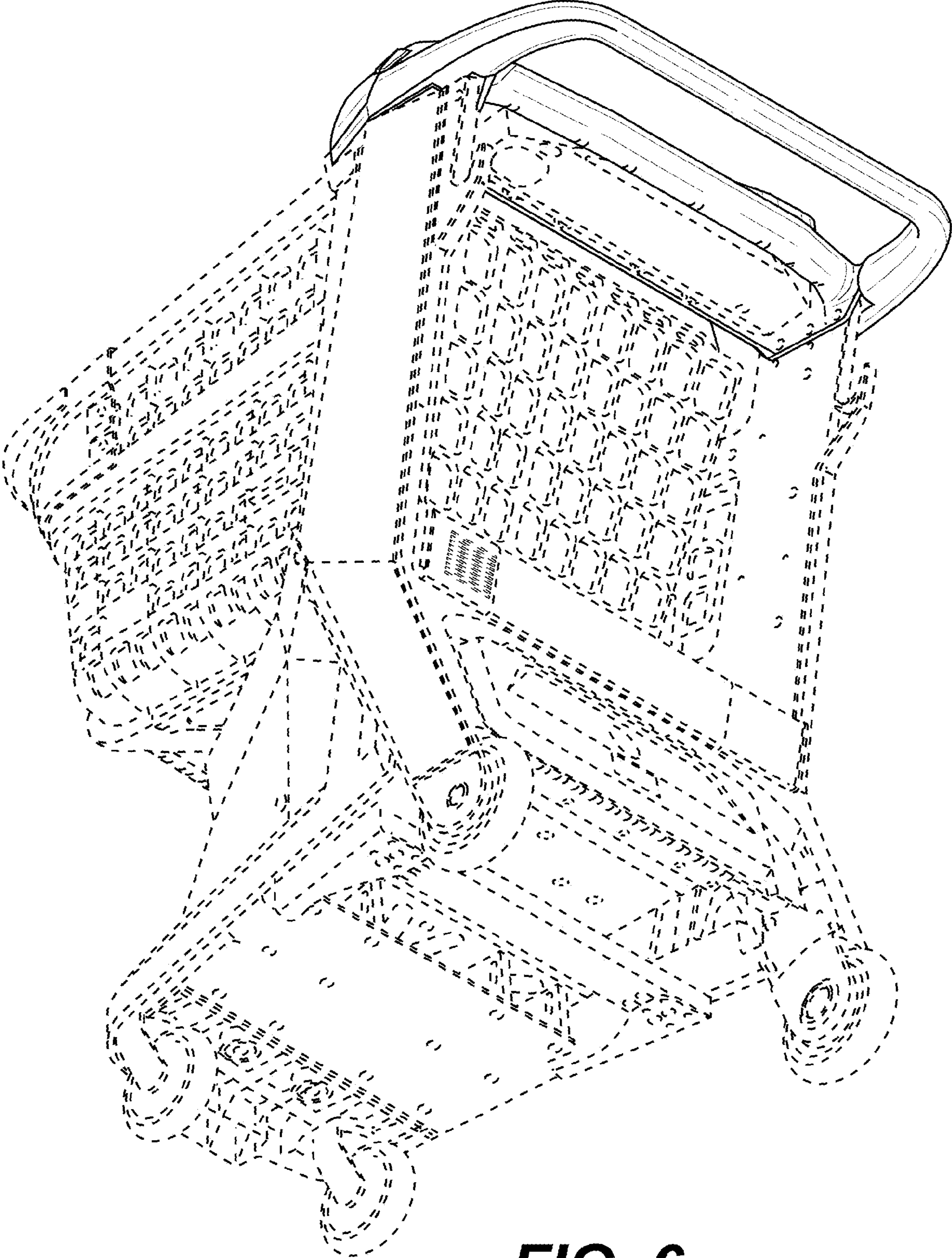


FIG. 6

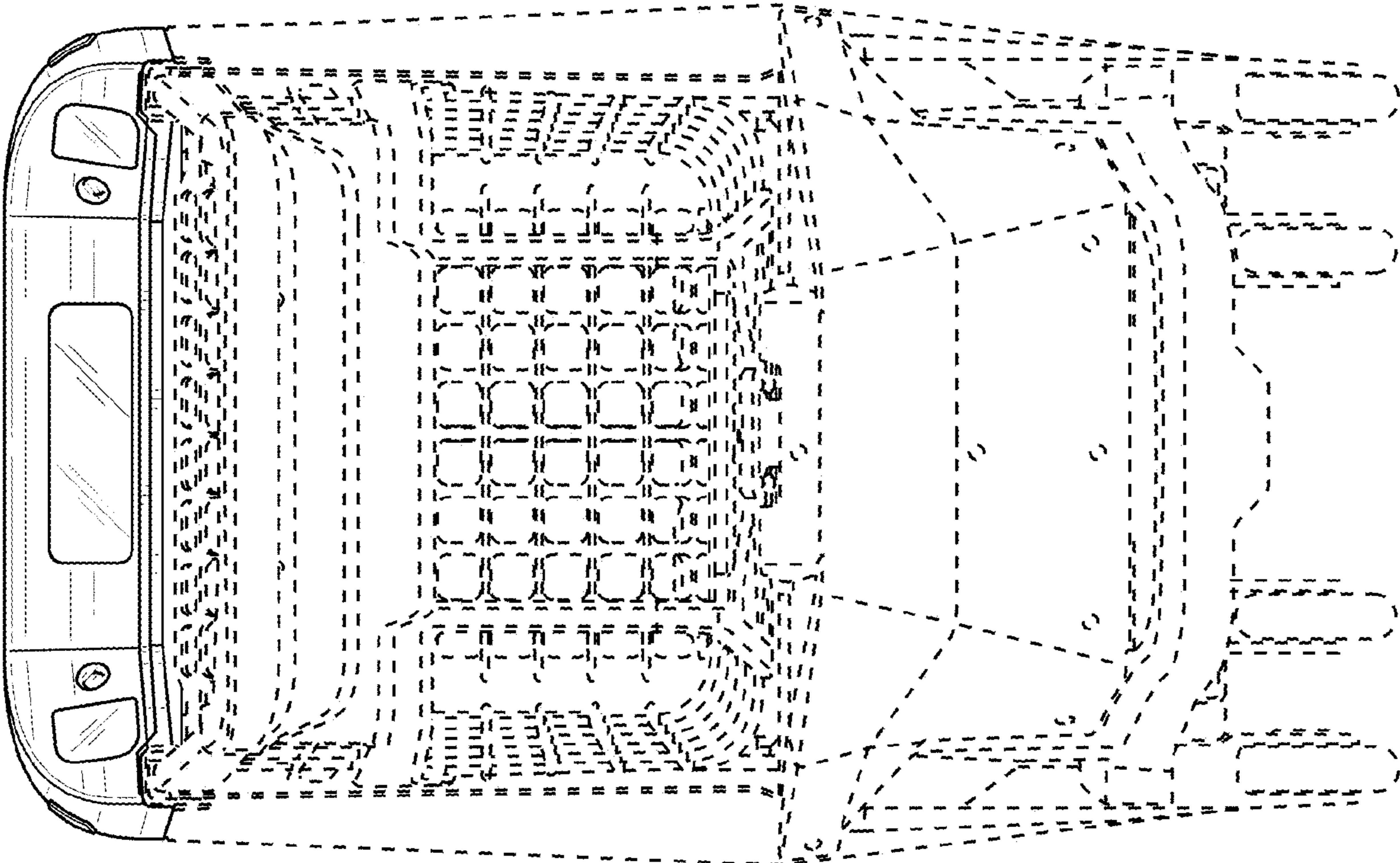


FIG. 7

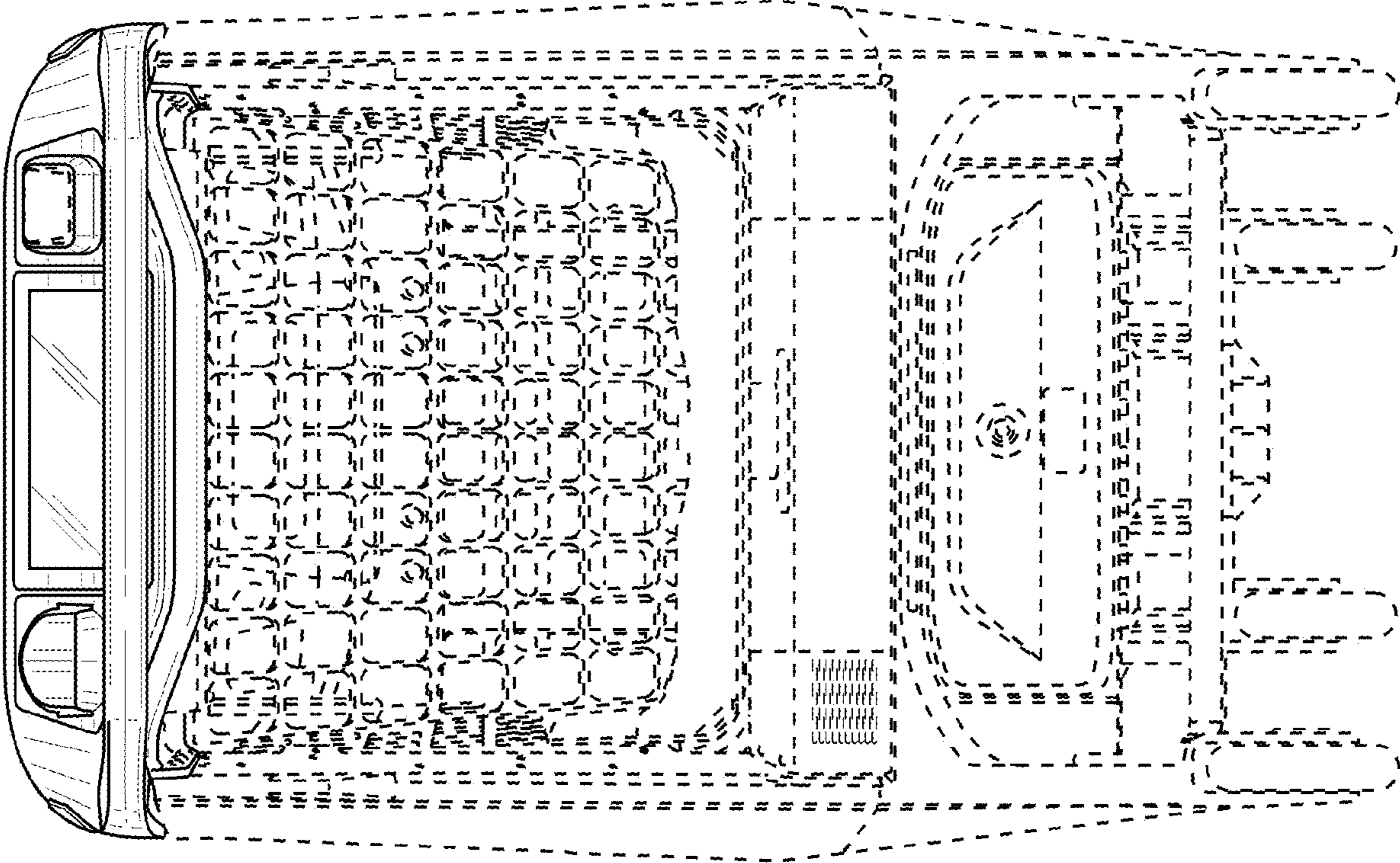


FIG. 8

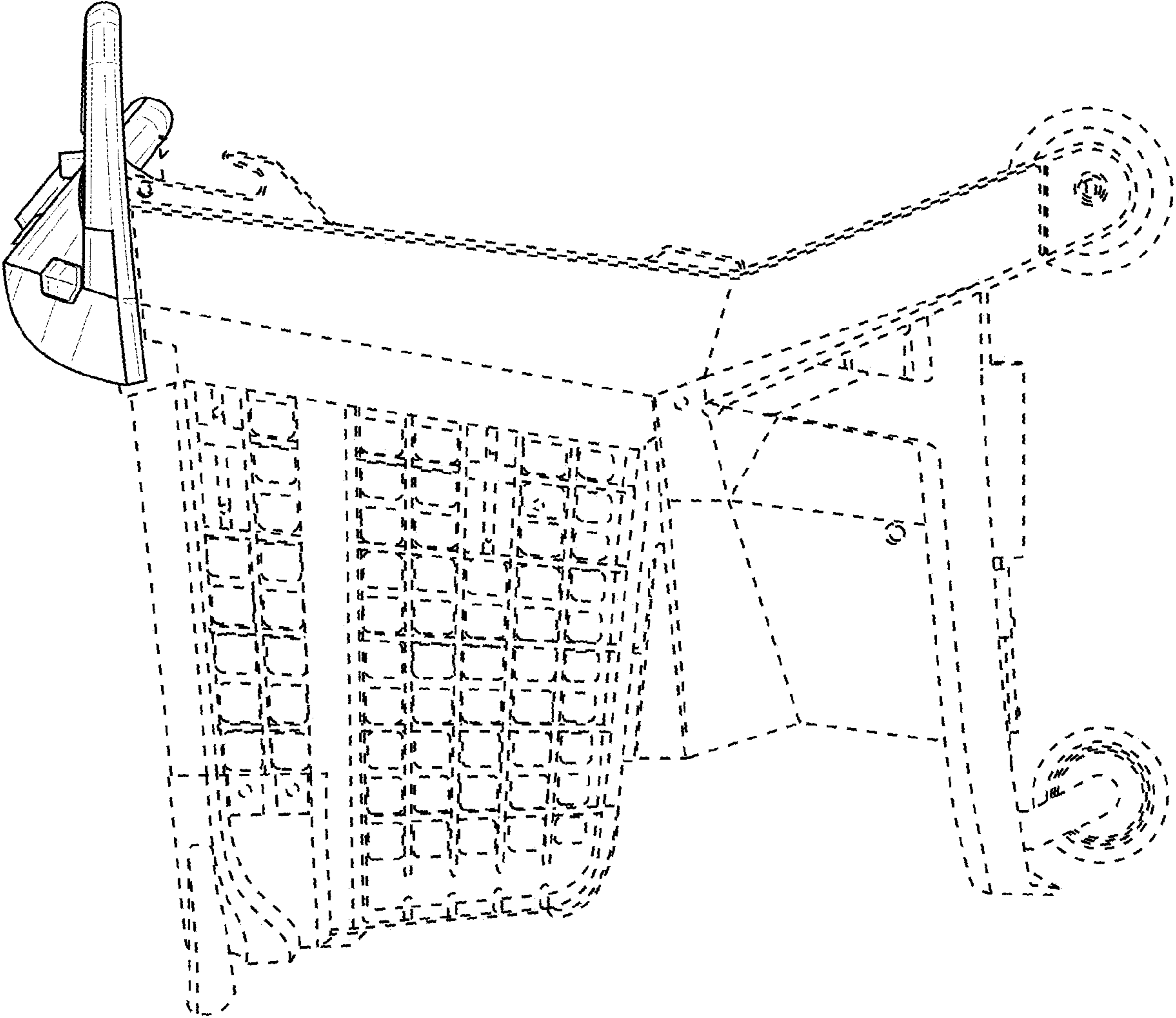


FIG. 9

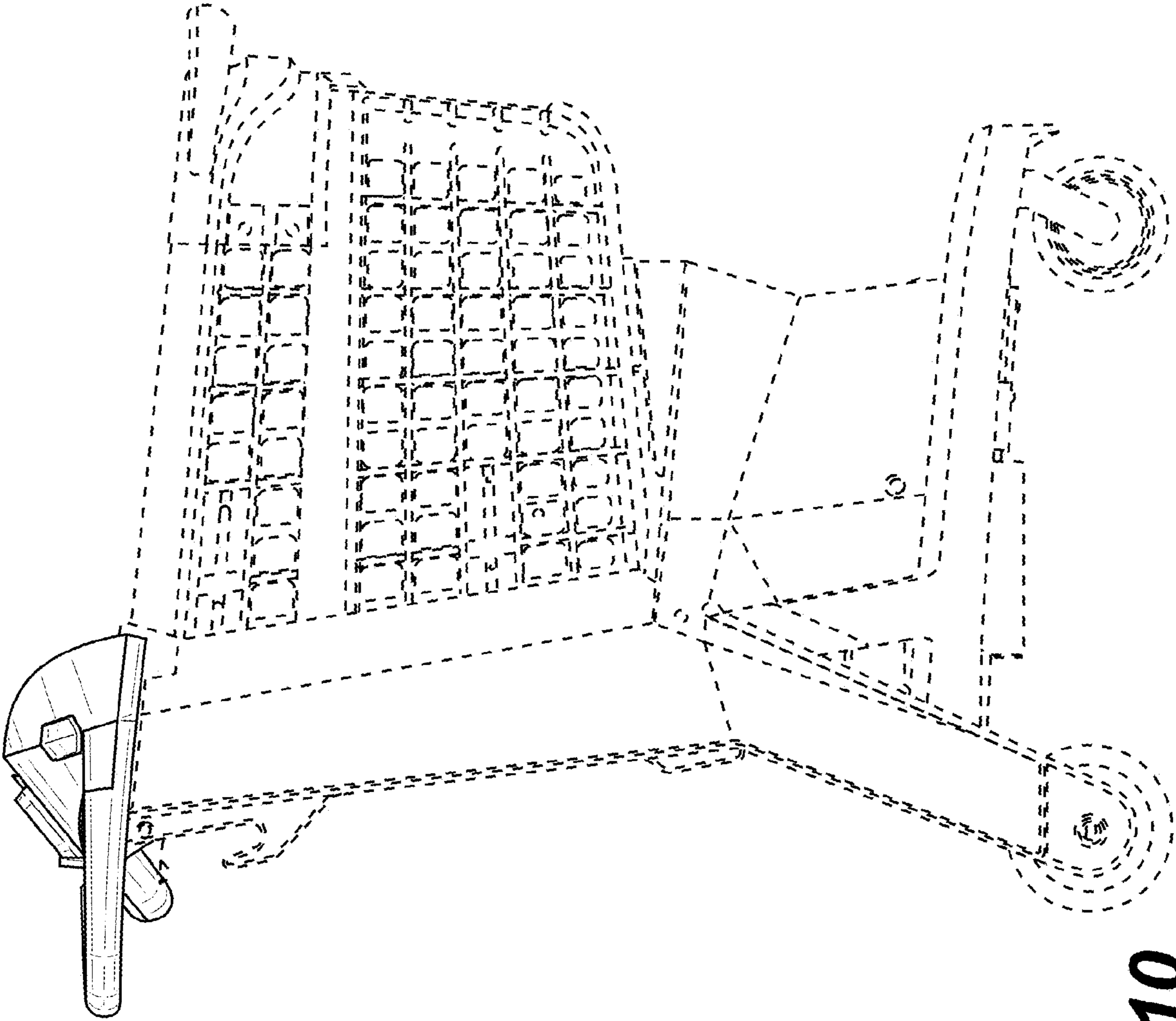


FIG. 10

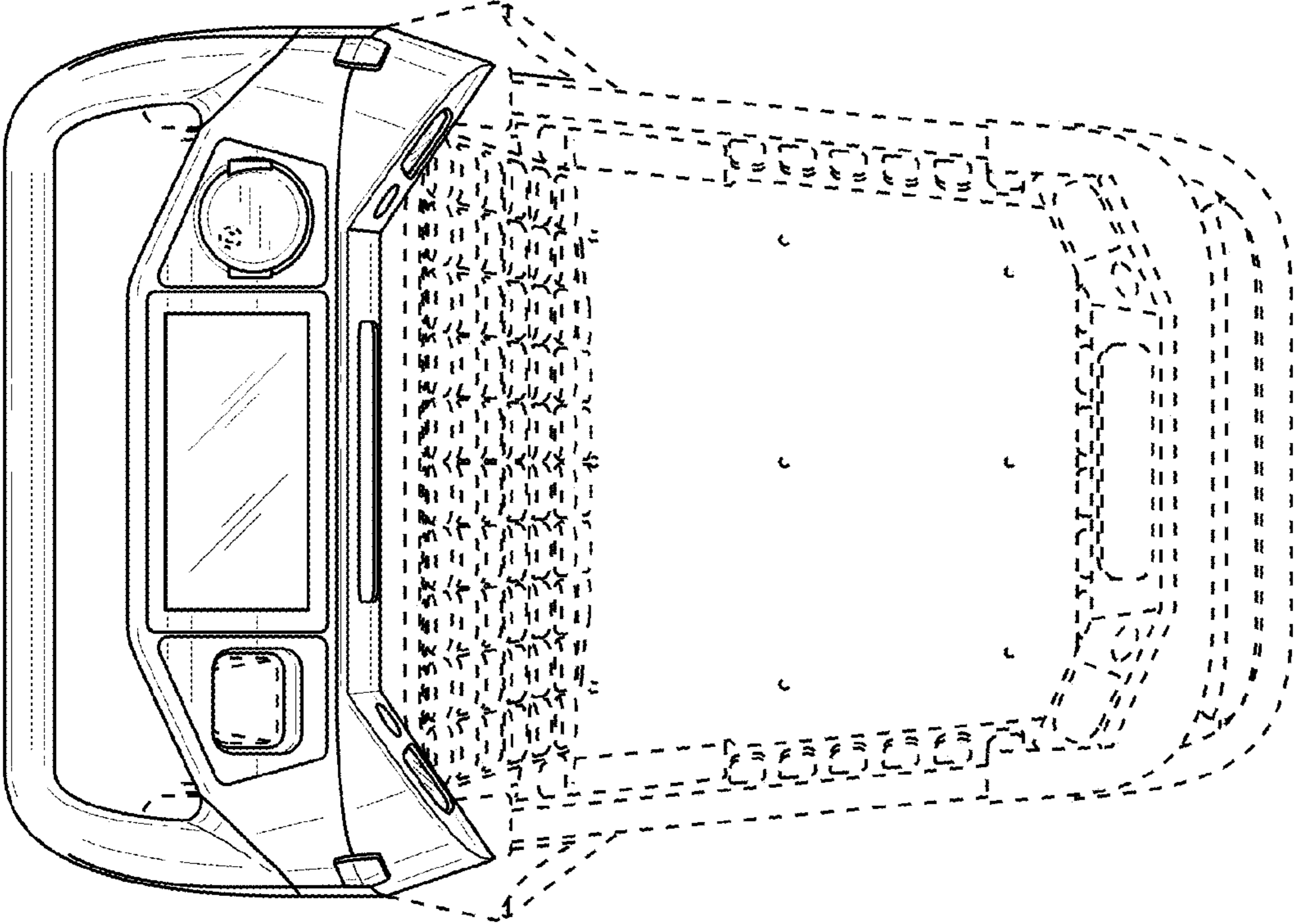


FIG. 11

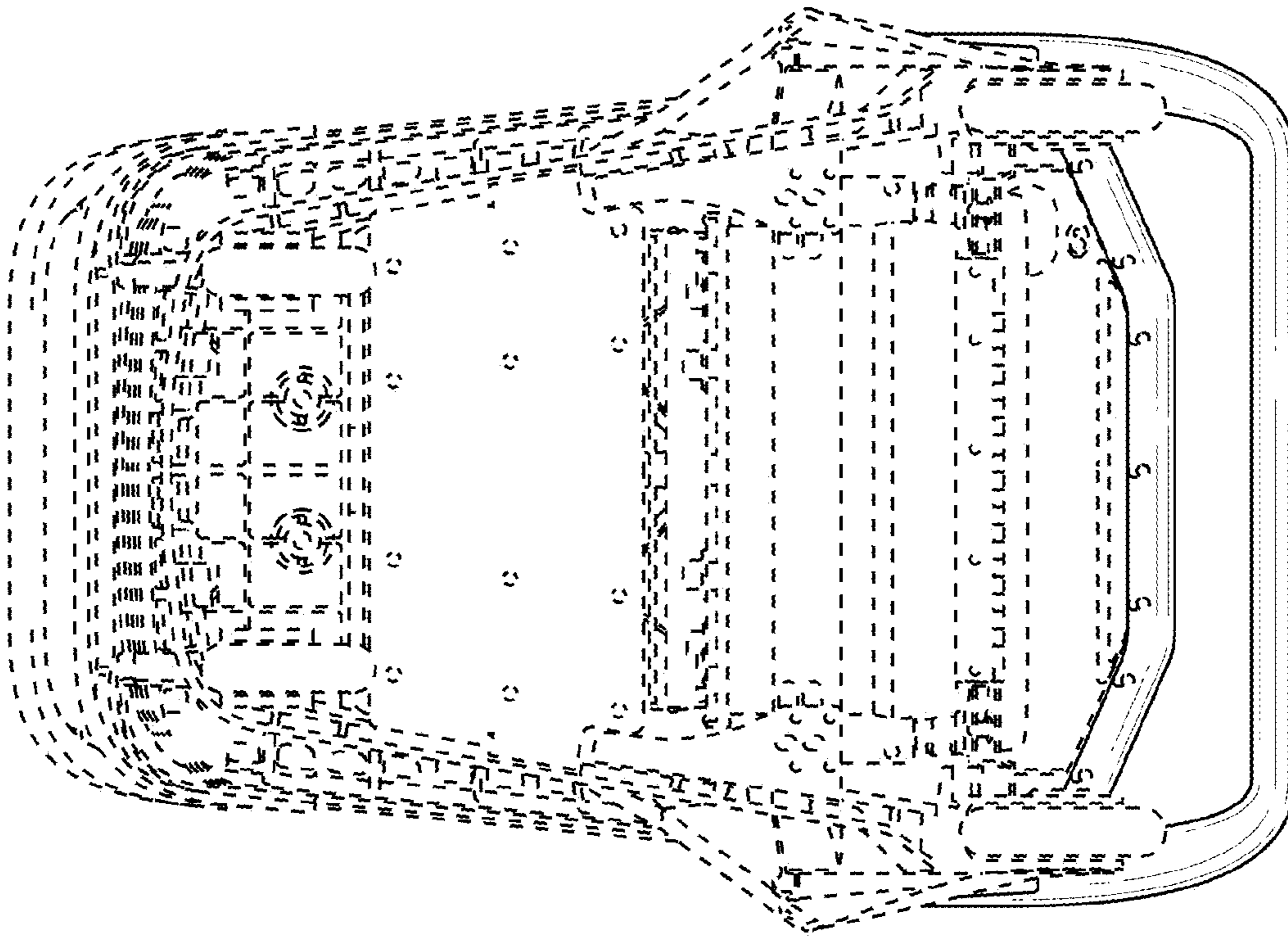


FIG. 12

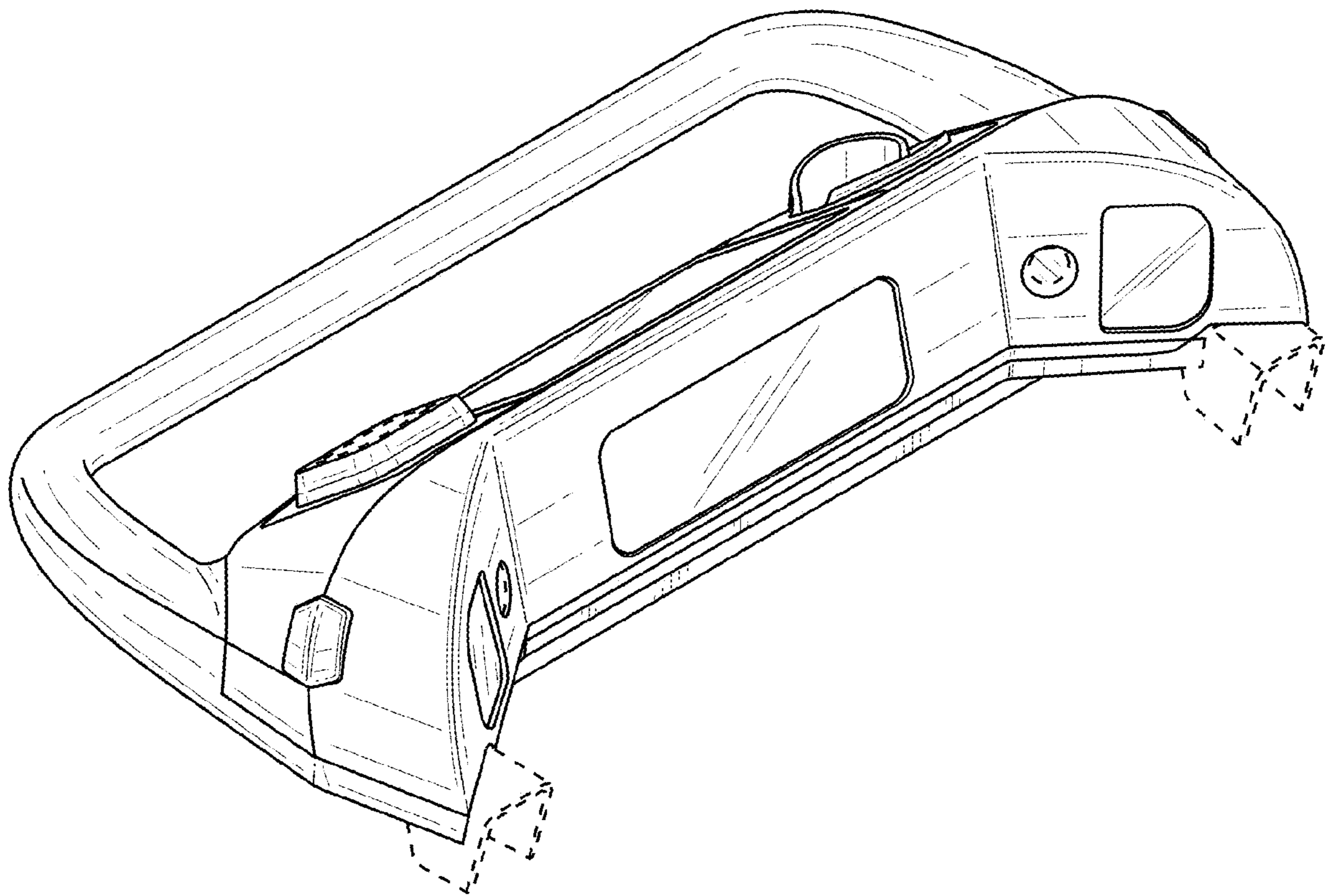


FIG. 13

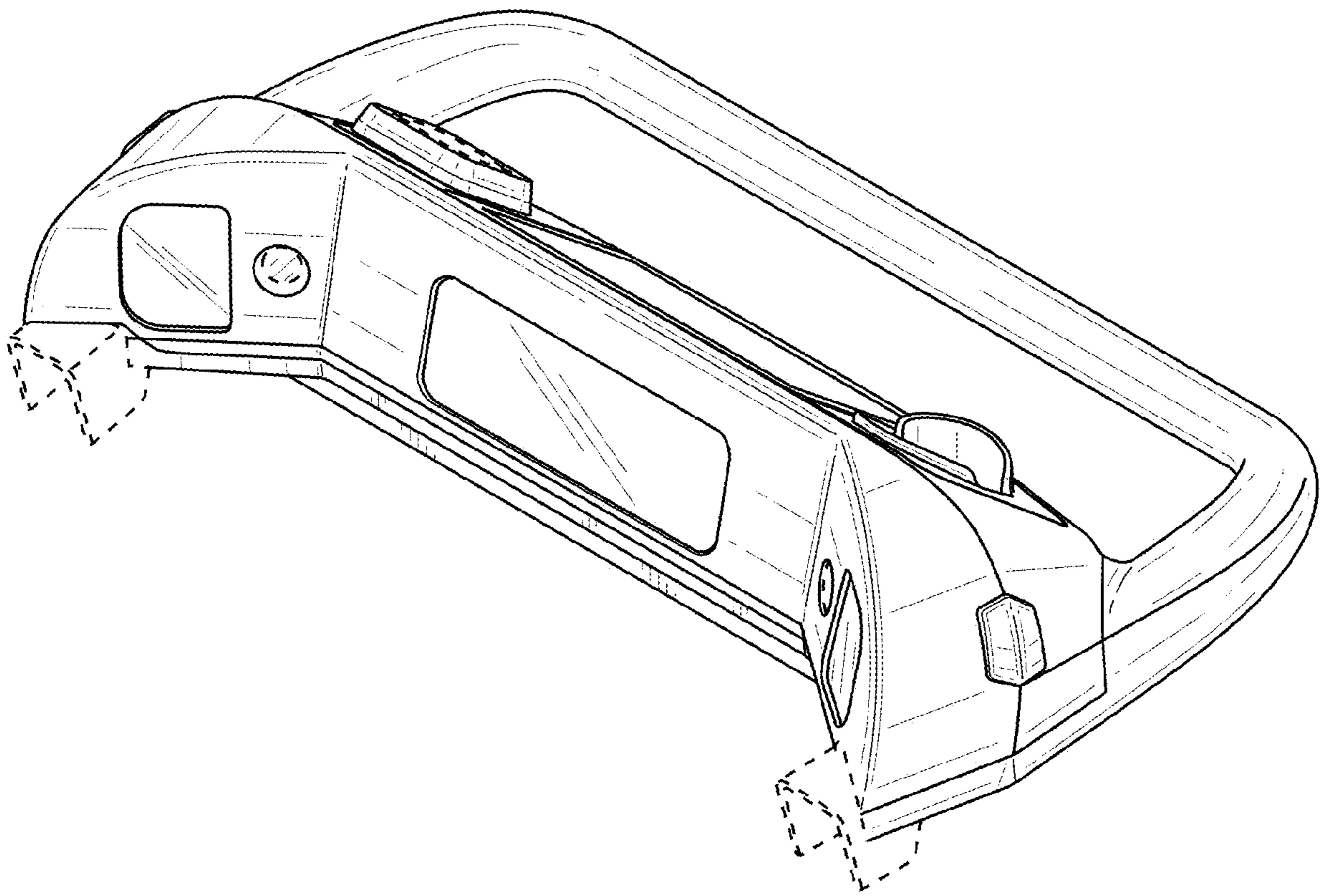


FIG. 14

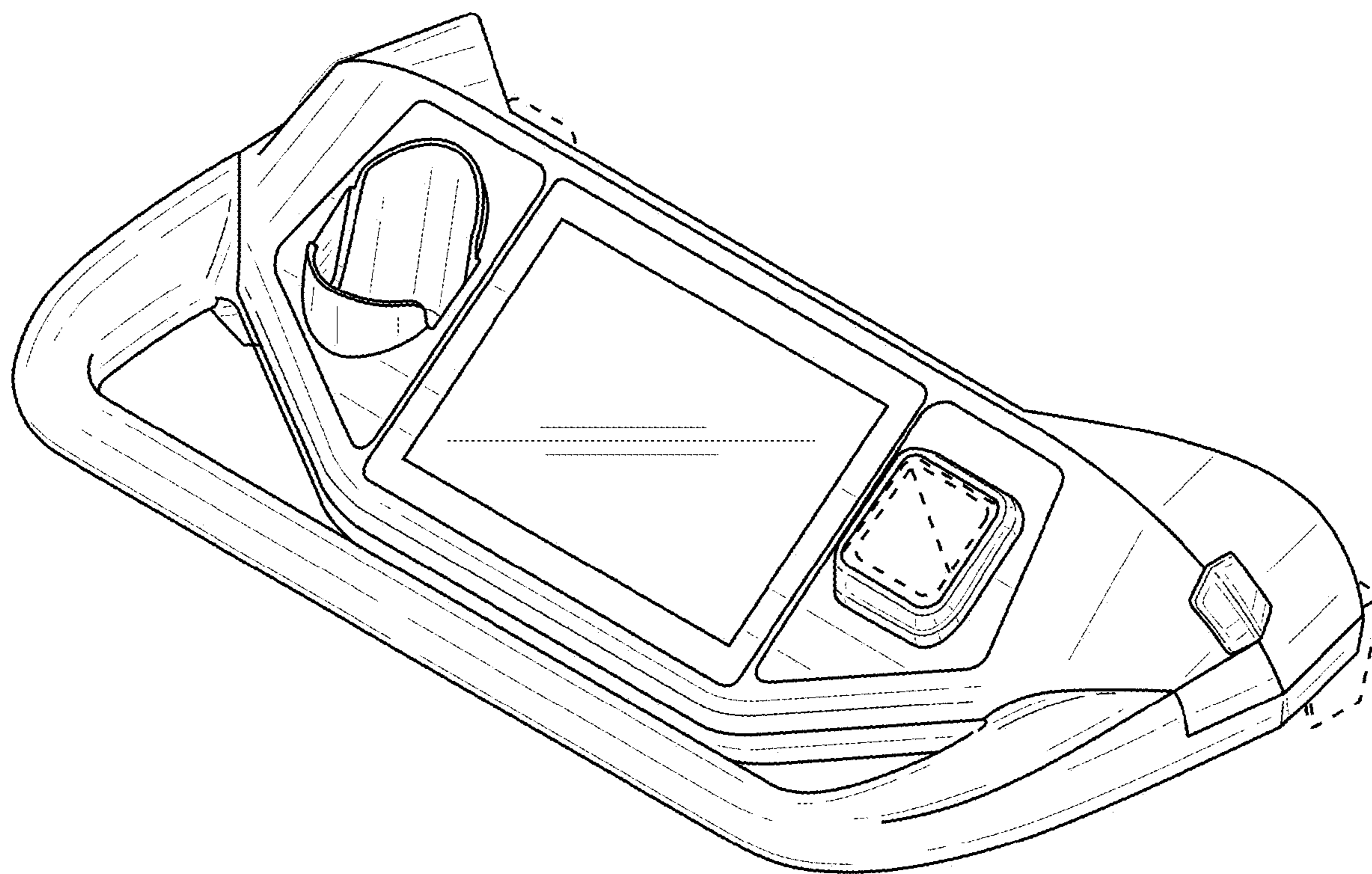


FIG. 15

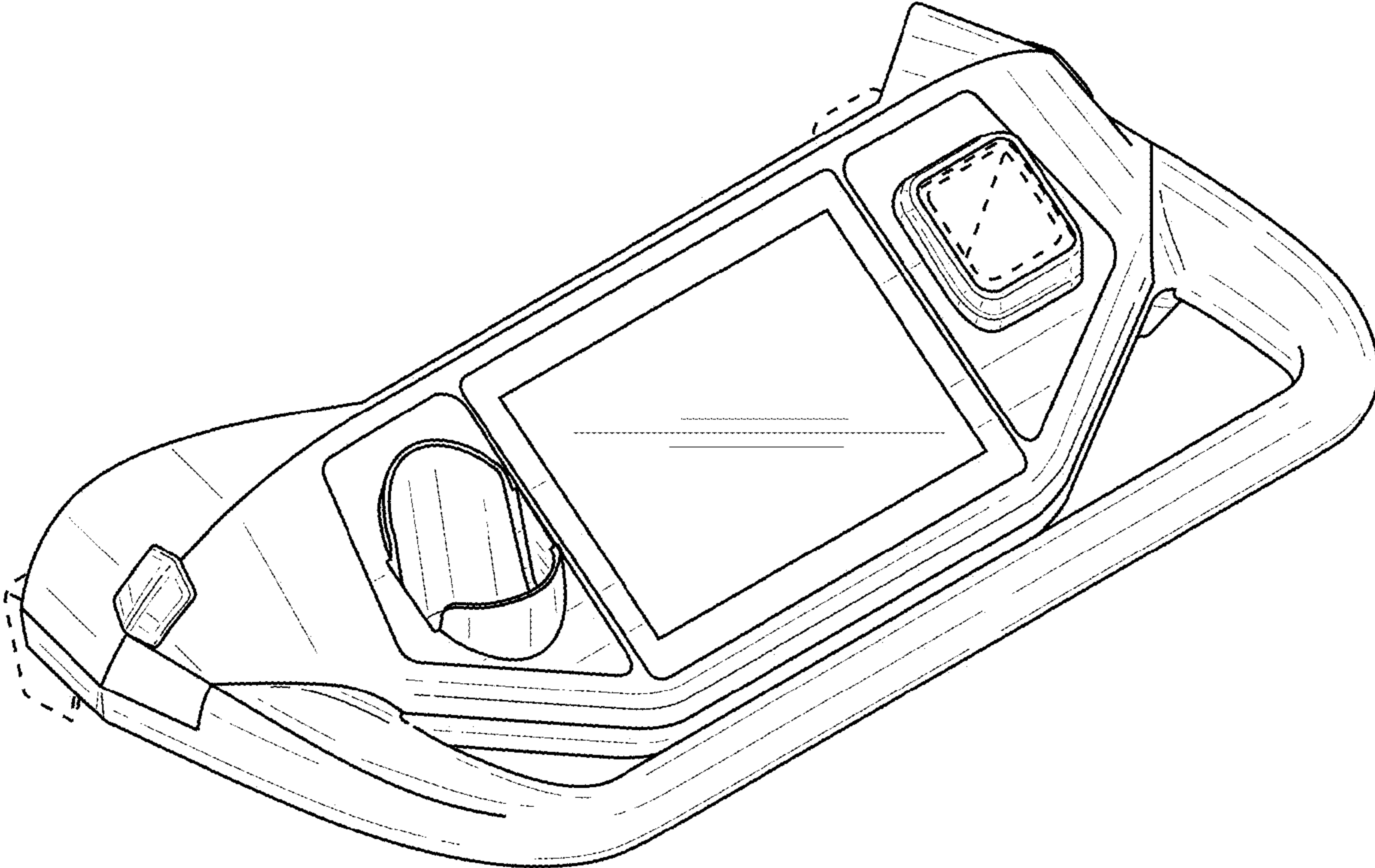


FIG. 16

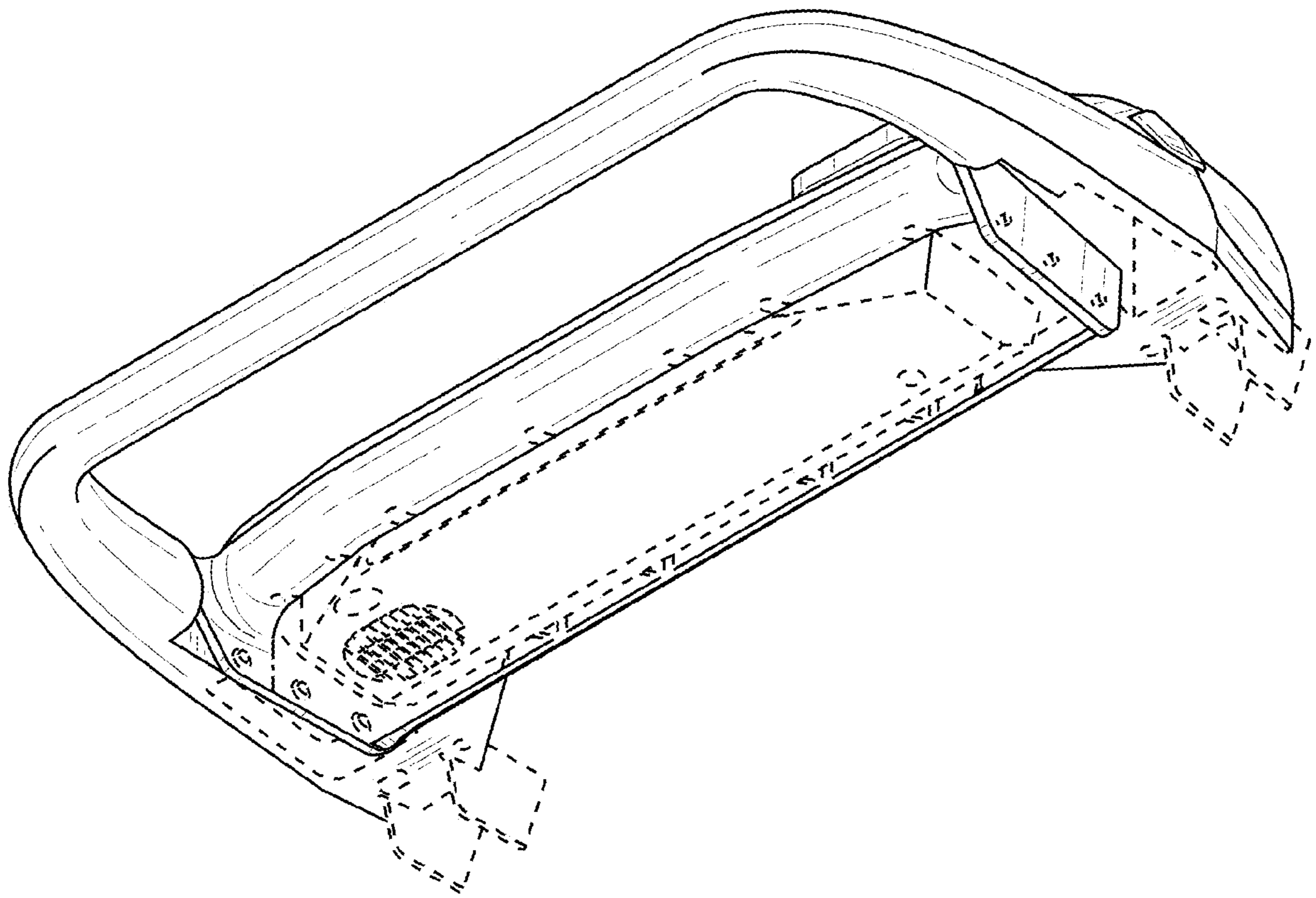


FIG. 17

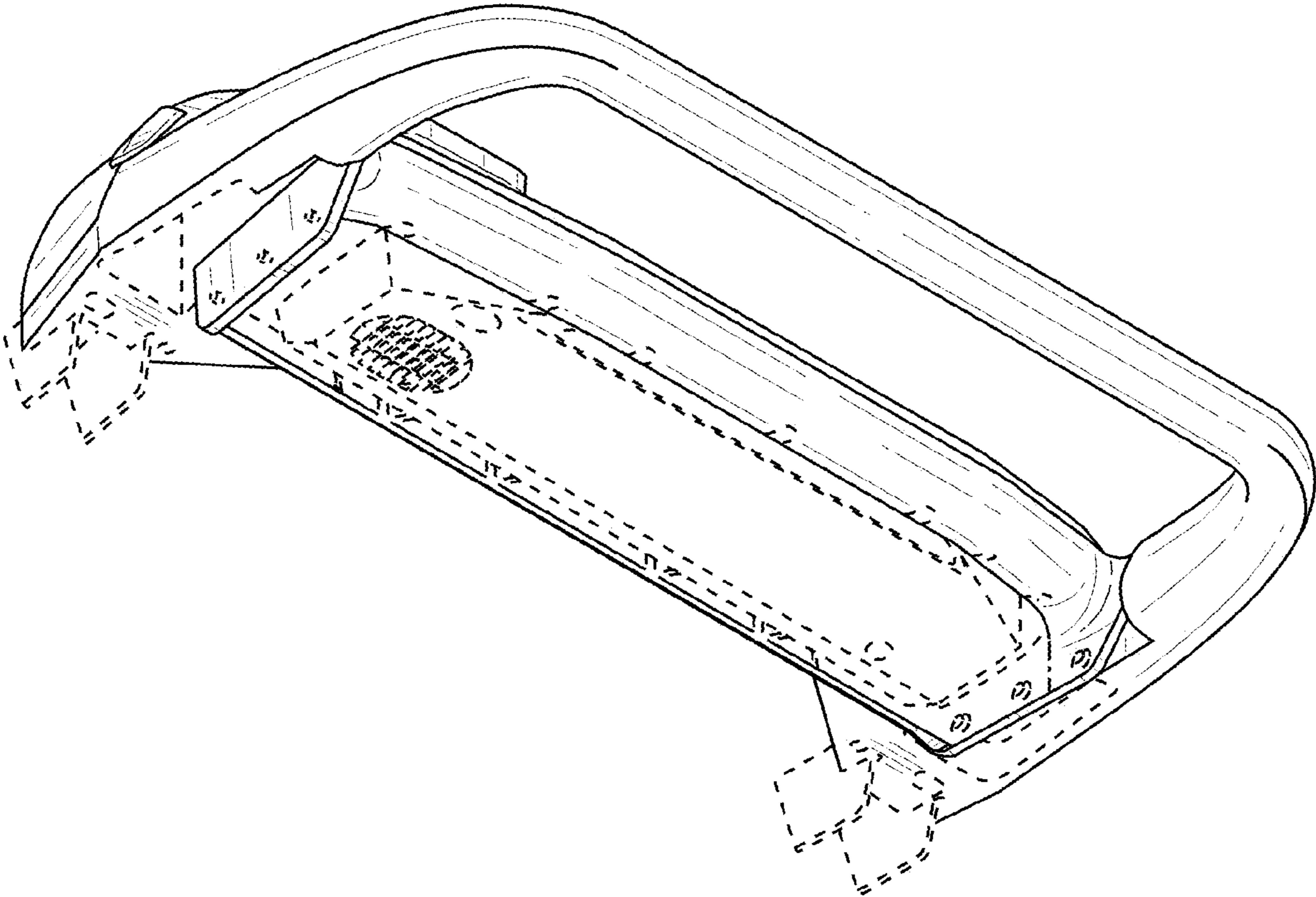


FIG. 18

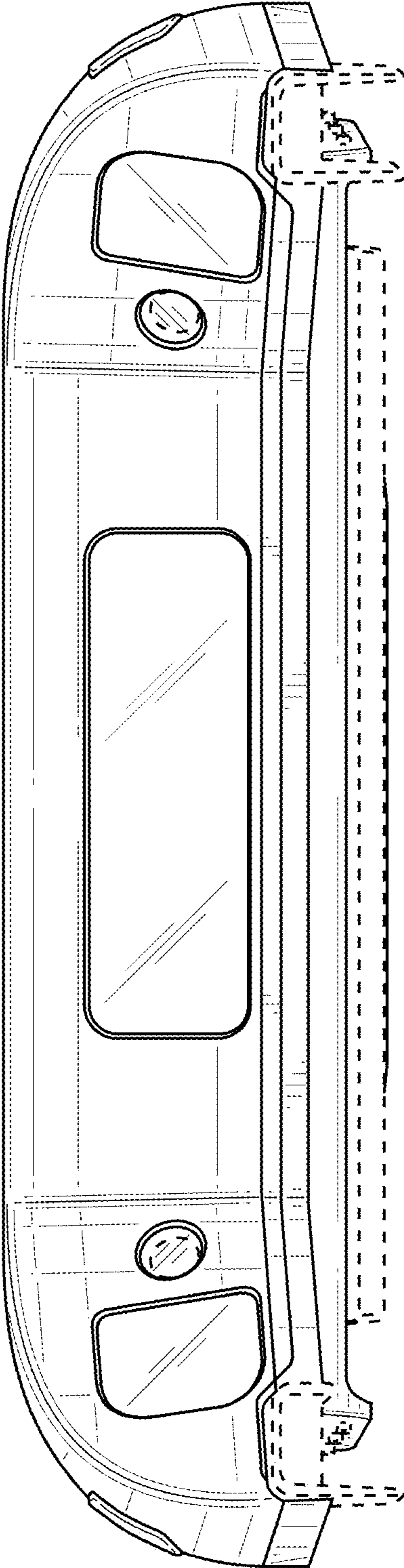


FIG. 19

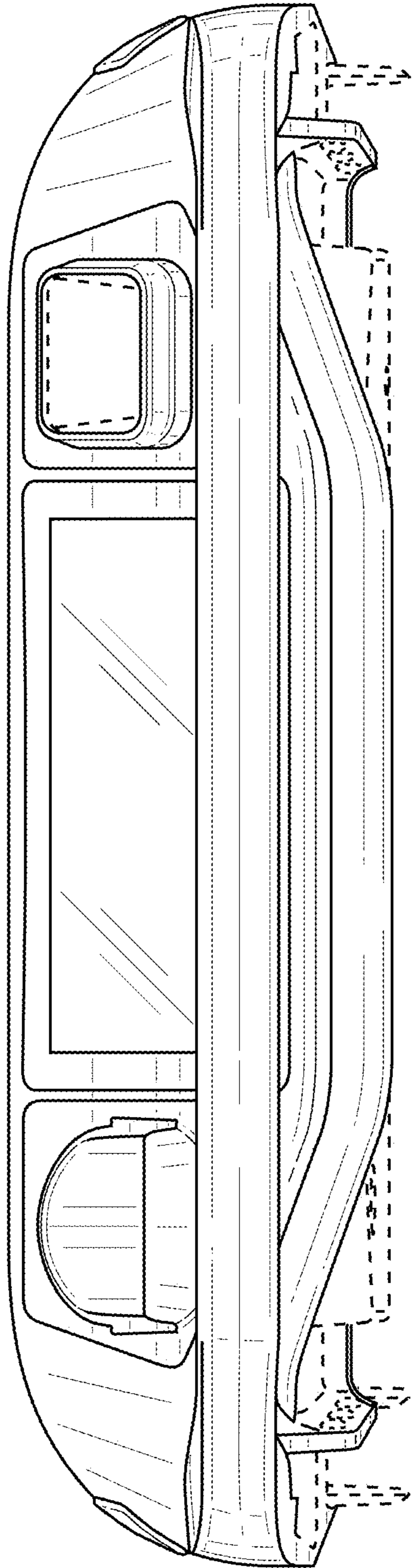


FIG. 20

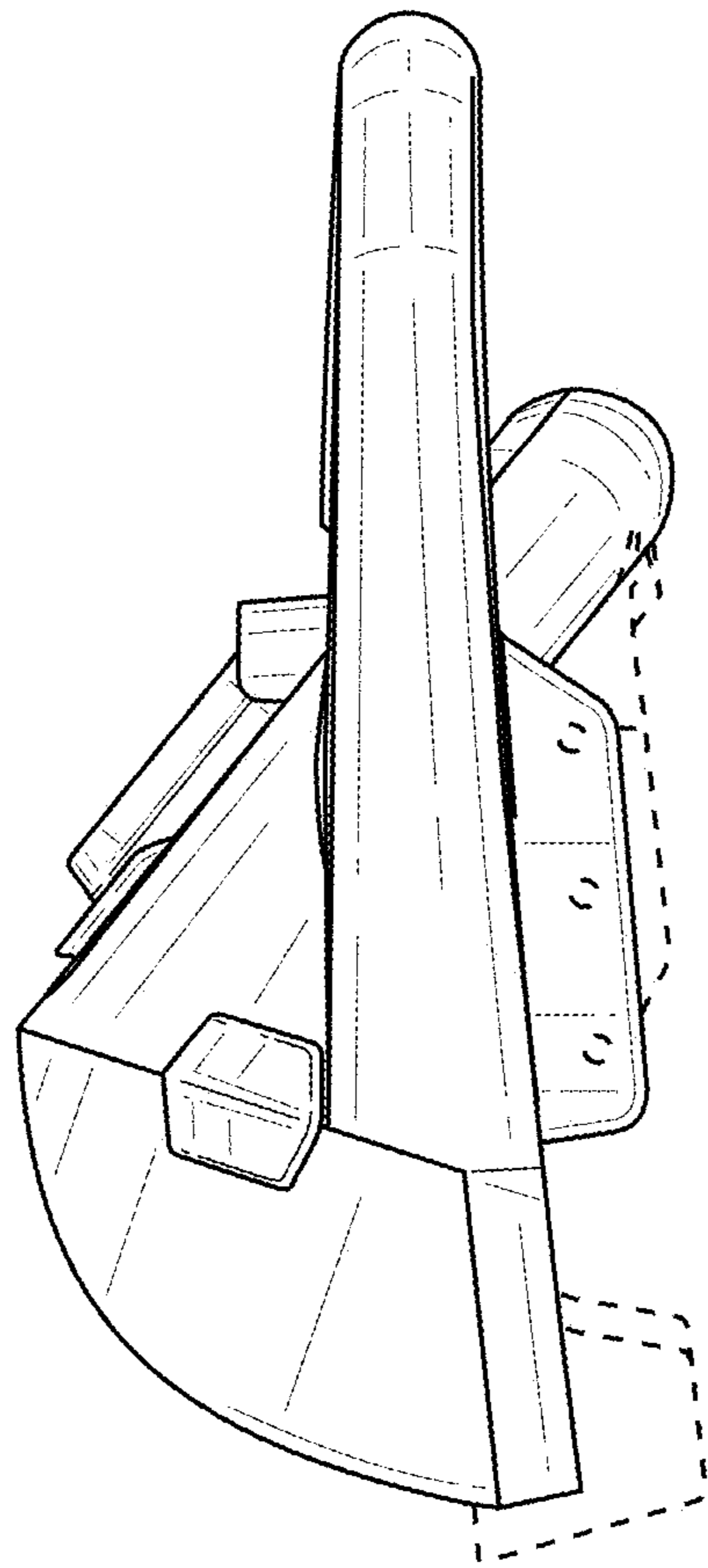


FIG. 21

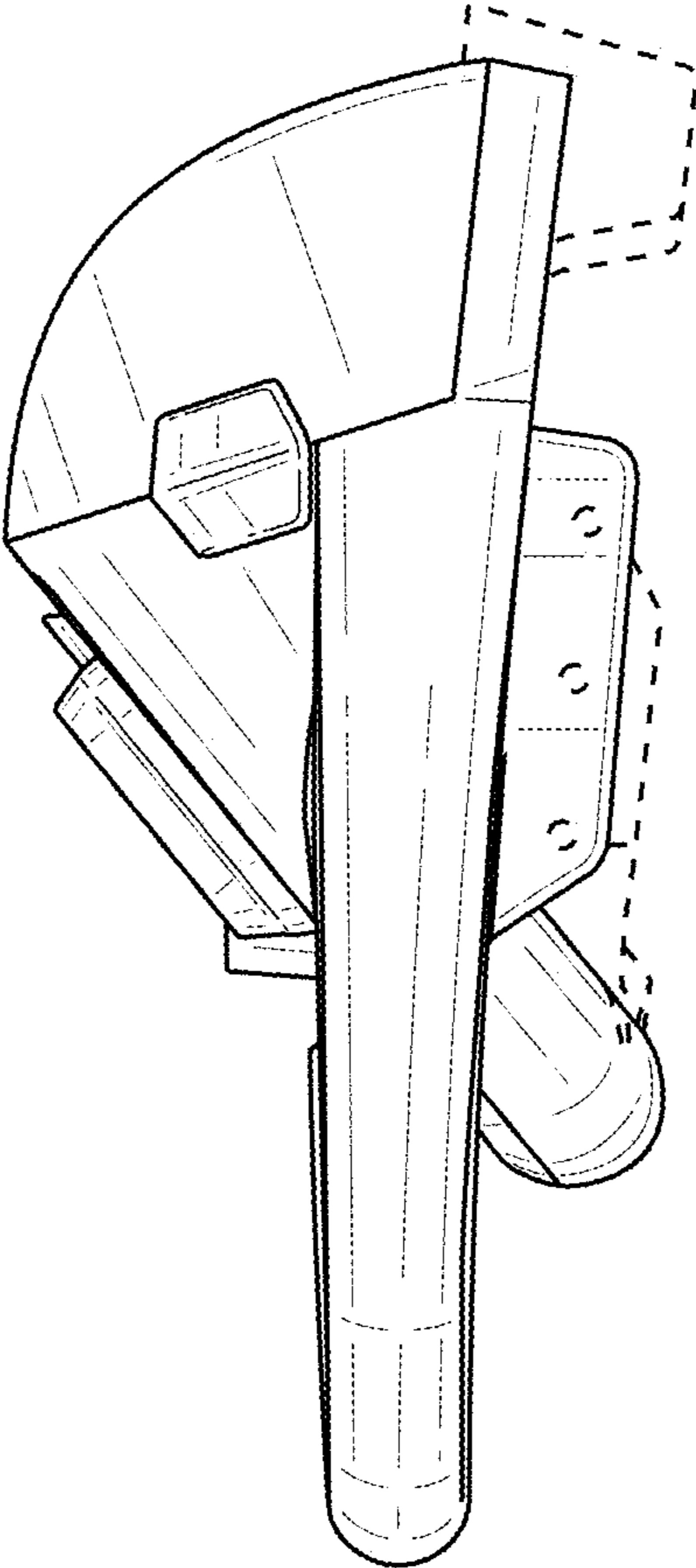


FIG. 22

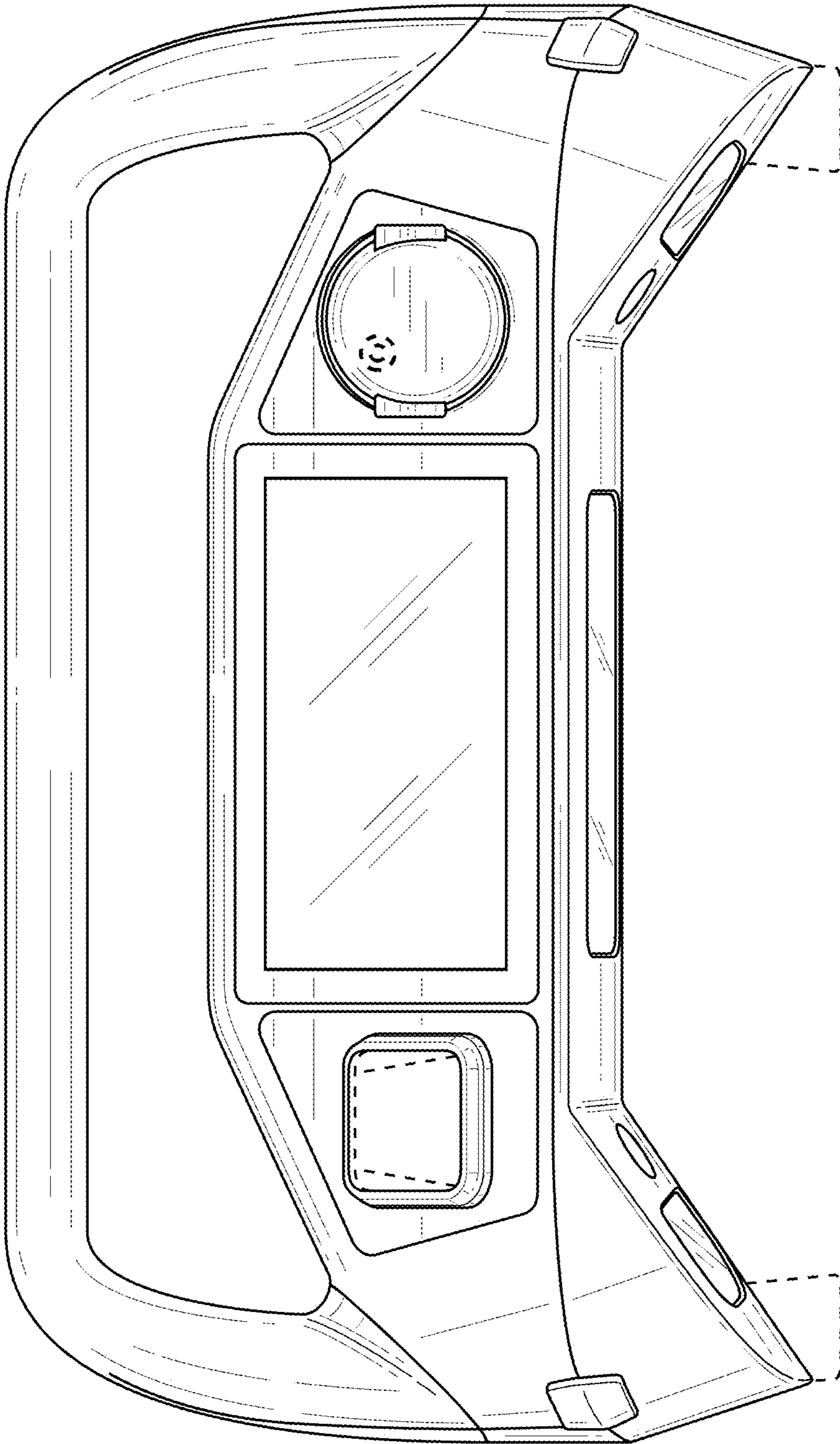


FIG. 23

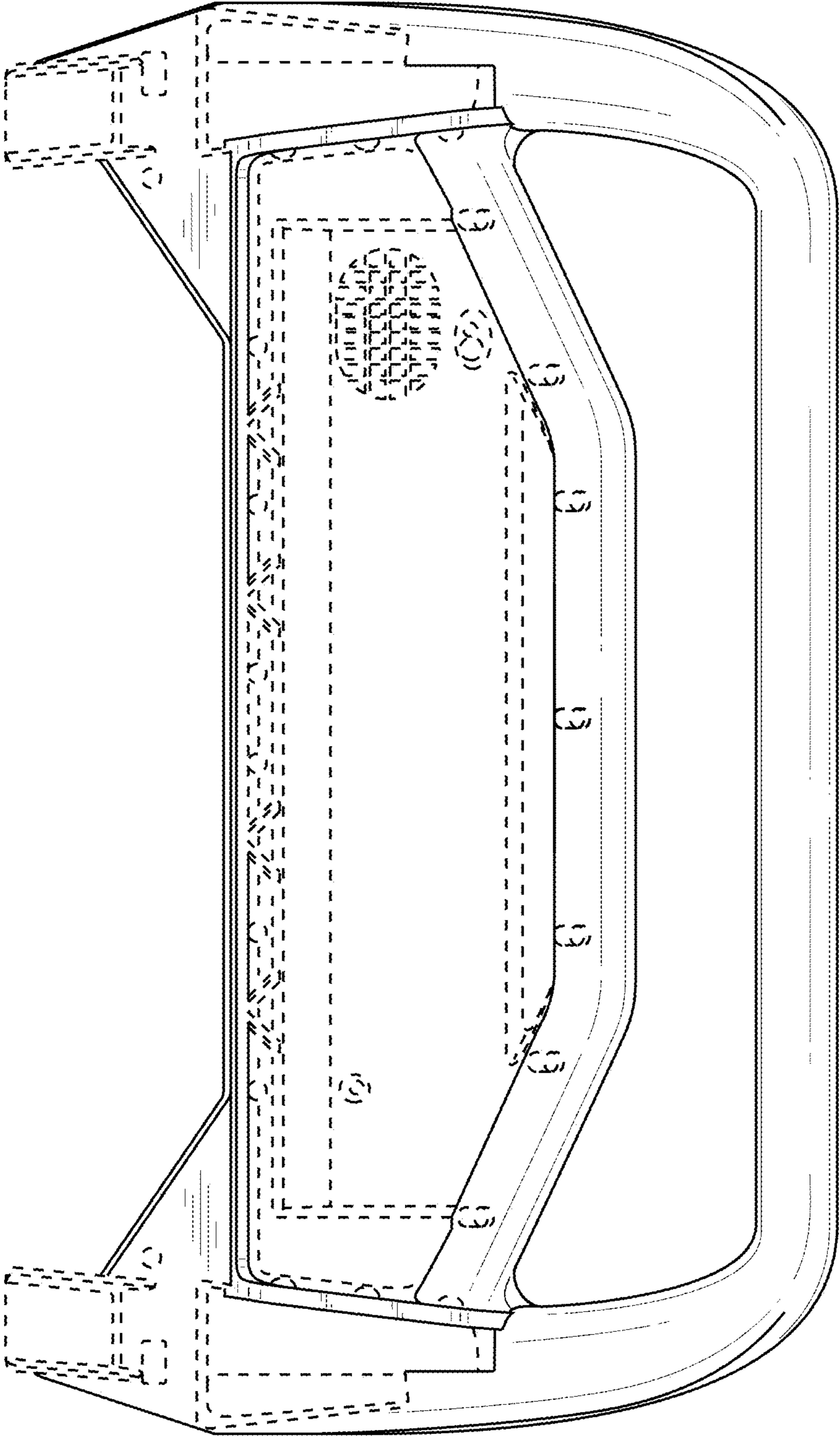


FIG. 24