



US00D937526S

(12) **United States Design Patent**  
**Kobayashi et al.**

(10) **Patent No.:** **US D937,526 S**

(45) **Date of Patent:** **\*\* Nov. 30, 2021**

- (54) **CART**
- (71) Applicant: **Tokyo Electron Limited**, Tokyo (JP)
- (72) Inventors: **Masahiro Kobayashi**, Iwate (JP);  
**Michihiro Takahashi**, Iwate (JP);  
**Harunari Hasegawa**, Iwate (JP);  
**Yoshihisa Kumagai**, Iwate (JP)
- (73) Assignee: **Tokyo Electron Limited**, Tokyo (JP)
- (\*\*) Term: **15 Years**
- (21) Appl. No.: **29/727,644**
- (22) Filed: **Mar. 12, 2020**
- (30) **Foreign Application Priority Data**

Sep. 20, 2019 (JP) ..... 2019-021154

(51) **LOC (13) Cl.** ..... **12-02**

(52) **U.S. Cl.**  
USPC ..... **D34/12**

(58) **Field of Classification Search**  
USPC ..... D34/12-27  
CPC .. B62B 3/00; B62B 3/02; B62B 3/002; B62B  
3/14; B62B 3/001; B62B 3/022; B62B  
3/027; B62B 3/12; B62B 3/005; B62B  
3/1404; B62B 1/12; B62B 5/0438; B60B  
29/00; B60B 29/002; B66F 9/12; B66F  
9/18; B66F 9/19; B66F 9/20  
See application file for complete search history.

(56) **References Cited**

**U.S. PATENT DOCUMENTS**

D162,163 S *	2/1951	Hewitt	.....	D34/26
D219,581 S *	12/1970	Parsons	.....	D34/24
D219,649 S *	1/1971	Saleman	.....	D34/17
D240,297 S *	6/1976	Trubiano	.....	D12/129
D289,578 S *	4/1987	Ruffin	.....	D34/17

D576,372 S *	9/2008	Walter	.....	D34/17
D580,617 S *	11/2008	Walter	.....	D34/12
D669,242 S *	10/2012	Baldemor	.....	D34/12
8,444,166 B1 *	5/2013	Jarvis	.....	B62B 3/02 280/415.1
D685,154 S *	6/2013	Ambrefe, Jr.	.....	D34/12
D810,378 S *	2/2018	Walter	.....	D34/12
D826,507 S *	8/2018	Wernberg	.....	D34/12
D862,025 S *	10/2019	Walter	.....	D34/12
2015/0014965 A1 *	1/2015	Gibson	.....	B62B 1/002 280/651
2015/0360707 A1 *	12/2015	Gullino	.....	B62B 3/02 280/659
2016/0264164 A1 *	9/2016	Hull	.....	B62B 3/02
2017/0072978 A1 *	3/2017	Kopp	.....	B62B 3/001
2017/0341667 A1 *	11/2017	Kalinowski	.....	B62B 3/001
2018/0085907 A1 *	3/2018	Wilson	.....	B62B 3/022
2018/0153755 A1 *	6/2018	Kottmann	.....	A61G 13/06

(Continued)

*Primary Examiner* — Cynthia Ramirez

(74) *Attorney, Agent, or Firm* — IPUSA, PLLC

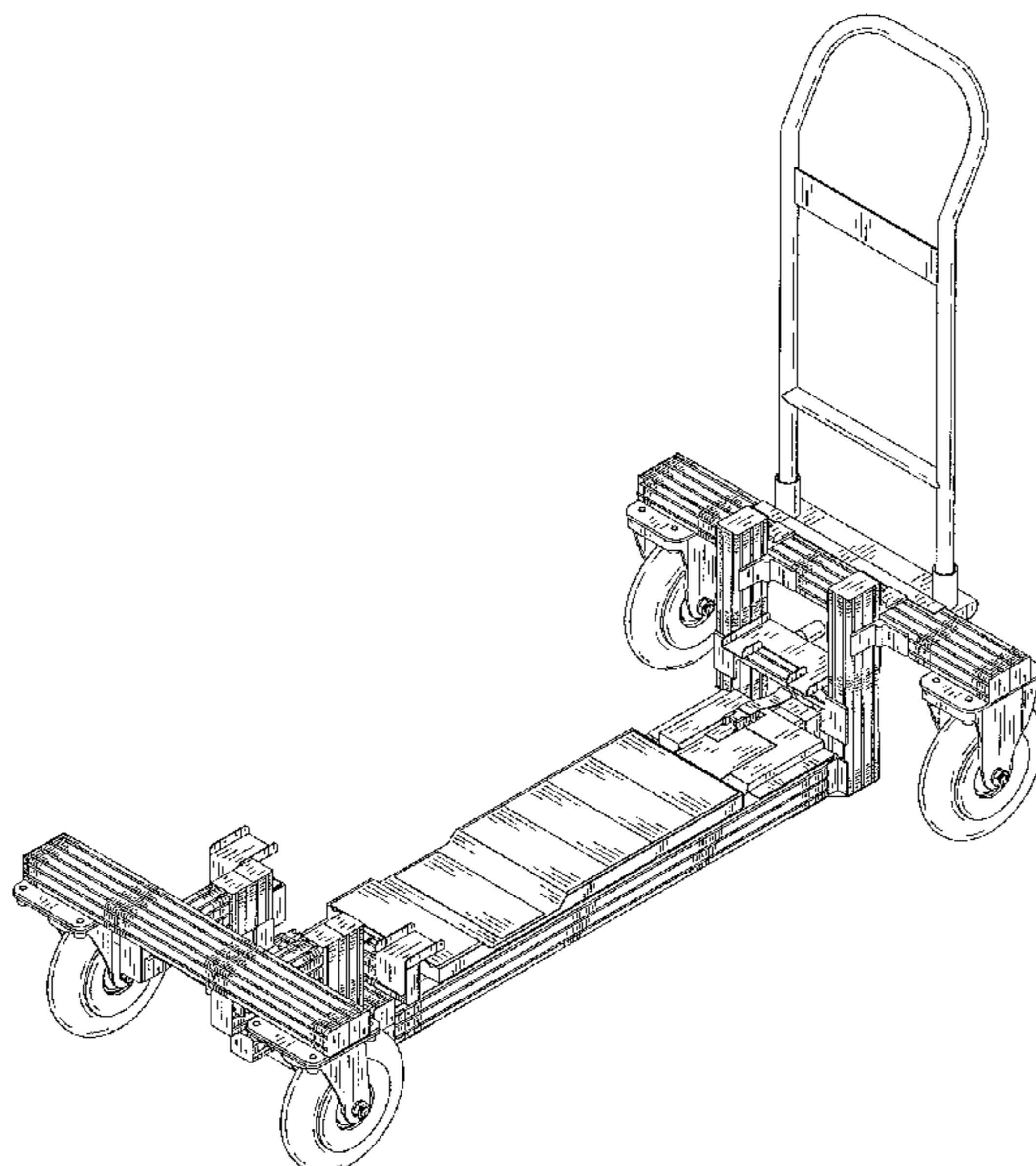
(57) **CLAIM**

The ornamental design for a cart, as shown and described.

**DESCRIPTION**

FIG. 1 is a perspective view of a cart, showing our new design;  
 FIG. 2 is a perspective view thereof, showing the table lifted up;  
 FIG. 3 is a front view thereof;  
 FIG. 4 is a rear view thereof;  
 FIG. 5 is a top plan view thereof;  
 FIG. 6 is a bottom plan view thereof;  
 FIG. 7 is a right side view, the left side being a mirror image thereof; and,  
 FIG. 8 is a right side view thereof, showing the table lifted up.  
 Broken lines in the figures show portions of the cart which form no part of the claimed design.

**1 Claim, 8 Drawing Sheets**



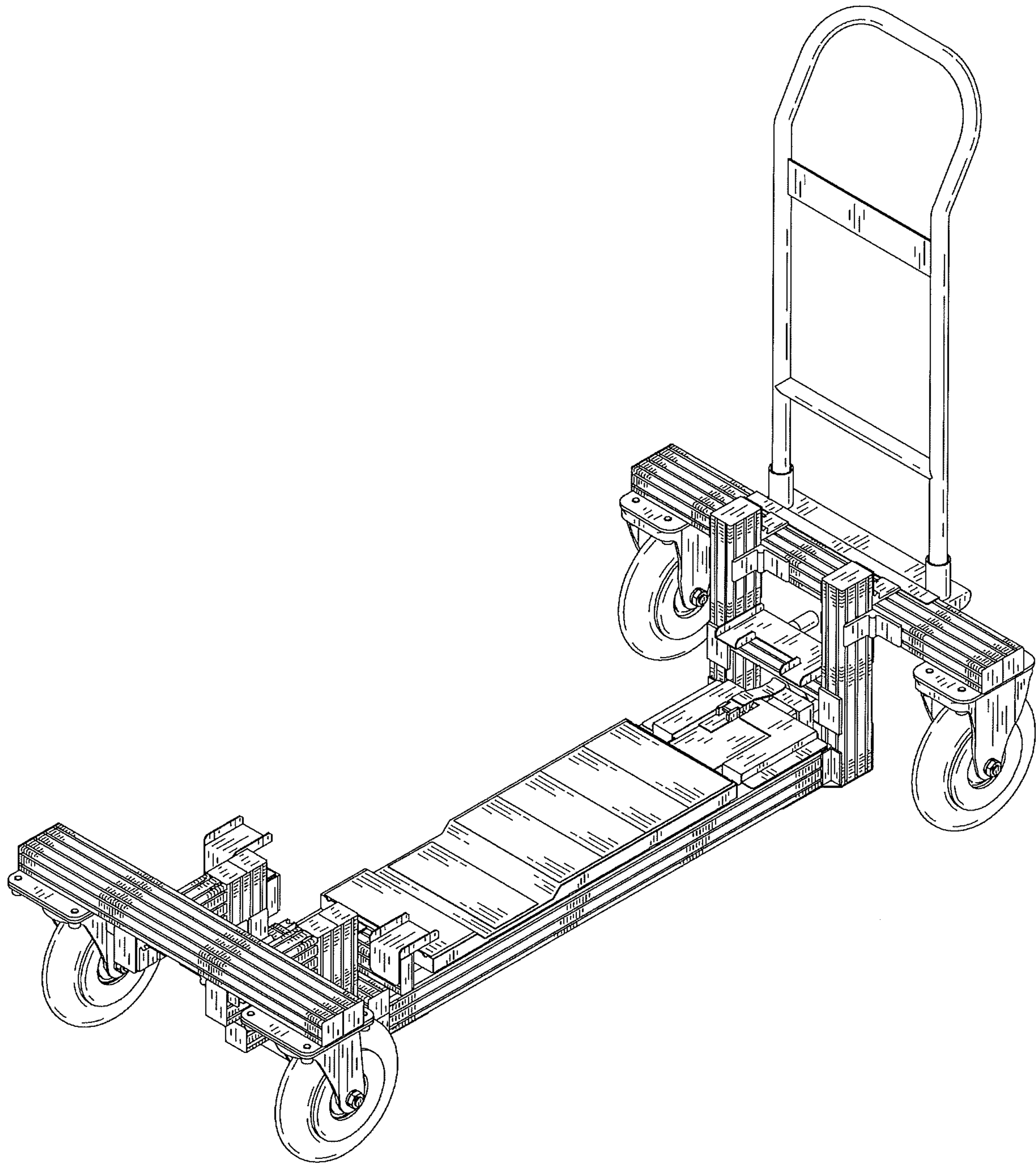
(56)

**References Cited**

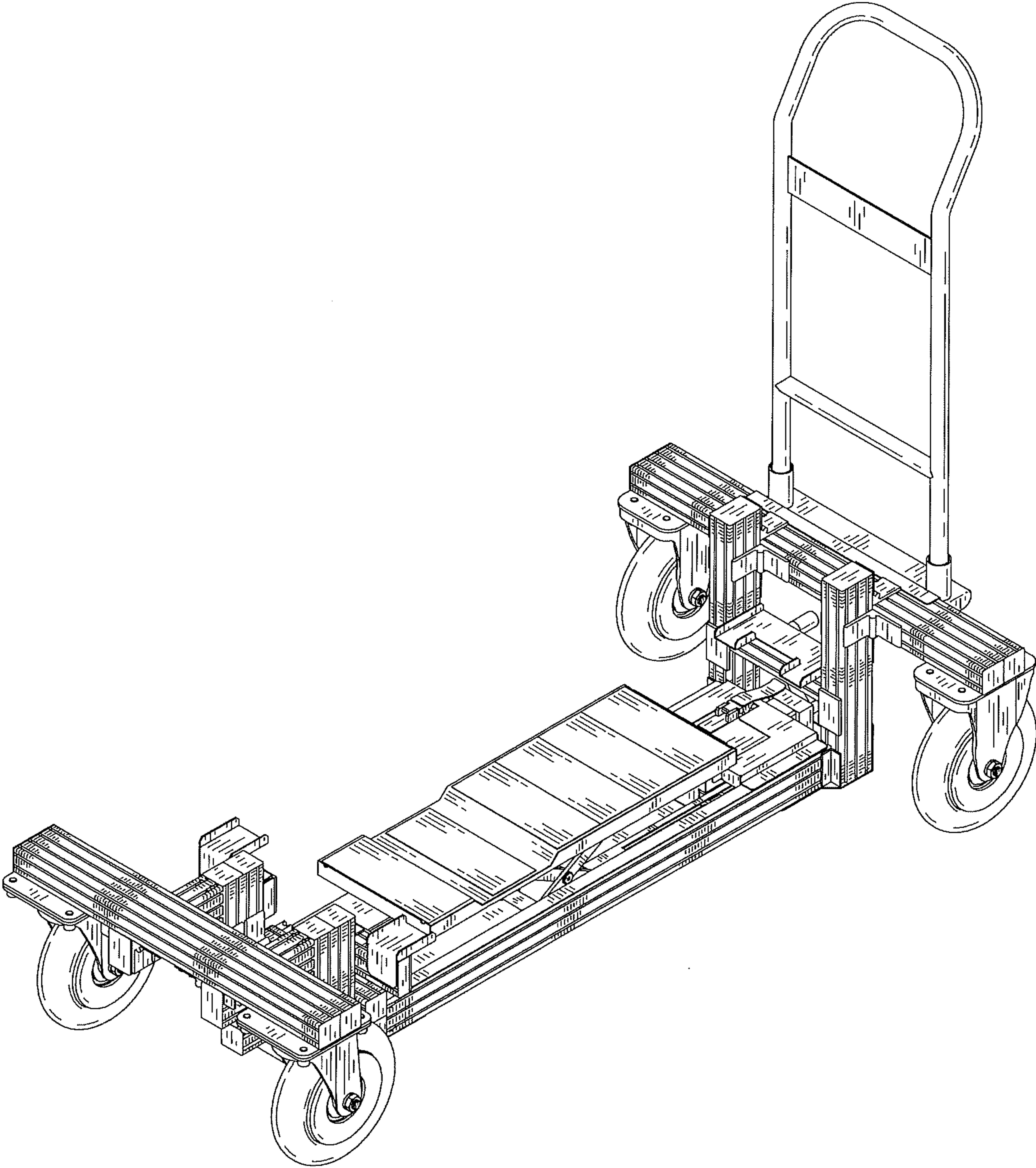
U.S. PATENT DOCUMENTS

2020/0070864 A1\* 3/2020 Mackey ..... B62B 3/10  
2020/0324799 A1\* 10/2020 Ritucci ..... B62B 3/007

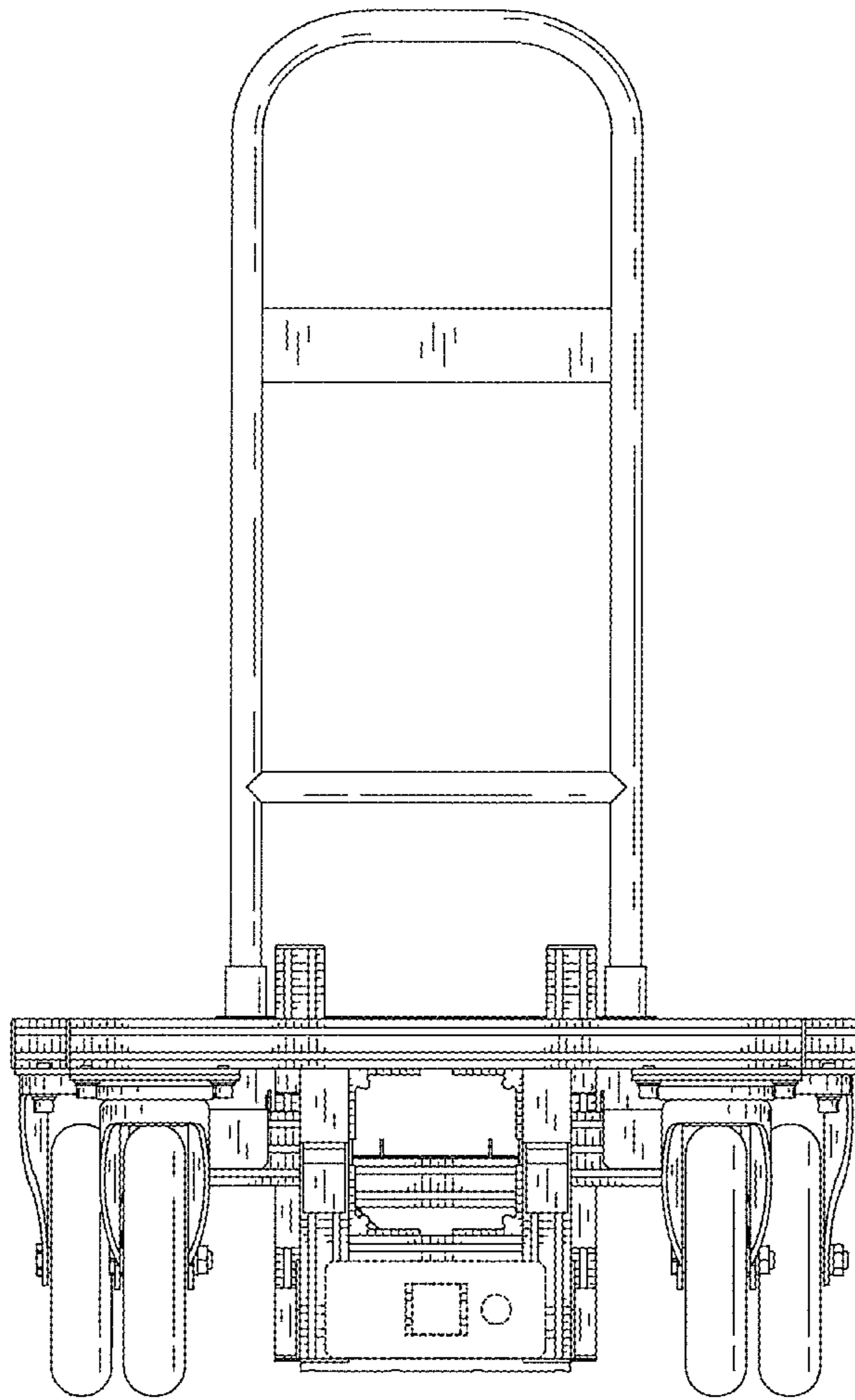
\* cited by examiner



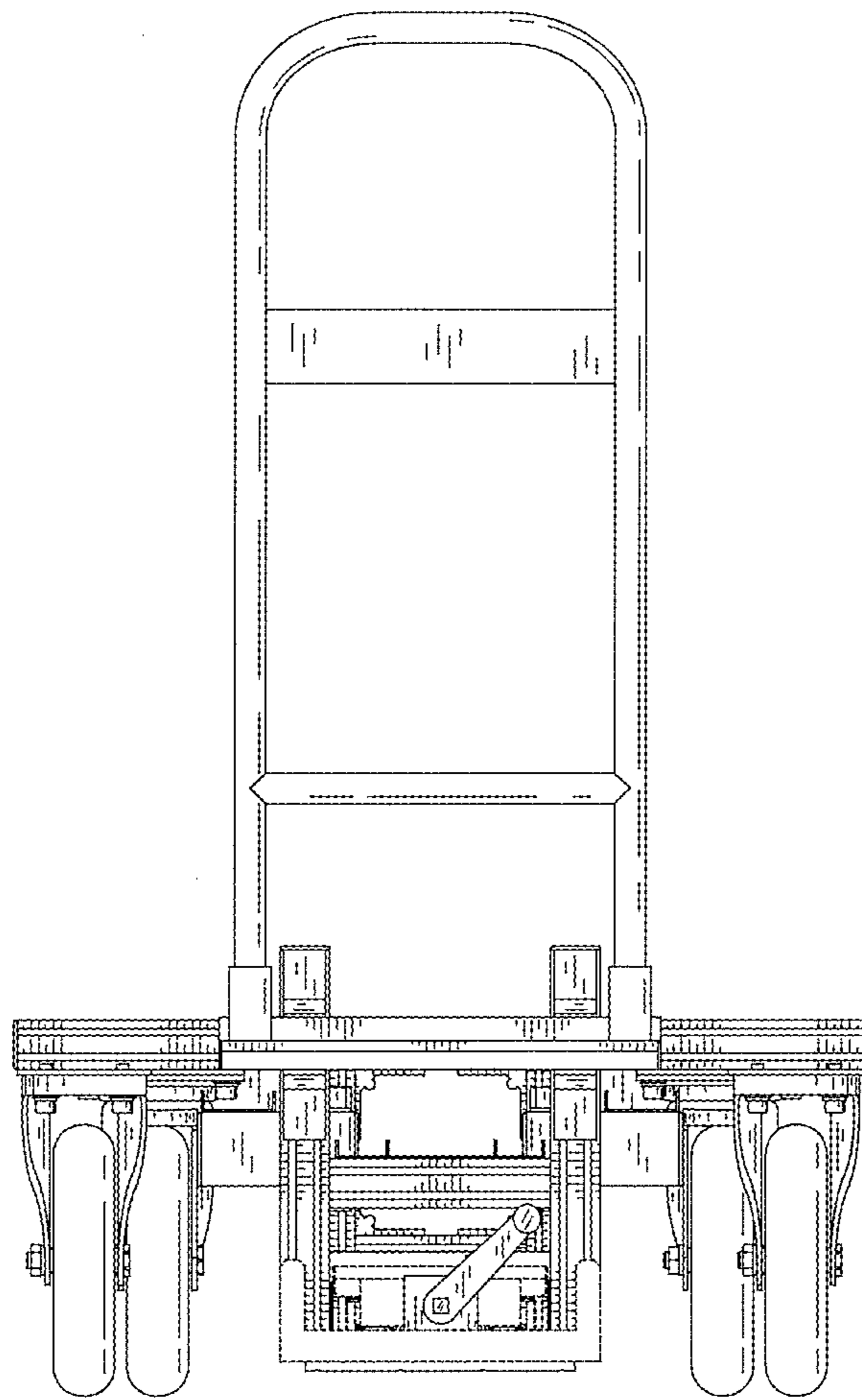
*Fig. 1*



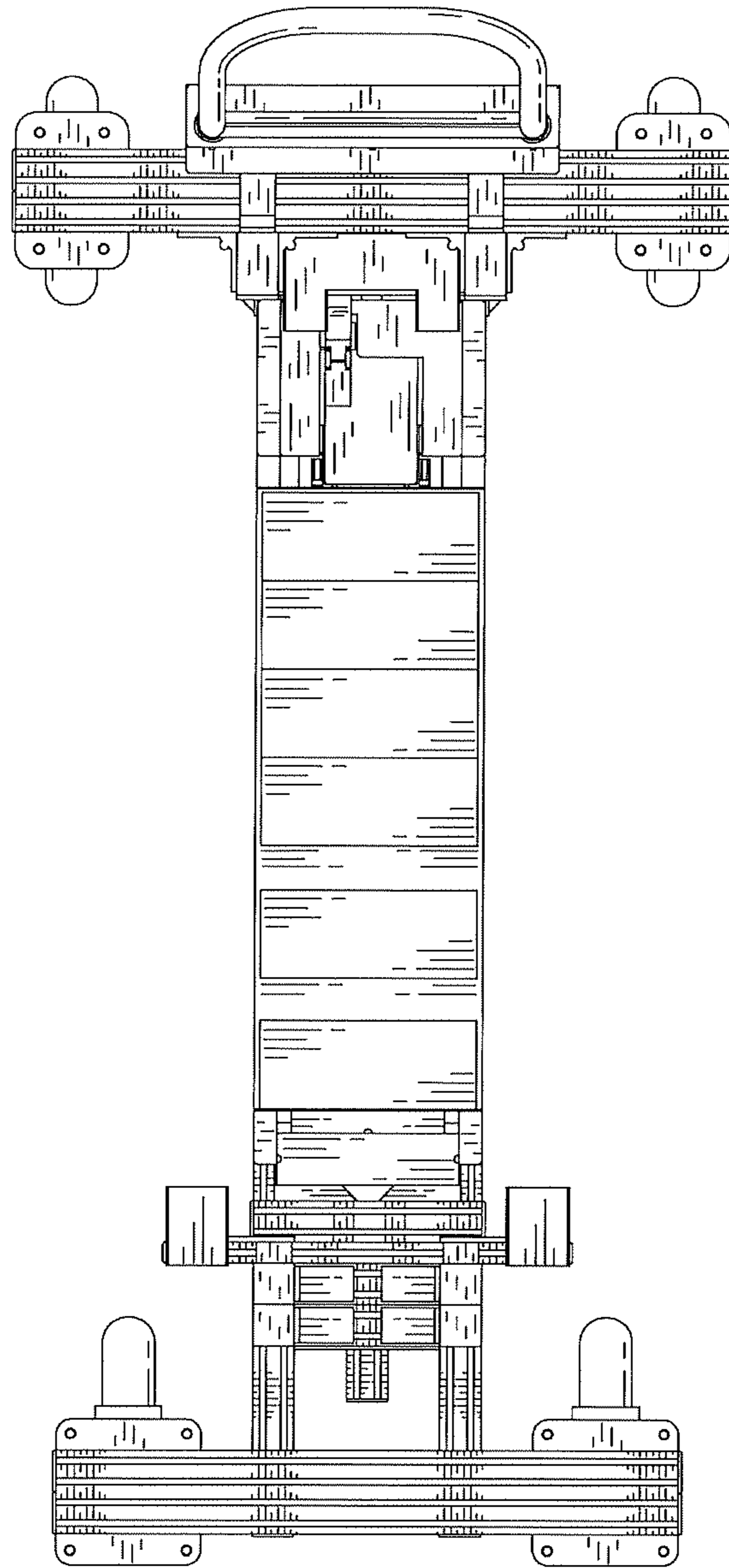
*Fig. 2*



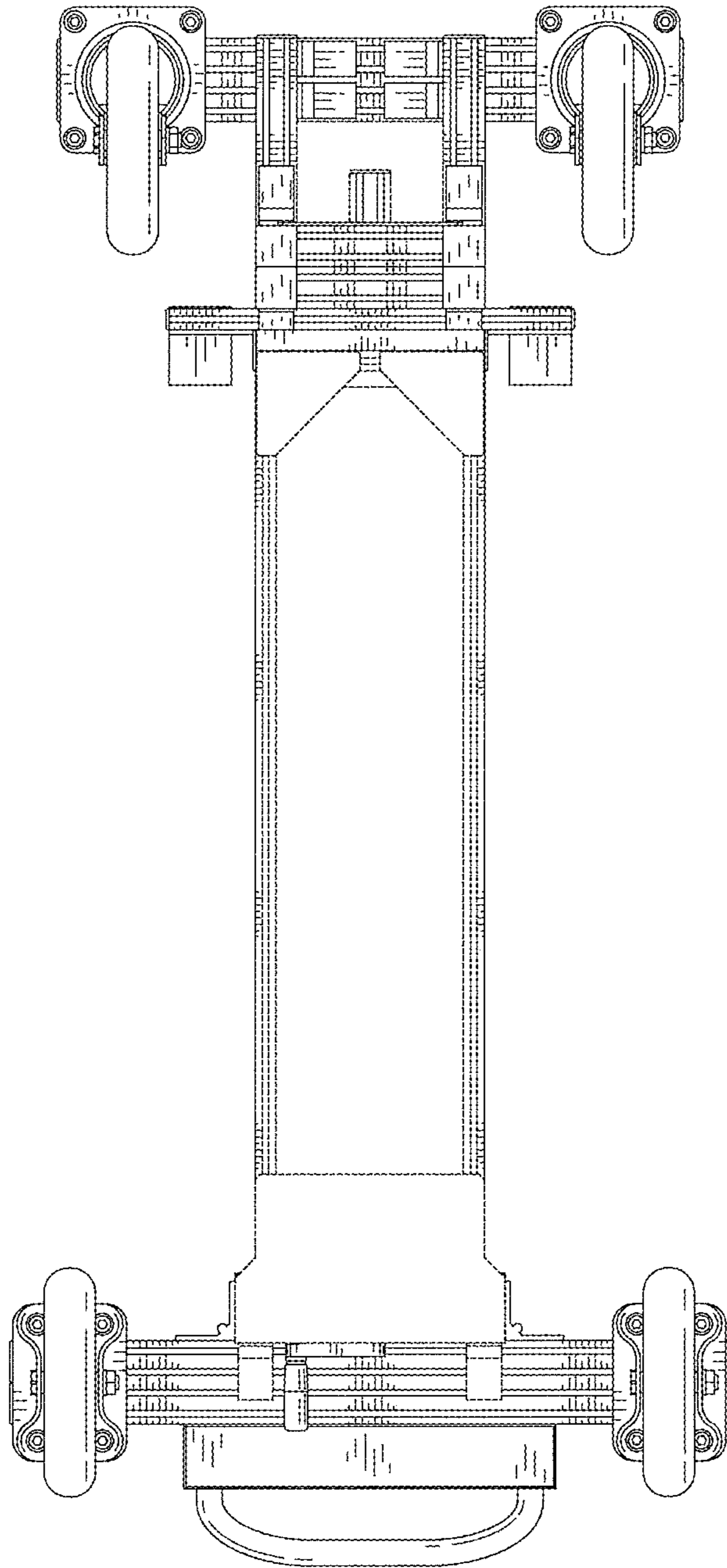
*Fig. 3*



*Fig. 4*

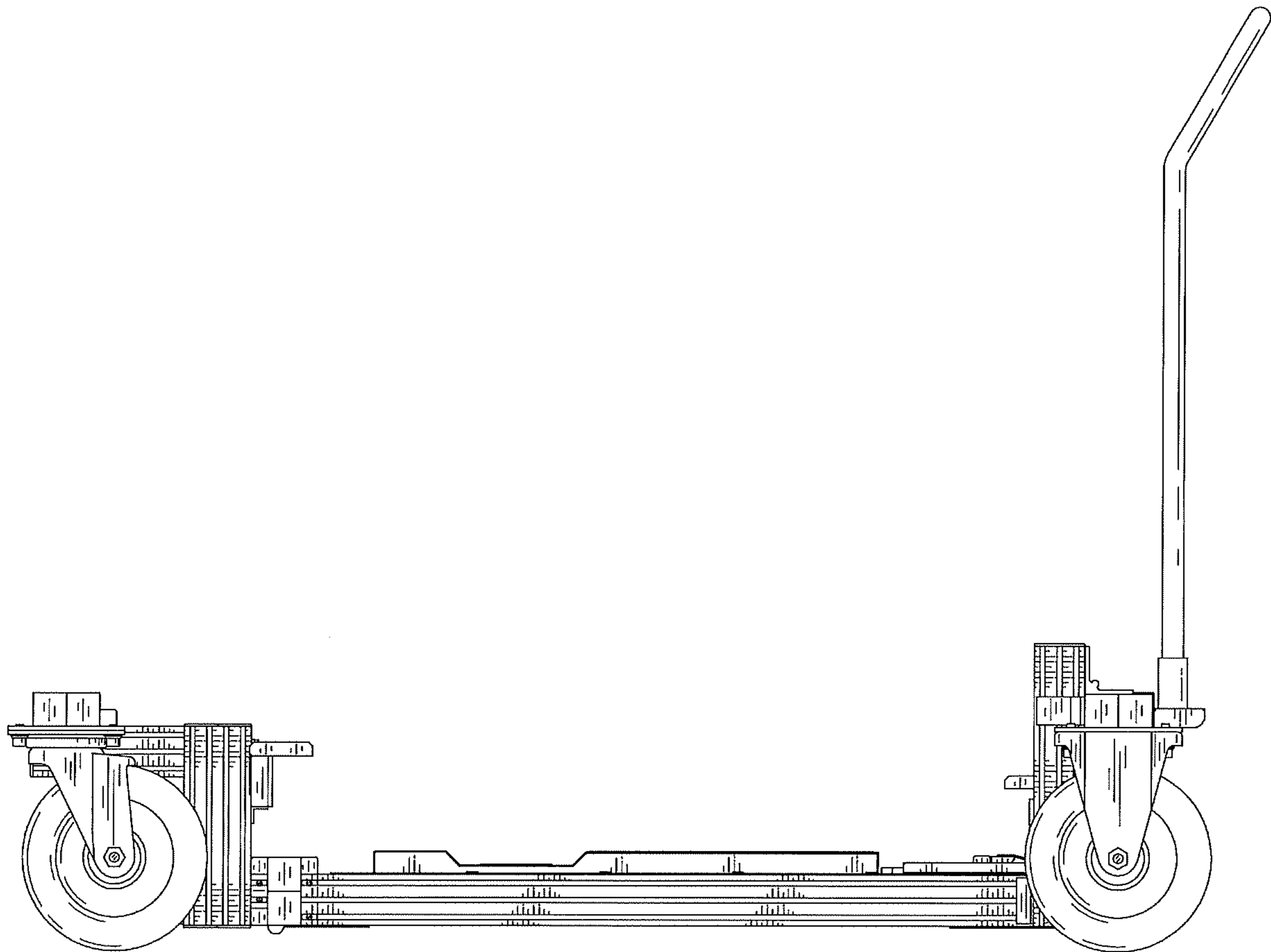


*Fig. 5*

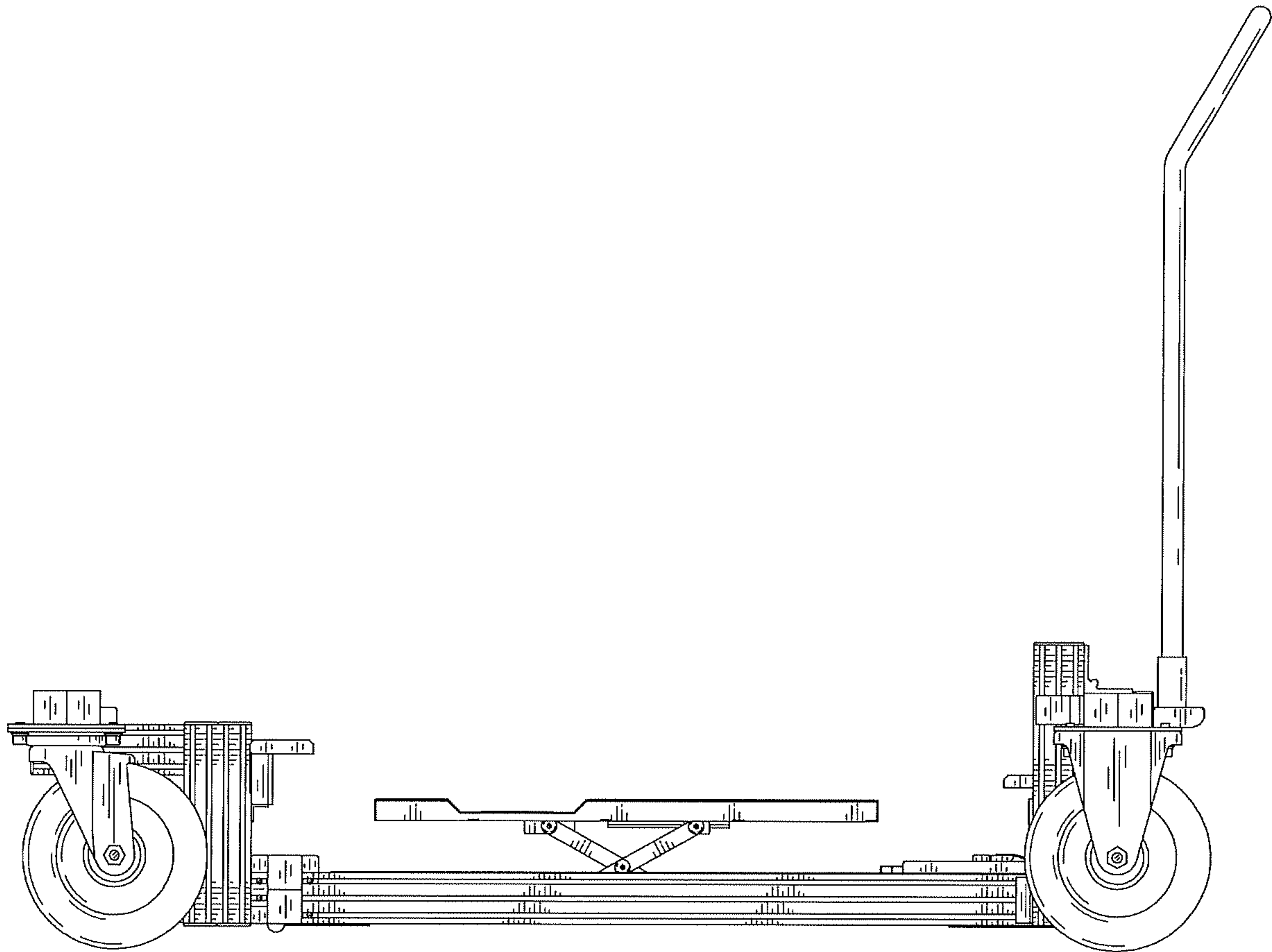


*Fig. 6*





*Fig. 7*



*Fig. 8*