

US00D937525S

(12) **United States Design Patent** (10) **Patent No.:** **US D937,525 S**
Armando (45) **Date of Patent:** **** Nov. 30, 2021**

(54) **GARBAGE CAN**
(71) Applicant: **Nord Engineering S.r.l.**, Caraglio (IT)
(72) Inventor: **Massimo Armando**, Frazione San Benigno (IT)
(73) Assignee: **Nord Engineering S.r.l.**, Caraglio (IT)
(**) Term: **15 Years**

D445,234 S * 7/2001 Isaacs D3/294
D545,521 S * 6/2007 Titas D34/7
7,395,990 B1 * 7/2008 Stevens B65F 1/062
248/97
D597,721 S * 8/2009 Brockington D34/7
D665,551 S * 8/2012 Grand D34/7
D793,021 S * 7/2017 Villiger D34/7
D836,714 S * 12/2018 Clark, III D18/57
D903,214 S * 11/2020 Williams D32/21

(21) Appl. No.: **35/509,401**
(22) Filed: **May 4, 2020**

FOREIGN PATENT DOCUMENTS
EM 007184684-0001 * 11/2019

(80) **Hague Agreement Data**
Int. Filing Date: **May 4, 2020**
Int. Reg. No.: **DM/208025**
Int. Reg. Date: **May 4, 2020**
Int. Reg. Pub. Date: **May 22, 2020**

OTHER PUBLICATIONS
Nord Engineering srl Périgueux, the new NExT containers were presented, Dec. 10, 2019, [online], [site visited Apr. 30, 2021]. Retrieved from url:https://www.nordengineering.com/en/perigueux-the-new-next-containers-were-presented/ (Year: 2019).*

(30) **Foreign Application Priority Data**
Nov. 5, 2019 (EM) 007184684

* cited by examiner
Primary Examiner — Michelle E. Wilson
Assistant Examiner — Tracey J Bell
(74) *Attorney, Agent, or Firm* — Workman Nydegger

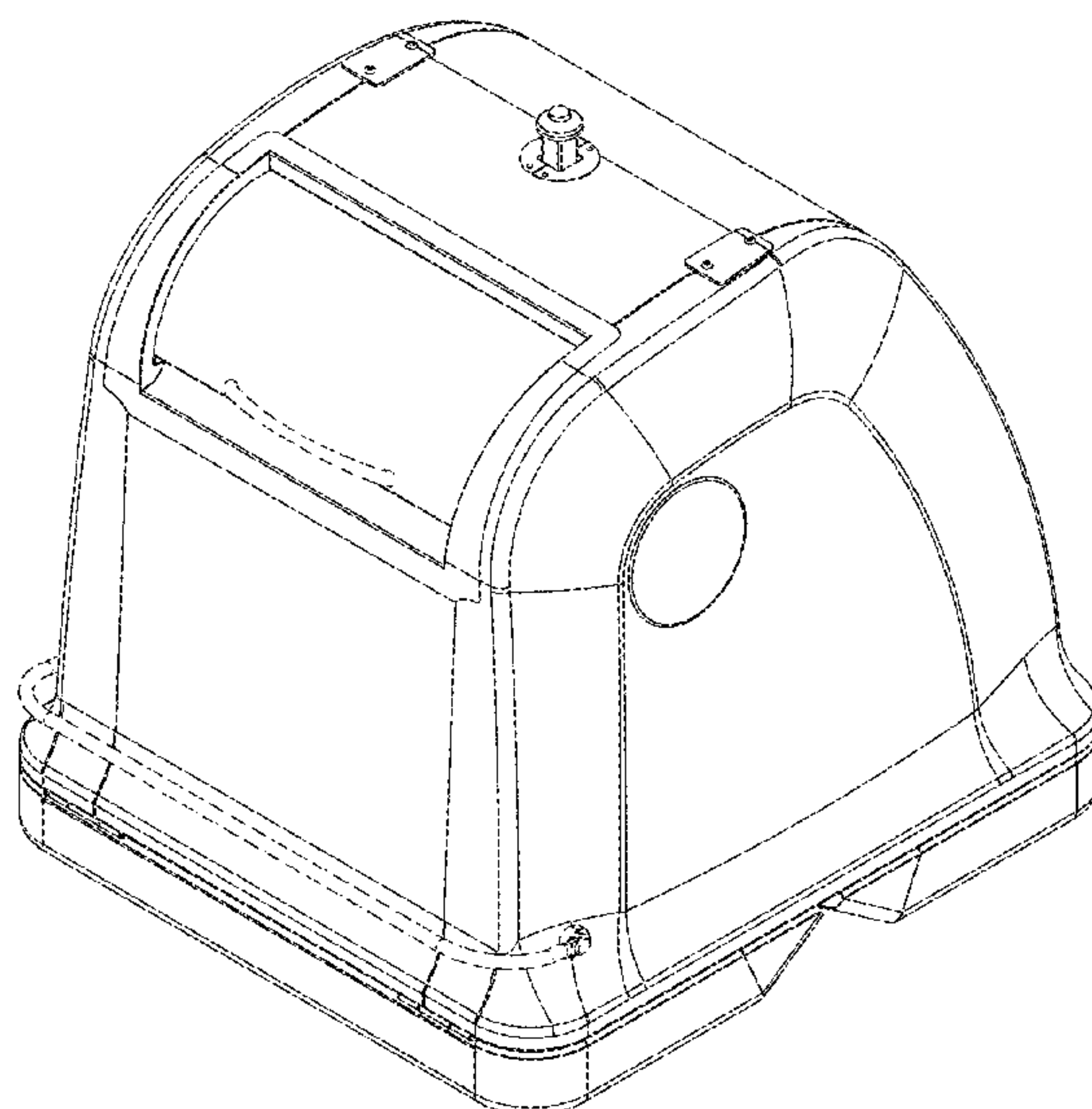
(51) **LOC (13) Cl.** **09-09**
(52) **U.S. Cl.**
USPC **D34/7**
(58) **Field of Classification Search**
USPC D34/1-11; D99/28-29
CPC B65F 1/00; B65F 1/12; Y10S 220/908
See application file for complete search history.

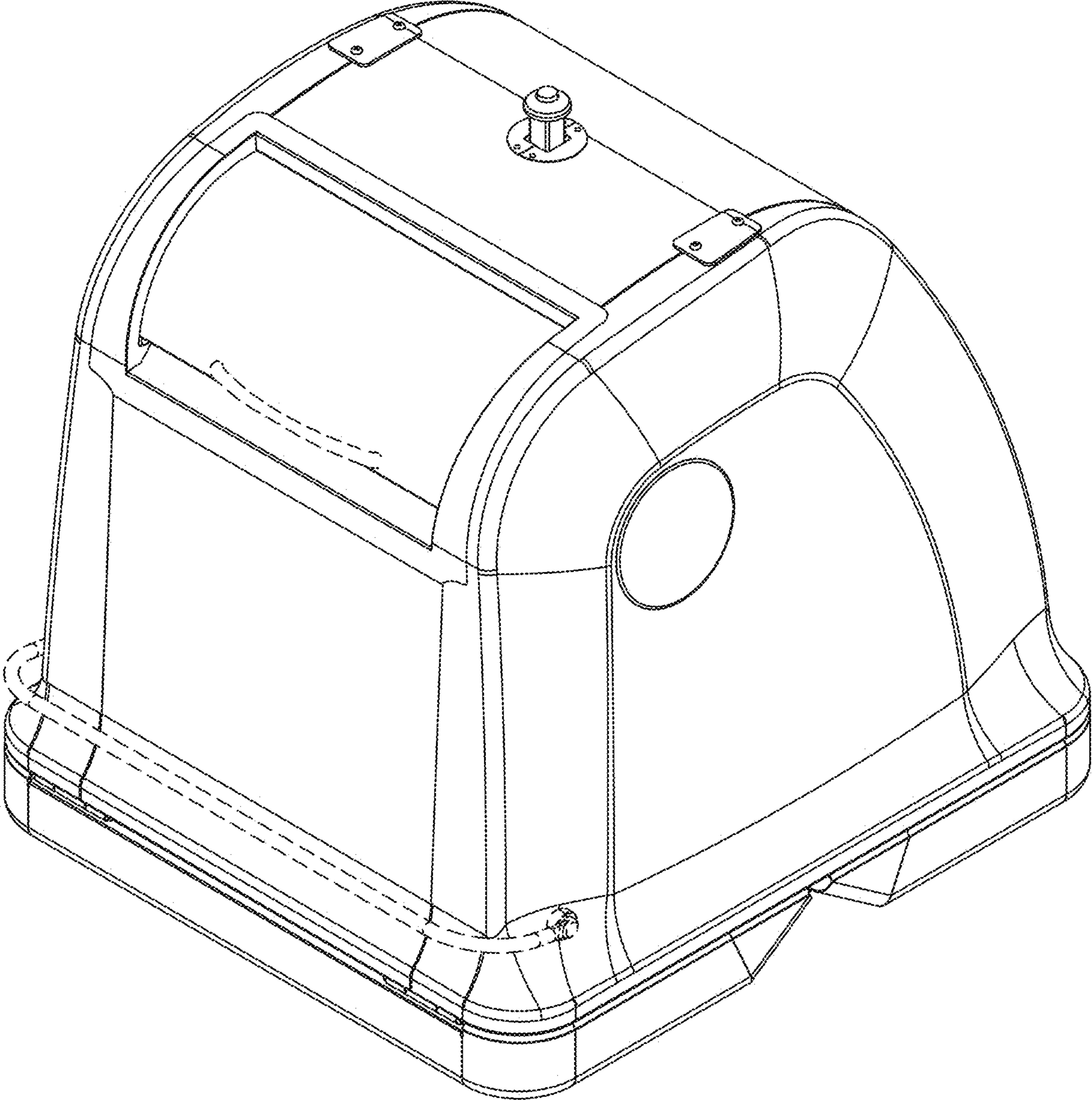
(57) **CLAIM**
The ornamental design for a garbage can, as shown and described.

(56) **References Cited**
U.S. PATENT DOCUMENTS
D65,743 S * 10/1924 Hurdman D34/8
D183,490 S * 9/1958 Jones D34/9
2,977,175 A * 3/1961 Bonomo B65F 1/1436
312/328
D391,728 S * 3/1998 Delmerico 220/908
D442,637 S * 5/2001 Dorrell D19/69

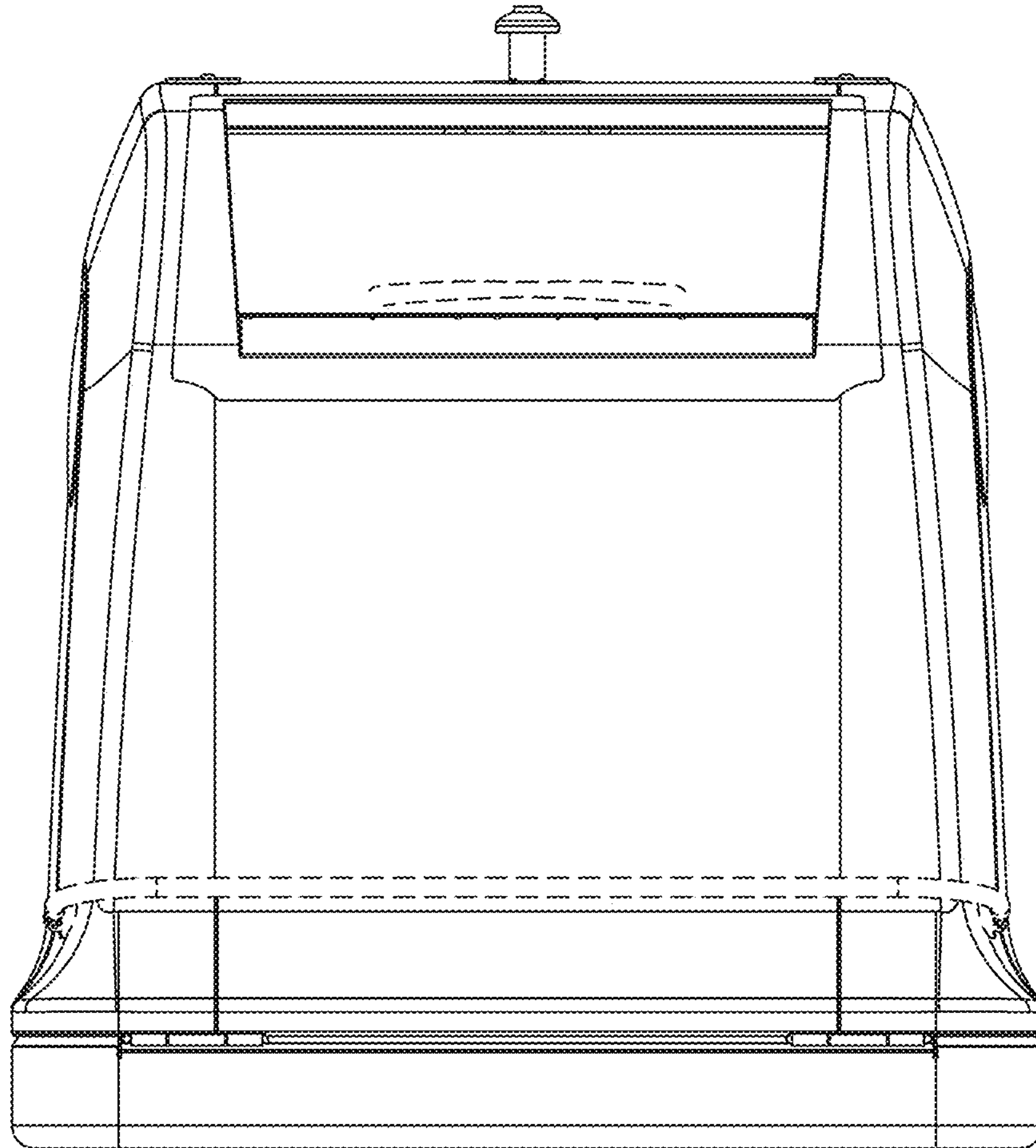
DESCRIPTION
1. Garbage can
1.1 is a perspective view;
1.2 is a front view;
1.3 is a rear view;
1.4 is a left side view;
1.5 is a right side view; and
1.6 is a top view.
The broken lines depict portions of the garbage can that form no part of the claimed design.

1 Claim, 6 Drawing Sheets

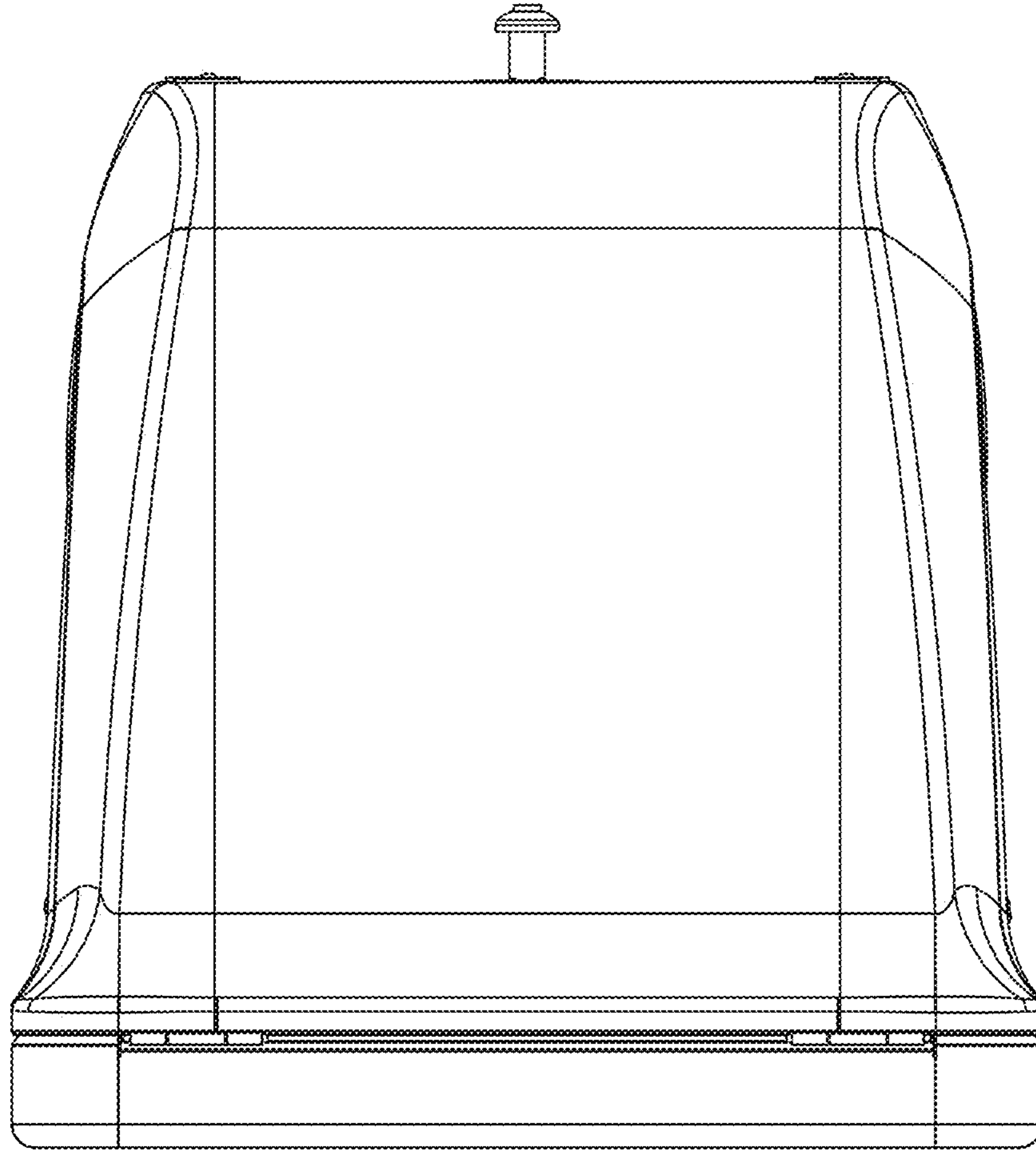




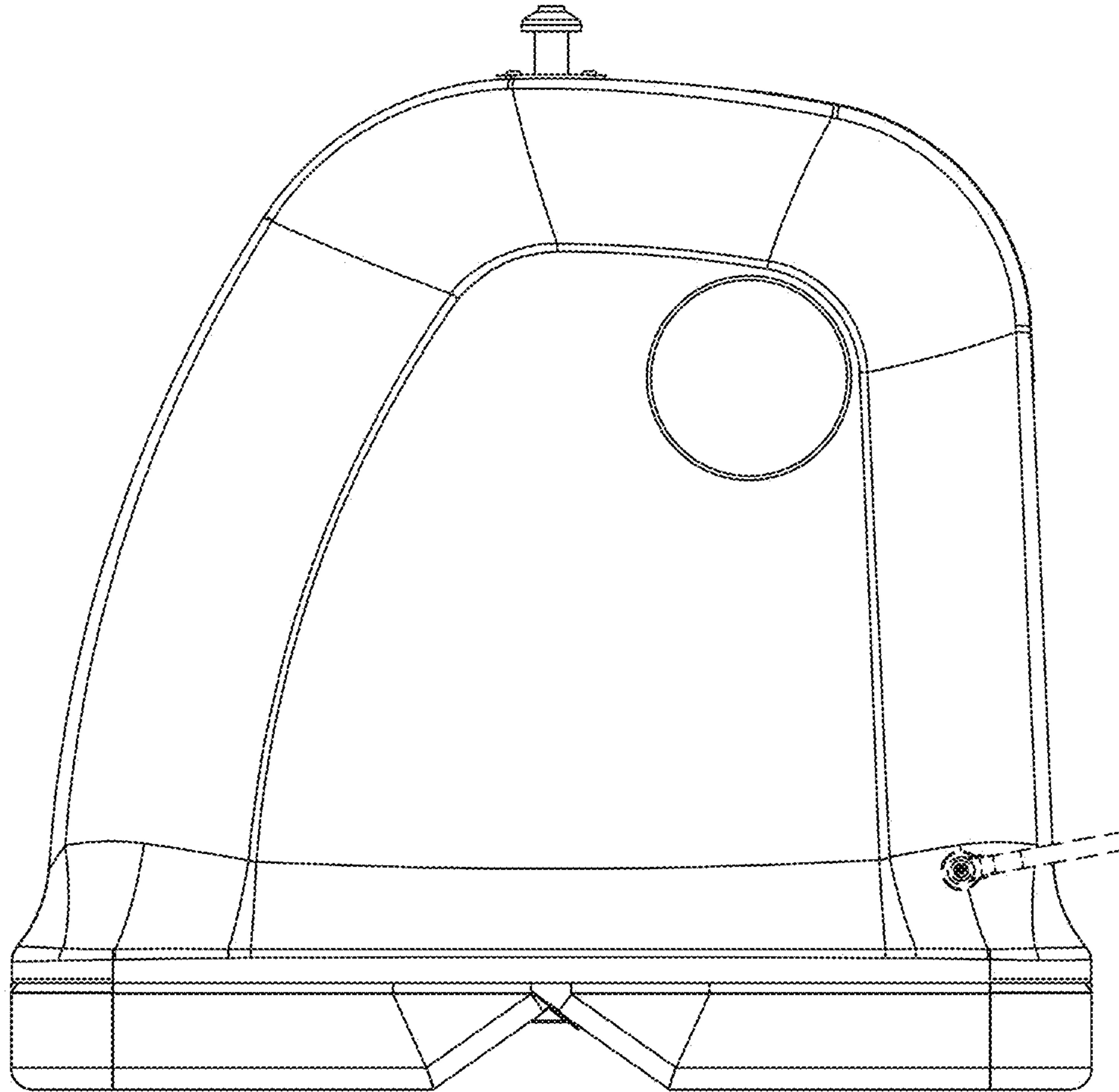
1.1



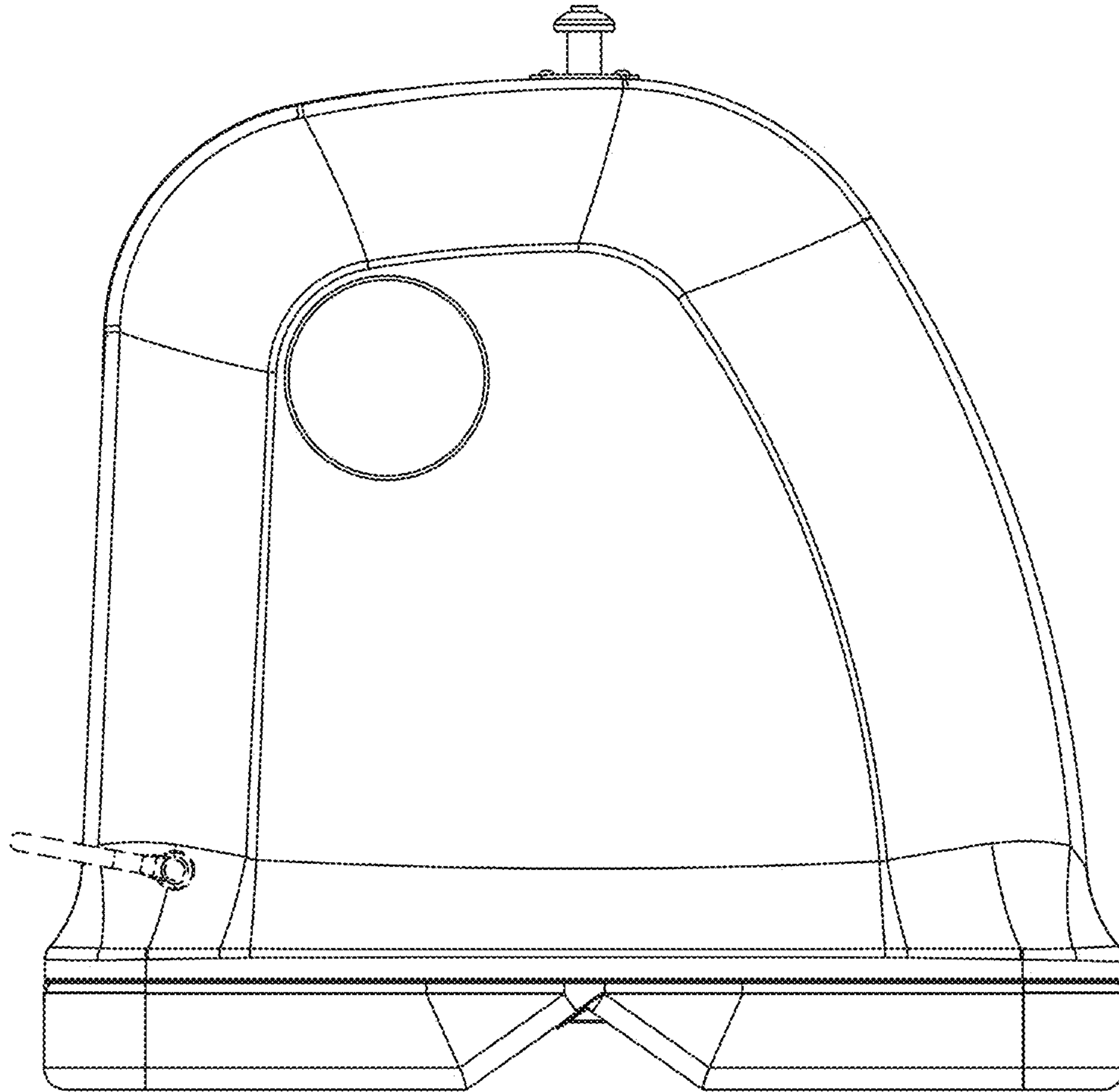
1.2



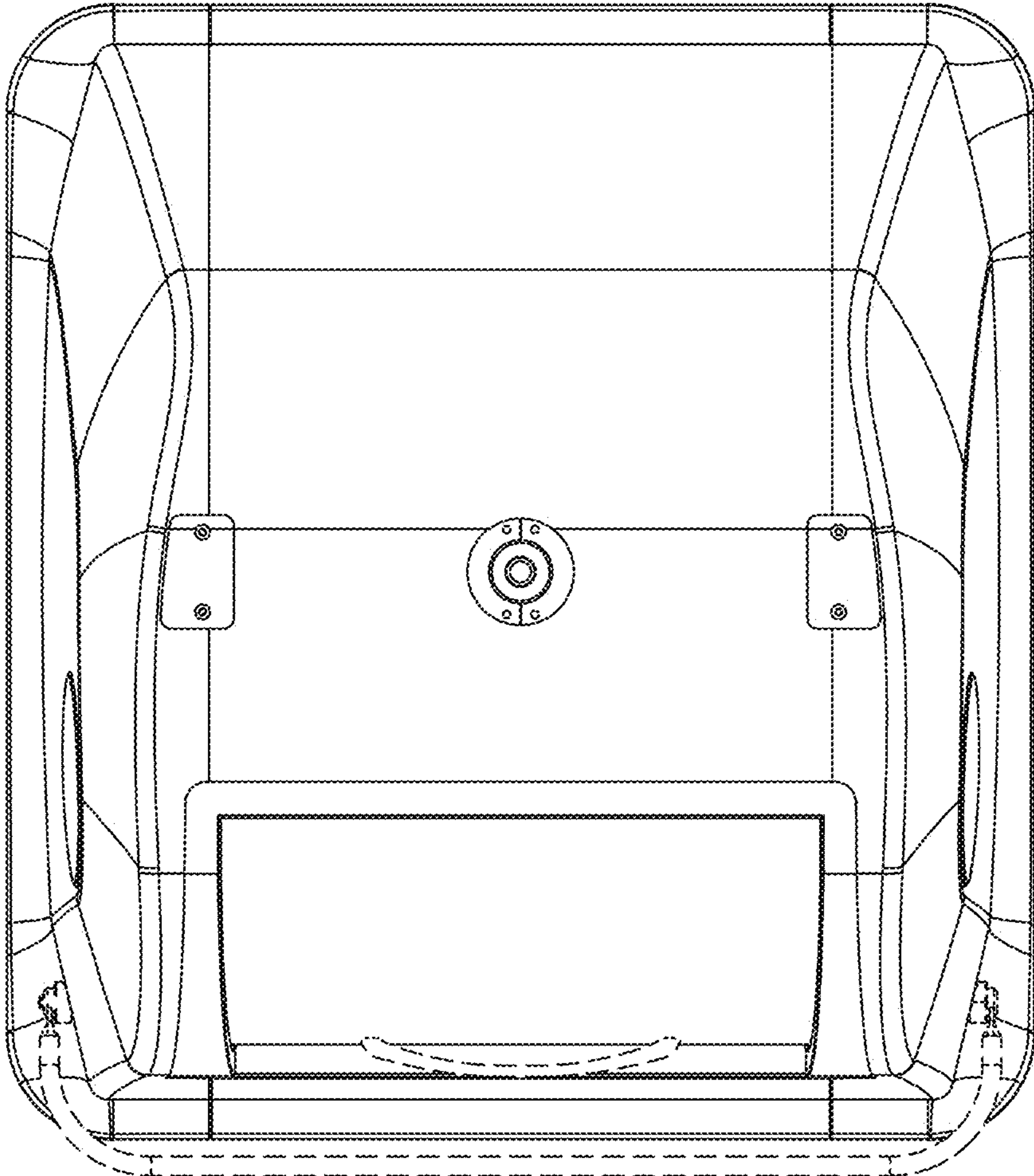
1.3



1.4



1.5



1.6