



US00D937523S

(12) **United States Design Patent**
Bae et al.

(10) **Patent No.:** **US D937,523 S**

(45) **Date of Patent:** **** Nov. 30, 2021**

(54) **IRONING BOARD WITH STEAM HANGER**

(71) Applicant: **LG ELECTRONICS INC.**, Seoul (KR)

(72) Inventors: **Jaecil Bae**, Seoul (KR); **Kyutae Park**, Seoul (KR); **Kyungah Lee**, Seoul (KR); **Hoil Jeon**, Seoul (KR); **Youngsoo Ha**, Seoul (KR)

(73) Assignee: **LG ELECTRONICS INC.**, Seoul (KR)

(**) Term: **15 Years**

(21) Appl. No.: **29/724,707**

(22) Filed: **Feb. 18, 2020**

(30) **Foreign Application Priority Data**

Aug. 19, 2019 (KR) 30-2019-0039549

(51) **LOC (13) Cl.** **07-05**

(52) **U.S. Cl.**
USPC **D32/66**

(58) **Field of Classification Search**
USPC D32/6, 9, 35, 58, 60, 66, 73; D21/526;
D6/566, 567, 574; D8/71, 373

(Continued)

(56) **References Cited**

U.S. PATENT DOCUMENTS

D25,581 S * 6/1896 Butler D32/73
2,567,056 A * 9/1951 Coumerilh D06F 81/08
38/103

(Continued)

FOREIGN PATENT DOCUMENTS

CN 304772574 * 8/2018
WO D206439-001 * 8/2021

OTHER PUBLICATIONS

NYHFG Professional Series Garment Steamer, available in Amazon.ca, date 1st available Sep. 18, 2021 [online],[site visited Sep. 22,

2021], Available from internet URL: https://www.amazon.ca/NYHFG-Professional-Garment-Steamer-Powerful/dp/B09GM19F76/ref=sr_1_1?dchild=1&keywords=B09GM19F76&qid=1632318151&sr=8-1 (Year: 2021).*

(Continued)

Primary Examiner — Dana K Weiland
Assistant Examiner — Jennylou M Binas

(74) *Attorney, Agent, or Firm* — Birch, Stewart, Kolasch & Birch, LLP

(57) **CLAIM**

We claim the ornamental design for an ironing board with steam hanger, as shown and described.

DESCRIPTION

FIG. 1 is a perspective view of an ironing board with steam hanger showing the new design;
FIG. 2 is a front elevation view thereof;
FIG. 3 is a rear elevation view thereof;
FIG. 4 is a left-side elevation view thereof;
FIG. 5 is a right-side elevation view thereof;
FIG. 6 is a top plan view thereof;
FIG. 7 is a bottom plan view thereof;
FIG. 8 is an enlarged view of a portion of the ironing board with steam hanger of FIG. 1;
FIG. 9 is a perspective view of the ironing board with steam hanger showing an alternate configuration with the steam hanger popped-up;
FIG. 10 is a front elevation view thereof;
FIG. 11 is a rear elevation view thereof;
FIG. 12 is a left -side elevation view thereof;
FIG. 13 is a right -side elevation view thereof;
FIG. 14 is a top plan view thereof;
FIG. 15 is a bottom plan view thereof;
FIG. 16 is an enlarged view of a portion of the ironing board with steam hanger of FIG. 9;
FIG. 17 is a perspective view of the ironing board with steam hanger showing an alternate configuration with the steam hanger unfolded to both sides;
FIG. 18 is a front elevation view thereof;
FIG. 19 is a rear elevation view thereof;

(Continued)

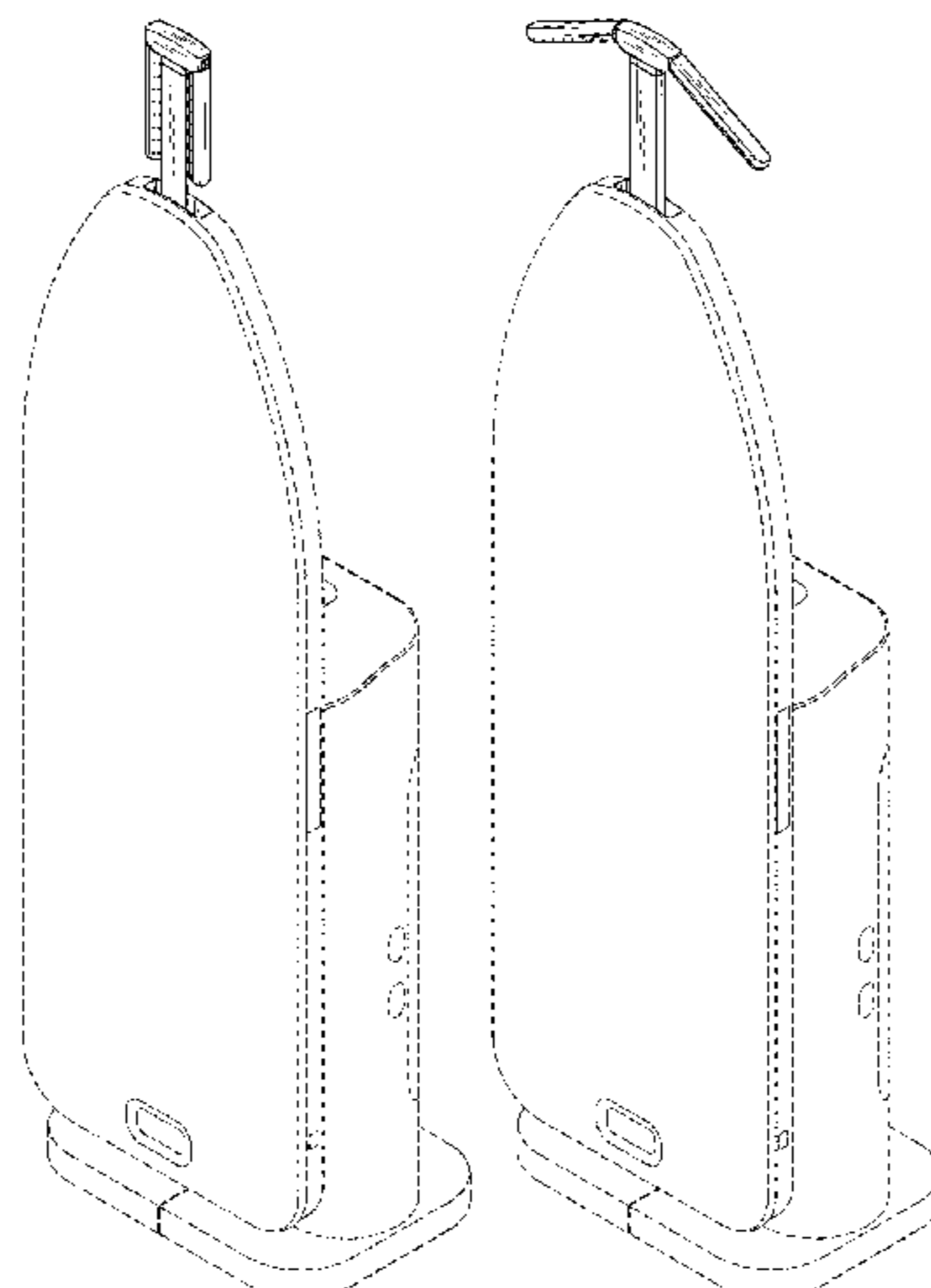


FIG. 20 is a left-side elevation view thereof;
 FIG. 21 is a right-side elevation view thereof;
 FIG. 22 is a top plan view thereof;
 FIG. 23 is a bottom plan view thereof; and,
 FIG. 24 is an enlarged view of a portion of the ironing board with steam hanger of FIG. 17.
 The broken lines shown in the figures depict portions of the ironing board with steam hanger that form no part of the claimed design. The dashed broken line in FIGS. 8, 16 and 24 shows the boundary of the enlarged view and forms no part of the claimed design.

1 Claim, 24 Drawing Sheets

(58) **Field of Classification Search**

CPC A47B 39/06; D06F 81/00; D06F 81/003;
 D06F 81/006; D06F 81/02; D06F 81/04;
 D06F 81/06; D06F 81/08; D06F 81/12;
 D06F 83/00; D06F 73/00; Y10S 38/02;
 Y10S 38/03; Y10T 292/305; A47G 25/40

See application file for complete search history.

(56)

References Cited

U.S. PATENT DOCUMENTS

2,854,148	A	*	9/1958	Mattos	D06F 81/006 108/28
D362,324	S	*	9/1995	Lorenzana	D32/66
D487,831	S	*	3/2004	Savoie	D32/58
D544,164	S	*	6/2007	Hinkens	D32/58
D545,021	S	*	6/2007	Verbeek	D32/58
D545,520	S	*	6/2007	Oberdorf	D32/58
D683,096	S	*	5/2013	Stumpo	D32/58
D706,006	S	*	5/2014	Sabounjian	D32/66
D790,144	S	*	6/2017	Kelly	D32/58
D808,606	S	*	1/2018	Greenspon	D32/58
D906,616	S	*	12/2020	Li	D32/58

OTHER PUBLICATIONS

SALAV Garment Steamer with 360 Hanger, available in sears.com, date first available Apr. 15, 2019 [online], [site visited Sep. 22, 2021], Available from the internet URL: <https://www.sears.com/salav-gs06-dj-blush-1500-watt-performance-garment/p-A011928220> (Year: 2019).*

SINGES Collapsible Clothes Drying Rack, customer review oldest date Feb. 16, 2021 [online], [site visited Sep. 23, 2021], Available from the internet (Year: 2021) URL: <https://www.walmart.com/ip/SINGES-Collapsible-Clothes-Drying-Rack-Portable-Garment-Racks-Indoor-Outdoor-Foldable-Standing-Laundry-Clothes-Tripod-Stand-Steamer-Hanger-Stand/308331609> (Year: 2021).*

* cited by examiner

FIG. 1

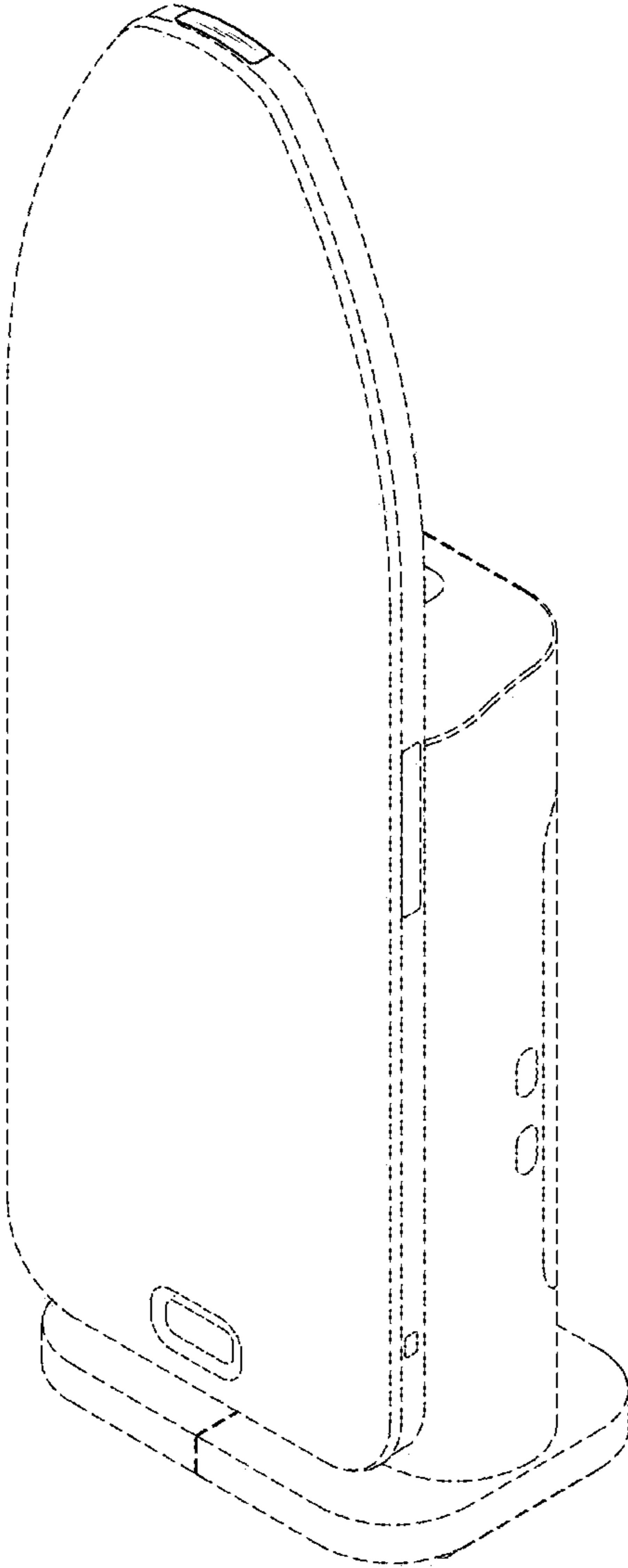


FIG. 2

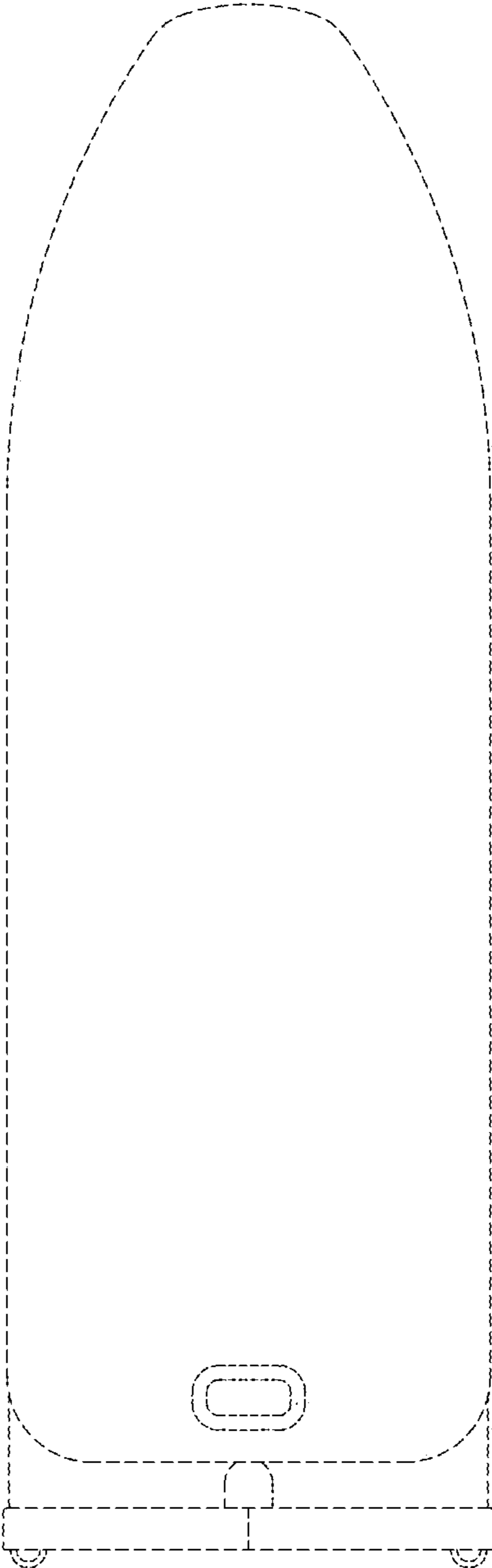


FIG. 3

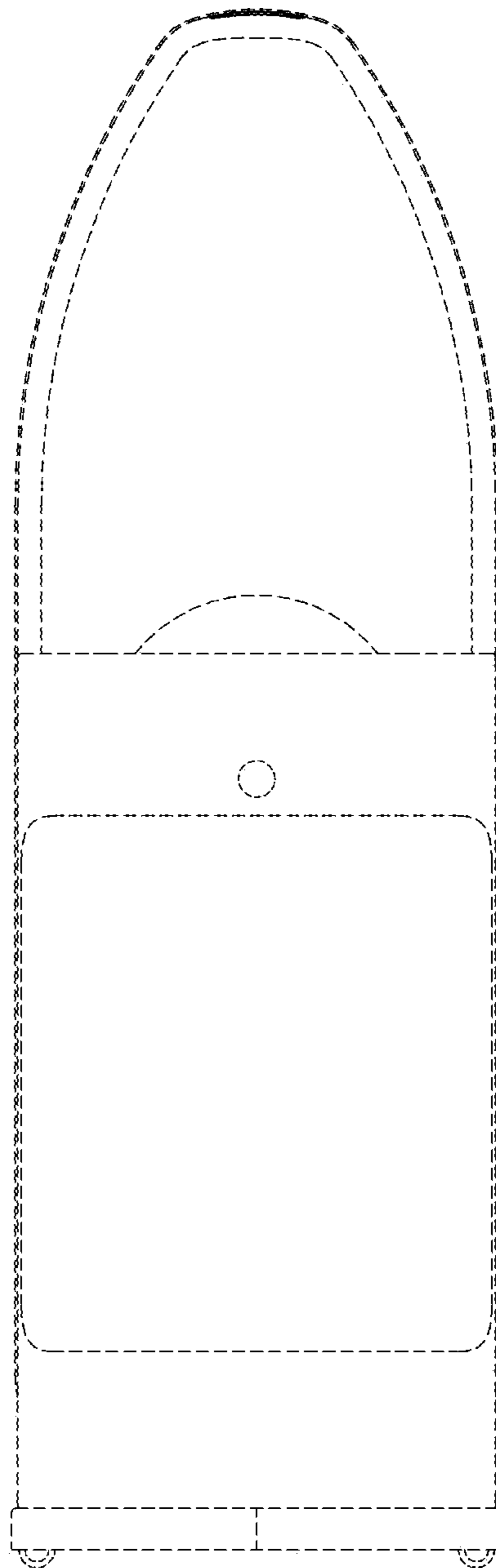


FIG. 4

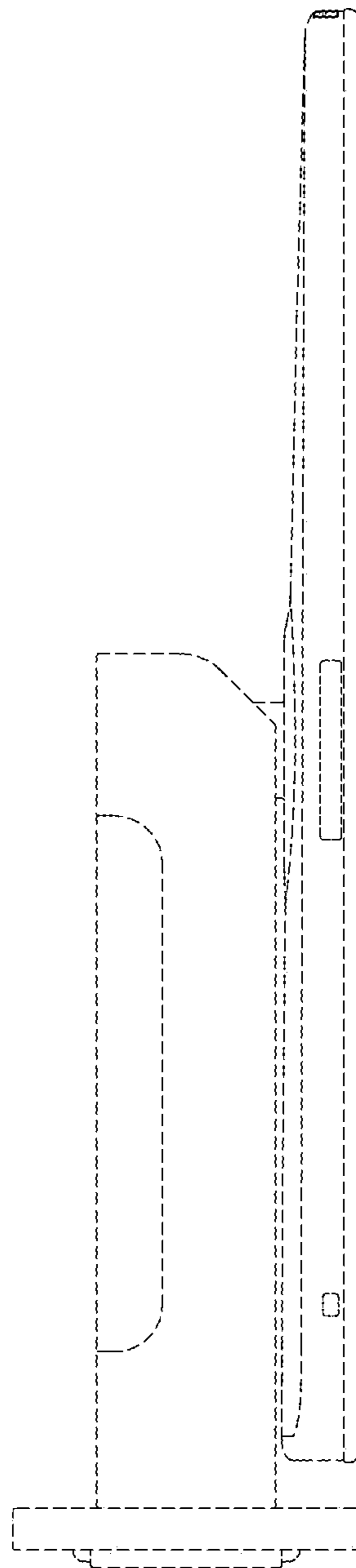


FIG. 5

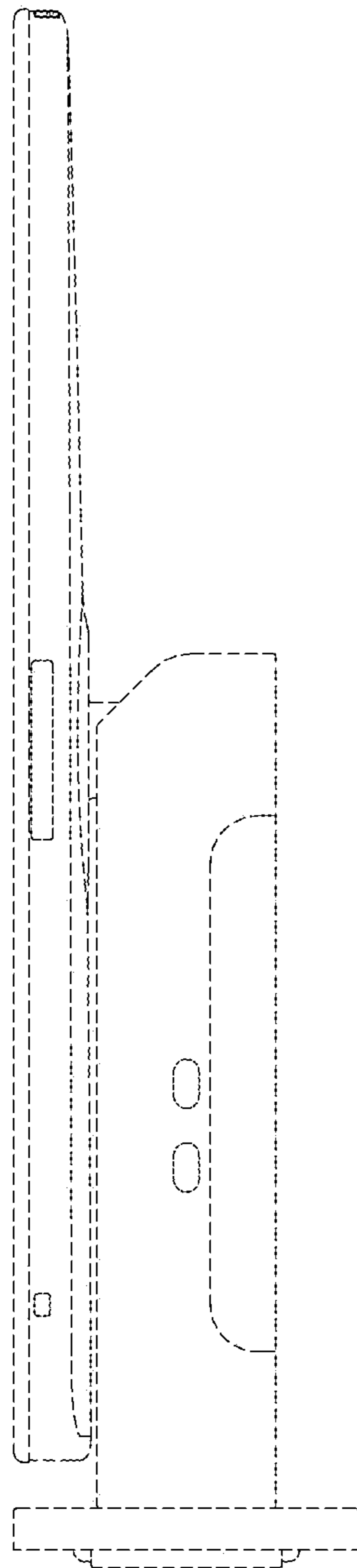


FIG. 6

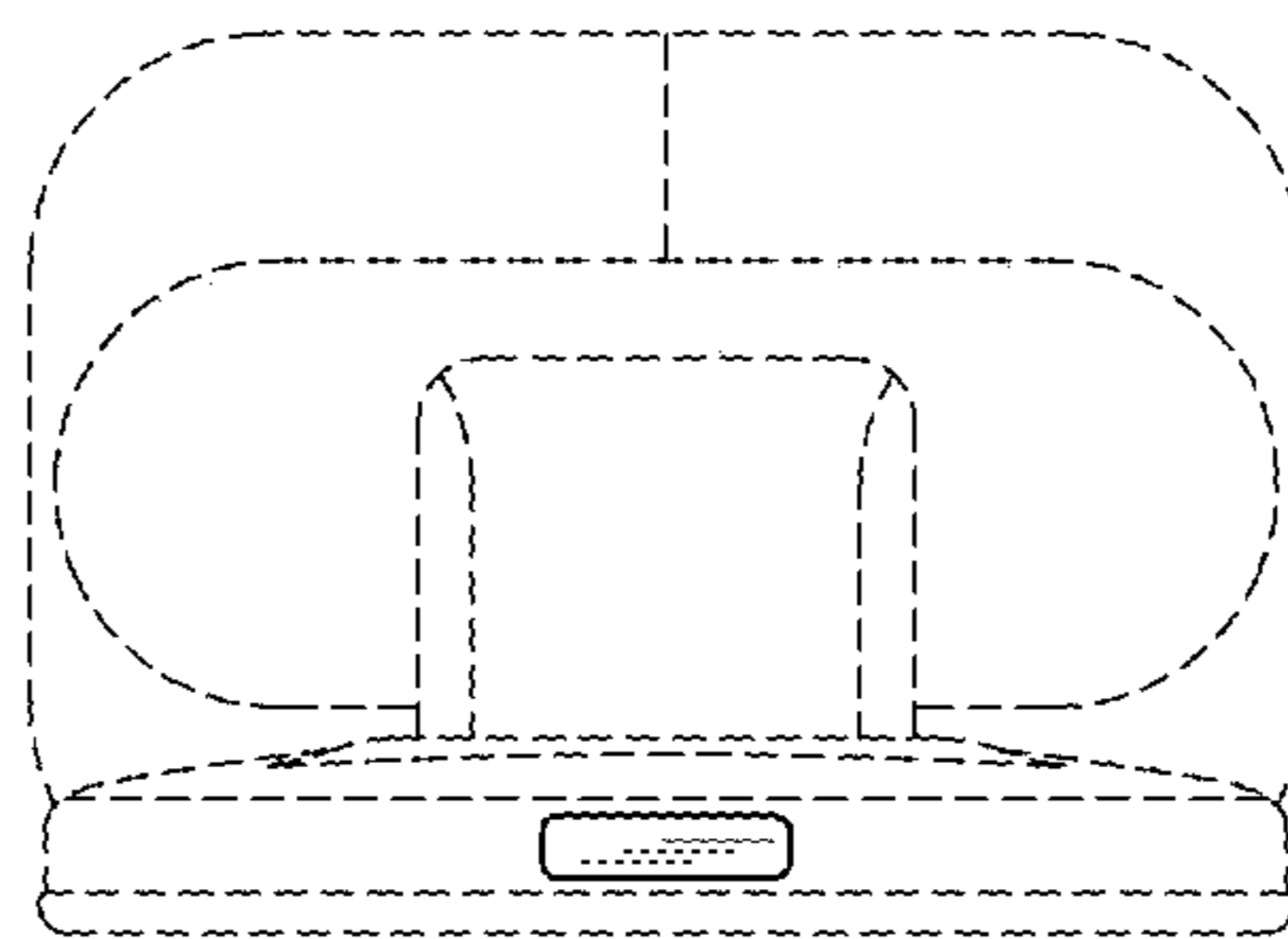


FIG. 7

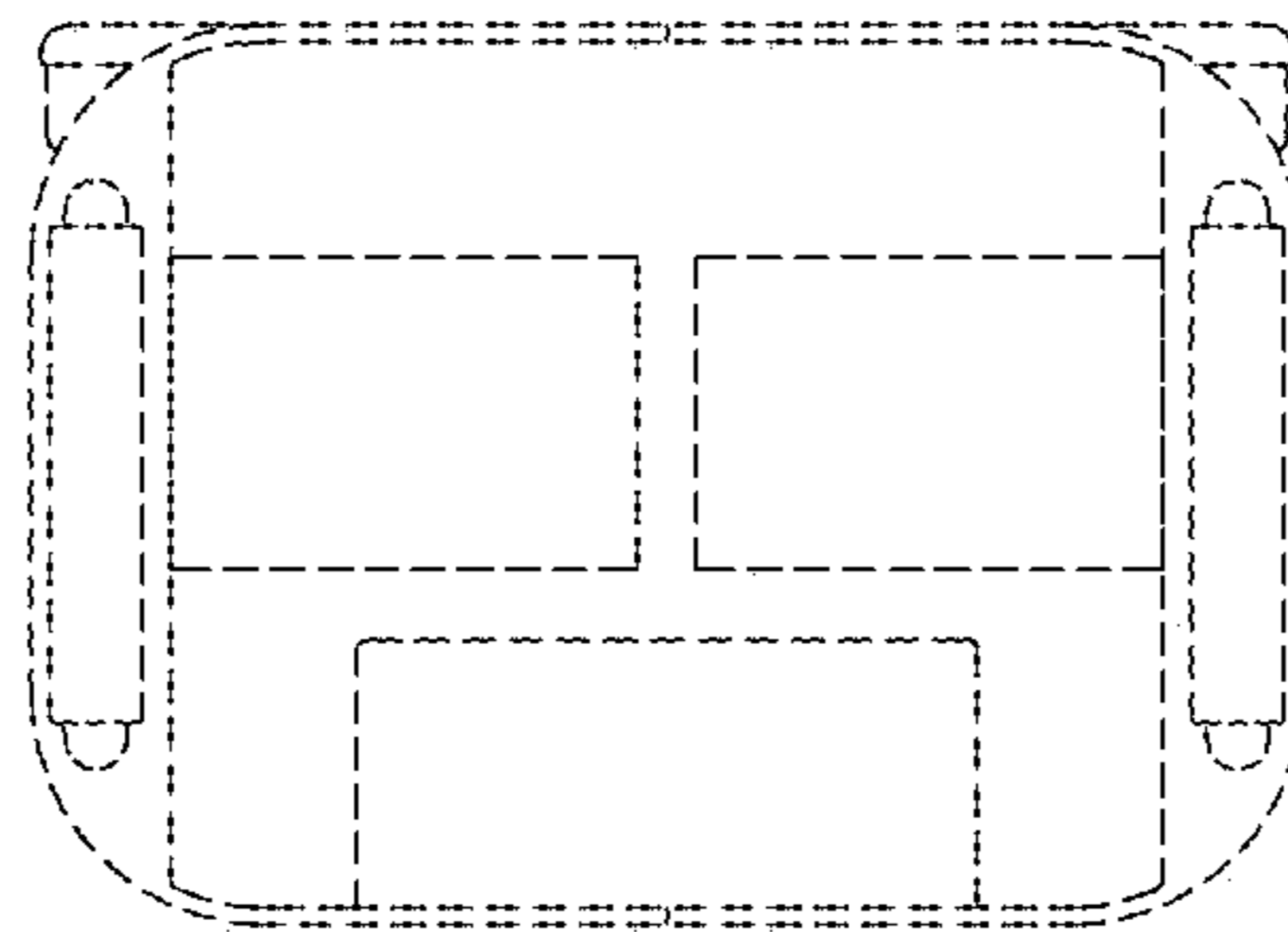


FIG. 8

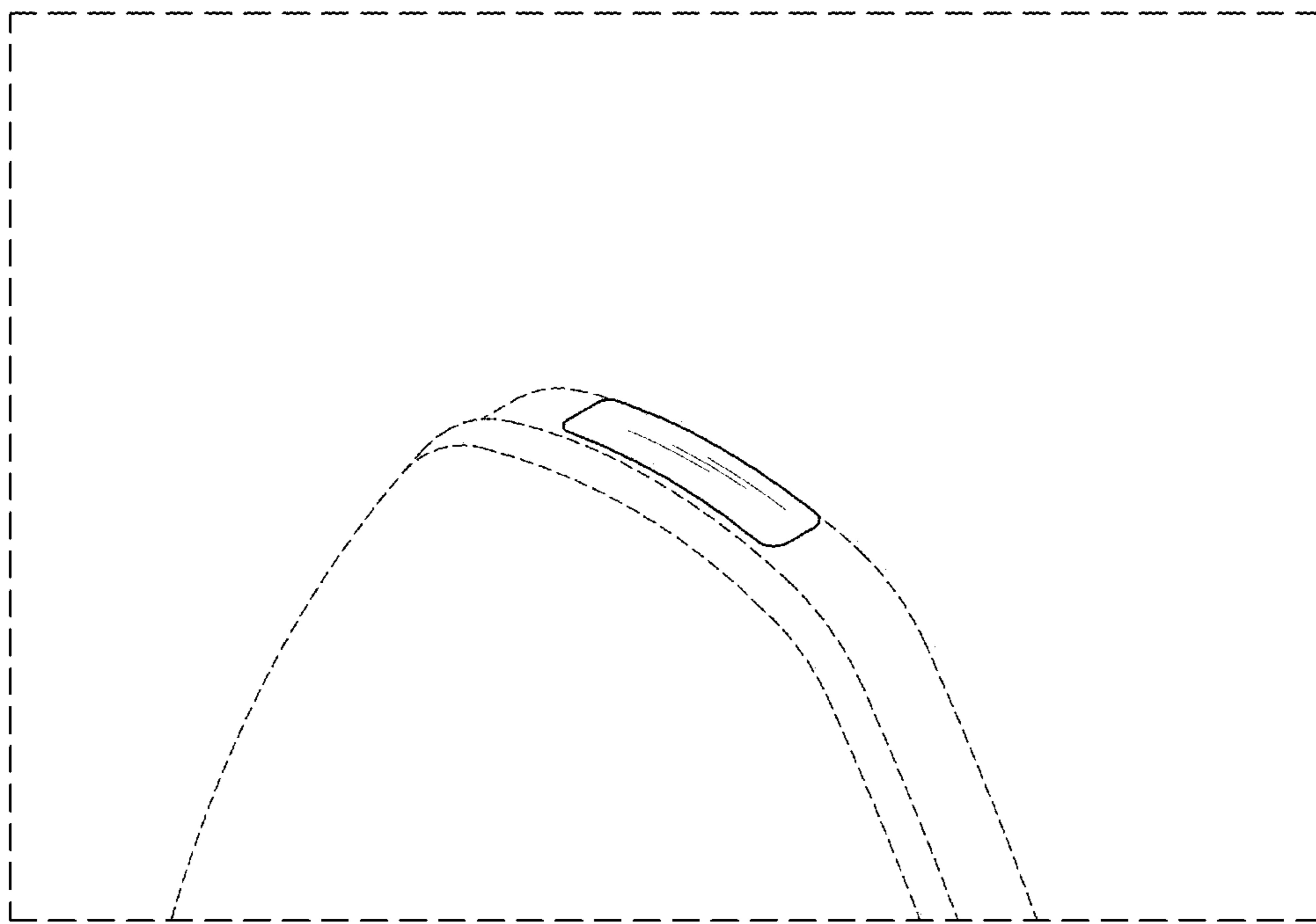


FIG. 9

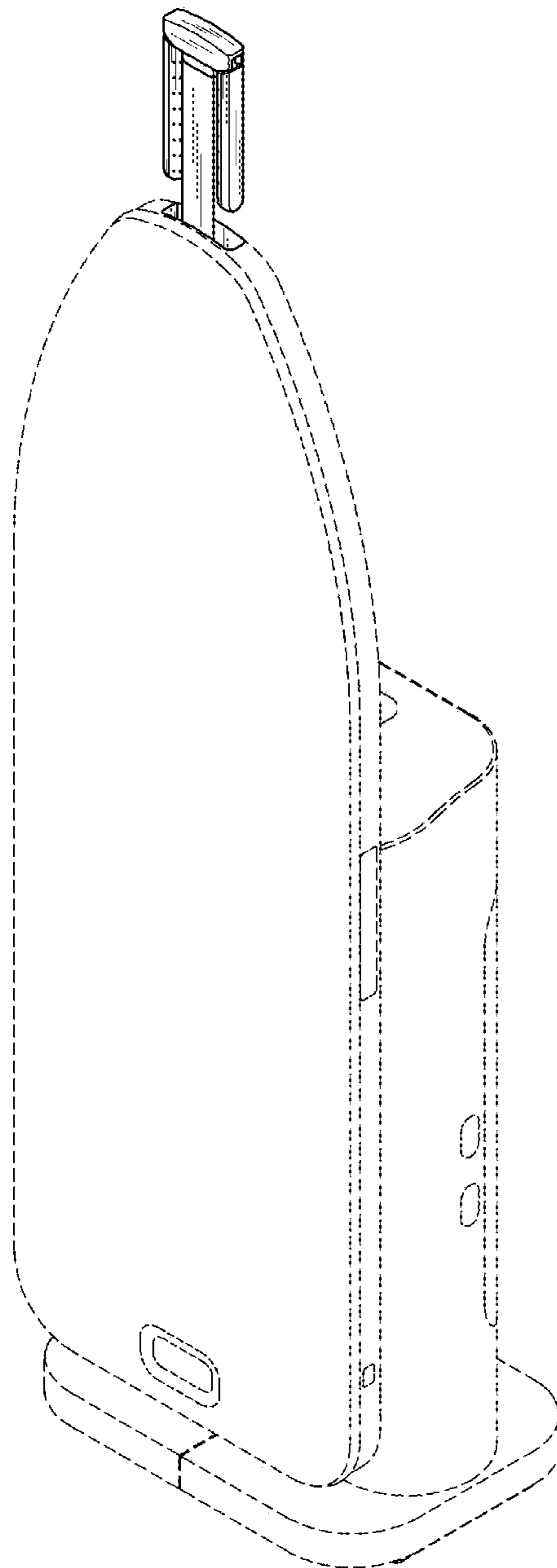


FIG. 10

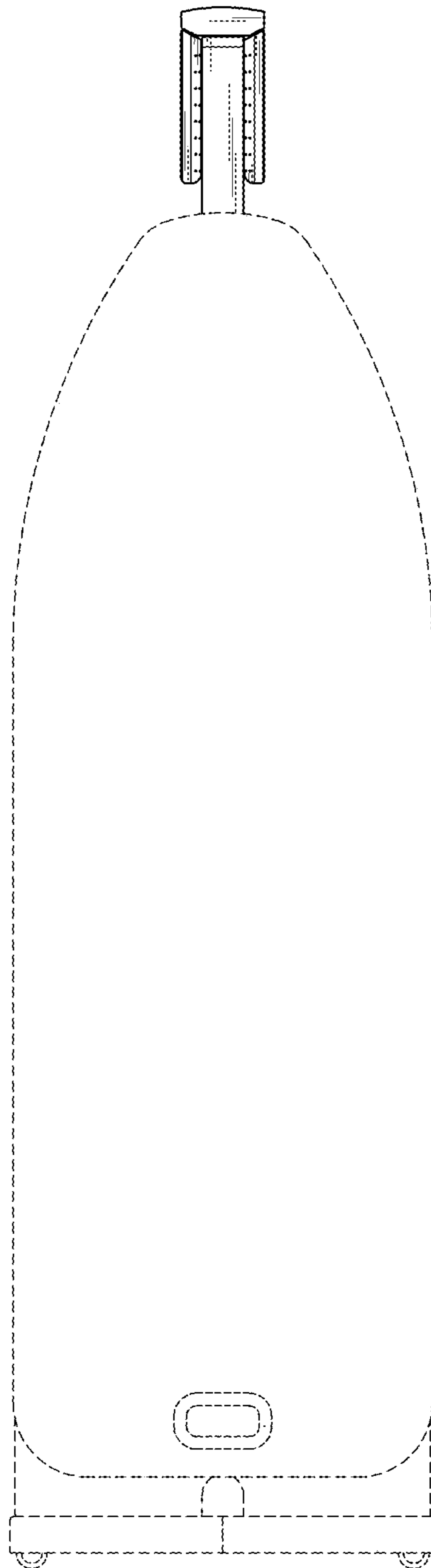


FIG. 11

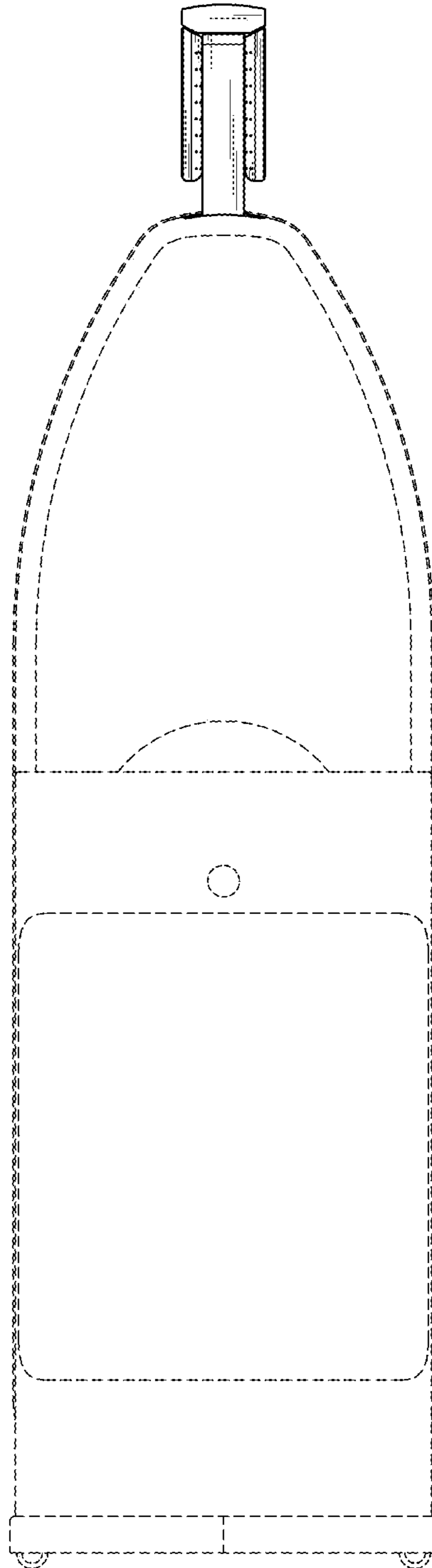


FIG. 12

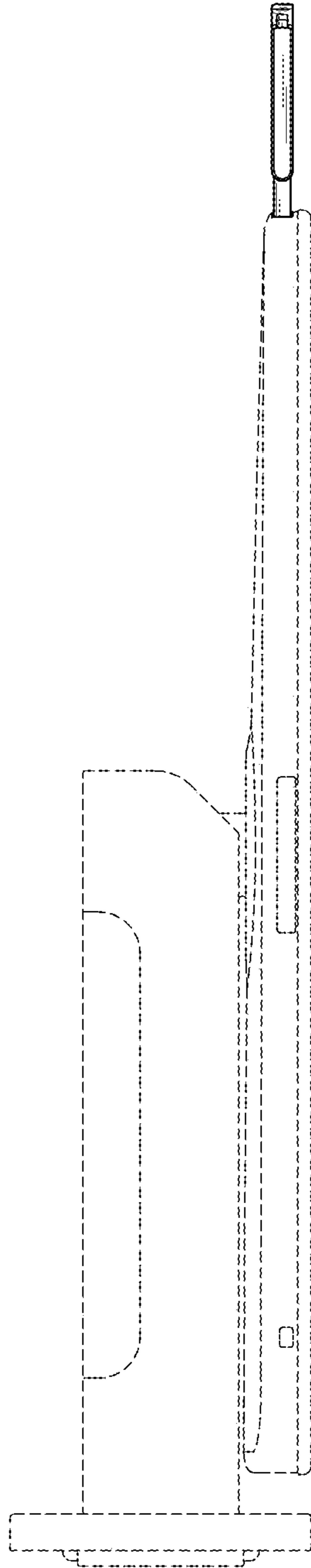


FIG. 13

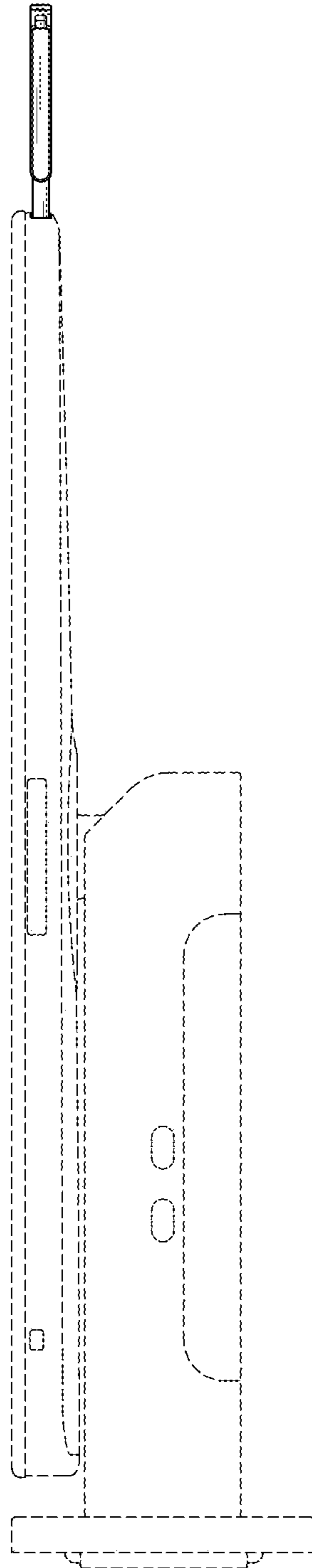


FIG. 14

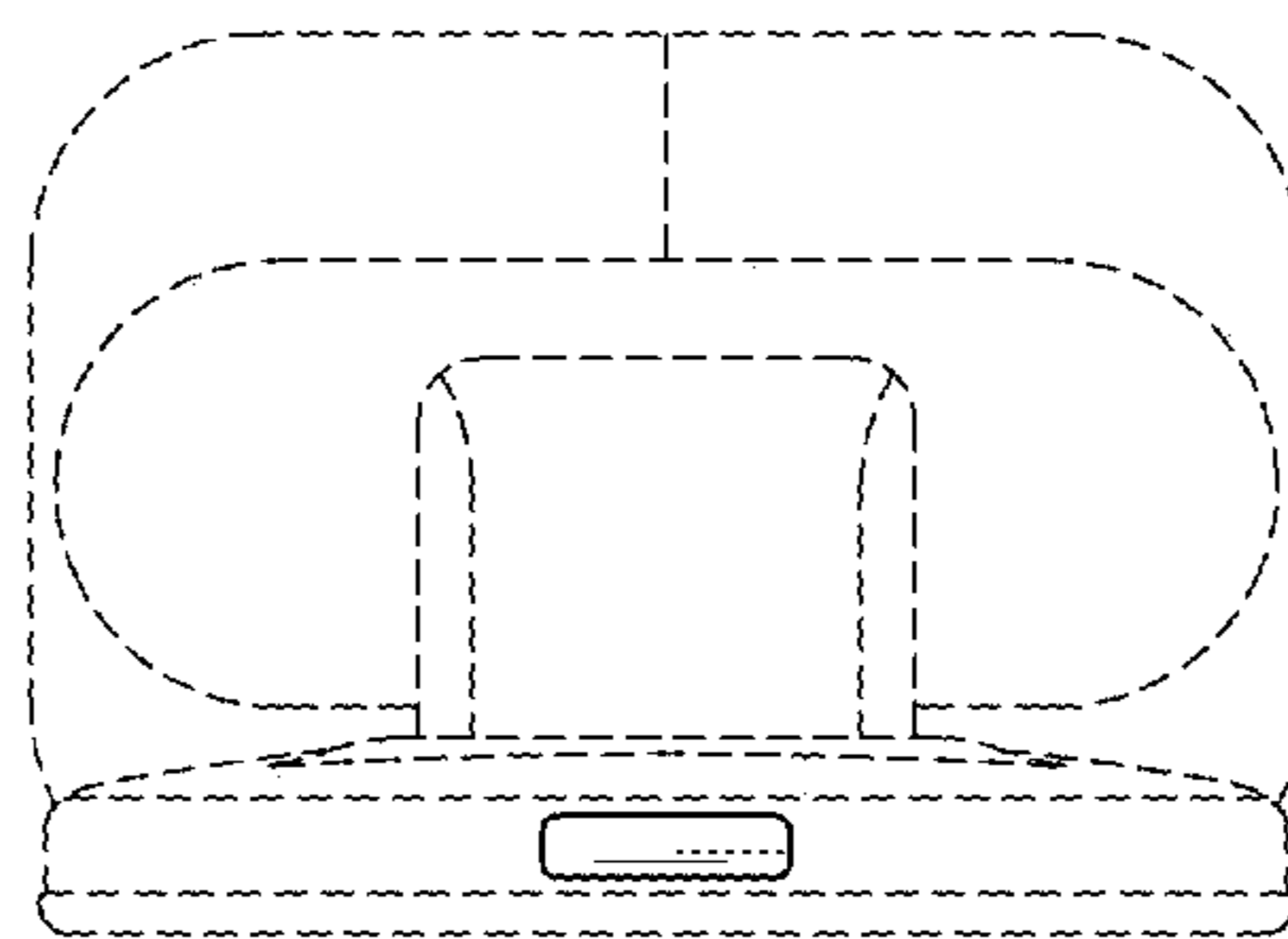


FIG. 15

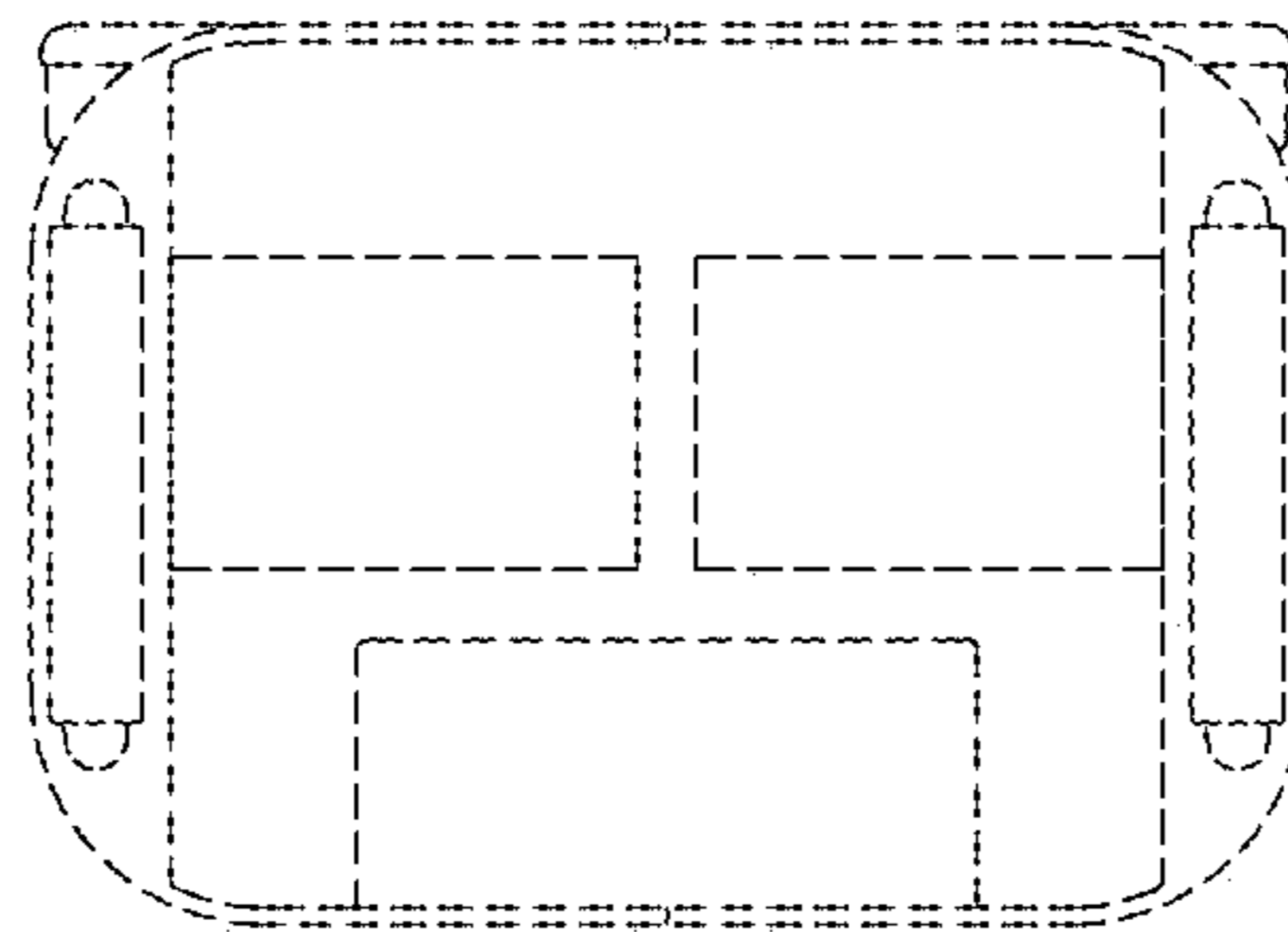


FIG. 16

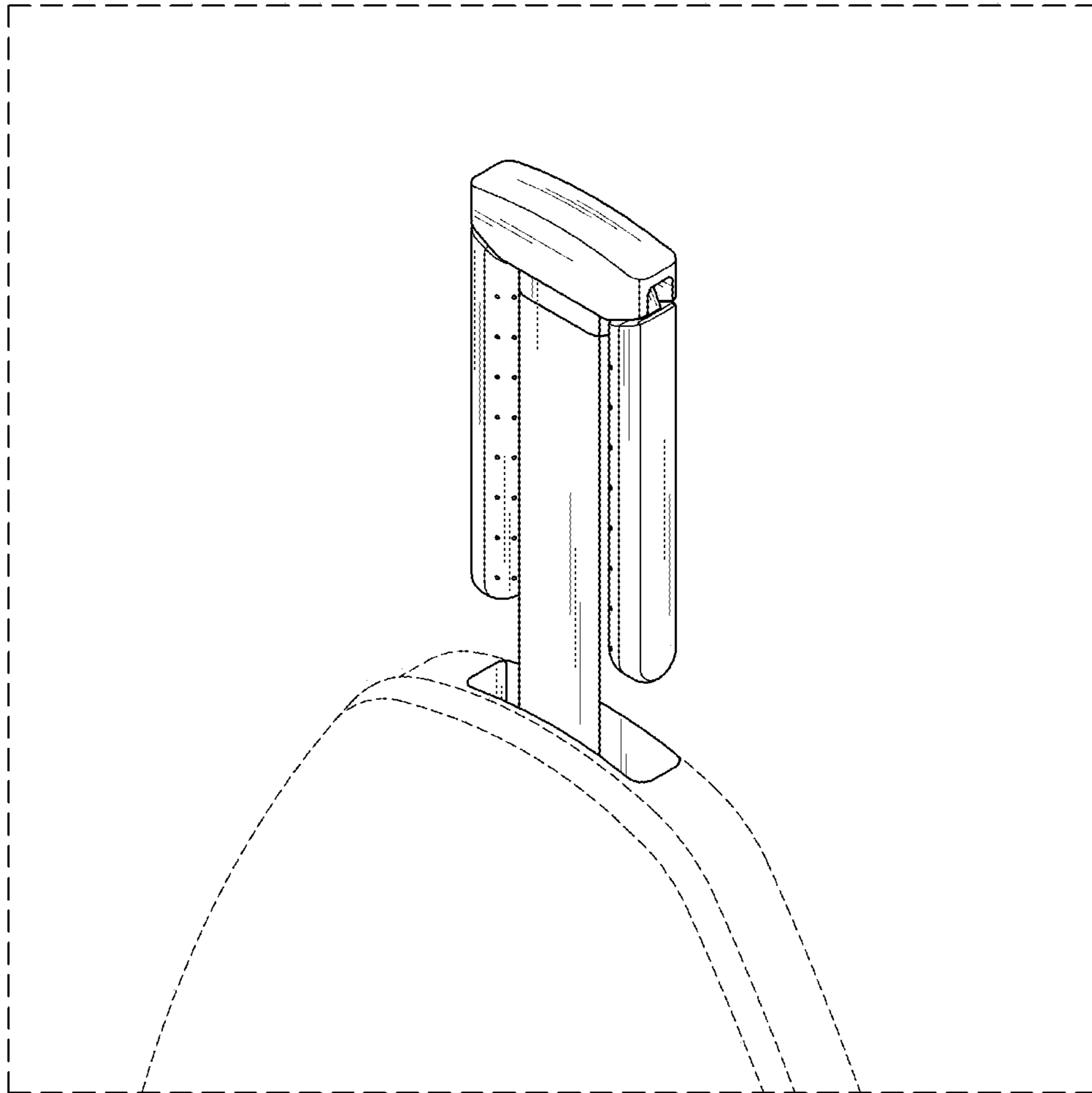


FIG. 17

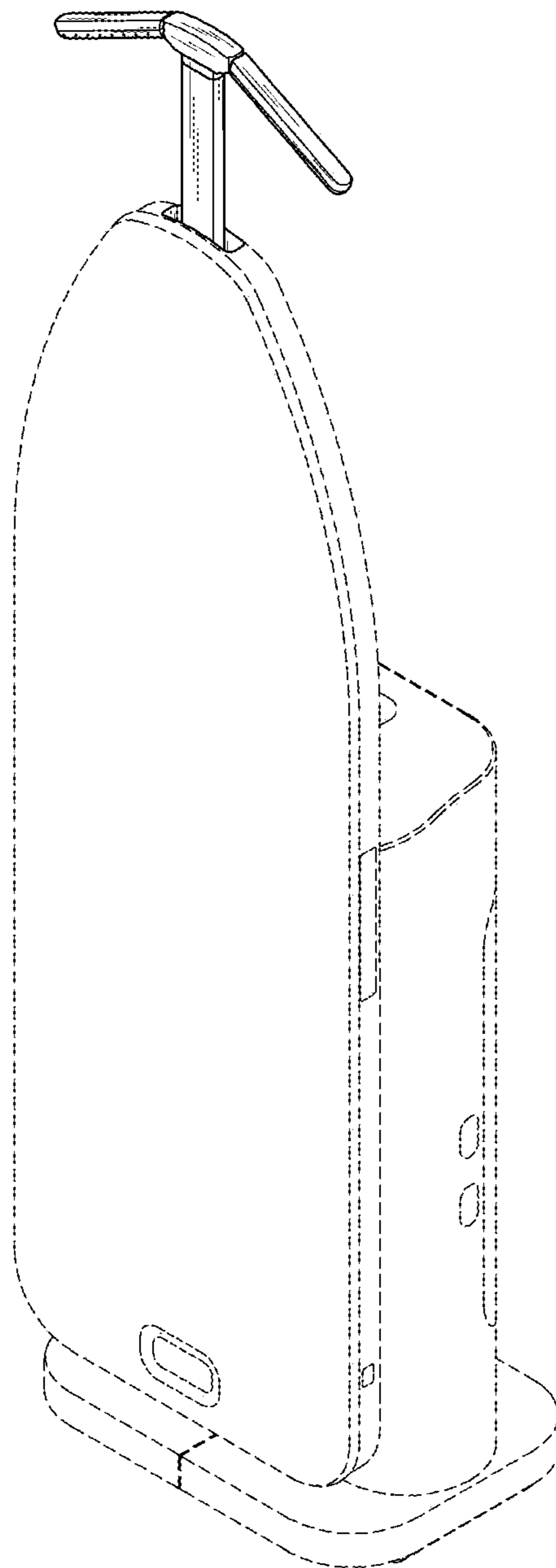


FIG. 18

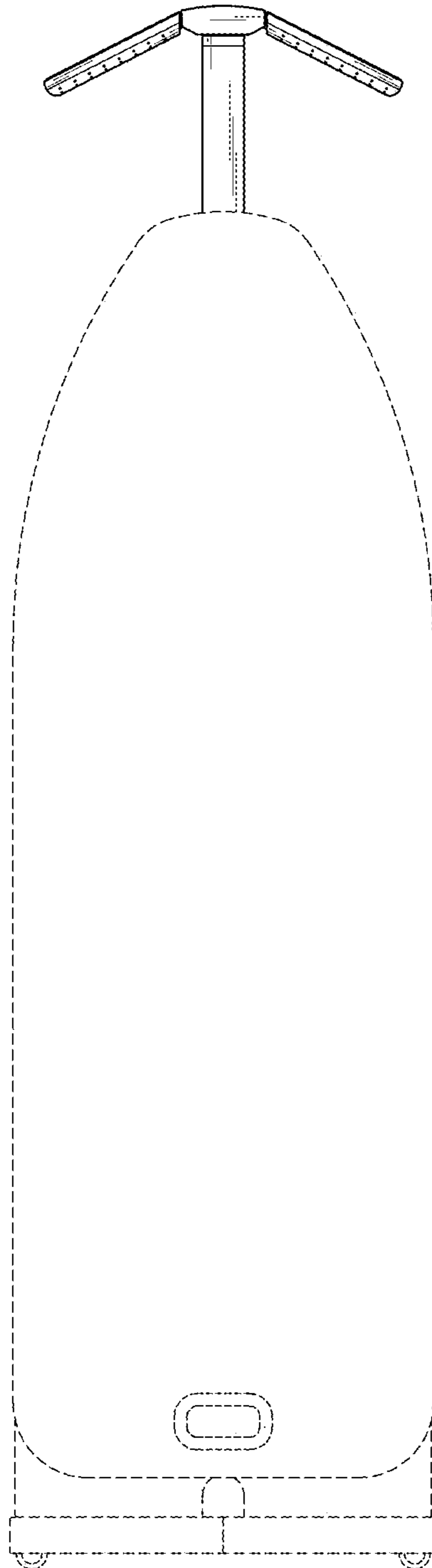


FIG. 19

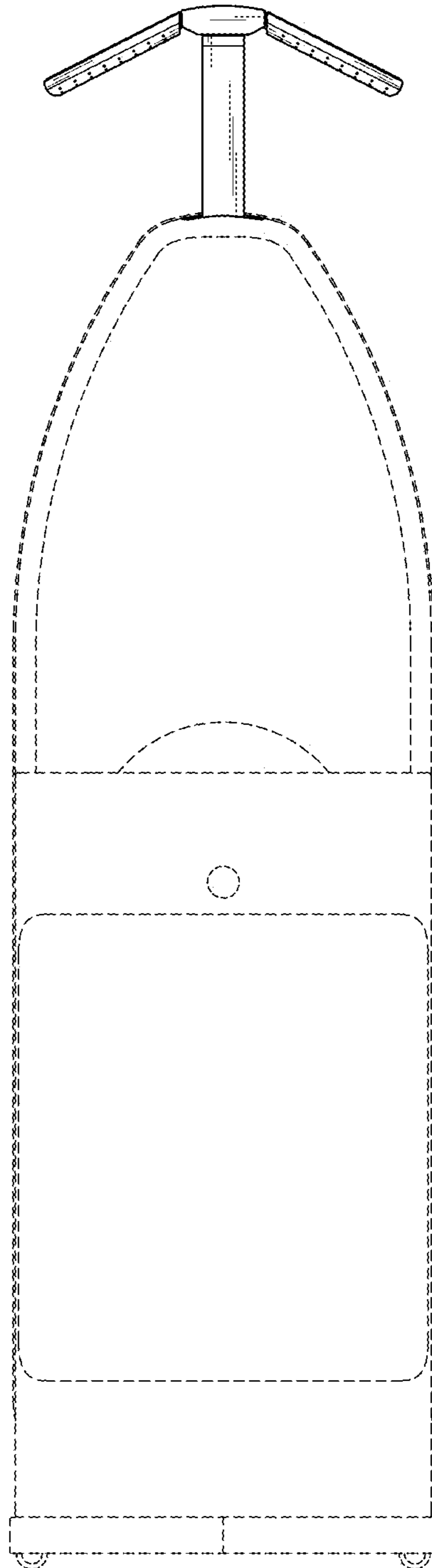


FIG. 20

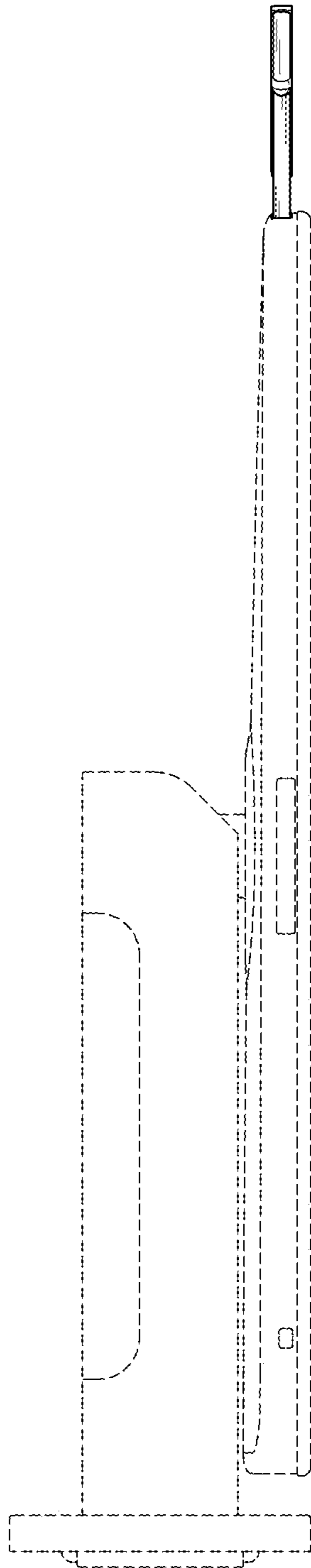


FIG. 21

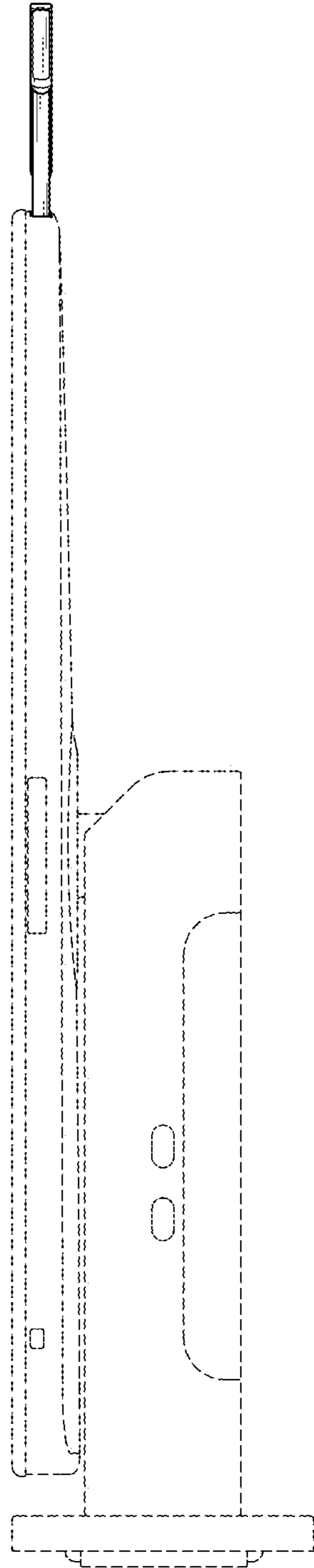


FIG. 22

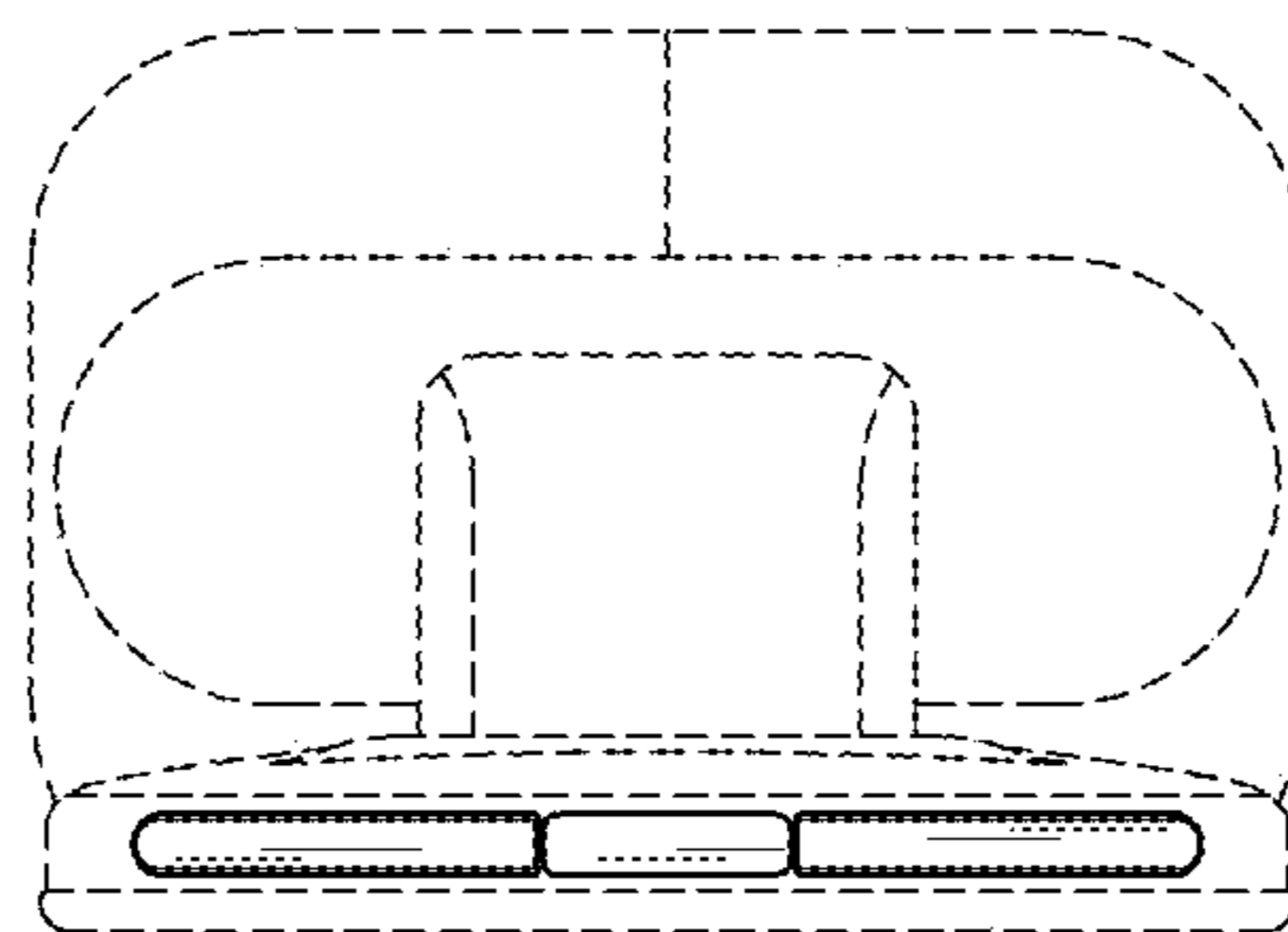


FIG. 23

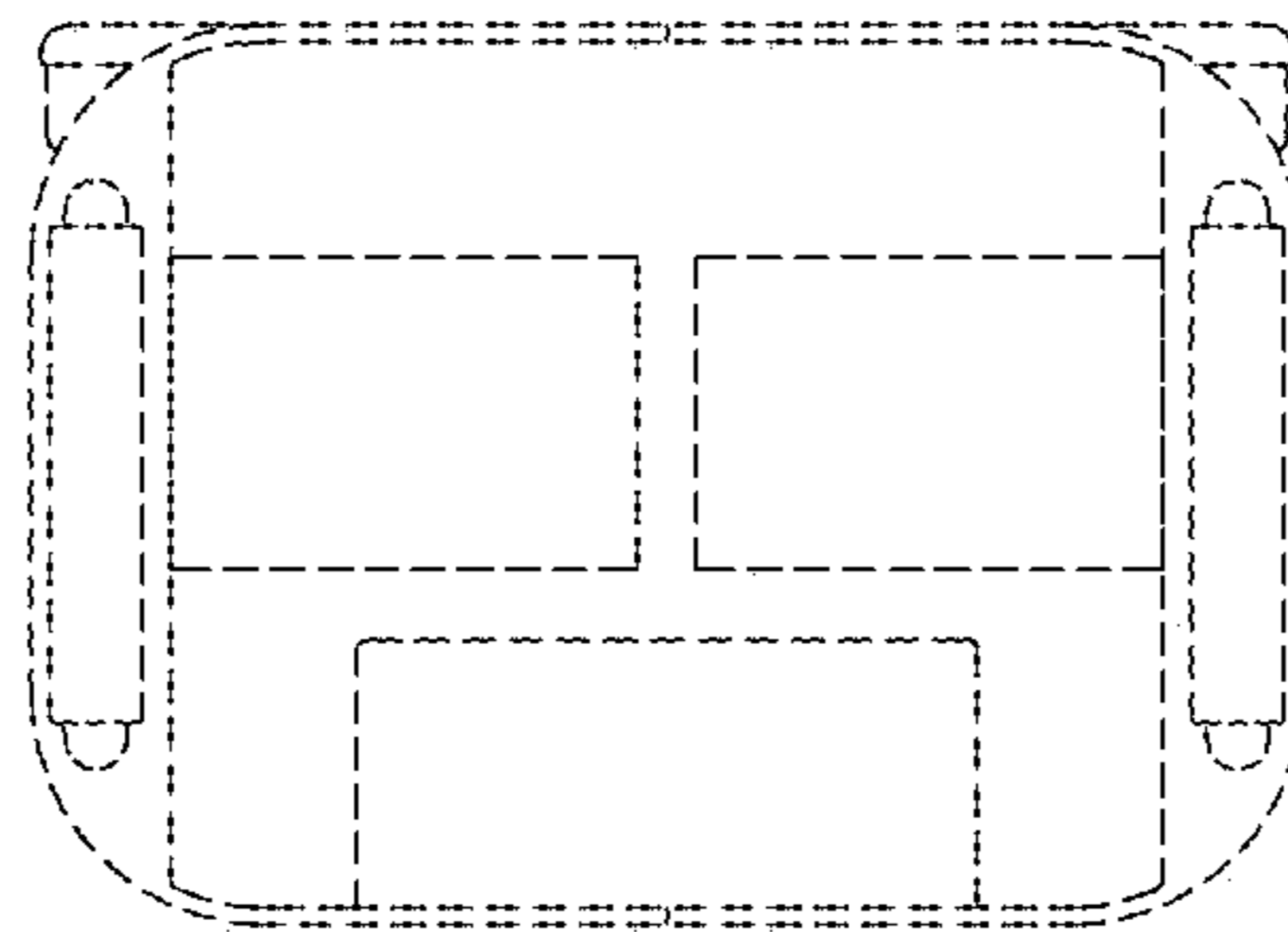


FIG. 24

