

US00D937522S

(12) **United States Design Patent** (10) **Patent No.:** **US D937,522 S**  
**Bae et al.** (45) **Date of Patent:** **\*\* Nov. 30, 2021**

(54) **IRONING BOARD WITH HANGER**

(71) Applicant: **LG ELECTRONICS INC.**, Seoul (KR)  
 (72) Inventors: **Jaeil Bae**, Seoul (KR); **Kyutae Park**, Seoul (KR); **Kyungah Lee**, Seoul (KR); **Hoil Jeon**, Seoul (KR); **Youngsoo Ha**, Seoul (KR)

(73) Assignee: **LG Electronics Inc.**, Seoul (KR)

(\*\*) Term: **15 Years**

(21) Appl. No.: **29/724,664**

(22) Filed: **Feb. 18, 2020**

(30) **Foreign Application Priority Data**

Aug. 19, 2019 (KR) ..... 30-2019-0039548

(51) **LOC (13) Cl.** ..... **07-05**

(52) **U.S. Cl.**  
USPC ..... **D32/66; D32/73**

(58) **Field of Classification Search**  
USPC ..... D32/6, 9, 35, 58, 60, 66, 67, 73;  
D21/526; D6/566, 567, 574; D8/71, 373

(Continued)

(56) **References Cited**

**U.S. PATENT DOCUMENTS**

268,246 A \* 11/1882 Lake ..... D06F 41/00  
68/214  
D20,770 S \* 5/1891 Sargent ..... D32/67

(Continued)

**FOREIGN PATENT DOCUMENTS**

CN 304575822 \* 4/2018  
GB 2082260 \* 9/1990

(Continued)

**OTHER PUBLICATIONS**

Brabantia Ironing Board with Solid Steam Iron Rest, available in Amazon.ca, date 1st available Mar. 19, 2018 [online],[site visited Sep. 21, 2021] Available URL: [https://www.amazon.ca/Brabantia-Ironing-Board-Solid-Steam/dp/B01GDTYETY/ref=sr\\_1\\_1?dchild=1&keywords=B01GDTYETY&qid=1632256577&s=kitchen&sr=1-1](https://www.amazon.ca/Brabantia-Ironing-Board-Solid-Steam/dp/B01GDTYETY/ref=sr_1_1?dchild=1&keywords=B01GDTYETY&qid=1632256577&s=kitchen&sr=1-1) (Year: 2018).\*

(Continued)

*Primary Examiner* — Dana K Weiland

*Assistant Examiner* — Jennylou M Binas

(74) *Attorney, Agent, or Firm* — Birch, Stewart, Kolasch & Birch, LLP

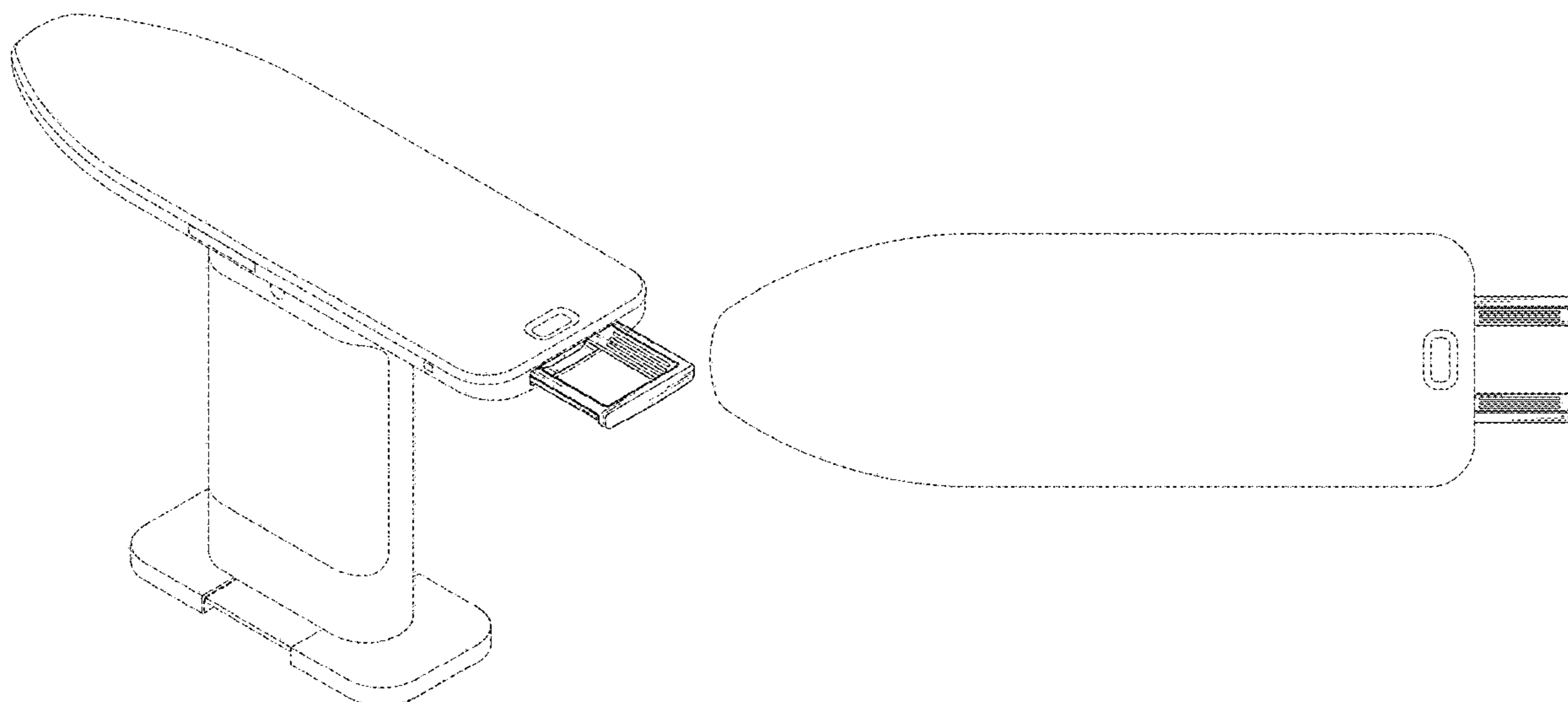
(57) **CLAIM**

We claim the ornamental design for an ironing board with hanger, as shown and described.

**DESCRIPTION**

FIG. 1 is a perspective view of an ironing board with hanger showing the new design;  
 FIG. 2 is a front elevation view thereof;  
 FIG. 3 is a rear elevation view thereof;  
 FIG. 4 is a left-side elevation view thereof;  
 FIG. 5 is a right-side elevation view thereof;  
 FIG. 6 is a top plan view thereof;  
 FIG. 7 is a bottom plan view thereof;  
 FIG. 8 is a perspective view showing an alternate configuration with the hanger inserted into the ironing board; and,  
 FIG. 9 is an enlarged view of a portion of the ironing board with hanger of FIG. 1 showing a state of use with an iron. The broken line showing of the iron in FIG. 9 is for the purpose of illustrating environment and forms no part of the claimed design. All other broken lines shown in the drawings depict portions of the ironing board with hanger that form no part of the claimed design. The dashed broken lines in FIG. 9 show the boundary of the enlarged view and forms no part of the claimed design.

**1 Claim, 9 Drawing Sheets**



(58) **Field of Classification Search**

CPC ..... D06F 81/00; D06F 81/003; D06F 81/006;  
 D06F 81/02; D06F 81/04; D06F 81/06;  
 D06F 81/08; D06F 81/12; D06F 83/00;  
 Y10S 38/02; Y10S 38/03; Y10T 292/305  
 See application file for complete search history.

D546,515 S \* 7/2007 Wicky ..... D32/66  
 D546,516 S \* 7/2007 Henderson ..... D32/66  
 D549,915 S \* 8/2007 Pastrana-Rangel ..... D32/67  
 D614,375 S \* 4/2010 Van Beuningen ..... D32/73  
 D704,912 S \* 5/2014 Gameiro ..... D32/66  
 D706,006 S \* 5/2014 Sabounjian ..... D32/66  
 D891,018 S \* 7/2020 Evans ..... D32/55

(56) **References Cited**

U.S. PATENT DOCUMENTS

642,685 A \* 2/1900 Farley ..... D06F 79/02  
 248/117.3  
 D124,329 S \* 12/1940 Parker ..... D32/66  
 D158,426 S \* 5/1950 Wilson ..... D32/73  
 2,567,056 A \* 9/1951 Coumerilh ..... D06F 81/08  
 38/103  
 D167,617 S \* 9/1952 Cohen ..... D32/60  
 3,212,742 A \* 10/1965 Pavoni ..... D06F 81/003  
 248/117.1  
 4,125,192 A \* 11/1978 Dayen ..... A63B 60/60  
 211/14  
 D267,768 S \* 2/1983 Duggan ..... 211/171  
 4,779,365 A \* 10/1988 Theeten ..... D06F 81/00  
 108/59  
 D326,487 S \* 5/1992 Monneret ..... D21/526  
 D348,338 S \* 6/1994 Stutzer ..... D32/66  
 D426,040 S \* 5/2000 Wicky ..... D32/66  
 D426,590 S \* 6/2000 Lan ..... D21/526  
 D452,596 S \* 12/2001 de Wit ..... D32/66  
 D502,302 S \* 2/2005 Verbeek ..... D32/73  
 D514,766 S \* 2/2006 Manfrotto ..... D32/66

FOREIGN PATENT DOCUMENTS

JP D1197988 \* 2/2004  
 KR 301125778.0000 \* 9/2021  
 RU 00121161 \* 8/2020  
 WO D206394-001 \* 8/2021  
 WO D206425-001 \* 8/2021  
 WO D206441-001 \* 8/2021

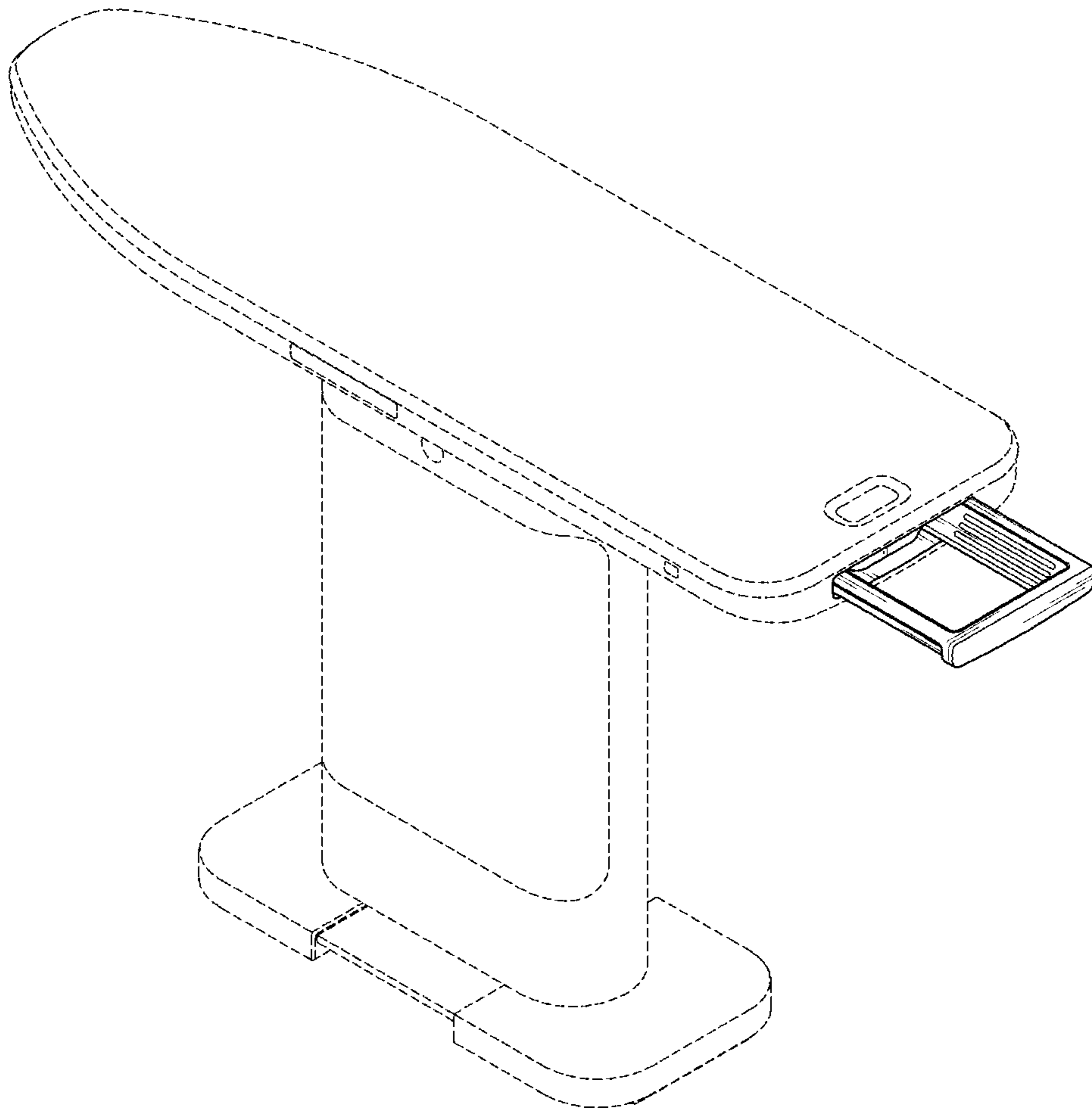
OTHER PUBLICATIONS

Brabantia Ironing Board, available in Amazon.ca, date first available Mar. 24, 2018 [online], [site visited Sep. 21, 2021], Available from the internet URL: [https://www.amazon.ca/dp/B00JB6ARF2/ref=cm\\_sw\\_r\\_awdo\\_navT\\_g\\_3AX7PM7KJV16AP3XYXCP](https://www.amazon.ca/dp/B00JB6ARF2/ref=cm_sw_r_awdo_navT_g_3AX7PM7KJV16AP3XYXCP) (Year: 2018).\*

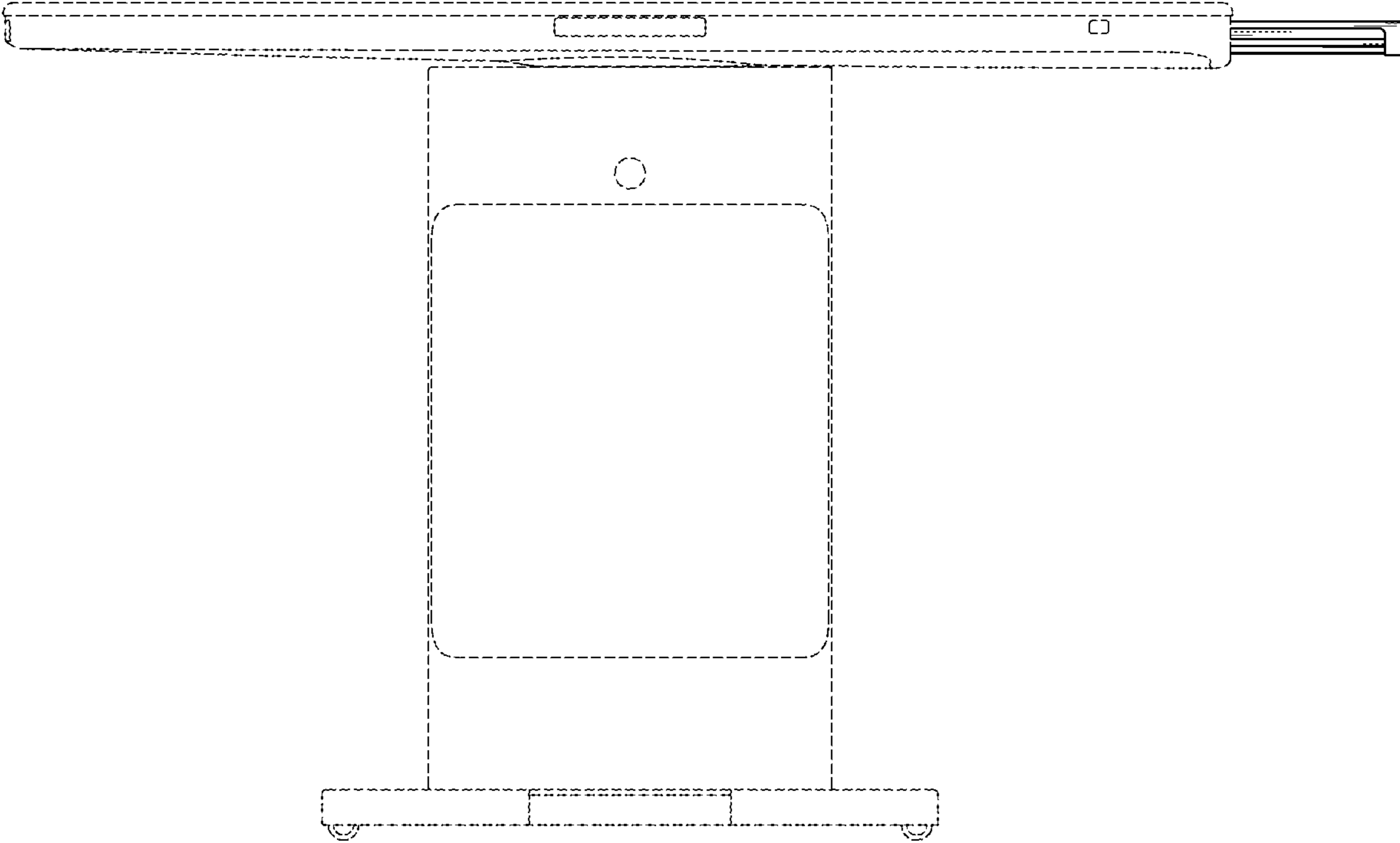
Reliable The Board 500VB, available in Amazon.ca, date first available Jan. 1, 2011 [online], [site visited Sep. 21, 2021], Available from the internet URL: [https://www.amazon.ca/dp/B000J4L6U0/ref=cm\\_sw\\_r\\_awdo\\_navT\\_g\\_FKZGWJE22PQGW9RZJDGM?psc=1](https://www.amazon.ca/dp/B000J4L6U0/ref=cm_sw_r_awdo_navT_g_FKZGWJE22PQGW9RZJDGM?psc=1) (Year: 2011).\*

\* cited by examiner

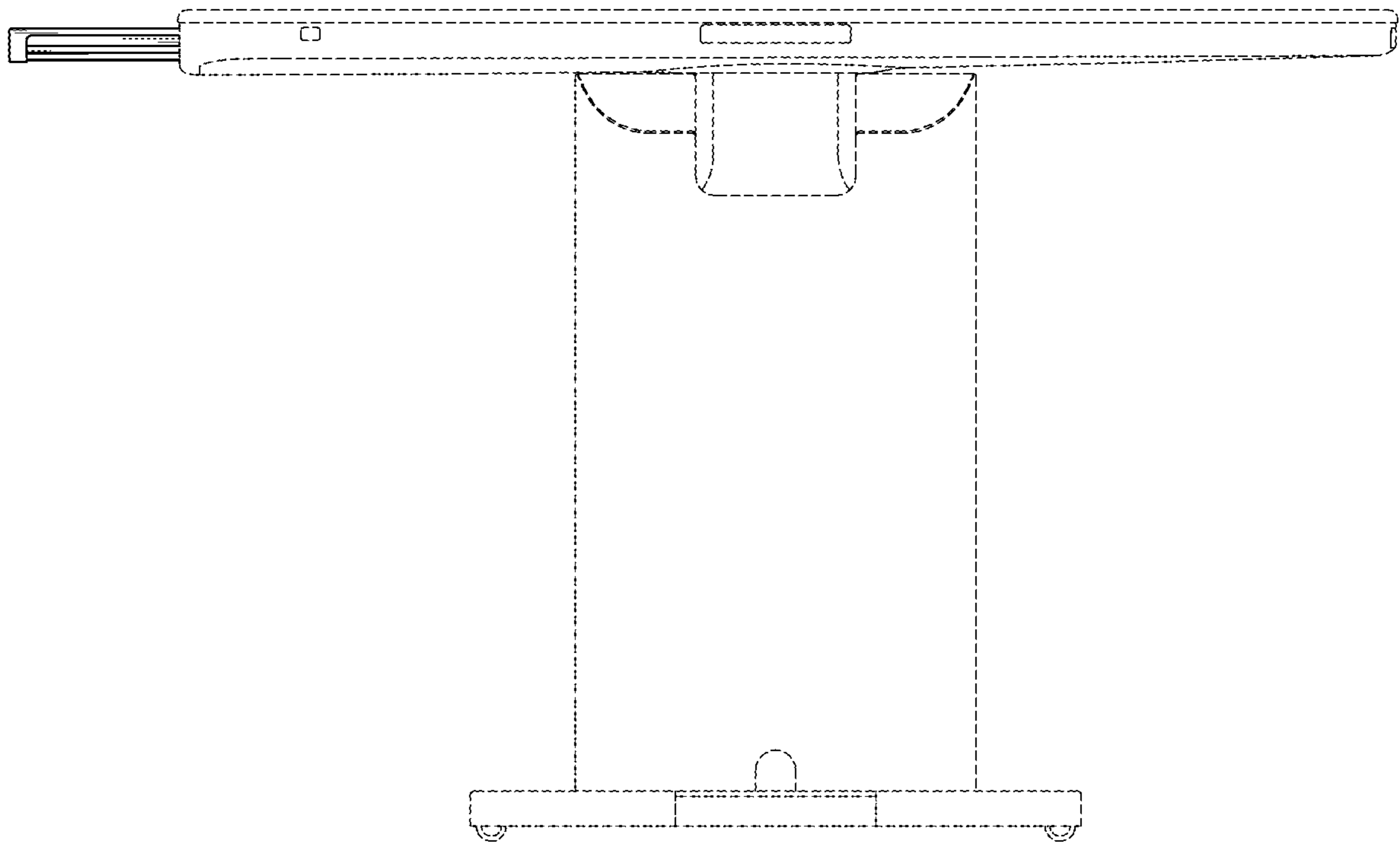
*FIG. 1*



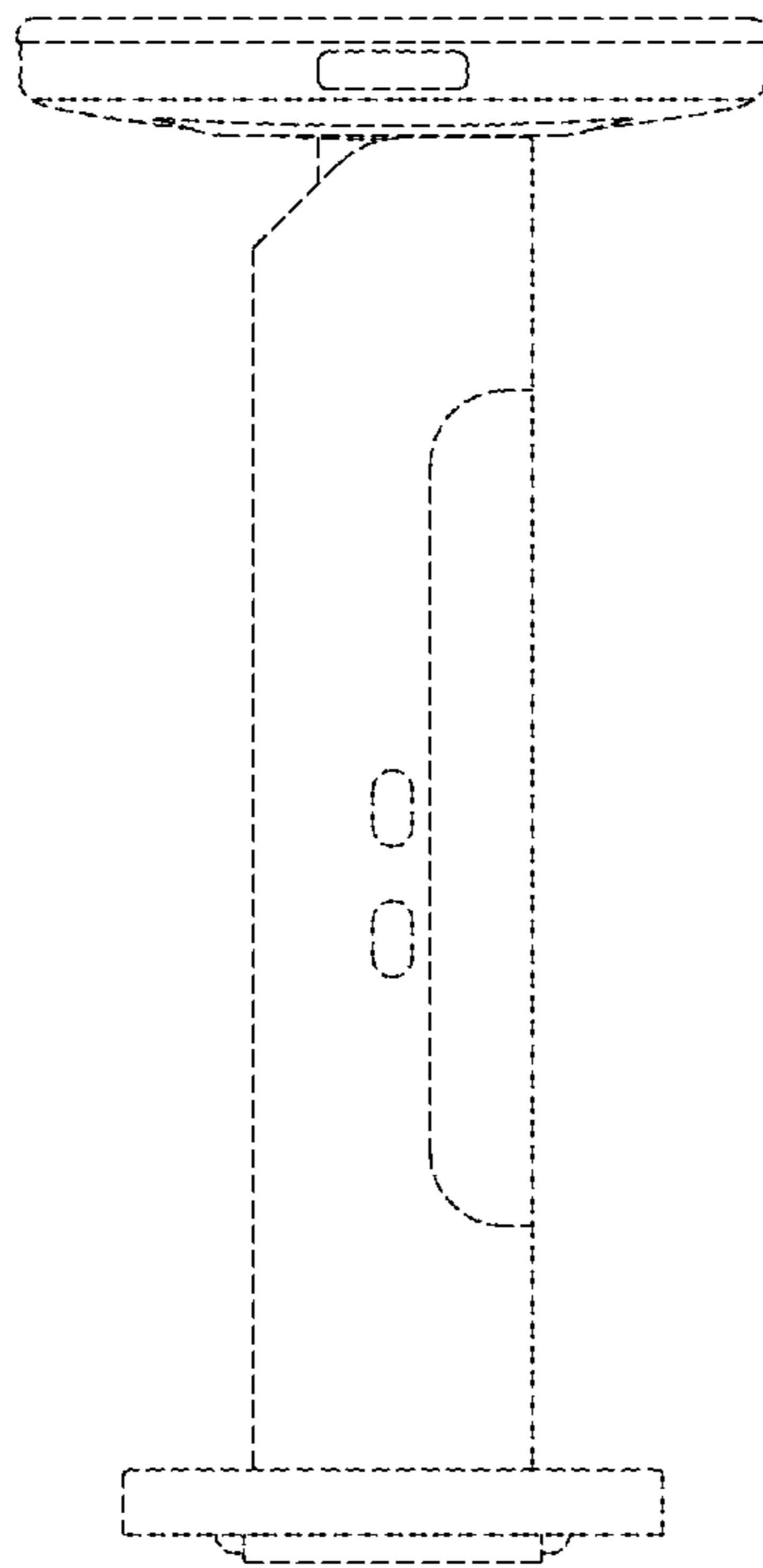
*FIG. 2*



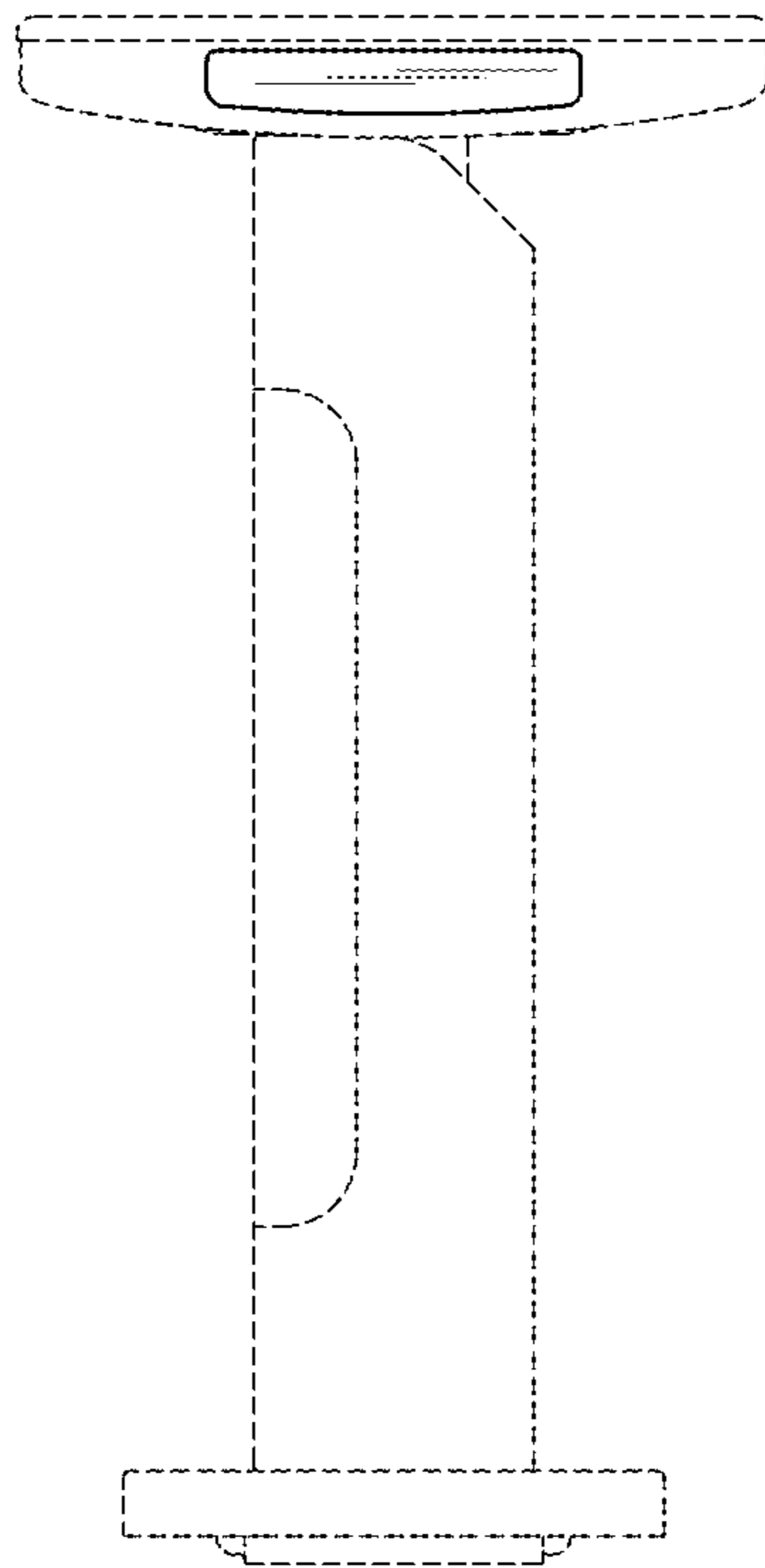
*FIG. 3*



*FIG. 4*



*FIG. 5*

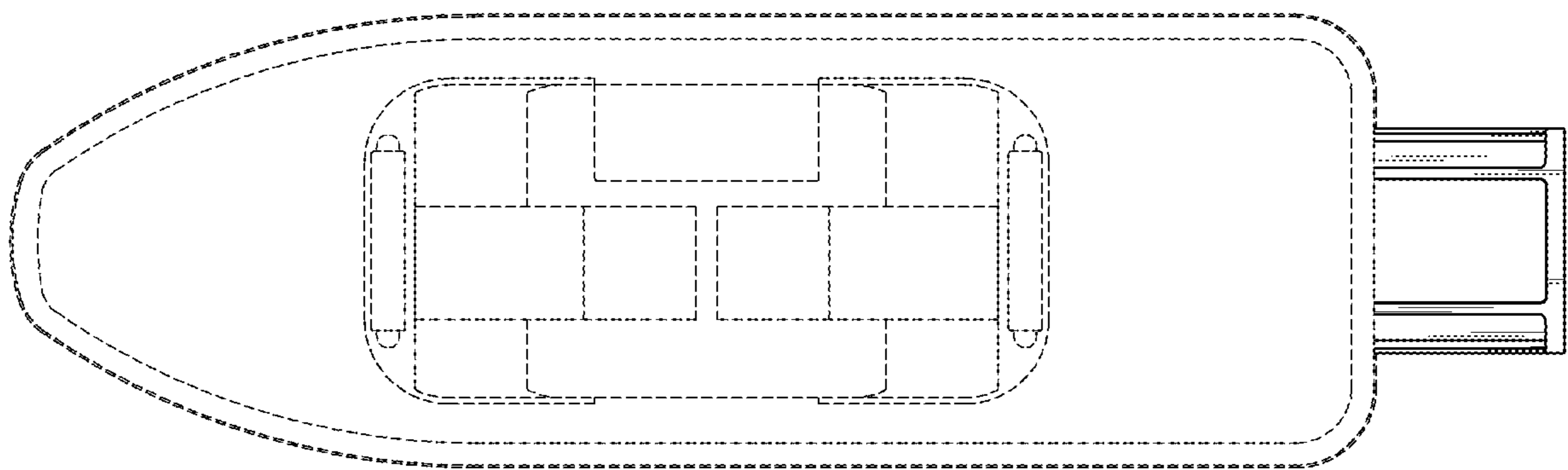


*FIG. 6*

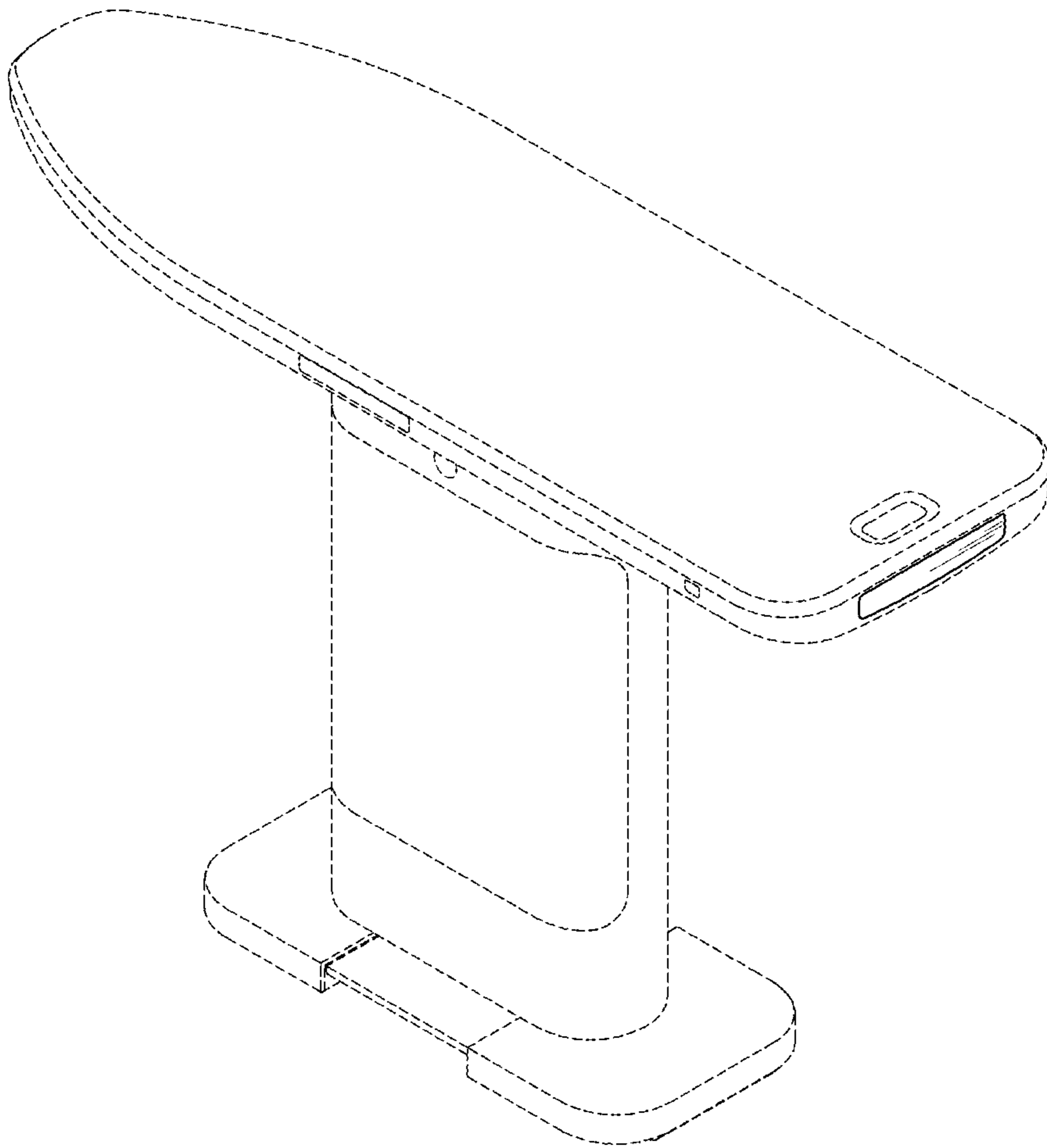




*FIG. 7*



*FIG. 8*



*FIG. 9*

