



US00D937521S

(12) **United States Design Patent**  
**Kang et al.**

(10) **Patent No.:** **US D937,521 S**

(45) **Date of Patent:** **\*\* Nov. 30, 2021**

(54) **SHOE CARE DEVICE**

(71) Applicant: **LG ELECTRONICS INC.**, Seoul (KR)

(72) Inventors: **Seokkyu Kang**, Seoul (KR); **Heejae Kim**, Seoul (KR); **Kyoungju Ryu**, Seoul (KR); **Jayoen Kim**, Seoul (KR); **Heesu Yang**, Seoul (KR); **Sharim Choe**, Seoul (KR)

(73) Assignee: **LG ELECTRONICS INC.**, Seoul (KR)

(\*\*) Term: **15 Years**

(21) Appl. No.: **29/727,317**

(22) Filed: **Mar. 10, 2020**

(30) **Foreign Application Priority Data**

Oct. 16, 2019 (KR) ..... 30-2019-0049283

(51) **LOC (13) Cl.** ..... **07-05**

(52) **U.S. Cl.**  
USPC ..... **D32/59**

(58) **Field of Classification Search**  
USPC ..... D20/32; D32/1, 8, 58, 59  
CPC ..... A47L 23/205; A47L 23/20; D06F 58/04; D06F 59/06; F26B 21/008; F26B 11/00; F26B 9/003

See application file for complete search history.

(56) **References Cited**

**U.S. PATENT DOCUMENTS**

- 1,493,294 A \* 5/1924 Timberlake ..... D06F 59/06 223/75
  - 1,568,998 A \* 1/1926 Bruce ..... A47L 23/20 211/35
  - D116,801 S \* 9/1939 Freilich ..... D20/32
- (Continued)

**OTHER PUBLICATIONS**

Dry Guy <https://www.rei.com/product/891155/dryguy-travel-dry-dx-boot-dryer> (Year: 2017).\*

(Continued)

*Primary Examiner* — Michelle E. Wilson

*Assistant Examiner* — Richard E Yenchesky

(74) *Attorney, Agent, or Firm* — Birch, Stewart, Kolasch & Birch, LLP

(57) **CLAIM**

We claim the ornamental design for a shoe care device, as shown and described.

**DESCRIPTION**

FIG. 1 is a perspective view of a shoe care device showing the new design;

FIG. 2 is a front elevation view thereof;

FIG. 3 is a rear elevation view thereof;

FIG. 4 is a left-side elevation view thereof;

FIG. 5 is a right-side elevation view thereof;

FIG. 6 is a top plan view thereof;

FIG. 7 is a bottom plan view thereof;

FIG. 8 is a cross sectional view taken along the line A-A of FIG. 2;

FIG. 9 is a perspective view of a shoe care device showing an arm insert for shoes in descended state;

FIG. 10 is a front elevation view thereof;

FIG. 11 is a rear elevation view thereof;

FIG. 12 is a left-side elevation view thereof;

FIG. 13 is a right-side elevation view thereof;

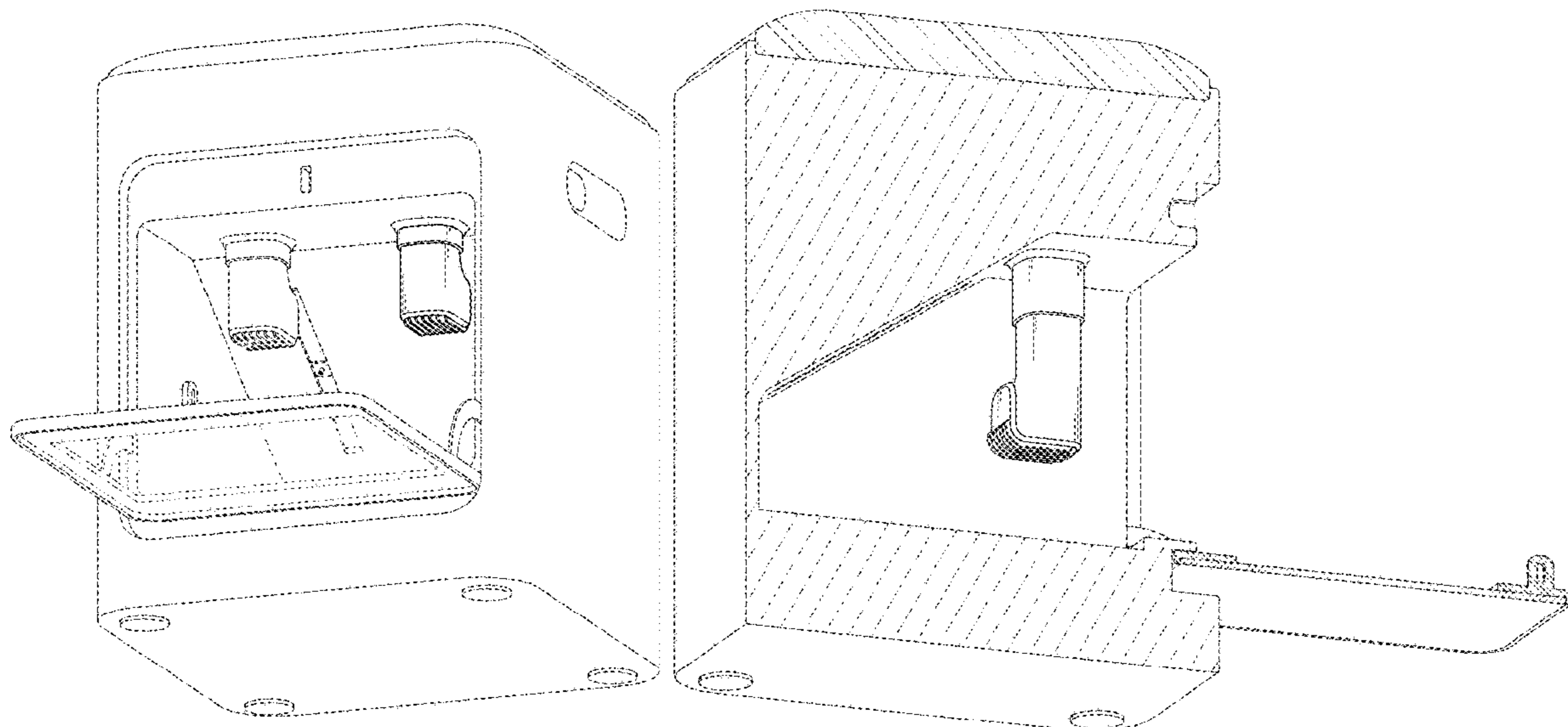
FIG. 14 is a top plan view thereof;

FIG. 15 is a bottom plan view thereof; and,

FIG. 16 is a cross sectional view taken along the line B-B of FIG. 10.

Broken lines illustrate environmental condition only and form no part of the claimed design.

**1 Claim, 16 Drawing Sheets**



(56)

References Cited

U.S. PATENT DOCUMENTS

2,453,183 A \* 11/1948 Bersudsky ..... D06F 59/06  
 223/77  
 D218,847 S \* 9/1970 Specht ..... D32/59  
 D221,798 S \* 9/1971 Merritt ..... D32/59  
 D310,742 S \* 9/1990 Johnson ..... D32/58  
 D350,633 S \* 9/1994 Wong ..... D32/59  
 5,692,316 A \* 12/1997 Antal ..... A47L 23/205  
 34/106  
 D412,231 S \* 7/1999 Williams ..... D32/58  
 D412,381 S \* 7/1999 Peet ..... D32/58  
 6,374,509 B1 \* 4/2002 Jackson, Sr. .... D06F 58/04  
 34/106  
 6,591,517 B1 \* 7/2003 Moore ..... A47L 23/20  
 34/104  
 D496,502 S \* 9/2004 Cheng ..... D32/1  
 D519,255 S \* 4/2006 Peet ..... D32/59  
 D565,260 S \* 3/2008 Lam ..... D32/8  
 D653,007 S \* 1/2012 Beckett ..... D32/8  
 8,186,075 B2 \* 5/2012 Beckett ..... A47L 23/205  
 34/106  
 9,635,998 B2 \* 5/2017 Dowell ..... A47L 23/20  
 D830,658 S \* 10/2018 Paffrath ..... D32/59  
 10,870,944 B2 \* 12/2020 Smoots ..... F26B 21/008  
 D913,617 S \* 3/2021 Santiago ..... D32/35

D924,517 S \* 7/2021 Smoots ..... D32/58  
 2004/0010931 A1 \* 1/2004 Naljotov ..... A47L 23/205  
 34/104  
 2007/0277391 A1 \* 12/2007 Beckett ..... A47L 23/205  
 34/443  
 2009/0193676 A1 \* 8/2009 Shengguang ..... A47L 23/205  
 34/106  
 2011/0167665 A1 \* 7/2011 Peet ..... F26B 9/003  
 34/218  
 2016/0076191 A1 \* 3/2016 Warren ..... D06F 58/04  
 34/239  
 2021/0071950 A1 \* 3/2021 Ohnari ..... F26B 11/00

OTHER PUBLICATIONS

Kooder dryer [https://www.amazon.com/Kooder-dryer-Dryer-Drying-Eliminate/product-reviews/B08CMHP8XV/ref=cm\\_cr\\_getr\\_d\\_paging\\_btm\\_next\\_7](https://www.amazon.com/Kooder-dryer-Dryer-Drying-Eliminate/product-reviews/B08CMHP8XV/ref=cm_cr_getr_d_paging_btm_next_7) (Year: 2020).  
 Kwik Goal Dryer <https://www.dickssportinggoods.com/p/kwik-goal-shoe-dryer-20kgoushdryrxxxxxsca/20kgoushdryrxxxxxsca> (Year: 2021).  
 Pamlini <https://www.dickssportinggoods.com/p/kwik-goal-shoe-dryer-20kgoushdryrxxxxxsca/20kgoushdryrxxxxxsca?sku=21769404> (Year: 2021).

\* cited by examiner

FIG. 1

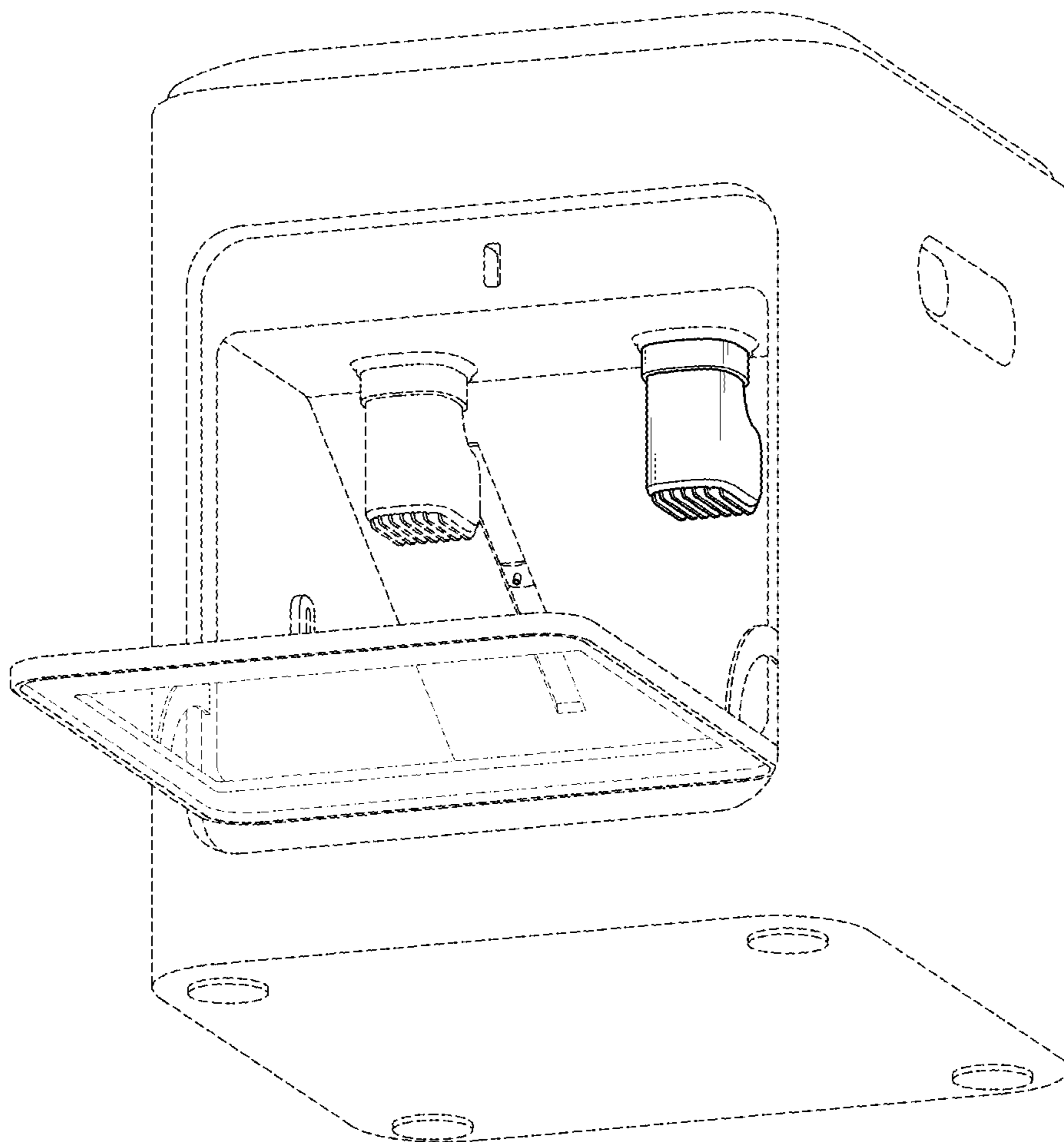


FIG. 2

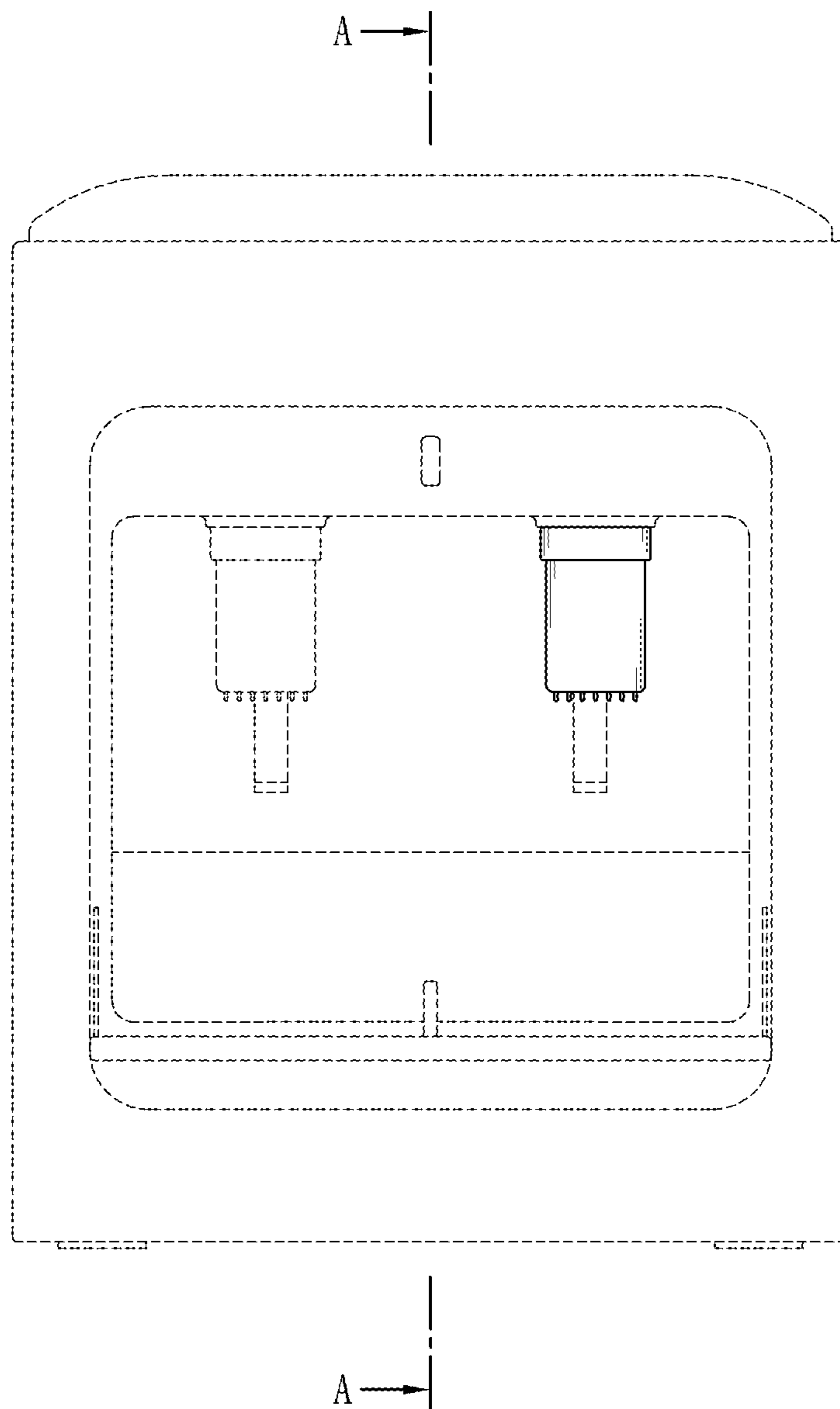


FIG. 3



FIG. 4

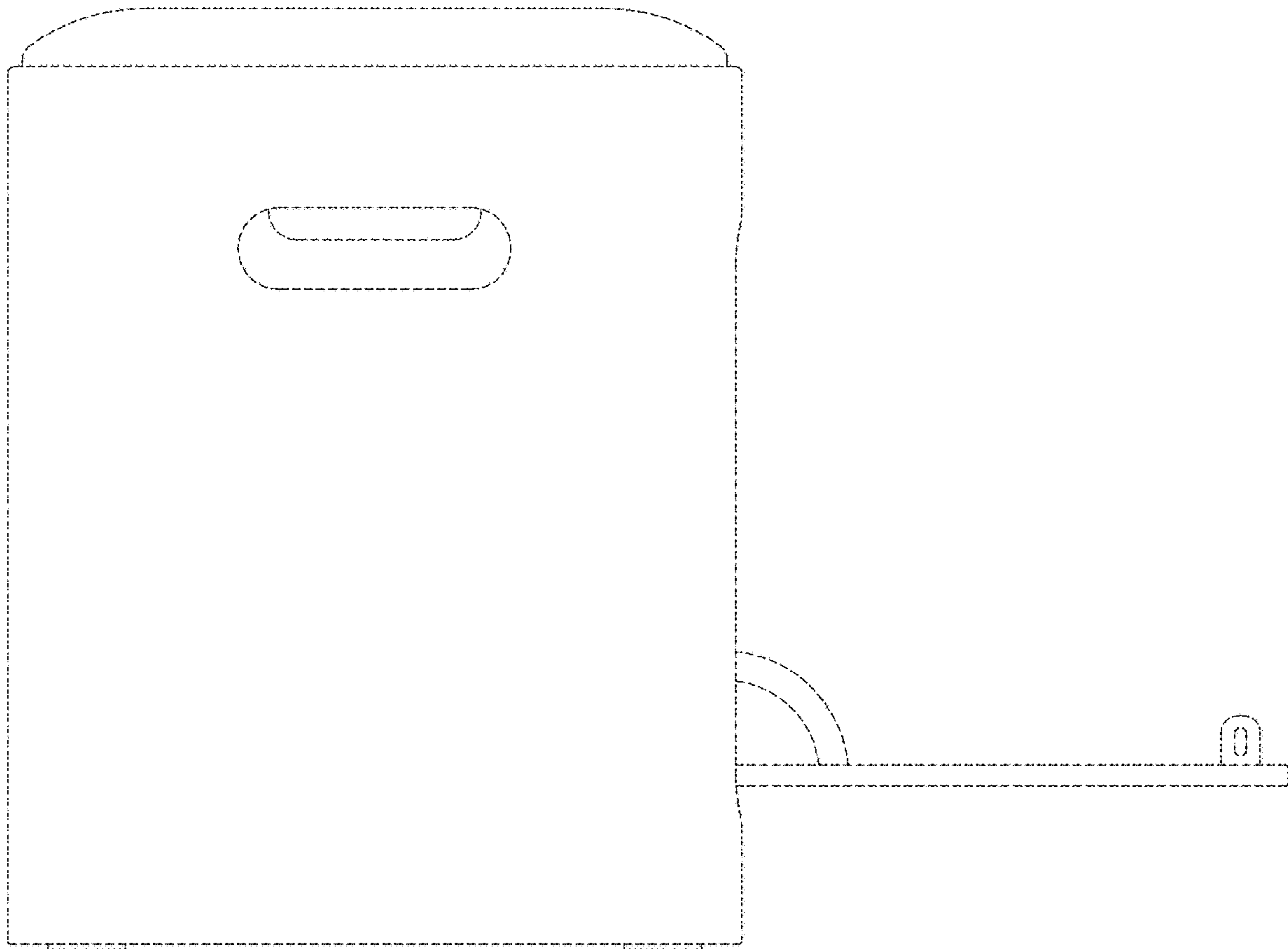


FIG. 5

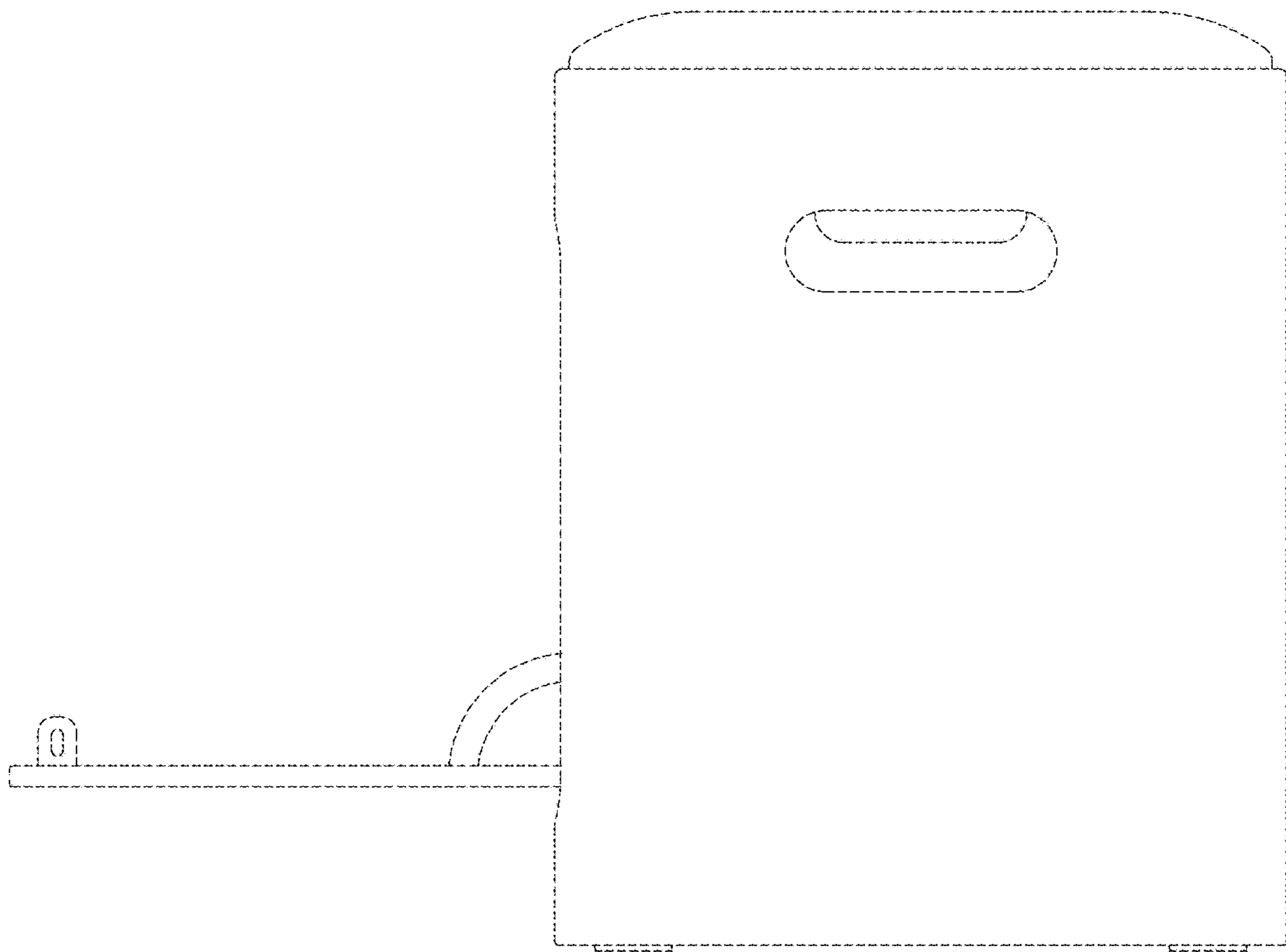


FIG. 6

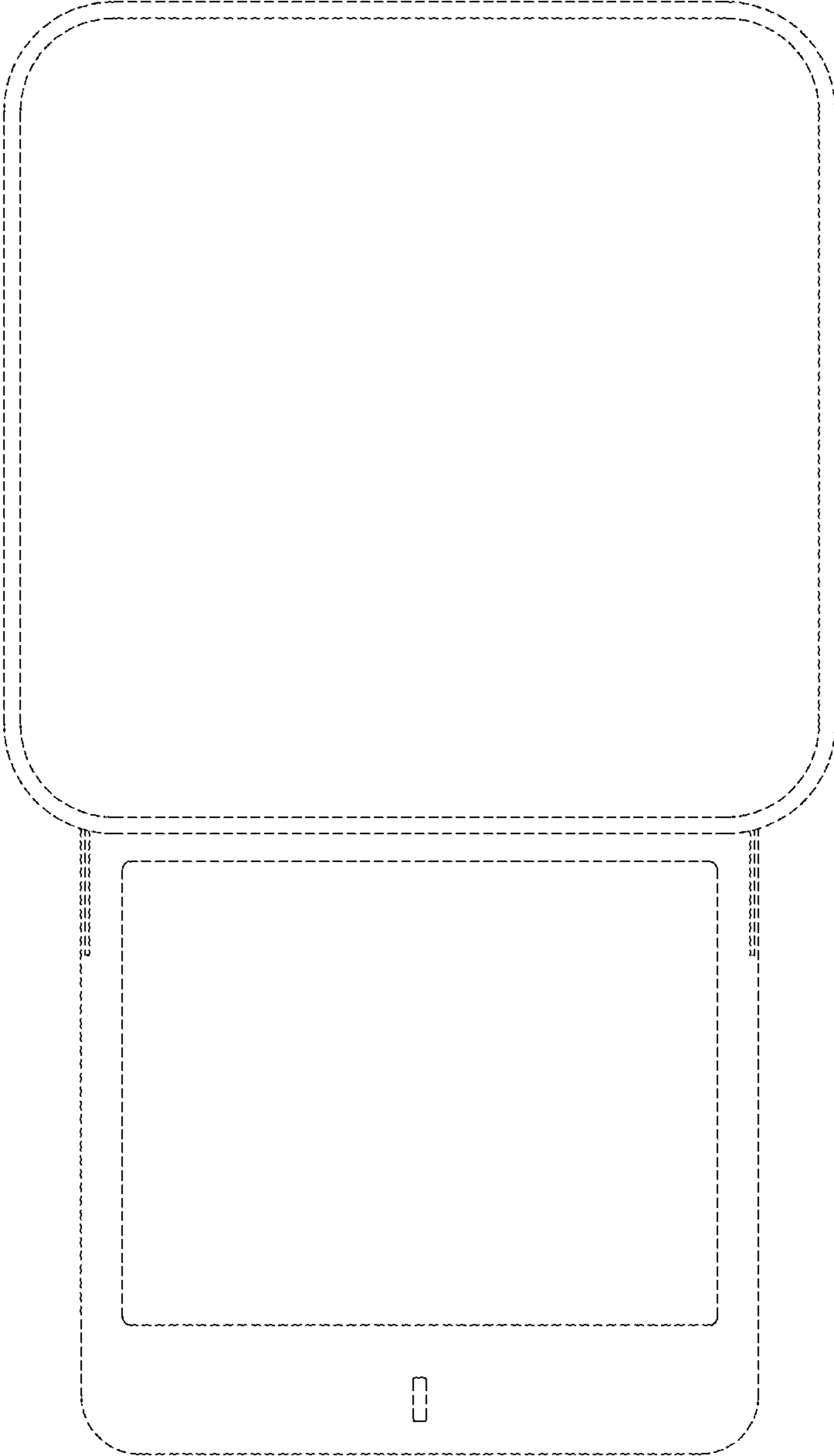




FIG. 7

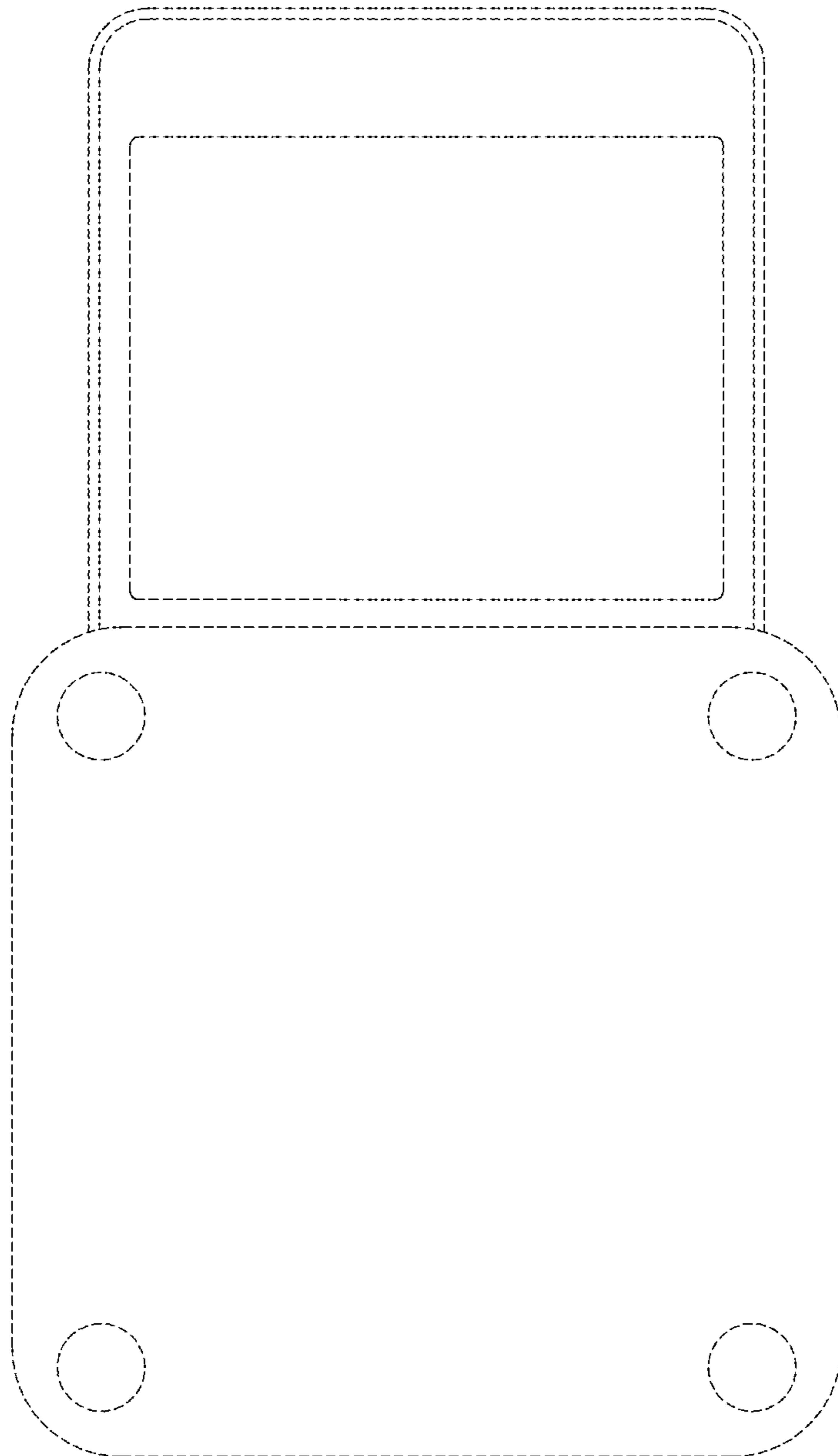


FIG. 8

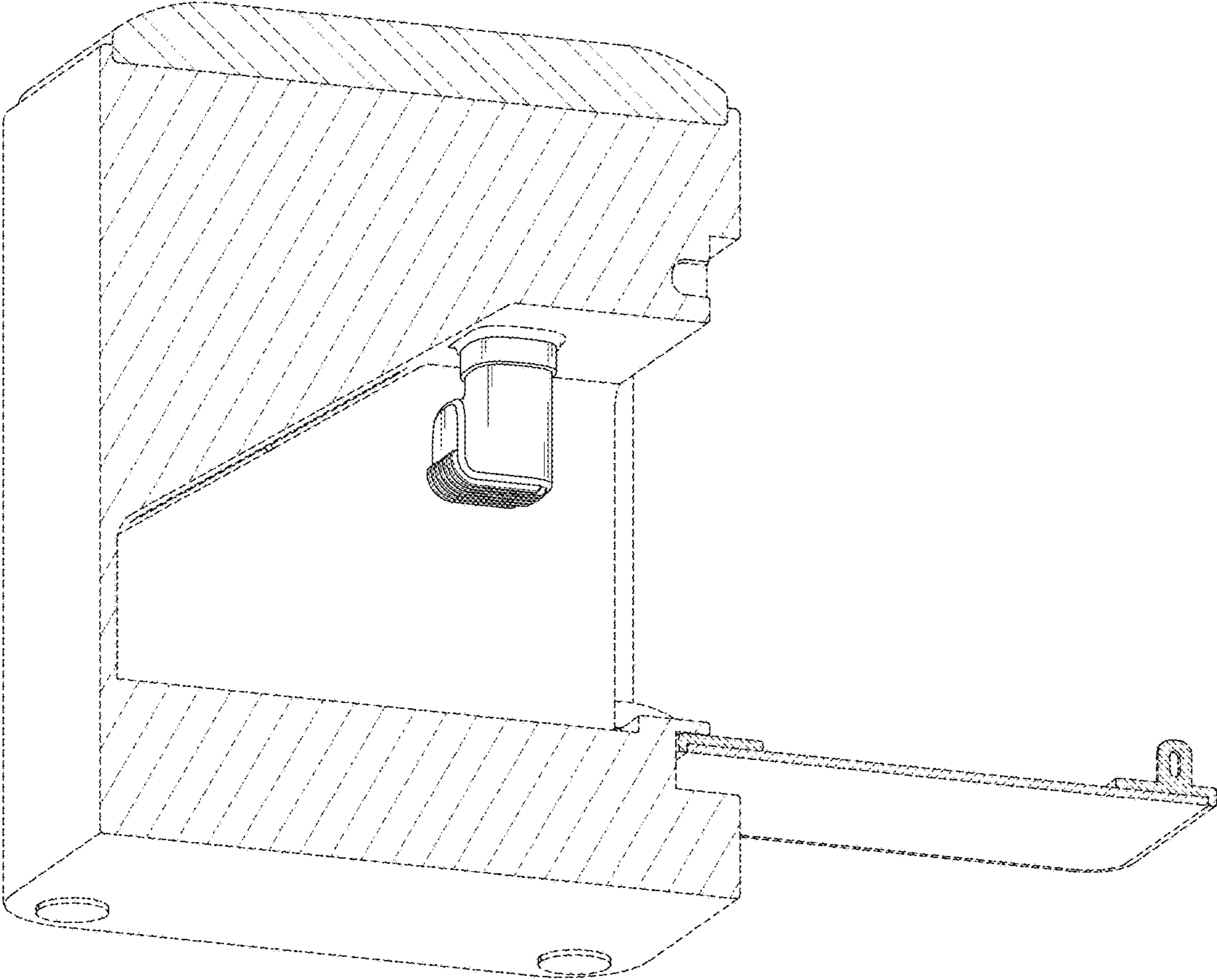


FIG. 9

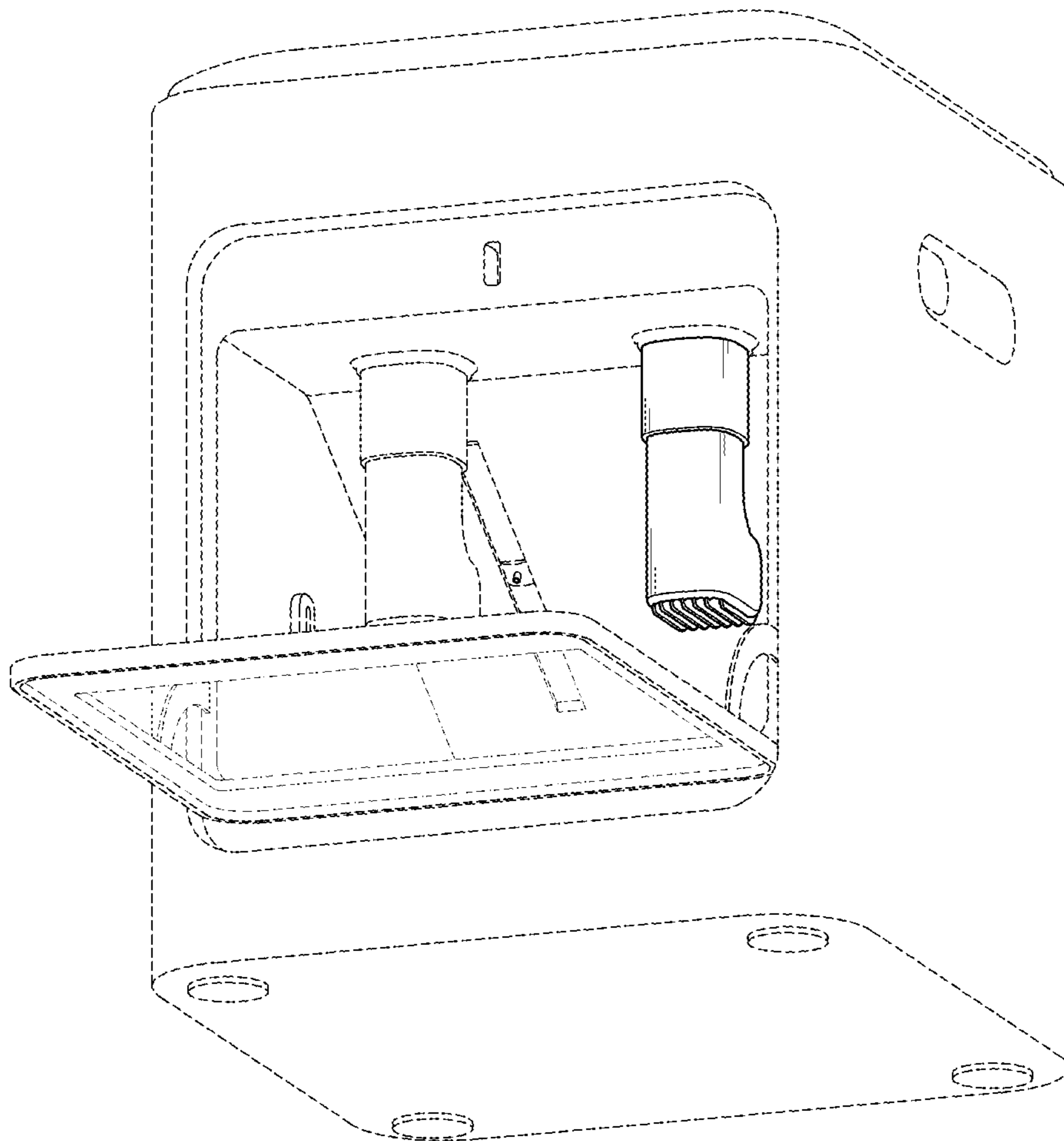


FIG. 10

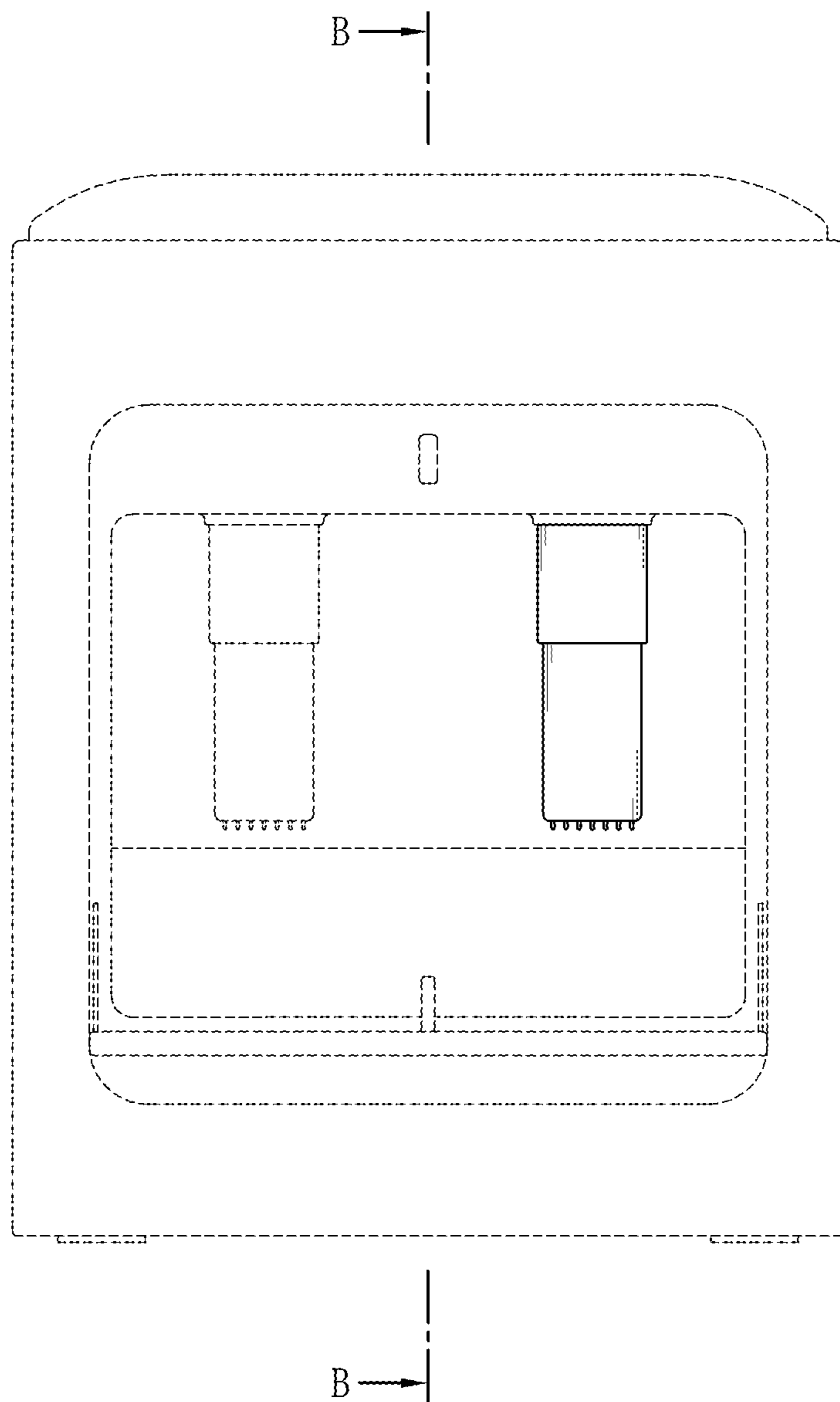


FIG. 11



FIG. 12

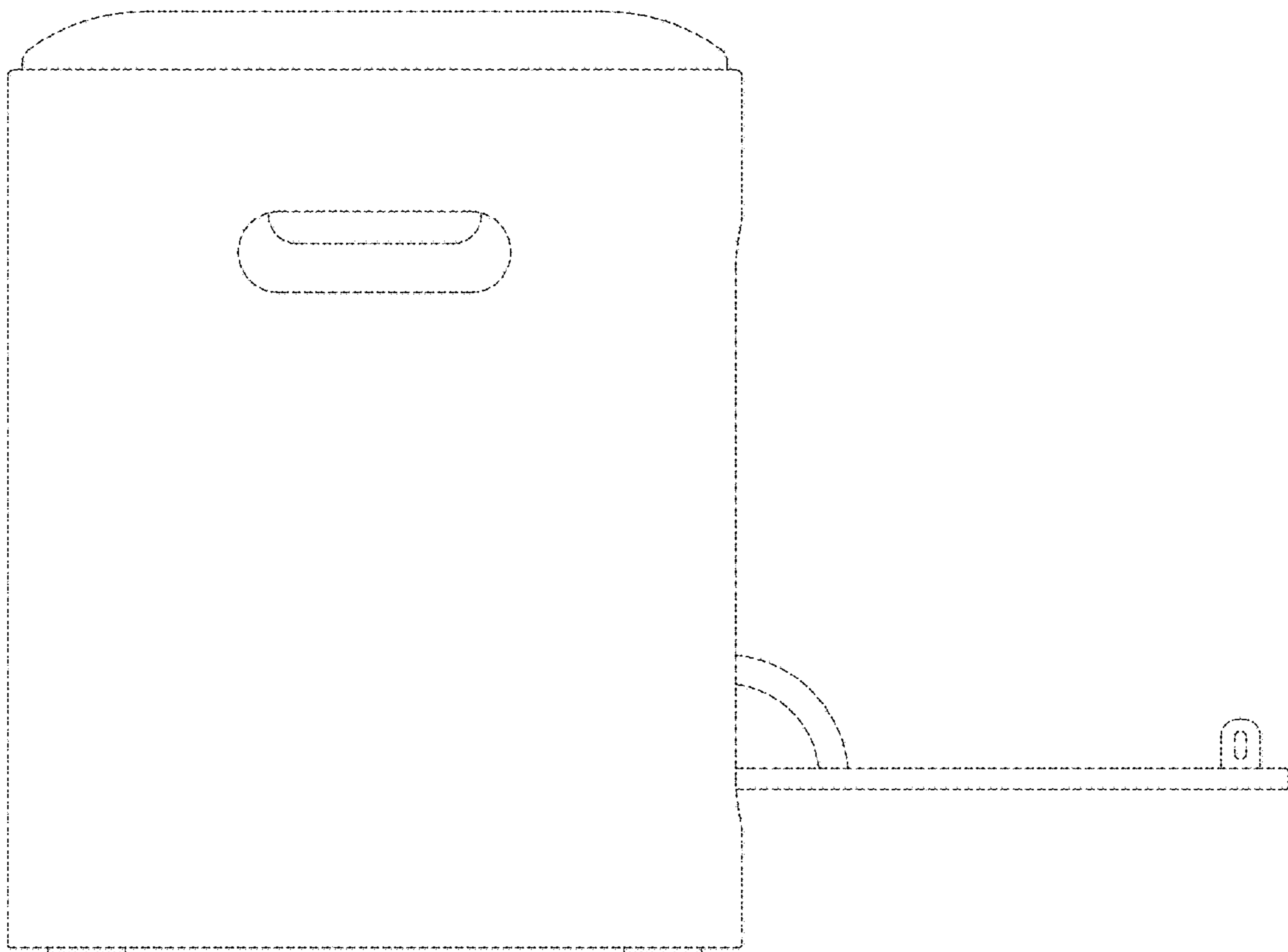


FIG. 13

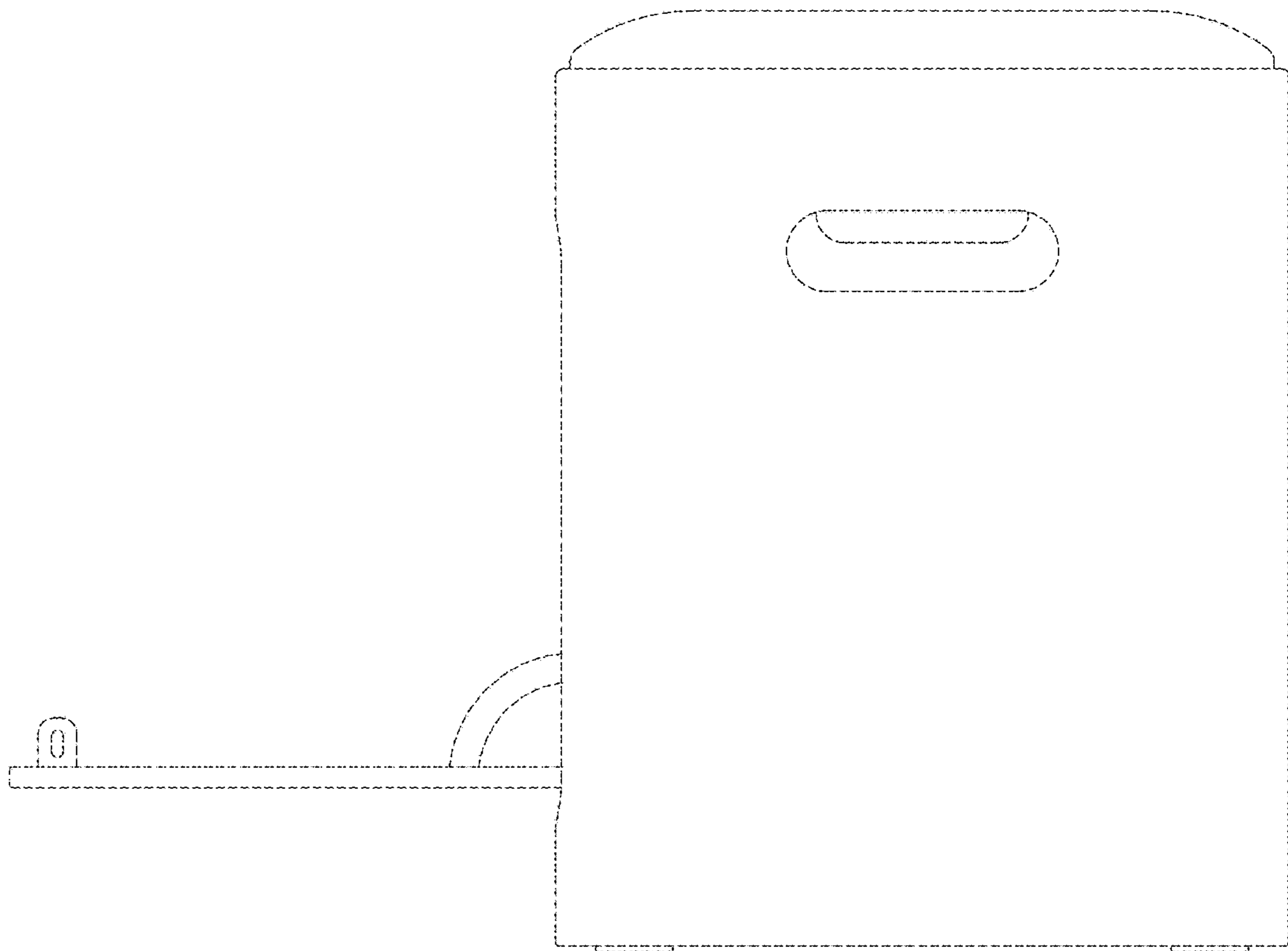


FIG. 14

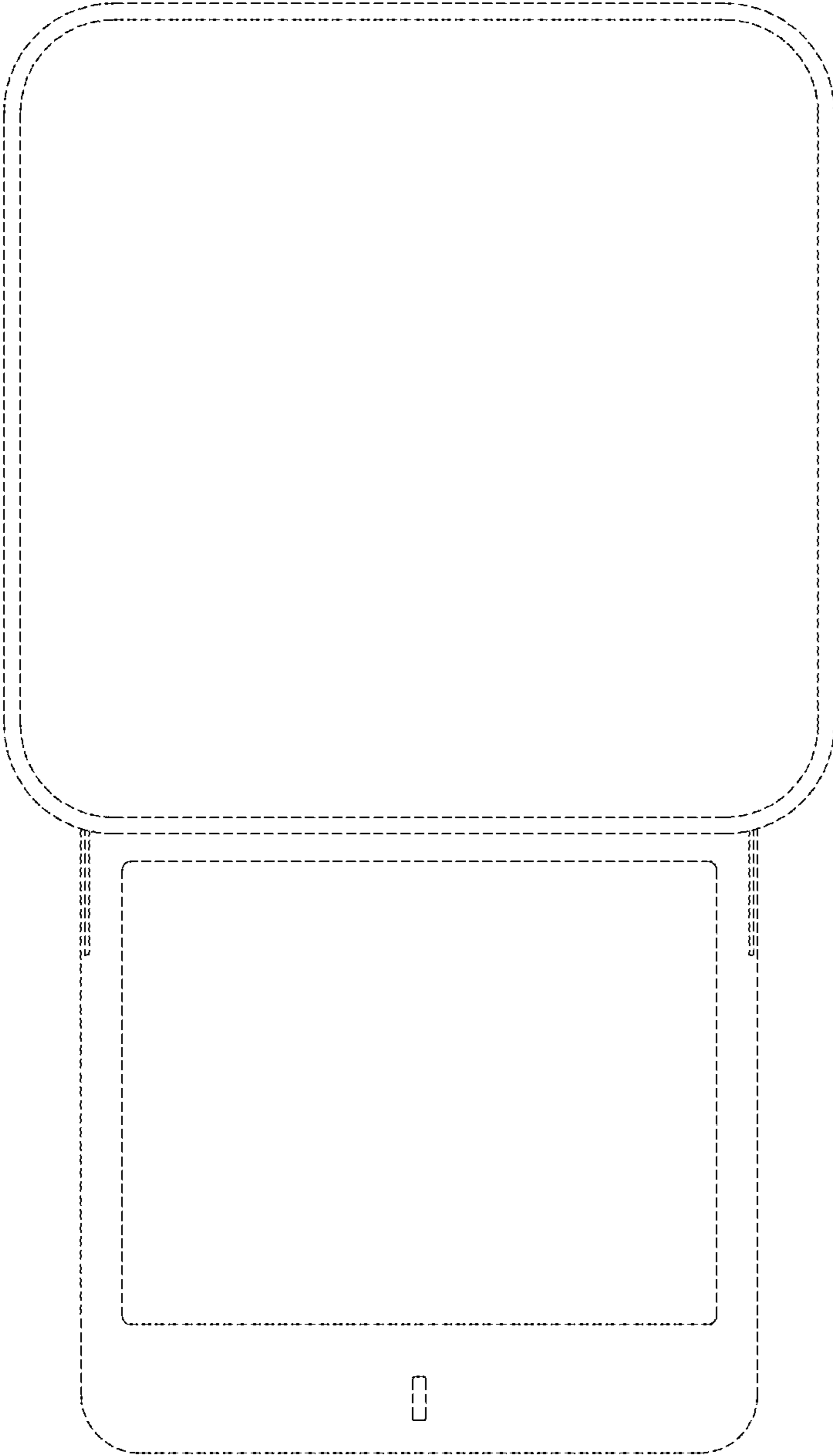




FIG. 15

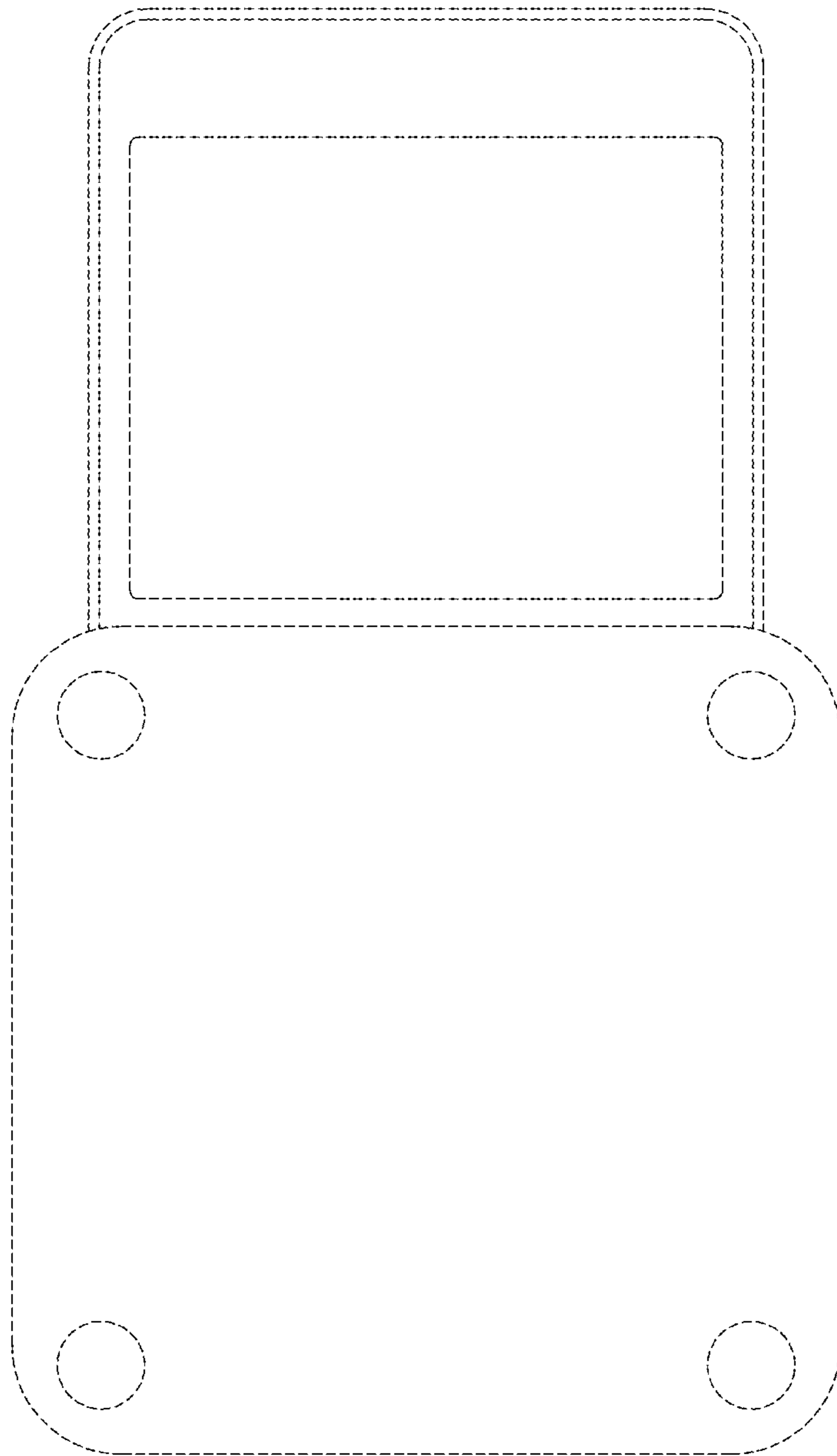


FIG. 16

