



US00D937520S

(12) **United States Design Patent** (10) **Patent No.:** **US D937,520 S**
Cannon et al. (45) **Date of Patent:** **** Nov. 30, 2021**

(54) **CLEANING DEVICE** 7,127,772 B2 * 10/2006 Dingert A47L 13/12
15/228
(71) Applicant: **The Procter & Gamble Company,** D657,928 S * 4/2012 Byrne D32/50
Cincinnati, OH (US) D660,533 S * 5/2012 Hill D32/45
D664,729 S * 7/2012 Robertson D32/50
(72) Inventors: **William Michael Cannon,** Harrison, IN D673,748 S * 1/2013 Snyder D32/50
(US); **Richard Christopher Hagee,** D8425,137 B1 * 4/2013 Sampaio A47L 13/22
Cincinnati, OH (US); **Victoria Jung,** 401/139
Cincinnati, OH (US); **John Charles** D765,330 S * 8/2016 Lentine D32/45
Van Rens, Cincinnati, OH (US); **Kerry** D806,338 S * 12/2017 Metzel D32/45
Lloyd Weaver, Florence, KY (US) 10,034,592 B2 * 7/2018 Vrdoljak A47L 13/225
D834,778 S * 11/2018 Palladino D32/45
D866,895 S * 11/2019 McDonnell D32/45
(73) Assignee: **The Procter & Gamble Company,** D922,712 S * 6/2021 Harrington D32/50
Cincinnati, OH (US) 2006/0195996 A1 * 9/2006 Petner A47L 13/12
15/118
2007/0240268 A1 * 10/2007 Le A47L 13/20
15/98
(**) Term: **15 Years** (Continued)

(21) Appl. No.: **29/723,643**

FOREIGN PATENT DOCUMENTS

(22) Filed: **Feb. 10, 2020**
(51) **LOC (13) Cl.** **07-05**
(52) **U.S. Cl.**
USPC **D32/45**
(58) **Field of Classification Search**
USPC D32/45, 50-52; D4/134-135, 199
CPC A47L 13/24; A47L 13/25; A47L 13/20;
A47L 13/12
See application file for complete search history.

CN 305688934 * 4/2020 15/5

Primary Examiner — John R Yeh
(74) *Attorney, Agent, or Firm* — Gary J. Foose

(57) **CLAIM**

The ornamental design for a cleaning device, as shown and described.

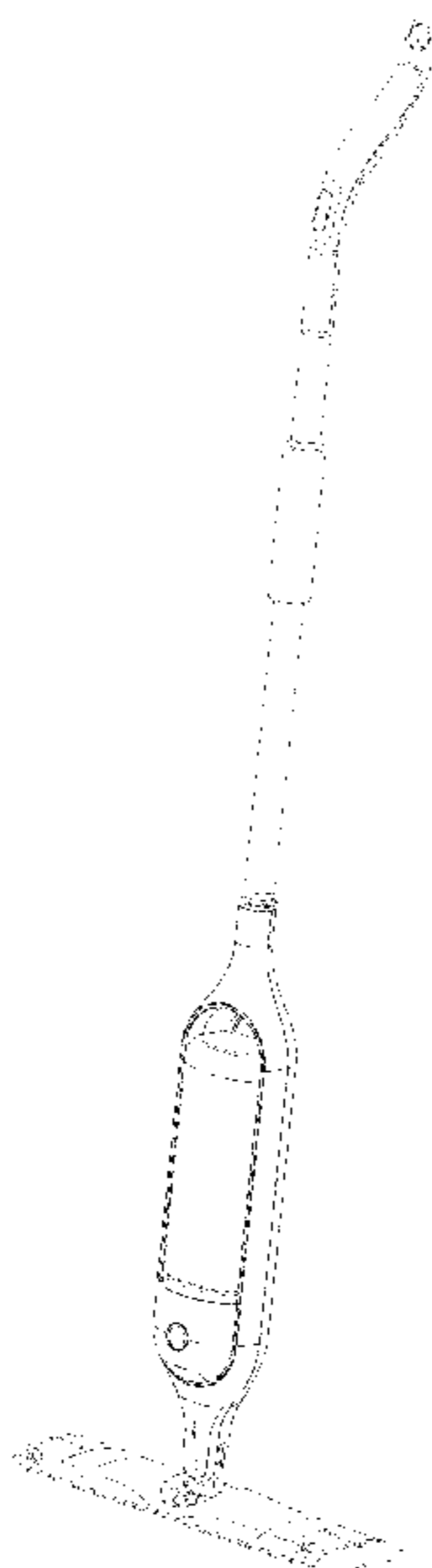
DESCRIPTION

FIG. 1 is a front perspective view of a cleaning device embodying our new design;
FIG. 2 is a front view thereof;
FIG. 3 is a left side view thereof;
FIG. 4 is a back view thereof;
FIG. 5 is a right side view thereof;
FIG. 6 is a top view thereof; and,
FIG. 7 is a bottom view thereof.
The broken lines in the drawings depict portions of the cleaning device that form no part of the claimed design.

(56) **References Cited**
U.S. PATENT DOCUMENTS

3,363,948 A * 1/1968 Carter F16B 2/065
403/233
D401,703 S * 11/1998 Beechuk D32/45
D458,427 S * 6/2002 Kunkler D32/45
D482,829 S * 11/2003 Vosbikian D32/45
D487,174 S * 2/2004 Colman D32/45
6,836,923 B2 * 1/2005 Treacy A47L 13/25
15/147.2
D505,762 S * 5/2005 Lalanne D32/45

1 Claim, 4 Drawing Sheets



(56)

References Cited

U.S. PATENT DOCUMENTS

2013/0104327 A1* 5/2013 Borofsky A47L 13/12
15/115
2016/0256029 A1* 9/2016 Weaver A47L 13/12
2020/0253449 A1* 8/2020 Enger A47L 13/24

* cited by examiner

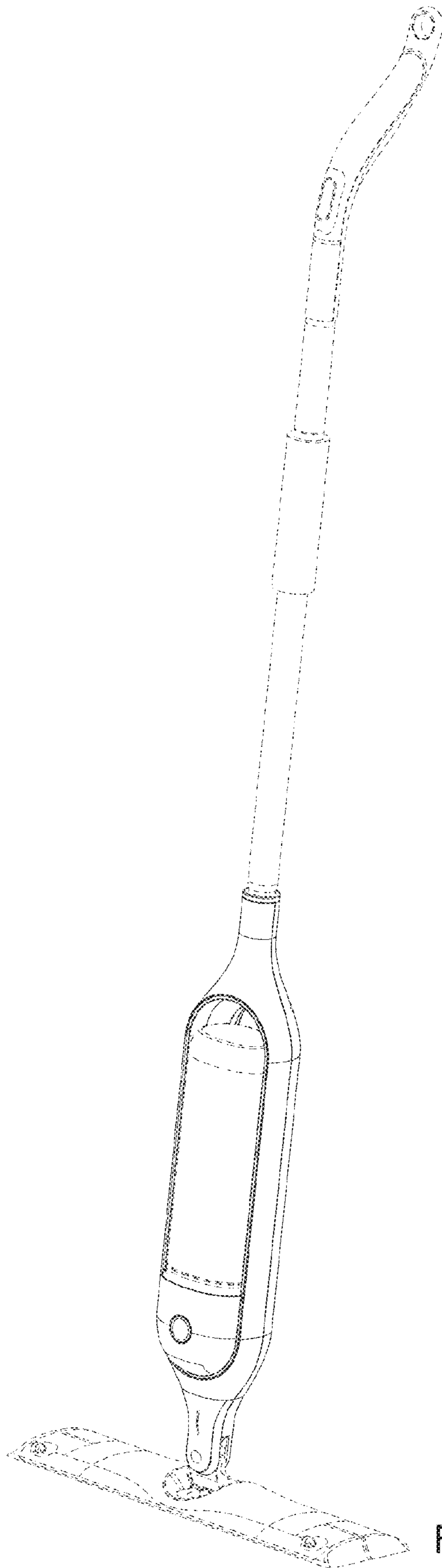


FIG. 1

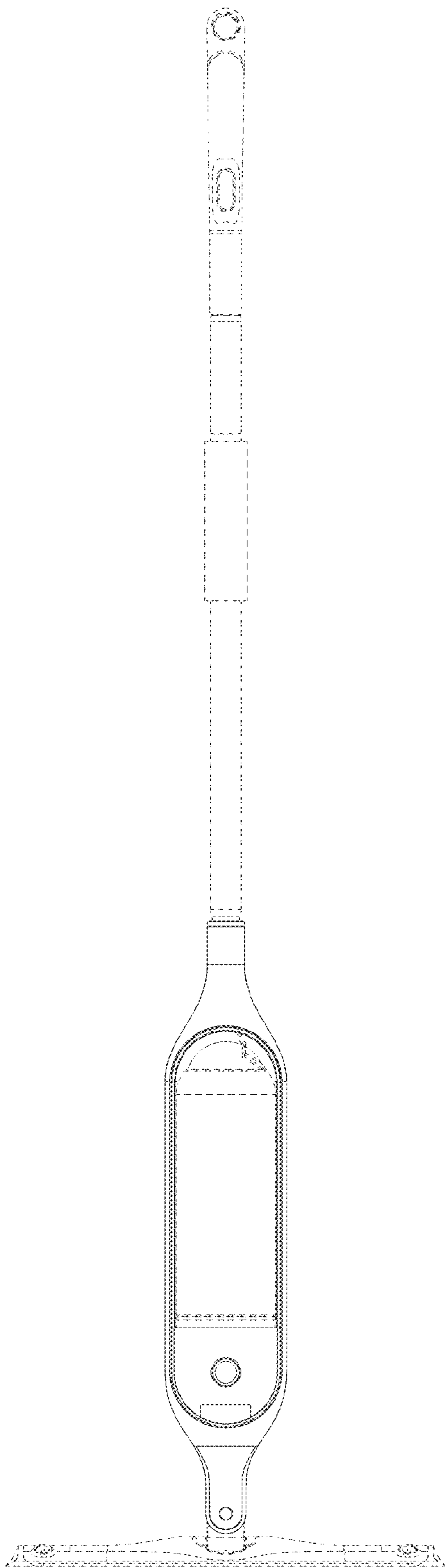


FIG. 2

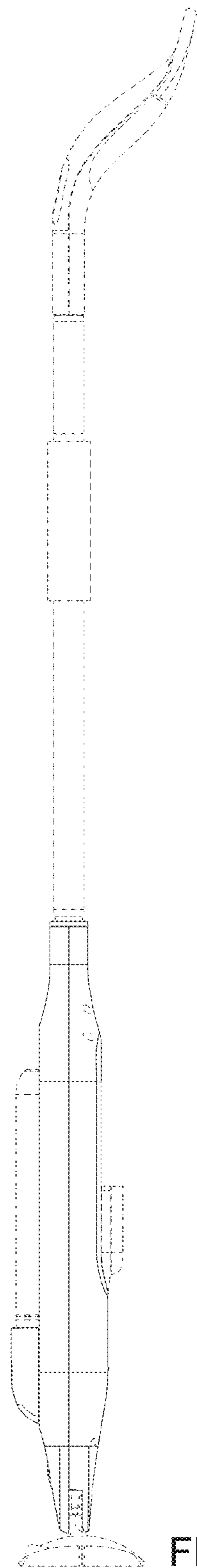


FIG. 3

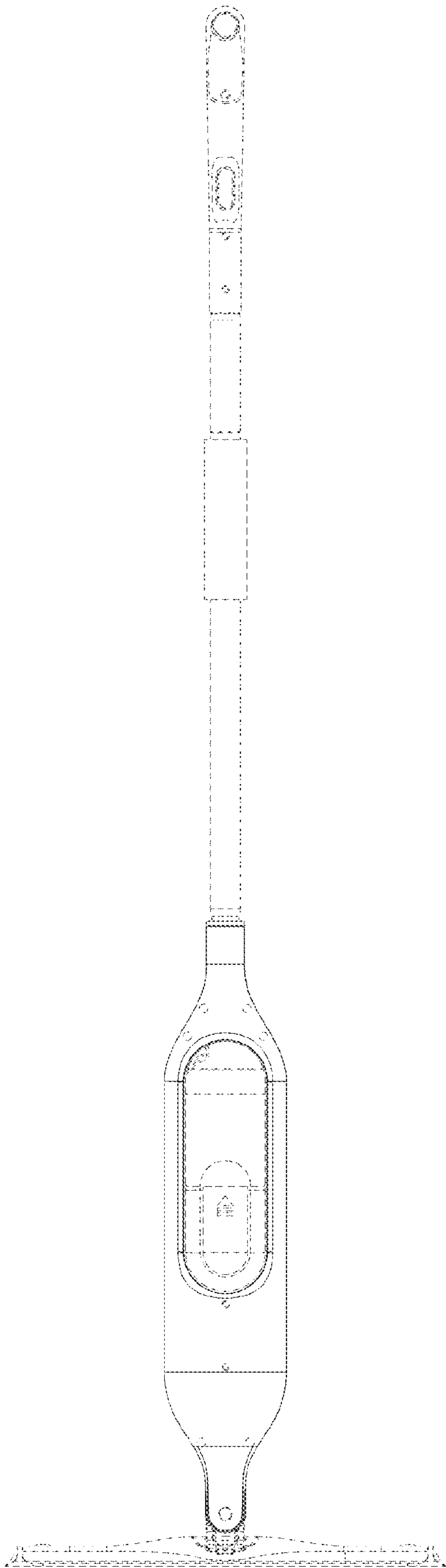


FIG. 4

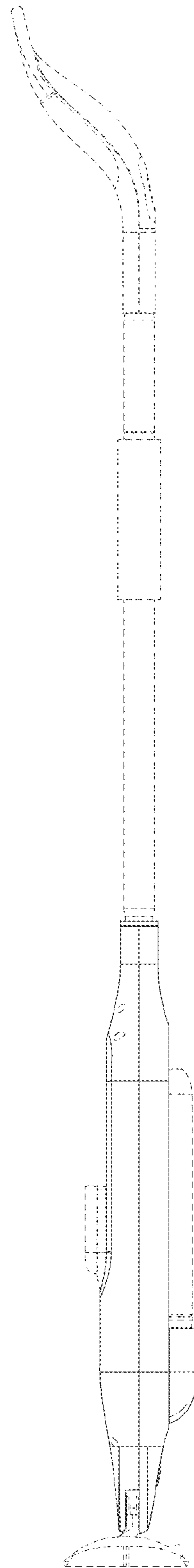


FIG. 5

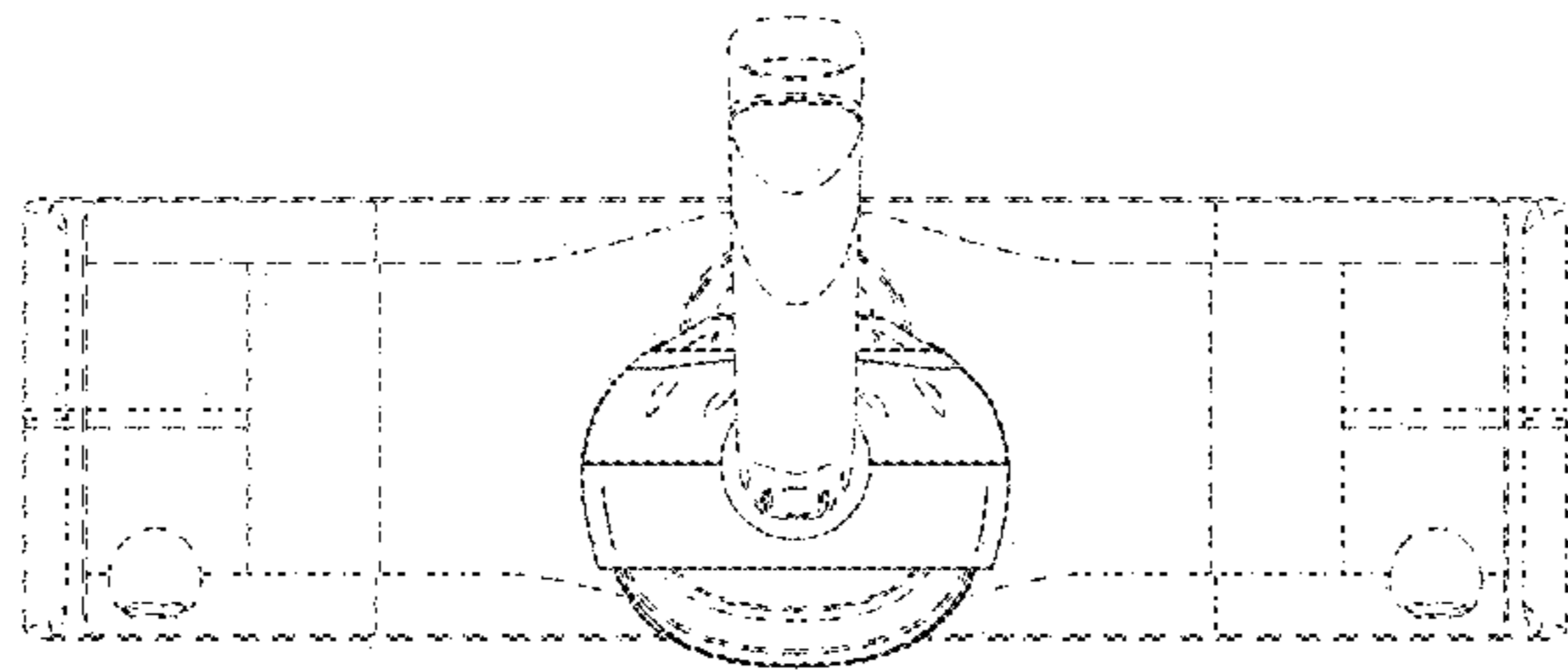


FIG. 6

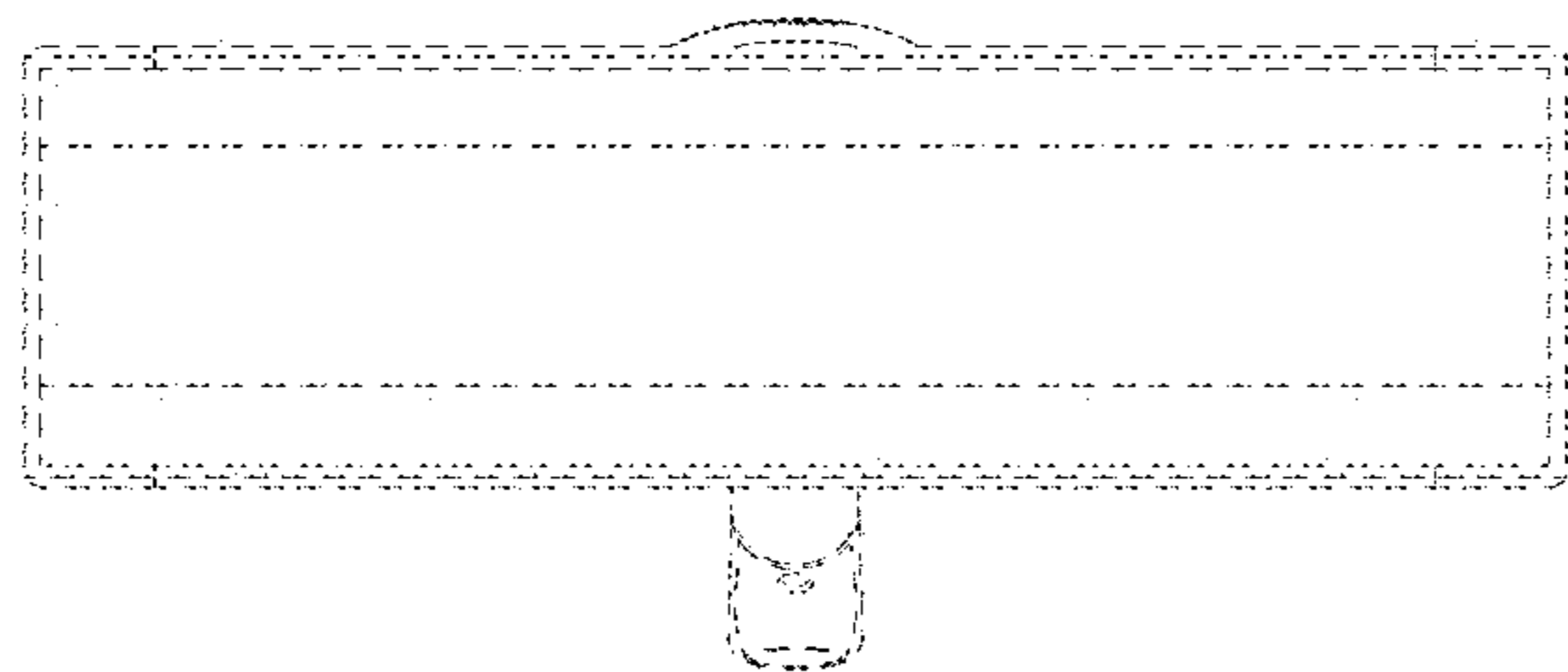


FIG. 7