



US00D937519S

(12) **United States Design Patent**
Tsai et al.

(10) **Patent No.:** **US D937,519 S**

(45) **Date of Patent:** **** Nov. 30, 2021**

(54) **LAUNDRY SORTER CART**

D753,940 S * 4/2016 Ruiz D6/681
D909,104 S * 2/2021 Lai D6/681.2

(71) Applicant: **EP Family Corp.**, Walnut, CA (US)

* cited by examiner

(72) Inventors: **Tsung-Yu Tsai**, Walnut, CA (US);
Hung-Chih Kuo, Walnut, CA (US)

Primary Examiner — Gino Colan

(74) *Attorney, Agent, or Firm* — Tommy SF Wang; Wang
IP Law Group, P.C.

(**) Term: **15 Years**

(57) **CLAIM**

The ornamental design for a laundry sorter cart, as shown
and described.

(21) Appl. No.: **29/682,116**

DESCRIPTION

(22) Filed: **Mar. 1, 2019**

(51) **LOC (13) Cl.** **09-04**

(52) **U.S. Cl.**

USPC **D32/37**

(58) **Field of Classification Search**

USPC D32/35, 37, 53; D6/681, 681.1, 675.5,
D6/548, 681.2

CPC A47F 7/24; A47F 5/13; A47F 7/19; A47G
25/0664; B62B 2202/65; B62B 11/00;
B62B 3/02

See application file for complete search history.

FIG. 1 is a perspective view of a laundry sorter cart showing
our new design;
FIG. 2 is a front view thereof;
FIG. 3 is a rear view thereof;
FIG. 4 is a left side view thereof;
FIG. 5 is a right side view thereof;
FIG. 6 is a top view thereof;
FIG. 7 is a bottom view thereof;
FIG. 8 is another perspective view thereof with laundry bags
installed therein;
FIG. 9 is an enlarged view of an indicated portion of FIG.
1; and,
FIG. 10 is an enlarged view of an indicated portion of FIG.
1.

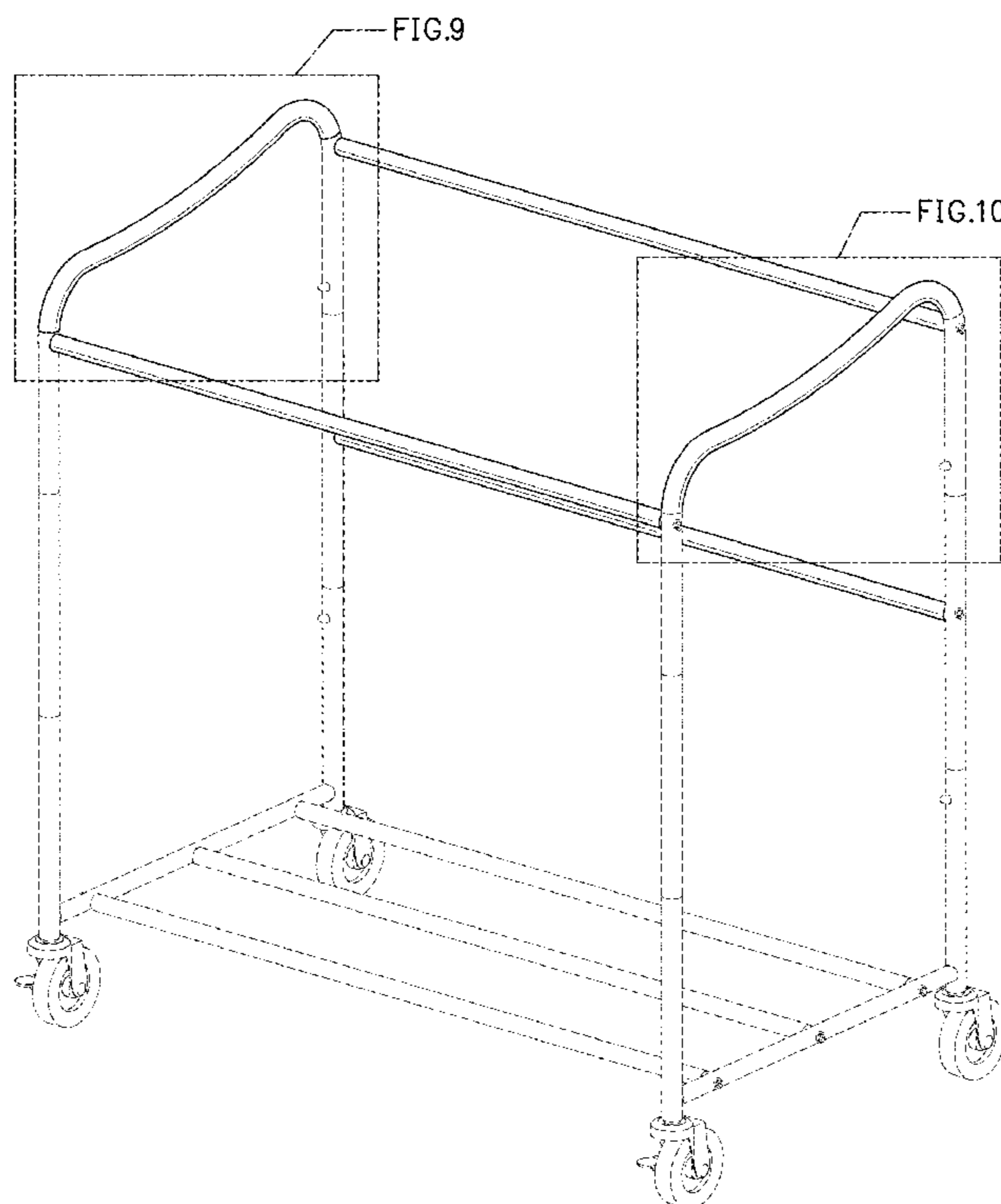
(56) **References Cited**

U.S. PATENT DOCUMENTS

D456,167 S * 4/2002 Harwanko D6/548
D475,551 S * 6/2003 Kelso D6/675.5
D491,742 S * 6/2004 Harwanko D6/681.1
D515,844 S * 2/2006 Pryor D6/681
D532,623 S * 11/2006 Tsai D6/675.5
D537,266 S * 2/2007 Ward D6/681.1
D733,984 S * 7/2015 Tsai D32/37

The broken line portions of the laundry sorter cart in FIGS.
1-10 represent unclaimed portions of the claimed design and
form no part thereof. The broken lines of the laundry bags
in FIG. 8 illustrate unclaimed environment and forms no part
of the claimed design. The dot-dash broken lines in FIGS.
1-5 and 8-10 represent unclaimed boundary lines and form
no part of the claimed design.

1 Claim, 9 Drawing Sheets



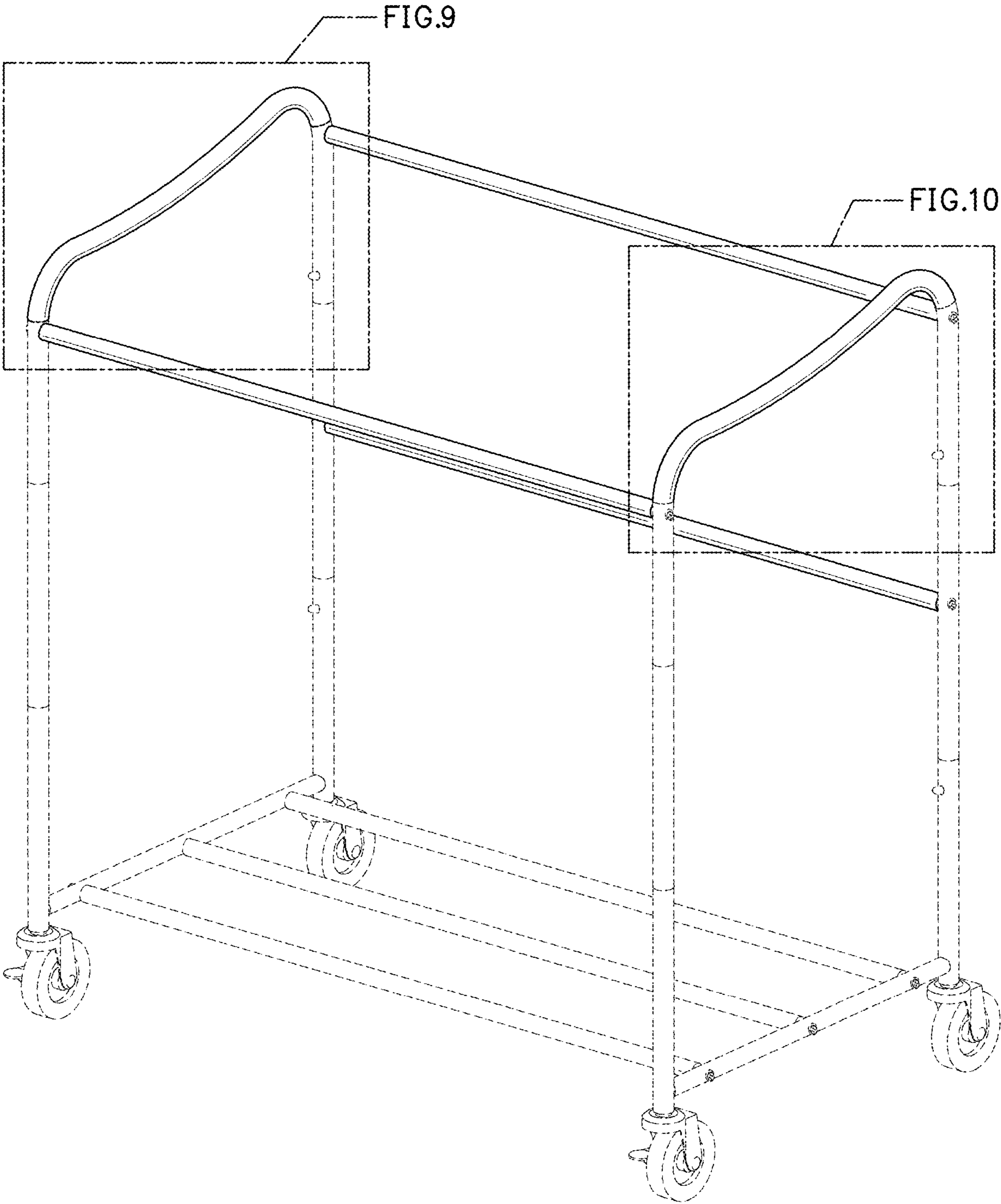


FIG. 1

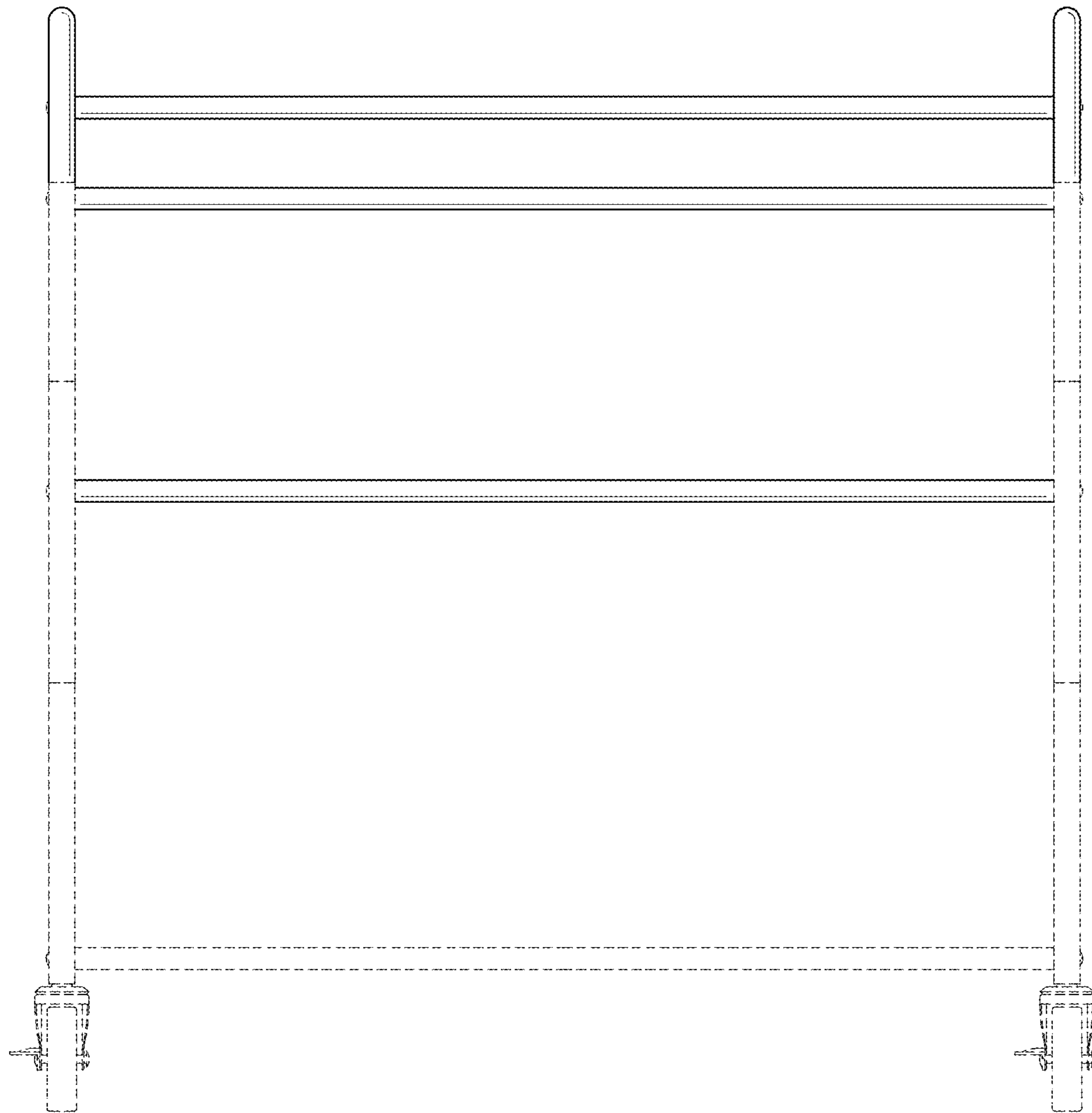


FIG. 2

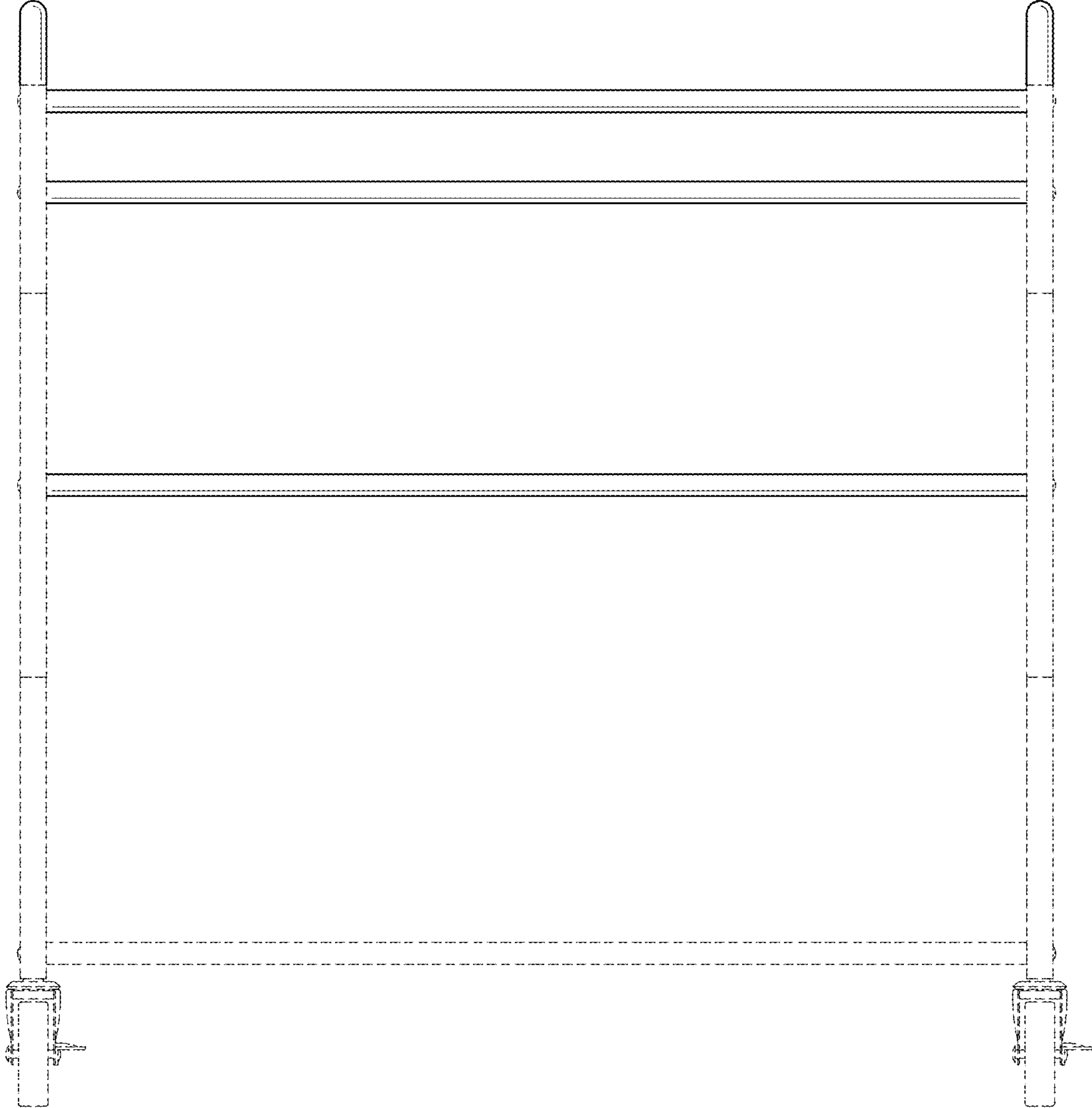


FIG. 3

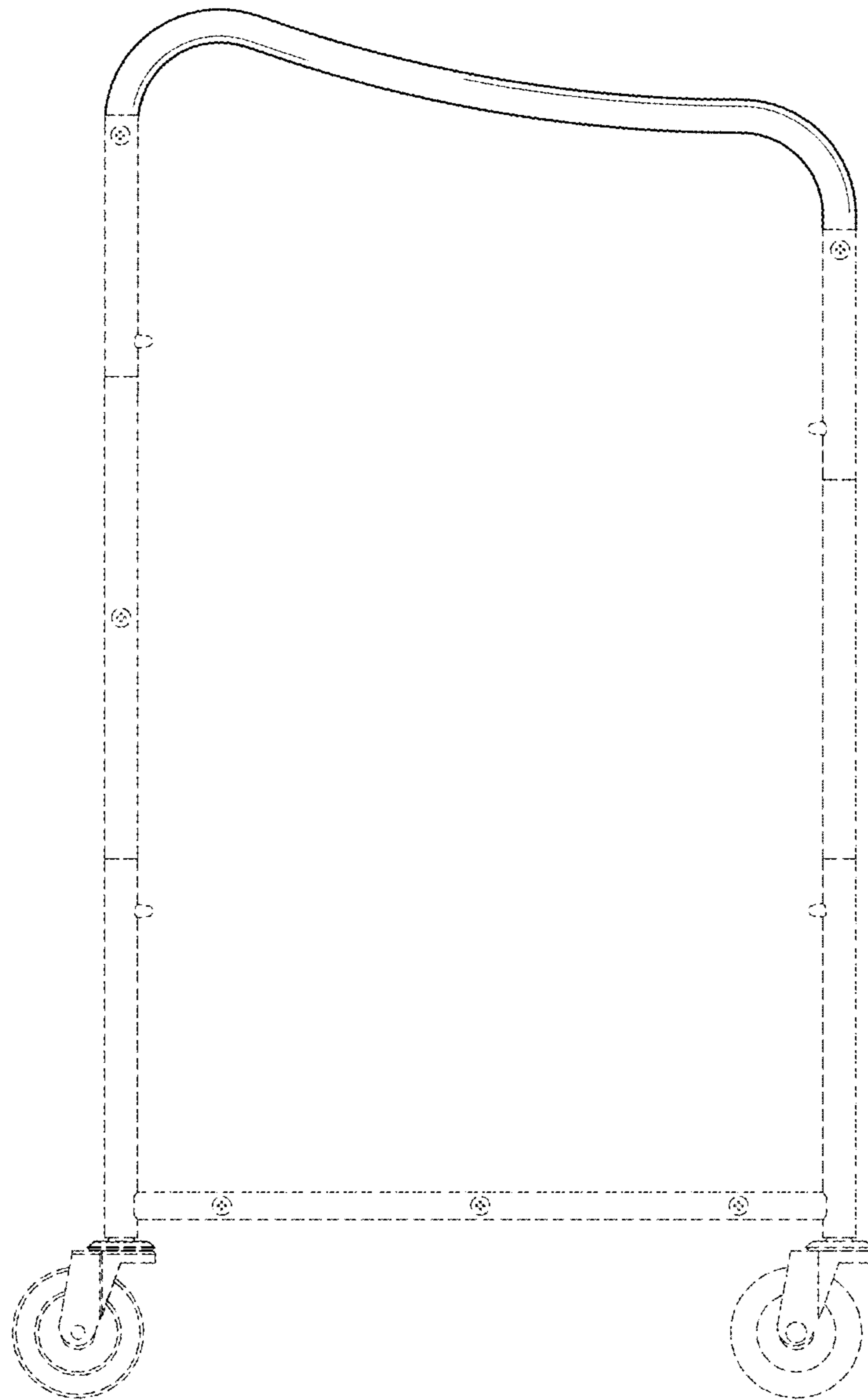


FIG. 4

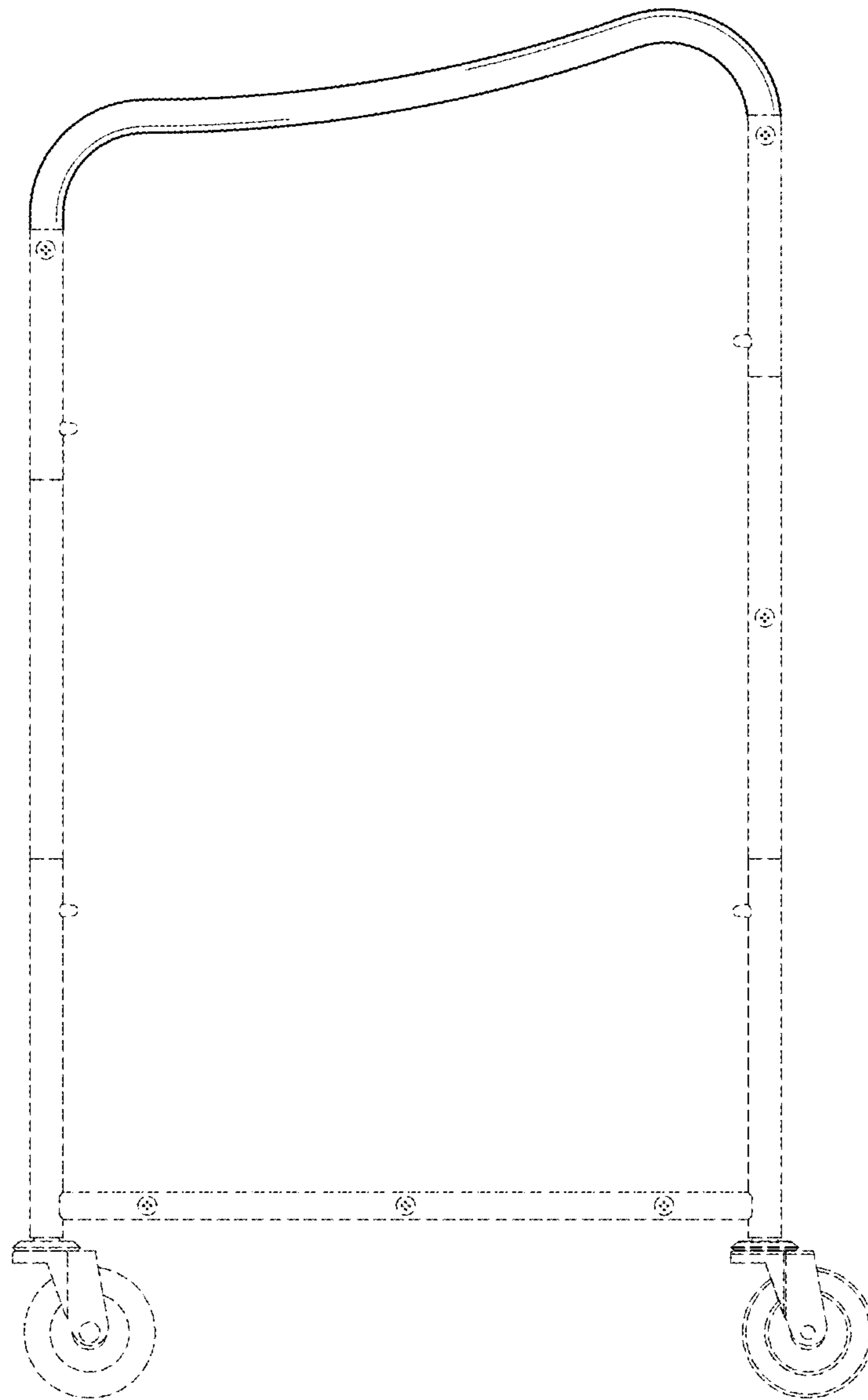


FIG. 5

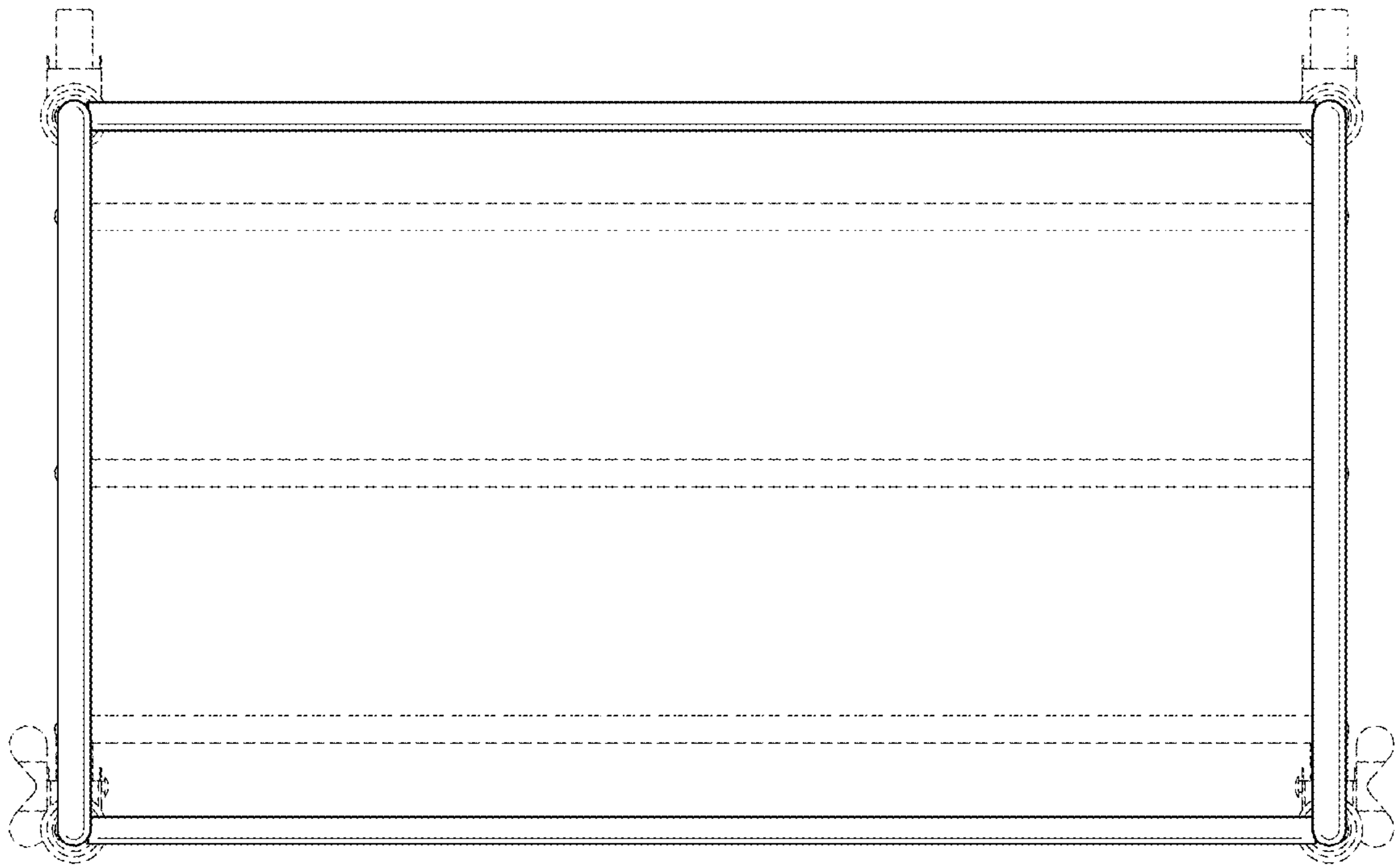


FIG. 6

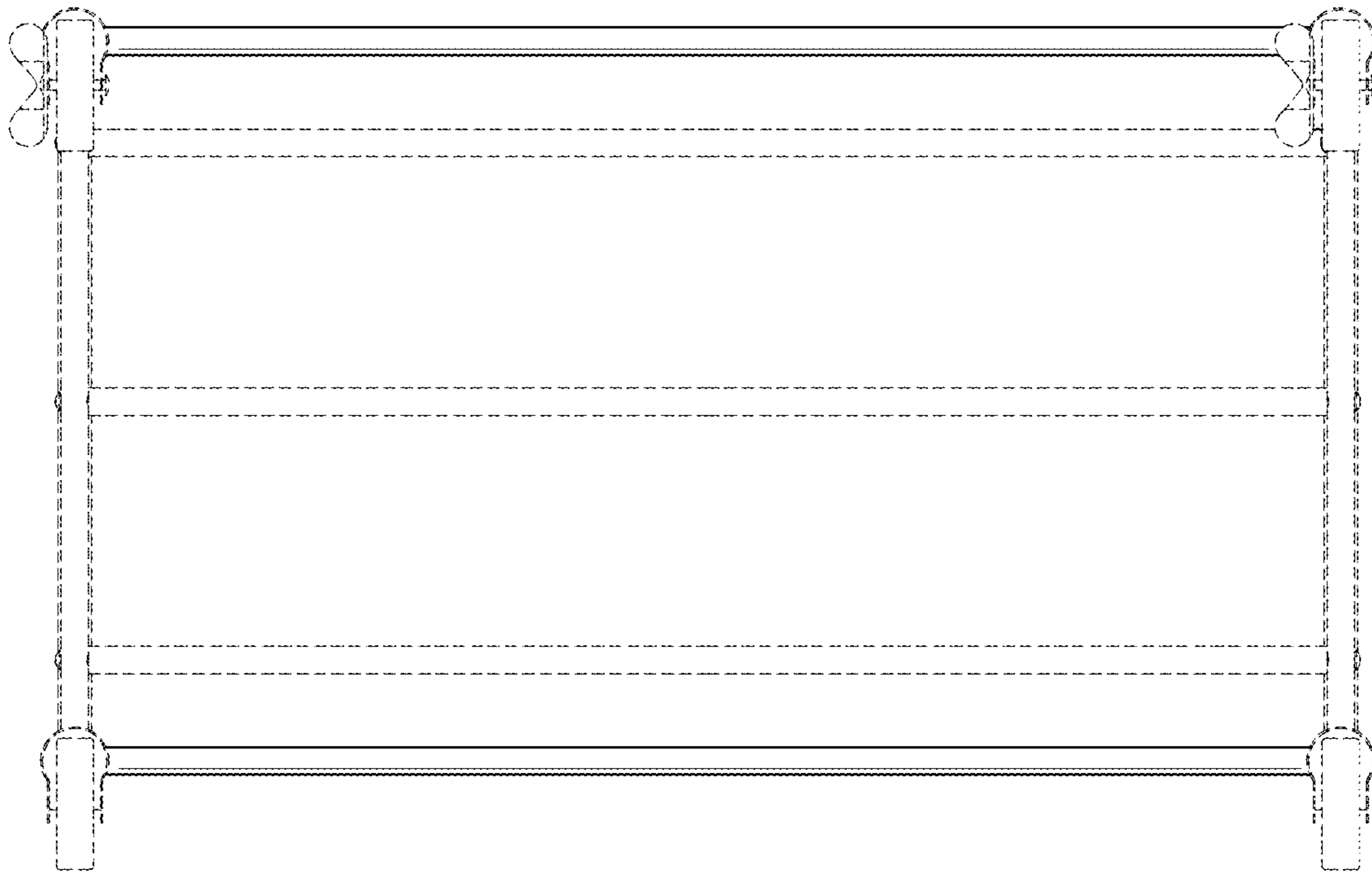


FIG. 7

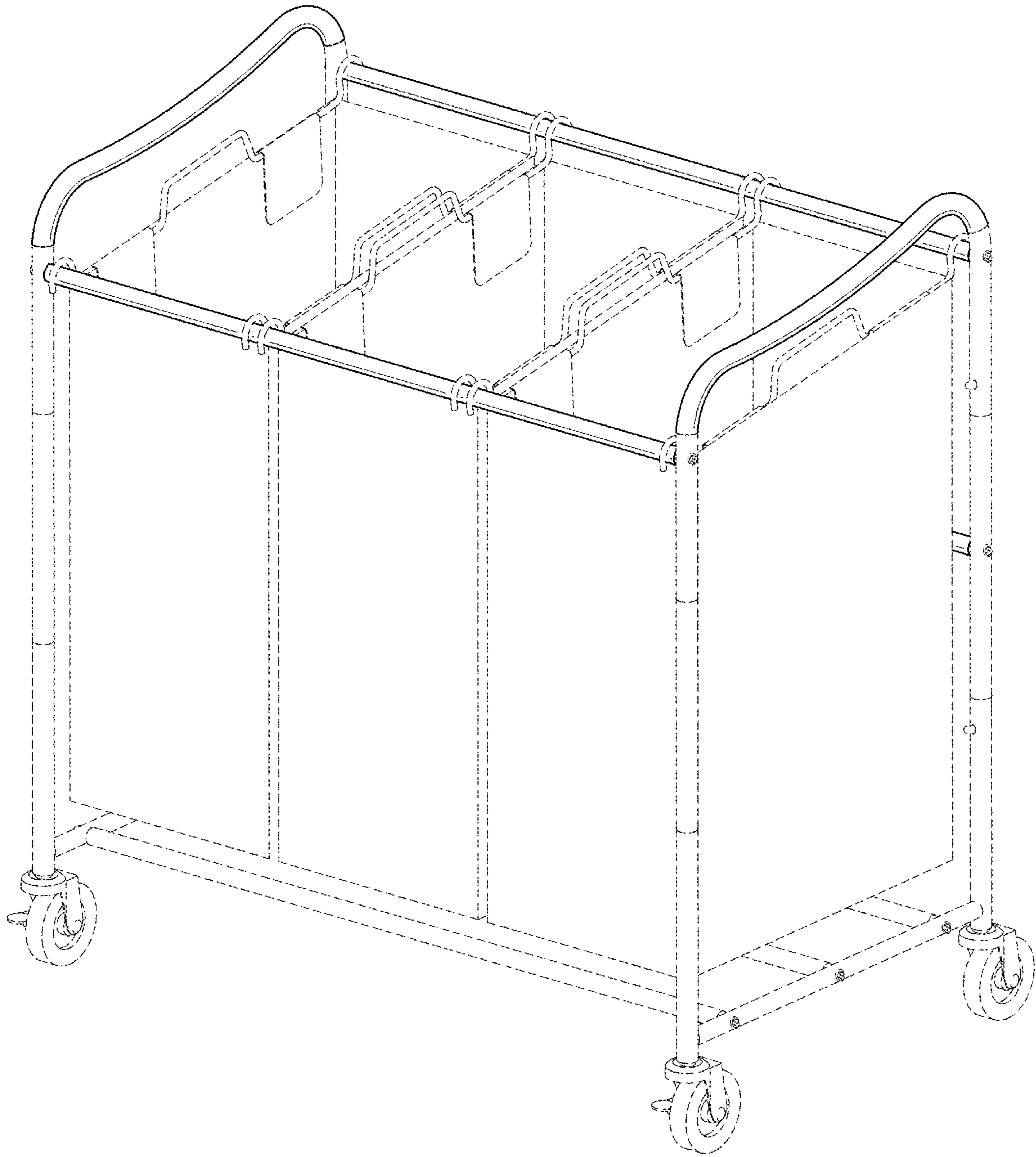


FIG. 8

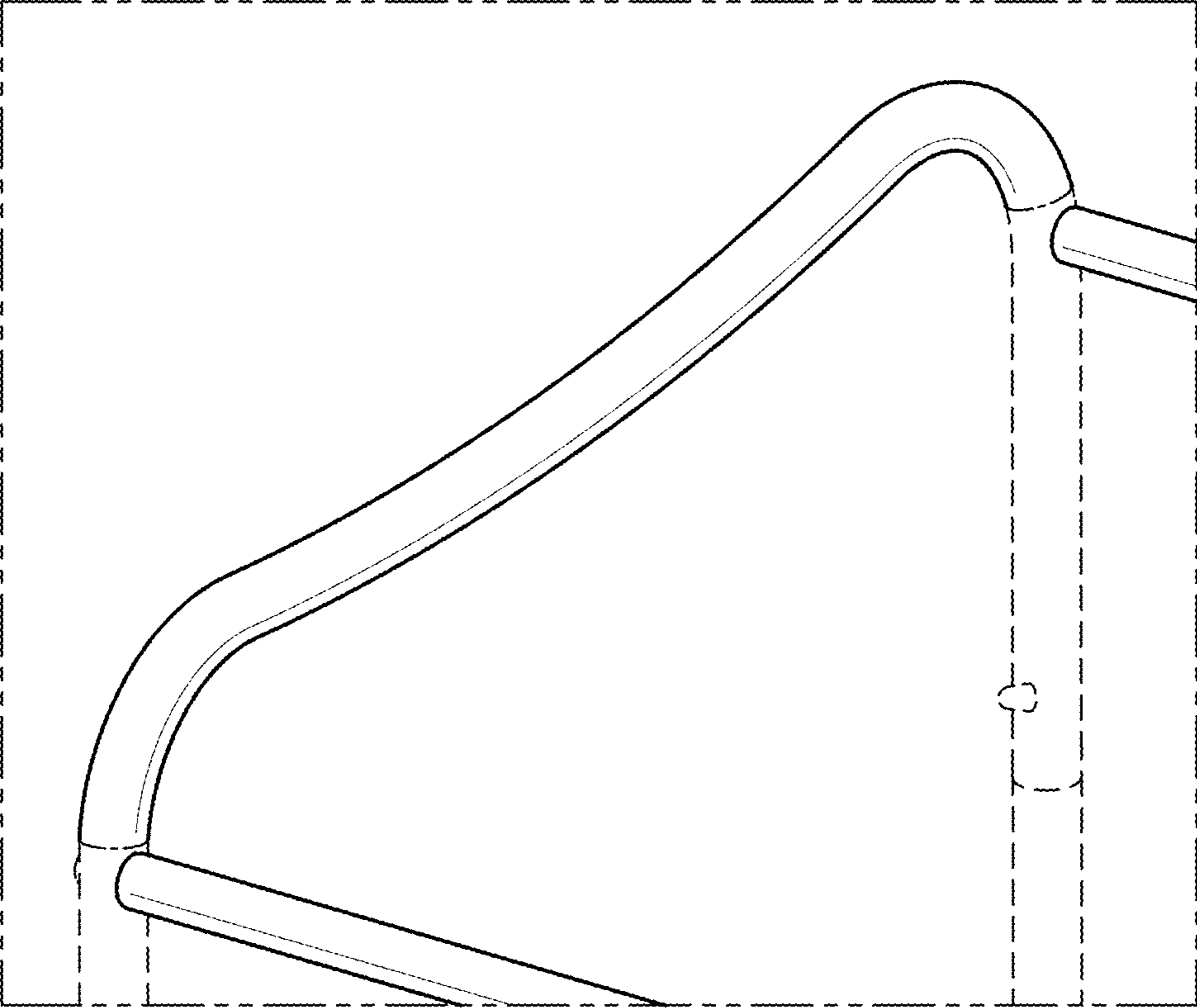


FIG. 9

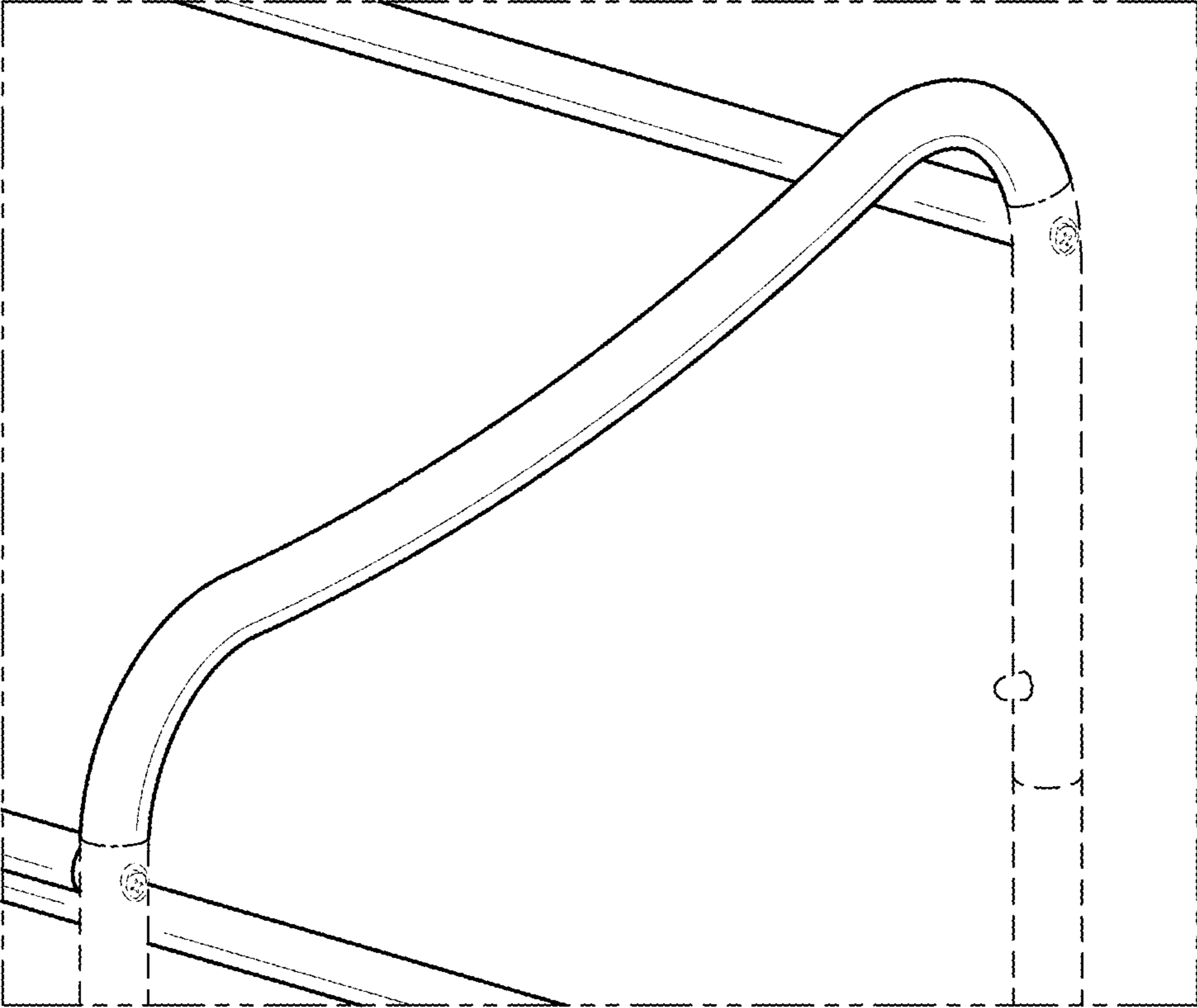


FIG. 10