



US00D937518S

(12) **United States Design Patent** (10) **Patent No.:** **US D937,518 S**
LaBarbera (45) **Date of Patent:** **** Nov. 30, 2021**

(54) **WAND GLIDE**
(71) Applicant: **Rugged Industries, Inc.**, Escondido, CA (US)
(72) Inventor: **Vincent LaBarbera**, Poway, CA (US)
(**) Term: **15 Years**
(21) Appl. No.: **29/652,481**
(22) Filed: **Aug. 28, 2020**
(51) **LOC (13) Cl.** **07-05**
(52) **U.S. Cl.**
USPC **D32/35**
(58) **Field of Classification Search**
USPC D8/315, 319; D23/229; D24/209, 217; D32/25, 31, 35
CPC A47L 11/30; A47L 11/22; A47L 9/0666; A47L 9/02; A47L 11/405; A47L 9/0606; A47L 11/4088; A01B 29/043; E02D 7/28
See application file for complete search history.

(56) **References Cited**

U.S. PATENT DOCUMENTS

D471,332 S * 3/2003 Haegermarck D32/31
7,814,613 B1 * 10/2010 Whittaker A47L 11/22
15/366
D681,291 S * 4/2013 Morgan D32/31
8,491,451 B2 * 7/2013 Phely A01B 29/043
492/30
D728,177 S * 4/2015 Ishibashi D32/25
D767,839 S * 9/2016 Hashimoto D32/35
D826,686 S * 8/2018 Kim D8/315
D827,412 S * 9/2018 Kim D8/319
D873,378 S * 1/2020 Meyer D23/229
D919,825 S * 5/2021 Yang D24/209
D923,811 S * 6/2021 Chen D24/217
2006/0282979 A1 * 12/2006 Cho A47L 9/0606
15/401
2007/0079470 A1 * 4/2007 Rippl A47L 11/405
15/320

2007/0240276 A1 * 10/2007 Pedlar A47L 11/30
15/340.1
2012/0198644 A1 * 8/2012 Iles A47L 9/02
15/179
2013/0312216 A1 * 11/2013 Palmer A47L 9/0666
15/393
2014/0143976 A1 * 5/2014 Gebhard A47L 11/4088
15/321
2018/0106006 A1 * 4/2018 He E02D 7/28

OTHER PUBLICATIONS

Wand glide <https://www.ruggedind.com/products/tuff-glide-wand-glide> (Year: 2021).*
Westpak 14 https://shop.truckmountforums.com/products/westpak-14-glide?variant=10065039109&gclid=EALalQobChMlytWX4oes8glVEo7lCh3pwQXtEAQYAiABEgJpbPD_BwE (Year: 2016).*
Green glide prochem <https://www.ebay.com/itm/310645820790> (Year: 2021).*

* cited by examiner

Primary Examiner — Michelle E. Wilson
Assistant Examiner — Richard E Yenchesky
(74) *Attorney, Agent, or Firm* — Themis Law

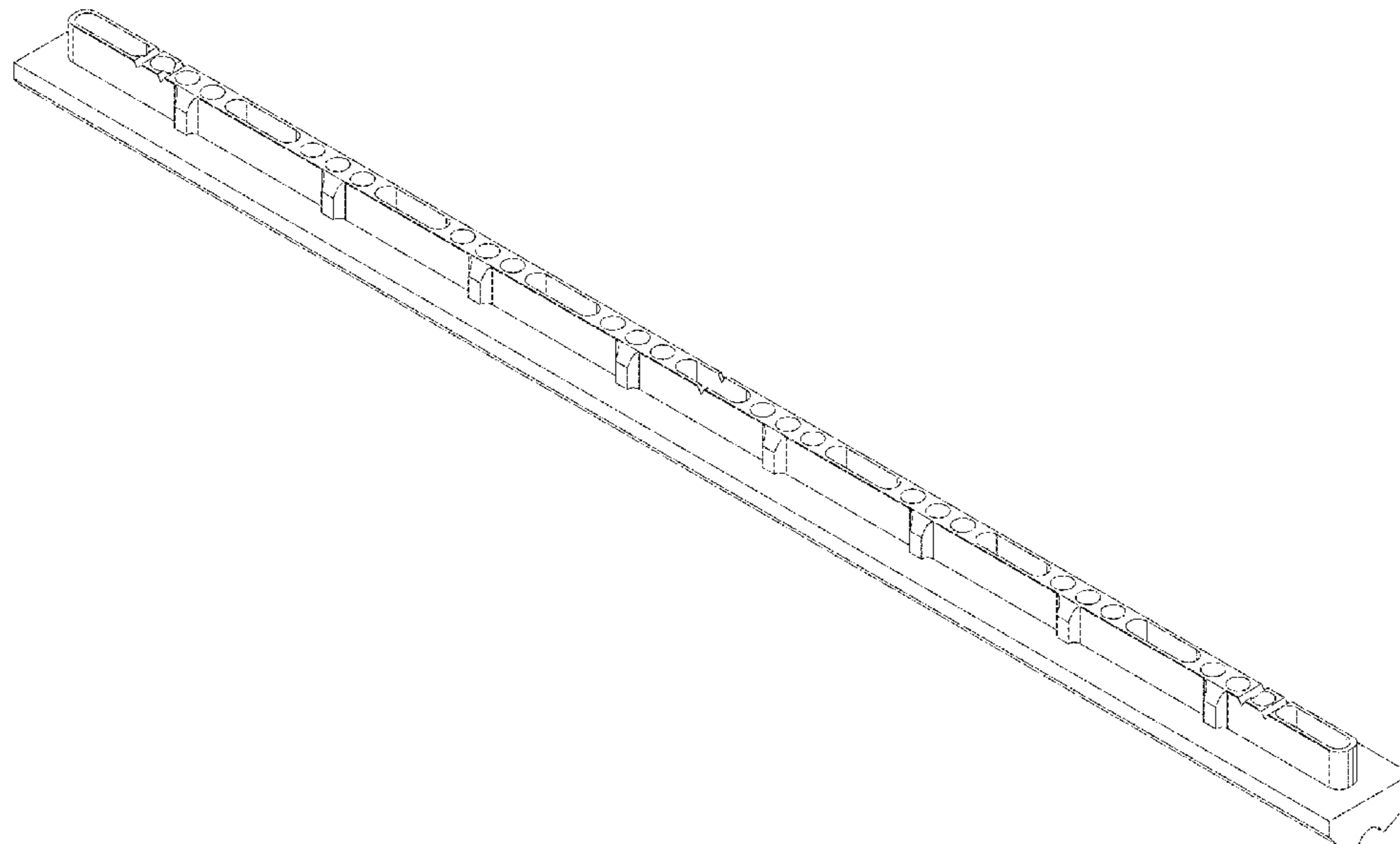
(57) **CLAIM**

The ornamental design for a wand glide, as shown.

DESCRIPTION

FIG. 1 is a front perspective view of a wand glide showing my new design;
FIG. 2 is a front elevational view thereof;
FIG. 3 is a rear elevational view thereof;
FIG. 4 is a left elevational view thereof;
FIG. 5 is a right elevational view thereof;
FIG. 6 is a top plan view thereof; and,
FIG. 7 is a bottom plan view thereof.

1 Claim, 7 Drawing Sheets



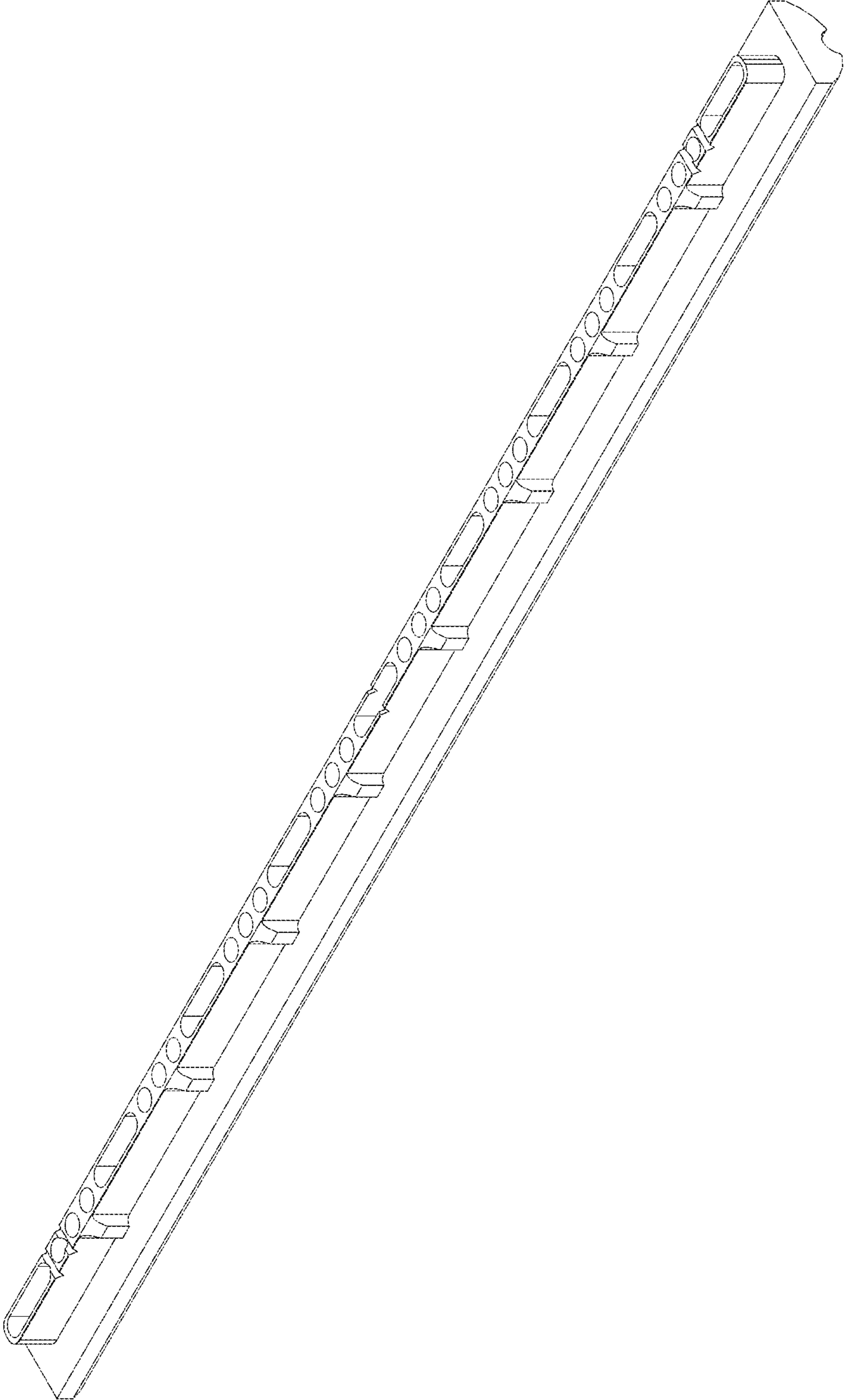


FIG. 1

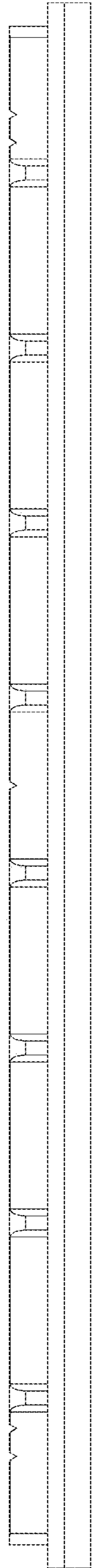


FIG. 2

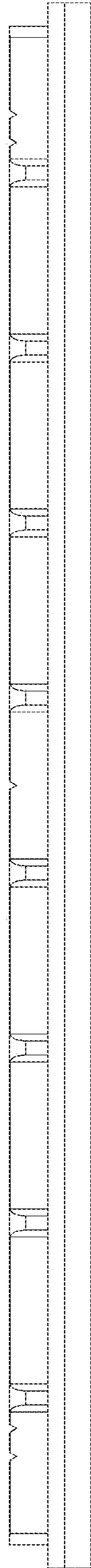


FIG. 3

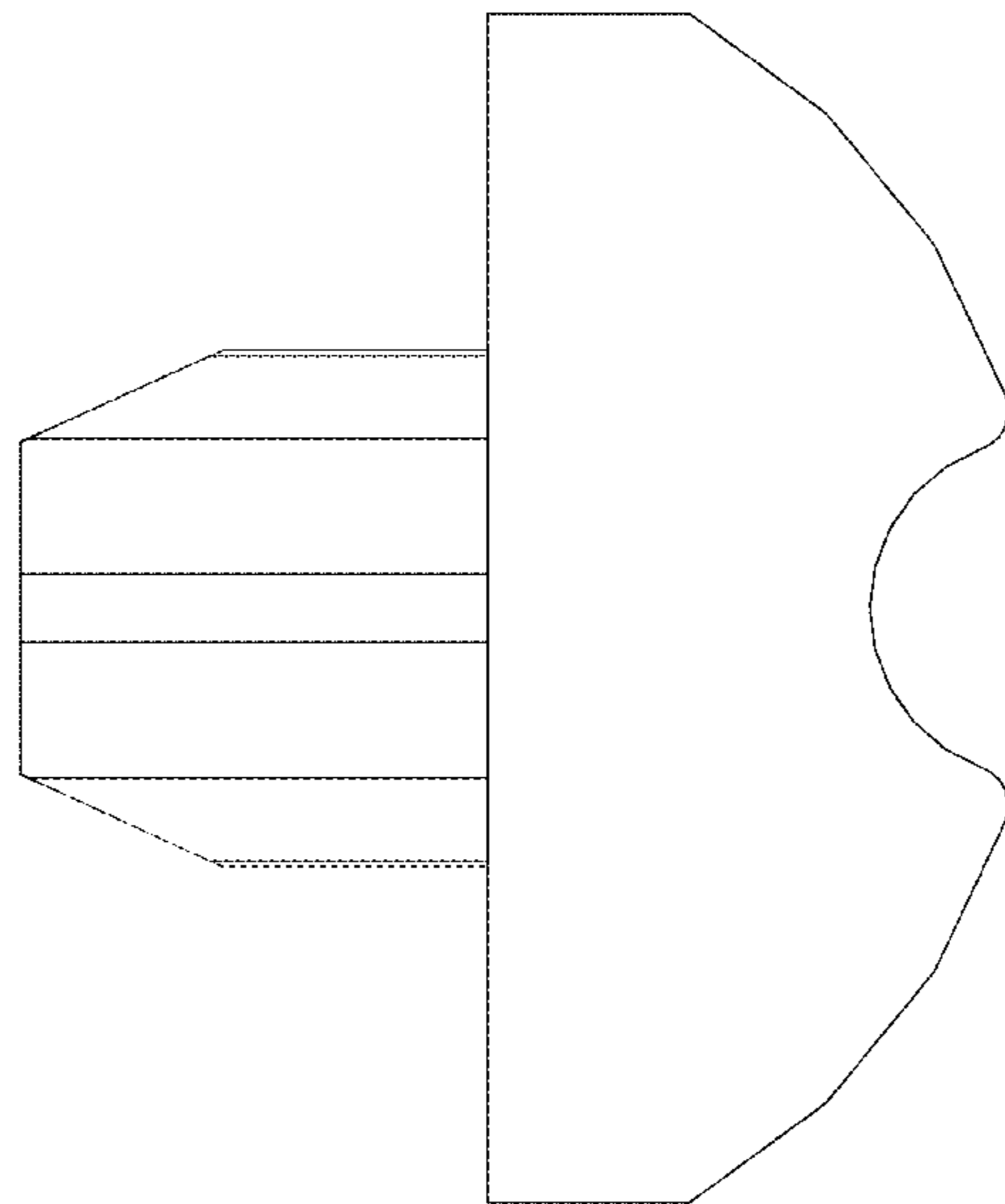


FIG. 4

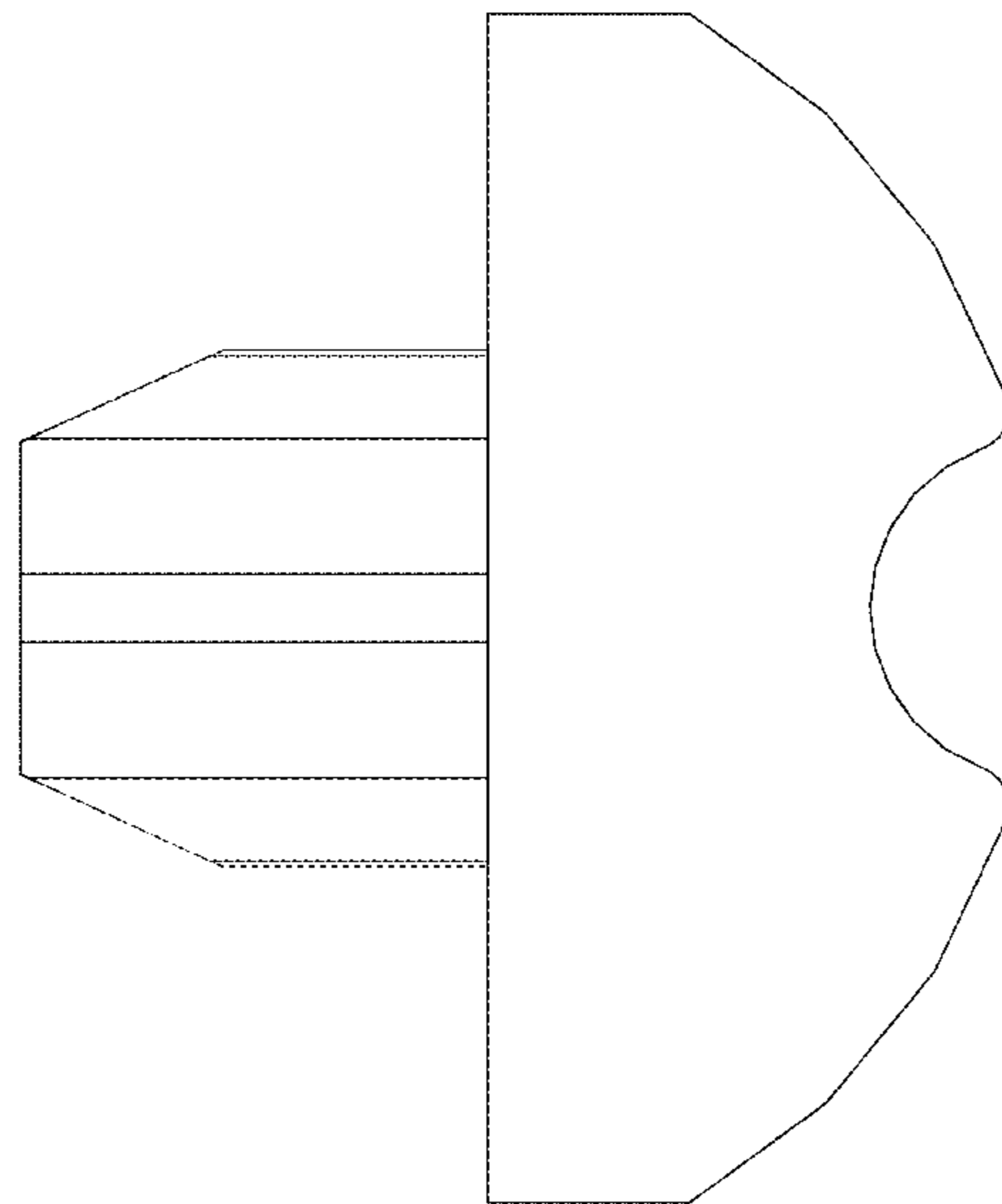


FIG. 5

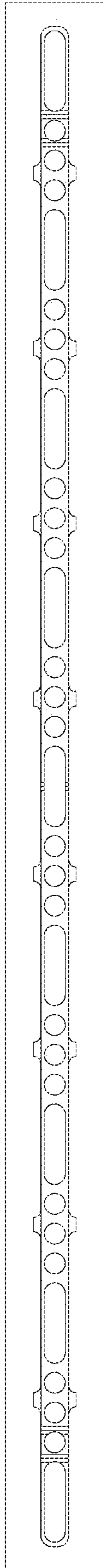


FIG. 6

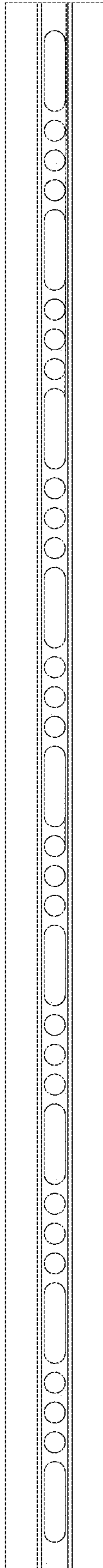


FIG. 7