

US00D937517S

(12) **United States Design Patent**
Lee et al.

(10) **Patent No.:** **US D937,517 S**

(45) **Date of Patent:** **** Nov. 30, 2021**

(54) **CONTROL PANEL FOR WASHING MACHINE**

(71) Applicant: **LG ELECTRONICS INC.**, Seoul (KR)

(72) Inventors: **Kyungah Lee**, Seoul (KR); **Youngsoo Ha**, Seoul (KR); **Kyutae Park**, Seoul (KR); **Jaecil Bae**, Seoul (KR); **Hoil Jeon**, Seoul (KR)

(73) Assignee: **LG Electronics Inc.**, Seoul (KR)

(**) Term: **15 Years**

(21) Appl. No.: **29/726,743**

(22) Filed: **Mar. 5, 2020**

(30) **Foreign Application Priority Data**

Sep. 24, 2019 (KR) 30-2019-0045756

(51) **LOC (13) Cl.** **15-05**

(52) **U.S. Cl.**
USPC **D32/28**

(58) **Field of Classification Search**
USPC D32/6, 8, 25, 28
CPC D06F 33/00; D06F 39/022; D06F 39/14;
D06F 37/28; H05K 1/0274; F24C 7/082
See application file for complete search history.

(56) **References Cited**

U.S. PATENT DOCUMENTS

D648,084 S *	11/2011	Browne	D32/28
D648,085 S *	11/2011	Miller	D32/28
D648,497 S *	11/2011	Bhattacharya	D32/28
D679,462 S *	4/2013	Zhang	D32/6
D681,892 S *	5/2013	Meda	D32/28
D699,907 S *	2/2014	Choi	D32/28
D700,410 S *	2/2014	Hwang	D32/25
D729,998 S *	5/2015	Jeon	D32/6
D759,325 S *	6/2016	Jeon	D32/6

D759,916 S *	6/2016	Choi	D32/28
D759,917 S *	6/2016	Choi	D32/28
D759,918 S *	6/2016	Choi	D32/28
D760,457 S *	6/2016	Choi	D32/28
D760,458 S *	6/2016	Choi	D32/28
D764,121 S *	8/2016	Choi	D32/6
D793,012 S *	7/2017	Bixby	D32/6
D798,005 S *	9/2017	Bixby	D32/6
D812,323 S *	3/2018	Bixby	D32/8
D818,219 S *	5/2018	Bixby	D32/6
D824,608 S *	7/2018	Bixby	D32/6
D831,907 S *	10/2018	Bixby	D32/8

(Continued)

OTHER PUBLICATIONS

Top Load Washer LG <https://www.homedepot.com/p/LG-Electronics-27-in-4-8-cu-ft-Mega-Capacity-White-Top-Load-Washer-Agitator-with-TurboWash3D-and-Wi-Fi-Connectivity-WT7305CW/314375261#overlay> (Year: 2021).*

Primary Examiner — Michelle E. Wilson

Assistant Examiner — Richard E Yenchesky

(74) *Attorney, Agent, or Firm* — Birch, Stewart, Kolasch & Birch, LLP

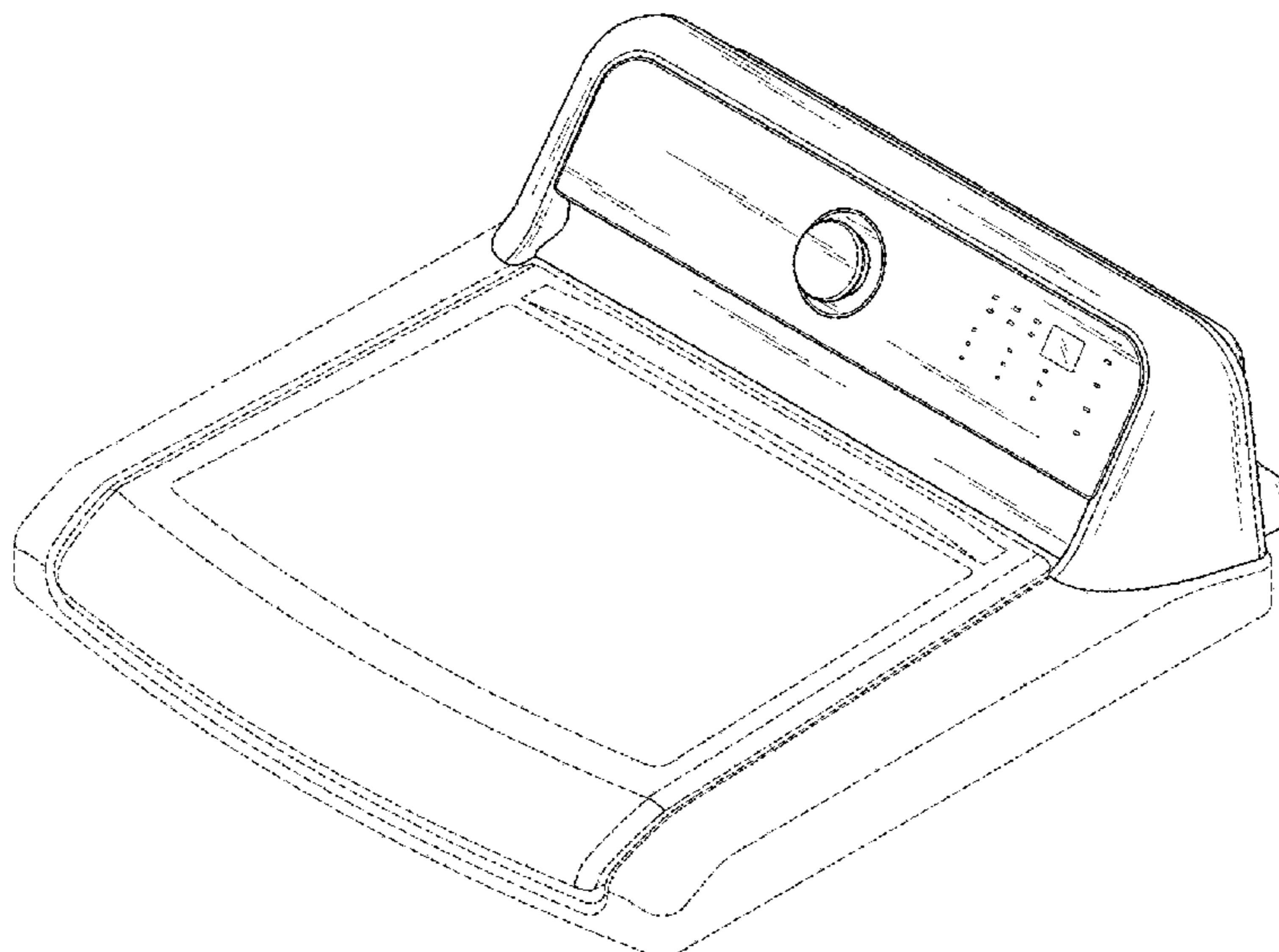
(57) **CLAIM**

We claim the ornamental design for a control panel for washing machine, as shown and described.

DESCRIPTION

FIG. 1 is a perspective view of a control panel for washing machine showing the new design;
FIG. 2 is a front elevation view thereof;
FIG. 3 is a rear elevation view thereof;
FIG. 4 is a left-side elevation view thereof;
FIG. 5 is a right-side elevation view thereof;
FIG. 6 is a top plan view thereof; and,
FIG. 7 is a bottom plan view thereof.
Broken lines illustrate environmental condition only and form no part of the claimed design.

1 Claim, 7 Drawing Sheets



(56)

References Cited

U.S. PATENT DOCUMENTS

D833,091 S * 11/2018 Ayers D32/6
D840,614 S * 2/2019 Bixby D32/8
D847,444 S * 4/2019 Ayers D32/6
D858,013 S * 8/2019 Kang D32/6
D858,914 S * 9/2019 Bixby D32/6
D867,692 S * 11/2019 Ayers D32/6
D869,791 S * 12/2019 Ko D32/6
D873,515 S * 1/2020 Bixby D32/25
D876,732 S * 2/2020 Shin D32/6
D884,997 S * 5/2020 Kim D32/6
D887,654 S * 6/2020 Choi D32/6
D887,655 S * 6/2020 Choi D32/6
D888,356 S * 6/2020 Shin D32/6
D900,419 S * 10/2020 Kim D32/25
D901,107 S * 11/2020 Kim D32/6
D922,700 S * 6/2021 Kim D32/8
2010/0147658 A1 * 6/2010 Steffens F24C 7/082
200/293
2011/0089793 A1 * 4/2011 Kim D06F 39/14
312/228
2014/0373284 A1 * 12/2014 Leibman D06F 39/022
8/137
2015/0123521 A1 * 5/2015 Lee D06F 37/28
312/228
2015/0233042 A1 * 8/2015 Kang D06F 39/14
312/228
2015/0345069 A1 * 12/2015 Leibman D06F 39/022
68/17 R
2016/0010268 A1 * 1/2016 Hawboldt D06F 33/00
8/137
2018/0266036 A1 * 9/2018 Leibman D06F 39/022
2021/0037641 A1 * 2/2021 Aguiar H05K 1/0274

* cited by examiner

FIG. 1

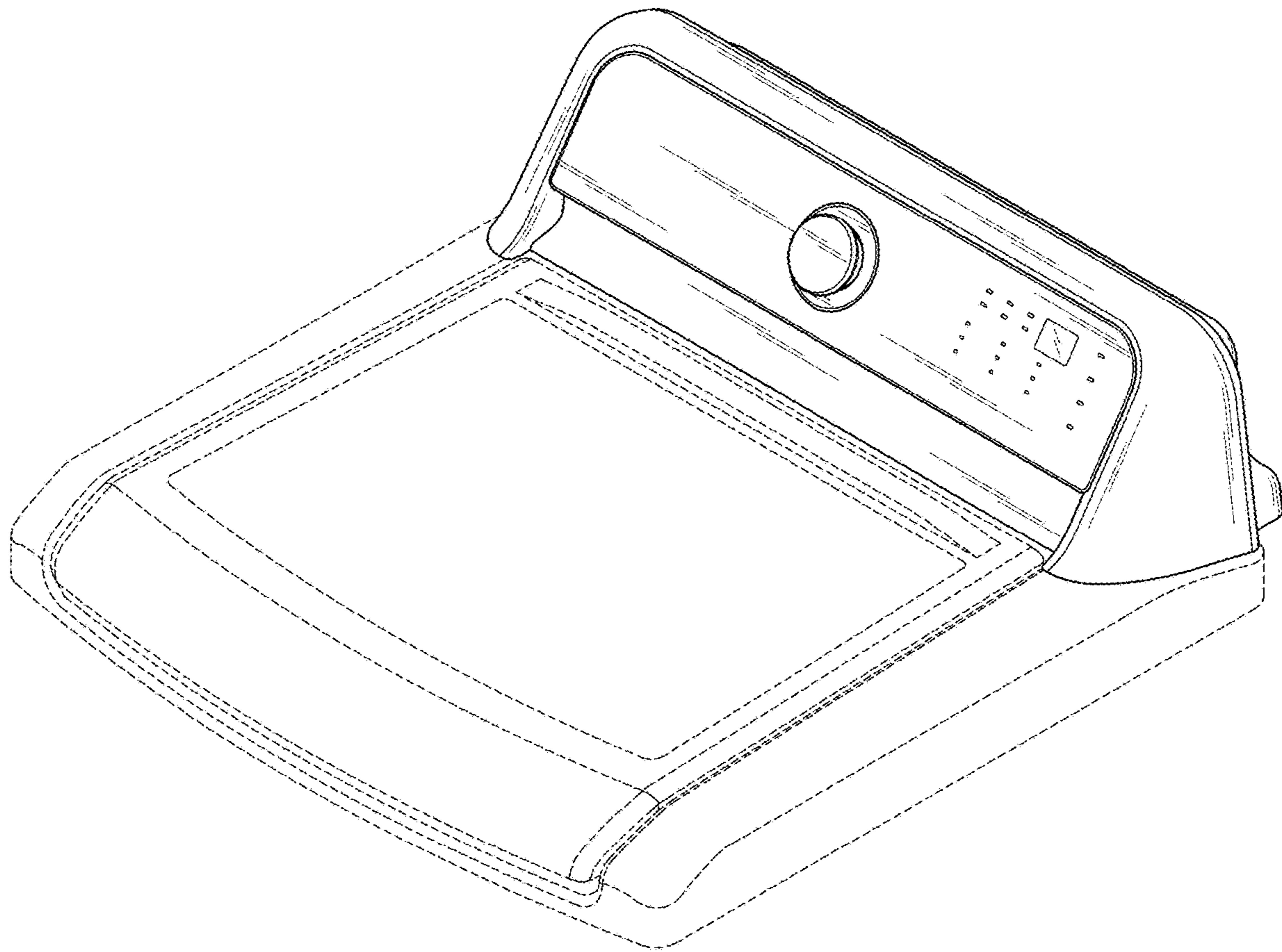


FIG. 2

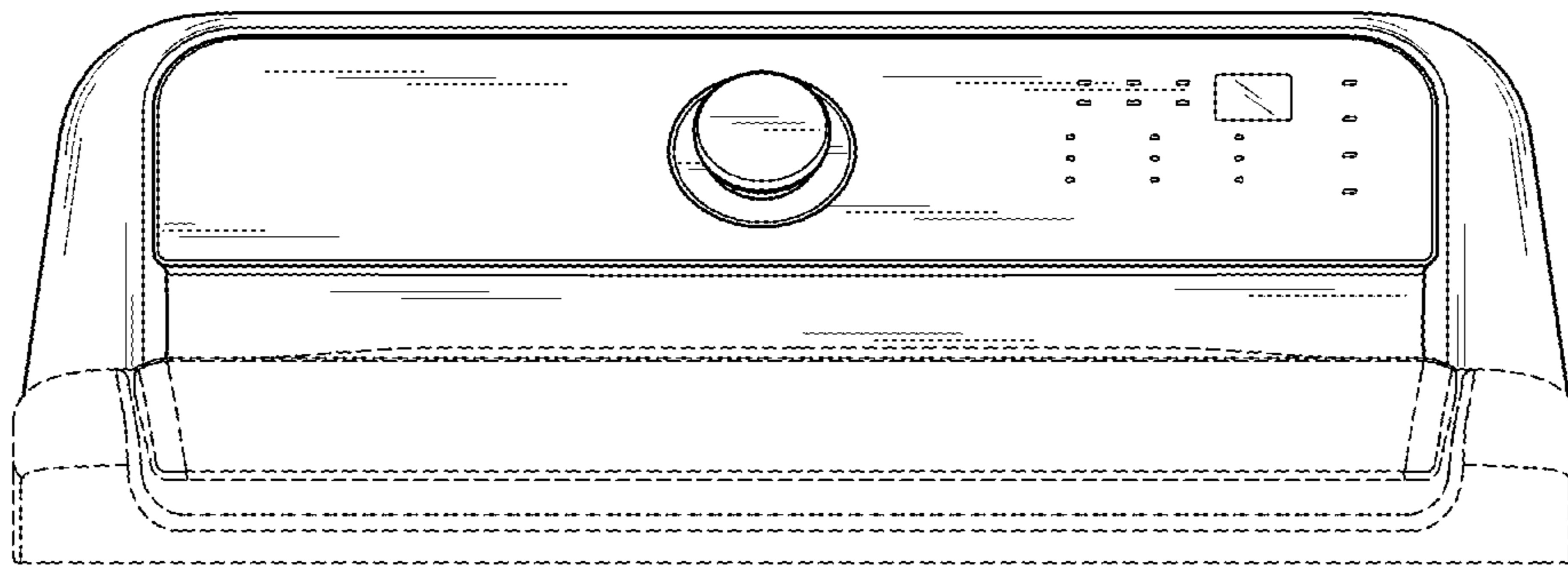


FIG. 3

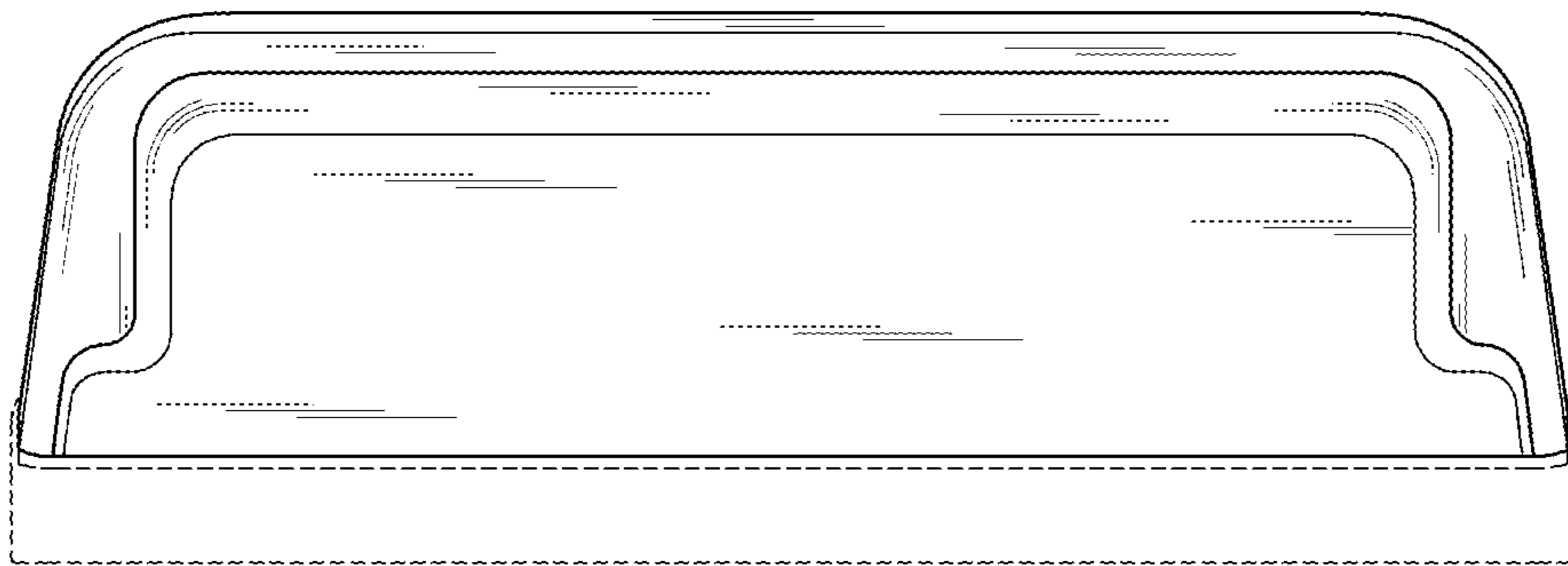


FIG. 4

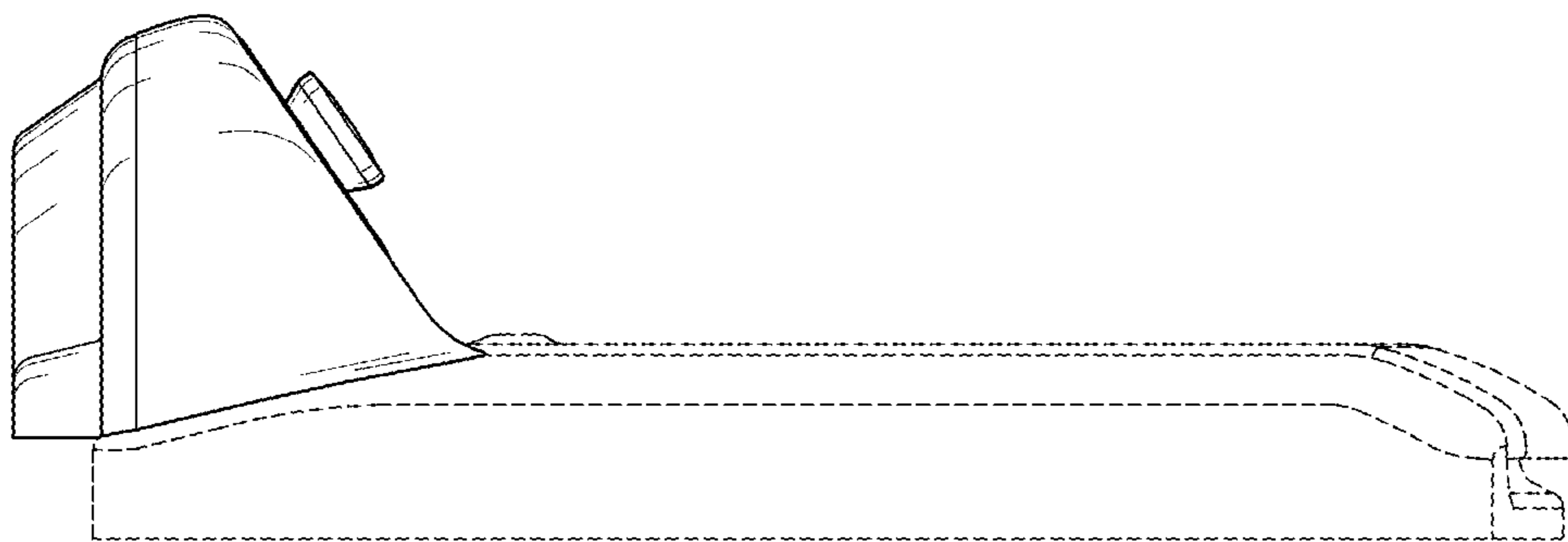


FIG. 5

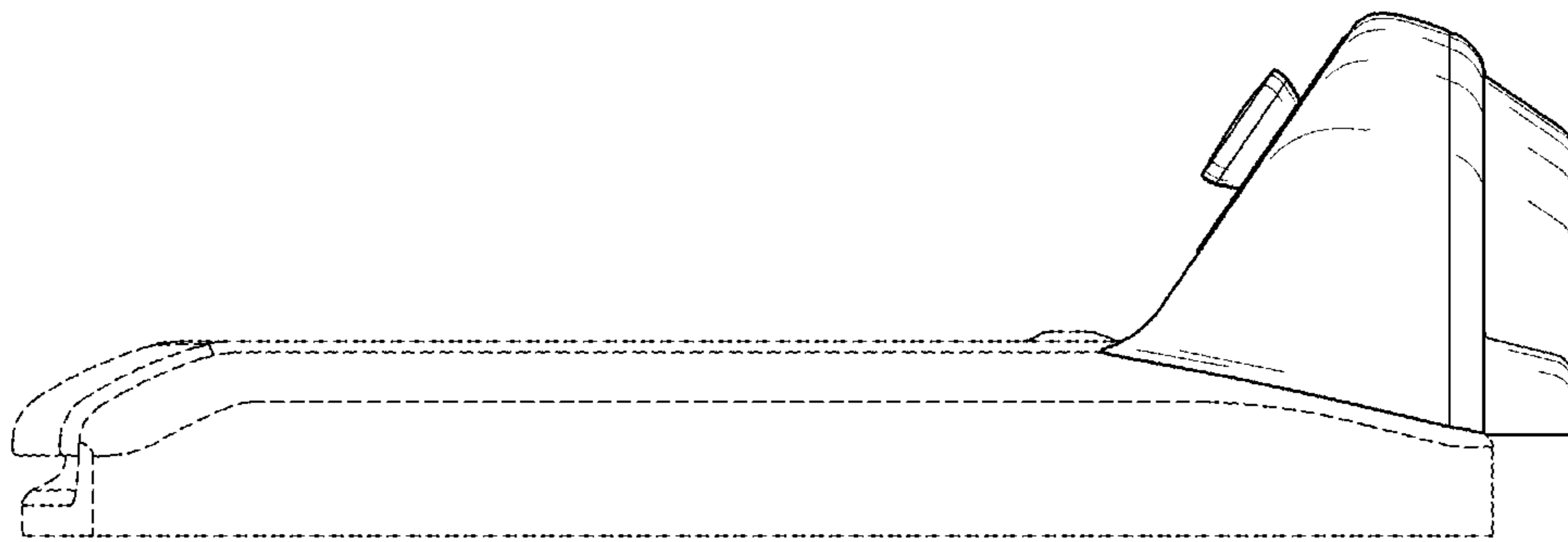


FIG. 6

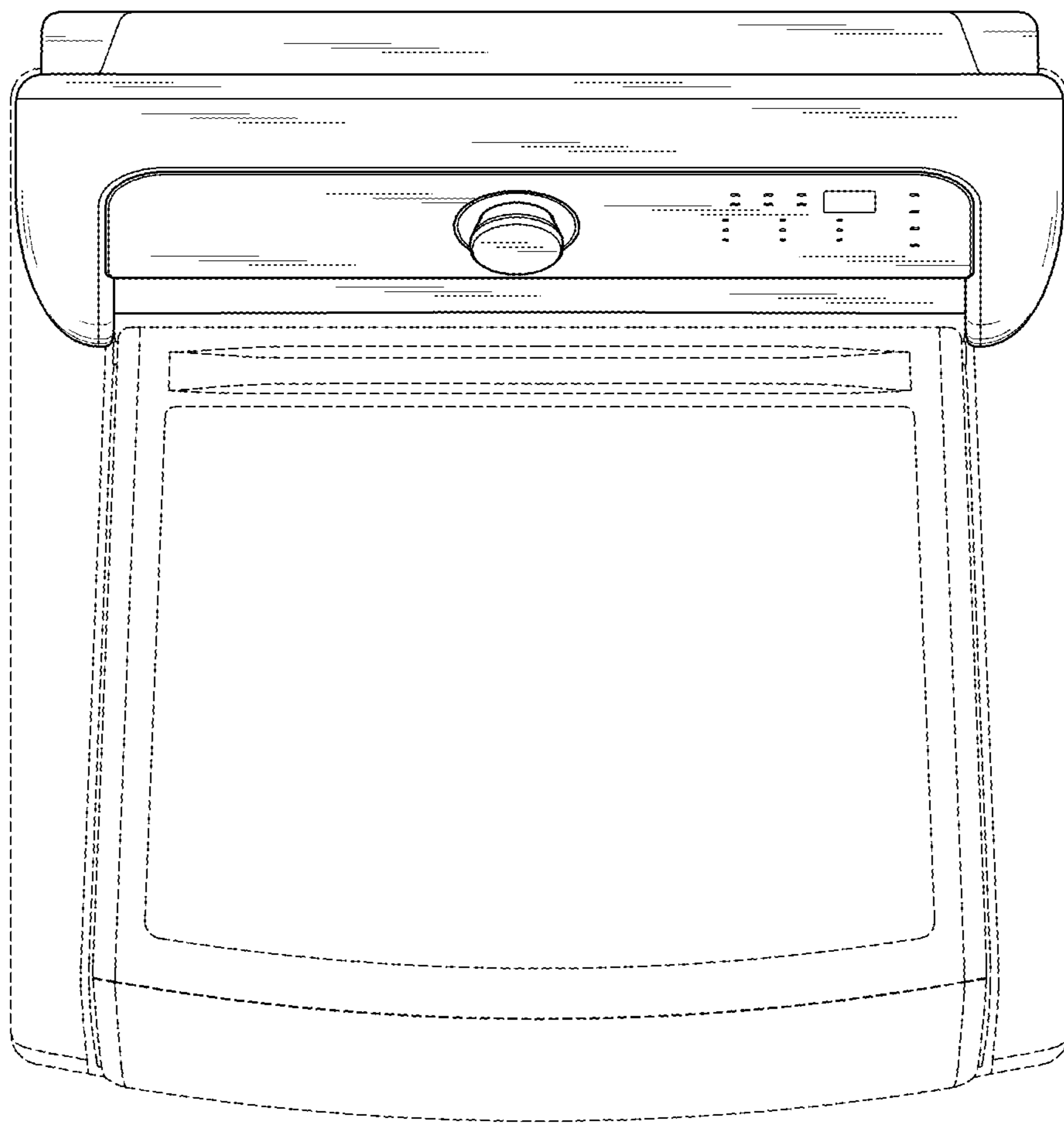


FIG. 7

