



US00D937515S

(12) **United States Design Patent**  
**Kim et al.**

(10) **Patent No.:** **US D937,515 S**

(45) **Date of Patent:** **\*\* Nov. 30, 2021**

(54) **WASHING MACHINE**

FOREIGN PATENT DOCUMENTS

(71) Applicant: **Samsung Electronics Co., Ltd.**,  
Suwon-si (KR)

CN	2014302085113	1/2015
CN	2015301013907	10/2015
CN	2015304781265	6/2016

(72) Inventors: **Jinnam Kim**, Suwon-si (KR); **Hayong Jang**, Suwon-si (KR); **Ilmo Ahn**, Suwon-si (KR); **Dongwon Chun**, Suwon-si (KR)

OTHER PUBLICATIONS

Washing machine <https://www.lowes.com/pd/Samsung-7-5-cu-ft-Stackable-Steam-Cycle-Electric-Dryer-White/1000804698> (Year: 2020).\*

(73) Assignee: **Samsung Electronics Co., Ltd.**,  
Suwon-si (KR)

(Continued)

(\*\*) Term: **15 Years**

*Primary Examiner* — Michelle E. Wilson  
*Assistant Examiner* — Richard E Yenchesky  
(74) *Attorney, Agent, or Firm* — NSIP Law

(21) Appl. No.: **29/702,484**

(57) **CLAIM**

(22) Filed: **Aug. 20, 2019**

We claim the ornamental design for a washing machine, as shown and described.

(30) **Foreign Application Priority Data**

**DESCRIPTION**

Mar. 11, 2019 (KR) ..... 30-2019-0010884

(51) **LOC (13) Cl.** ..... **15-05**

(52) **U.S. Cl.**  
USPC ..... **D32/28**

(58) **Field of Classification Search**  
USPC ..... D32/1, 8, 25, 28; D15/89  
CPC ..... D06F 34/28; D06F 39/083; G06F 3/0482  
See application file for complete search history.

FIG. 1 is a front perspective view of a washing machine showing our new design according to a first embodiment; FIG. 2 is a front view thereof; FIG. 3 is a rear view thereof; FIG. 4 is a left-side view thereof; FIG. 5 is a right-side view thereof; FIG. 6 is a top view thereof; FIG. 7 is a bottom view thereof; FIG. 8 is a front perspective view of a washing machine showing our new design according to a second embodiment; FIG. 9 is a front view thereof; FIG. 10 is a rear view thereof; FIG. 11 is a left-side view thereof; FIG. 12 is a right-side view thereof; FIG. 13 is a top view thereof; and, FIG. 14 is a bottom view thereof.

(56) **References Cited**

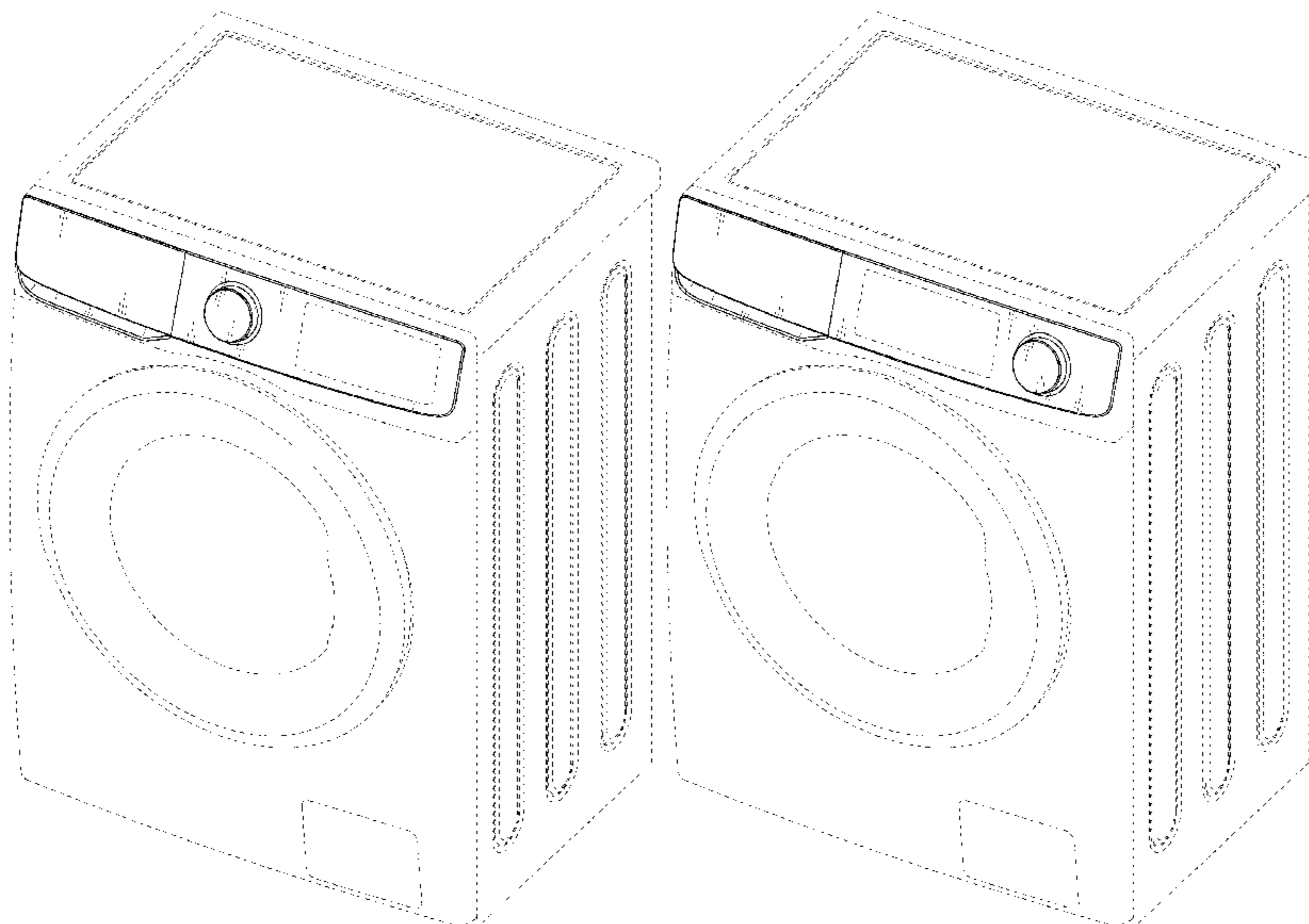
U.S. PATENT DOCUMENTS

7,397,005	B2 *	7/2008	Kang	.....	D06F 34/28
					200/293
D681,892	S *	5/2013	Meda	.....	D32/28
D705,506	S *	5/2014	Kwack	.....	D32/28
D705,507	S *	5/2014	Cho	.....	D32/28
D744,179	S *	11/2015	Lee	.....	D32/28
D747,575	S *	1/2016	Choi	.....	D32/28

The broken lines in the figures depict portions of the washing machine which form no part of the claimed design.

(Continued)

**1 Claim, 14 Drawing Sheets**



(56)

References Cited

U.S. PATENT DOCUMENTS

D749,807 S \* 2/2016 Ha ..... D32/28  
 D756,047 S \* 5/2016 Choi ..... D32/25  
 D759,916 S \* 6/2016 Choi ..... D32/28  
 D759,917 S \* 6/2016 Choi ..... D32/28  
 D759,918 S \* 6/2016 Choi ..... D32/28  
 D760,457 S \* 6/2016 Choi ..... D32/28  
 D760,458 S \* 6/2016 Choi ..... D32/28  
 D771,887 S \* 11/2016 Kim ..... D32/28  
 D778,014 S \* 1/2017 Hwang ..... D32/28  
 D778,516 S \* 2/2017 Hwang ..... D32/28  
 D785,256 S \* 4/2017 Yoon ..... D32/28  
 D785,257 S \* 4/2017 Kim ..... D32/28  
 D785,881 S \* 5/2017 Yoon ..... D32/28  
 D785,882 S \* 5/2017 Kim ..... D32/28  
 D806,335 S \* 12/2017 Yoon ..... D32/28  
 D812,330 S \* 3/2018 Kim ..... D32/28  
 D825,871 S \* 8/2018 Kim ..... D32/28  
 D826,495 S \* 8/2018 Lee ..... D32/28  
 D830,019 S \* 10/2018 Kim ..... D32/28  
 D830,020 S \* 10/2018 Kim ..... D32/28  
 D830,653 S \* 10/2018 Joo ..... D32/28  
 D832,537 S \* 10/2018 Lee ..... D32/28  
 D848,095 S \* 5/2019 Joo ..... D32/28  
 D867,699 S \* 11/2019 Lee ..... D32/28

D870,405 S \* 12/2019 Kim ..... D32/28  
 D870,996 S \* 12/2019 Kim ..... D32/28  
 D871,697 S \* 12/2019 Yoon ..... D32/28  
 D877,431 S \* 3/2020 Schelling ..... D32/28  
 2019/0194857 A1\* 6/2019 De Luca ..... G06F 3/0482  
 2019/0330788 A1\* 10/2019 Yun ..... D06F 39/083  
 2021/0207309 A1\* 7/2021 Kim ..... D06F 34/28

OTHER PUBLICATIONS

Washing machine control panel <https://www.homedepot.com/p/Samsung-4-5-cu-ft-High-Efficiency-Platinum-Front-Load-Washing-Machine-with-Steam-ENERGY-STAR-WF45R6100AP/311996219> (Year: 2019).  
 “SteamTech, IonTech, Inverter PowerDrive motor.” [2019] [www.si.gorenje.com](http://www.si.gorenje.com) Aug. 20, 2019 <[https://si.gorenje.com/Izdelki/Akcijaska-ponudba/WASHER-PS15-5716X-WS168LNST-GOR/p/00000000000729414\\_0003#product](https://si.gorenje.com/Izdelki/Akcijaska-ponudba/WASHER-PS15-5716X-WS168LNST-GOR/p/00000000000729414_0003#product)>.  
 “Focus on Healthy Technology Healthy Washing Expert” [2019] [www.skyworth.ph](http://www.skyworth.ph) Aug. 20, 2019 <<http://www.skyworth.ph/appliance/washingmachine/f80211u.html>>.  
 “Skyworth 9.0 Kg Front Load Washing Machine-F901202ND (Golden)” [2019] [www.esewapasal.com](http://www.esewapasal.com) Aug. 20, 2019 <<https://www.esewapasal.com/skyworth-9-0-kg-front-load-washing-machine-golden.html>>.

\* cited by examiner

FIG. 1

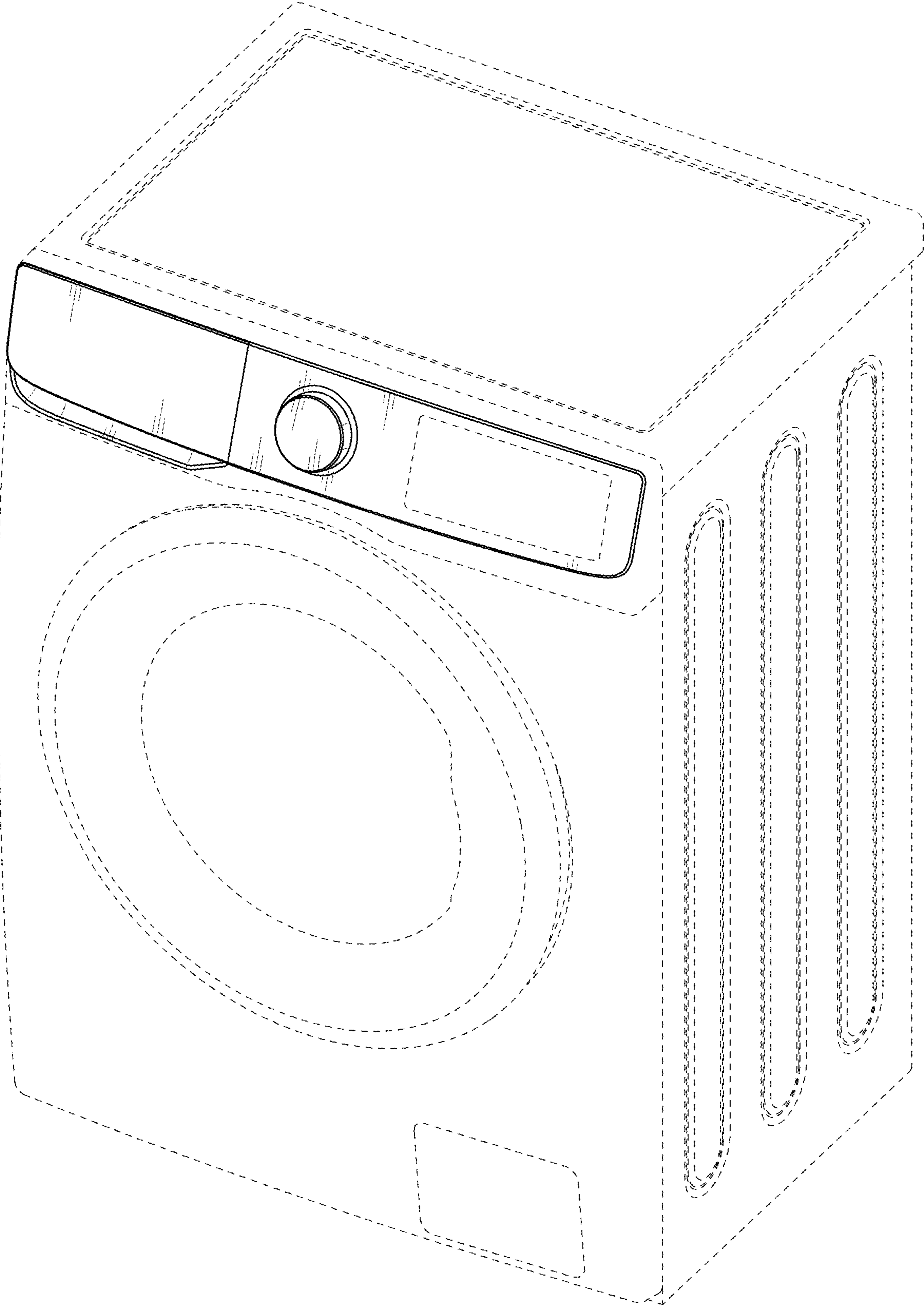


FIG. 2

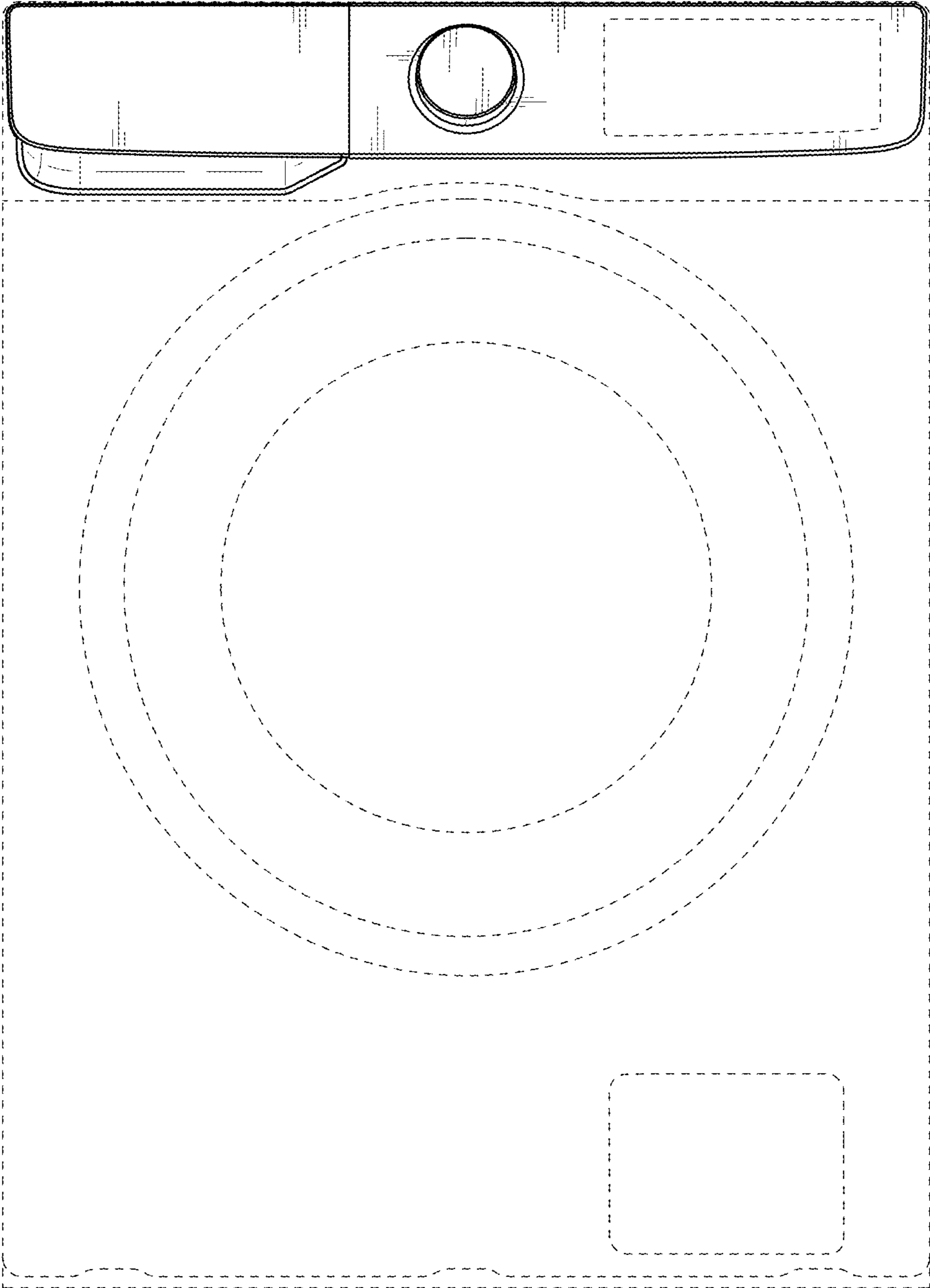




FIG. 3



FIG. 4

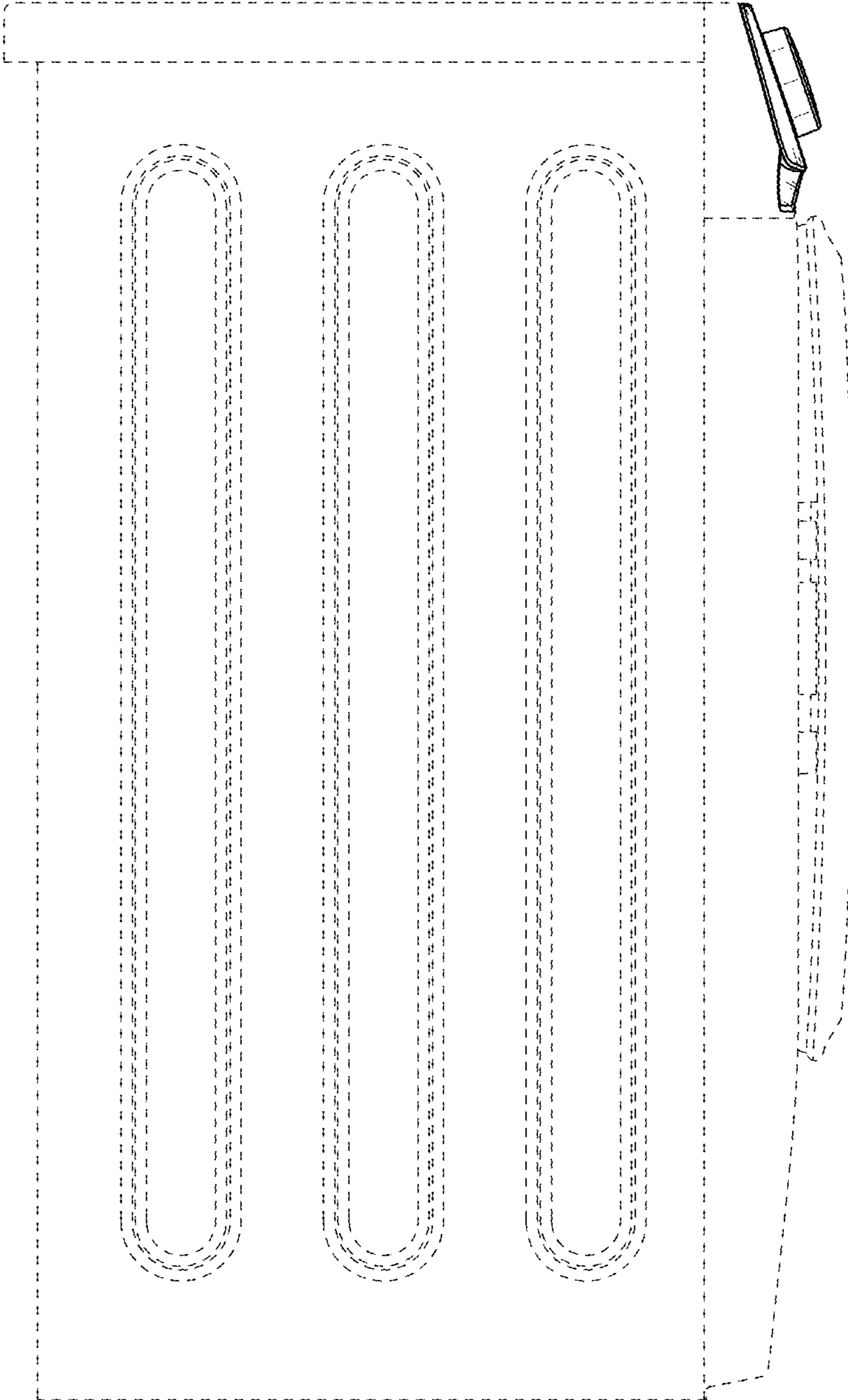


FIG. 5

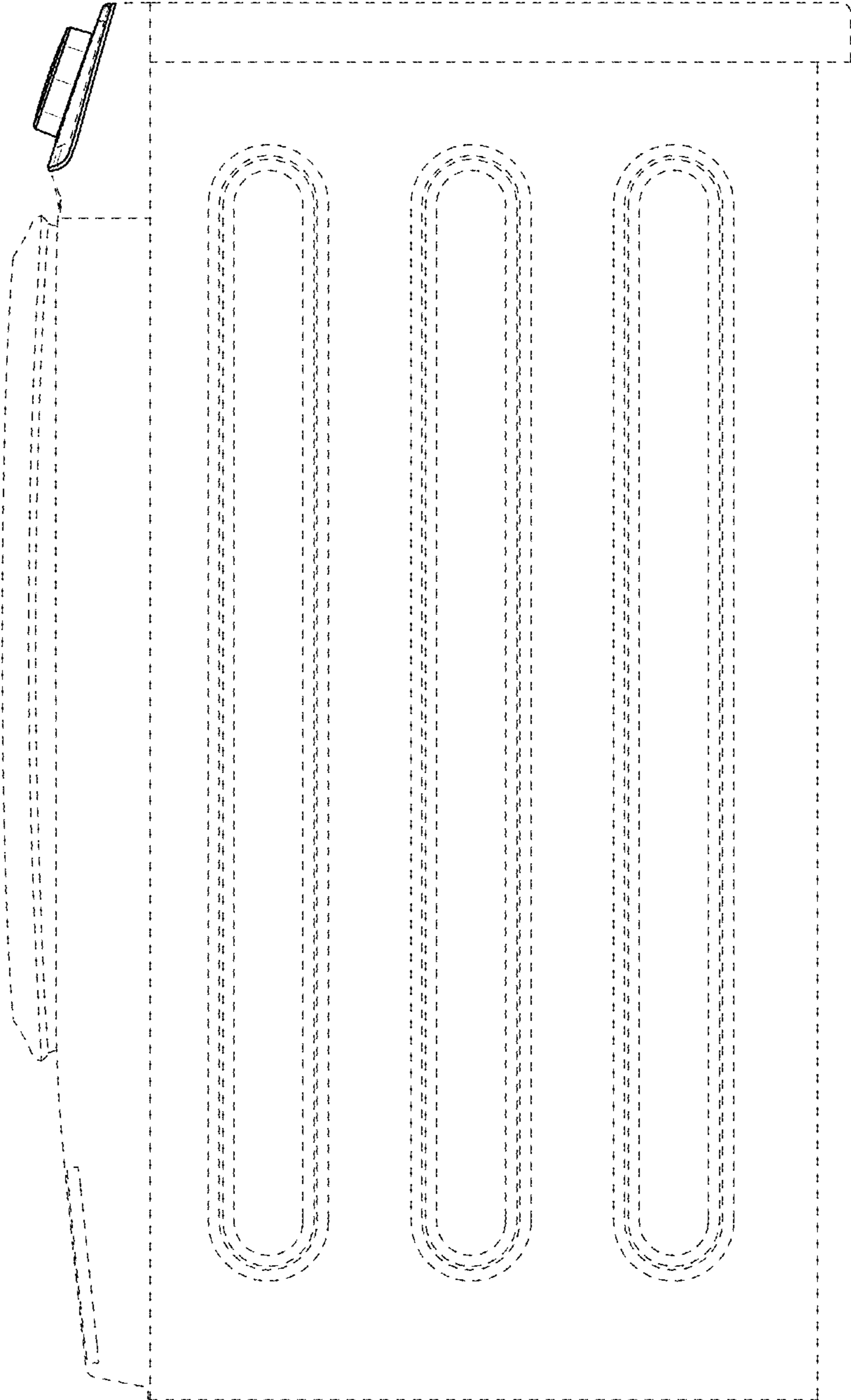


FIG. 6

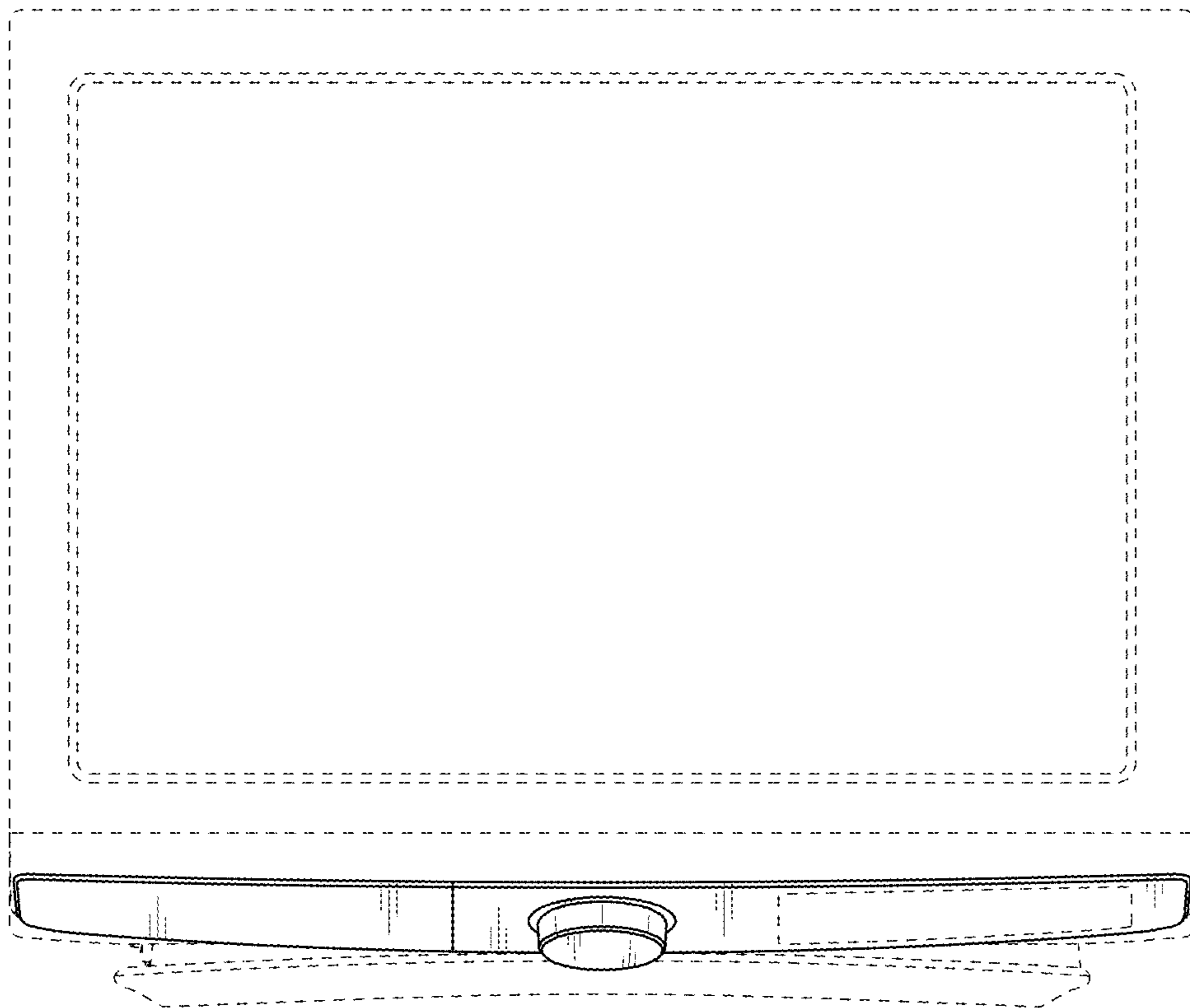




FIG. 7

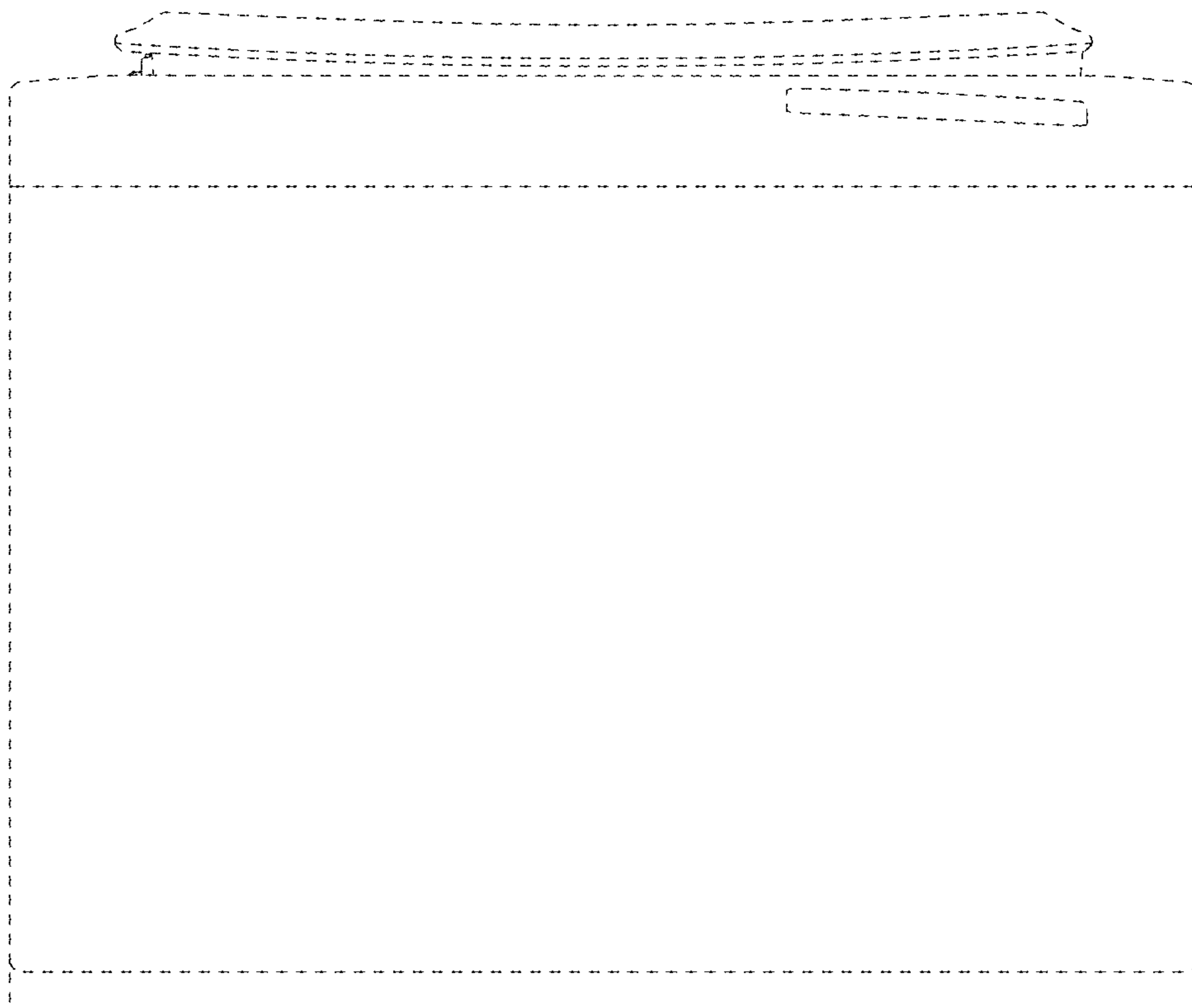


FIG. 8

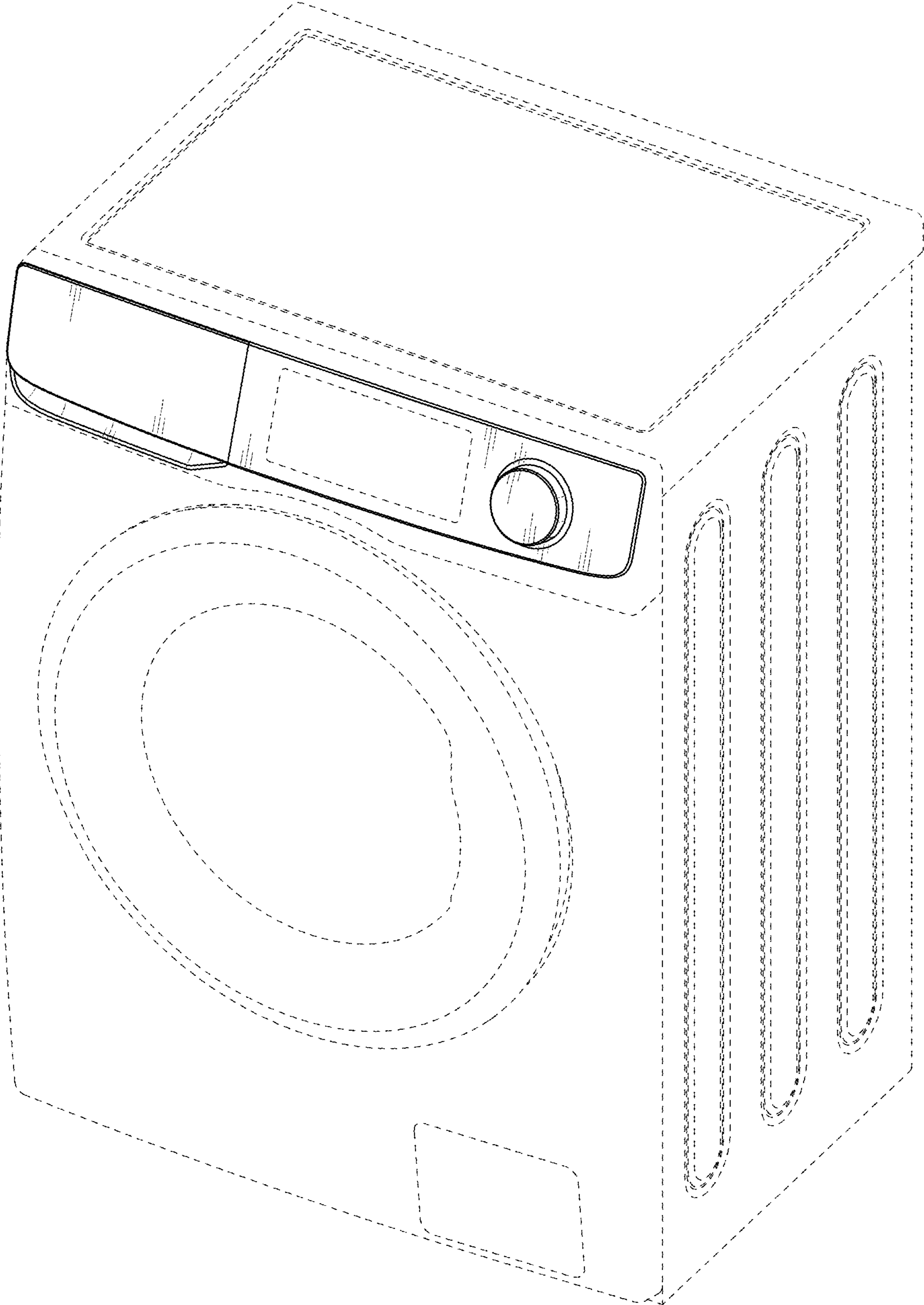


FIG. 9

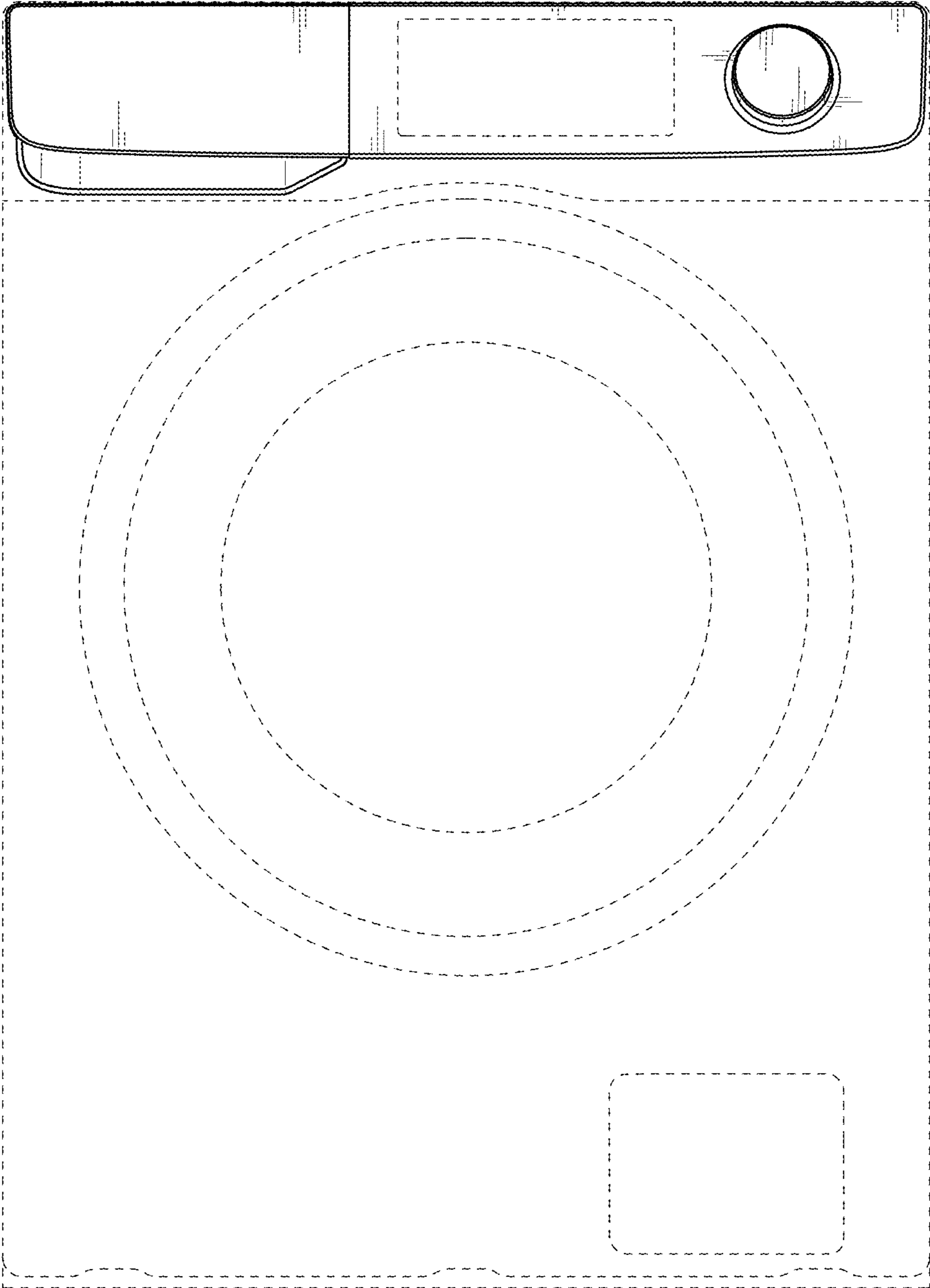


FIG. 10



FIG. 11

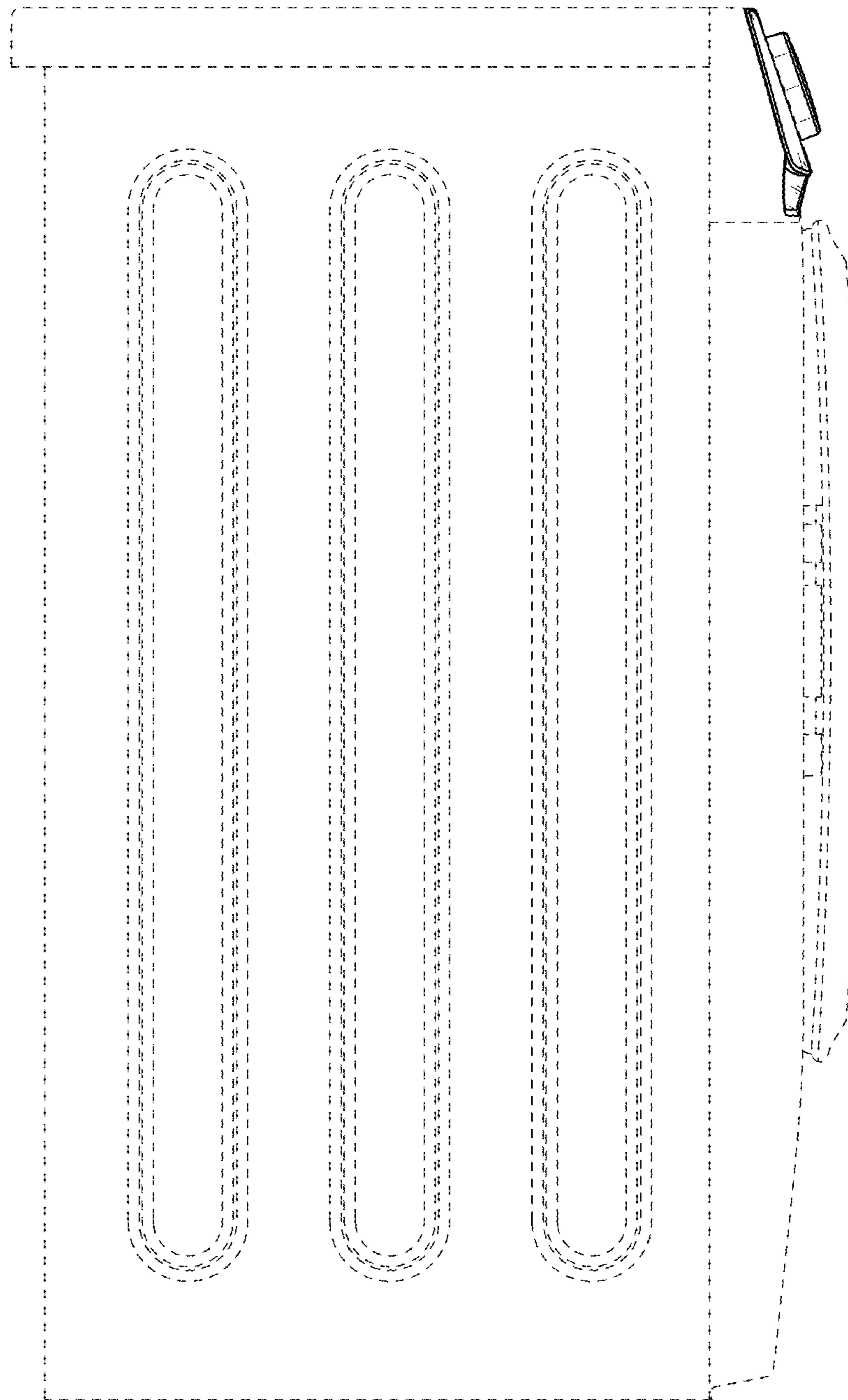




FIG. 12

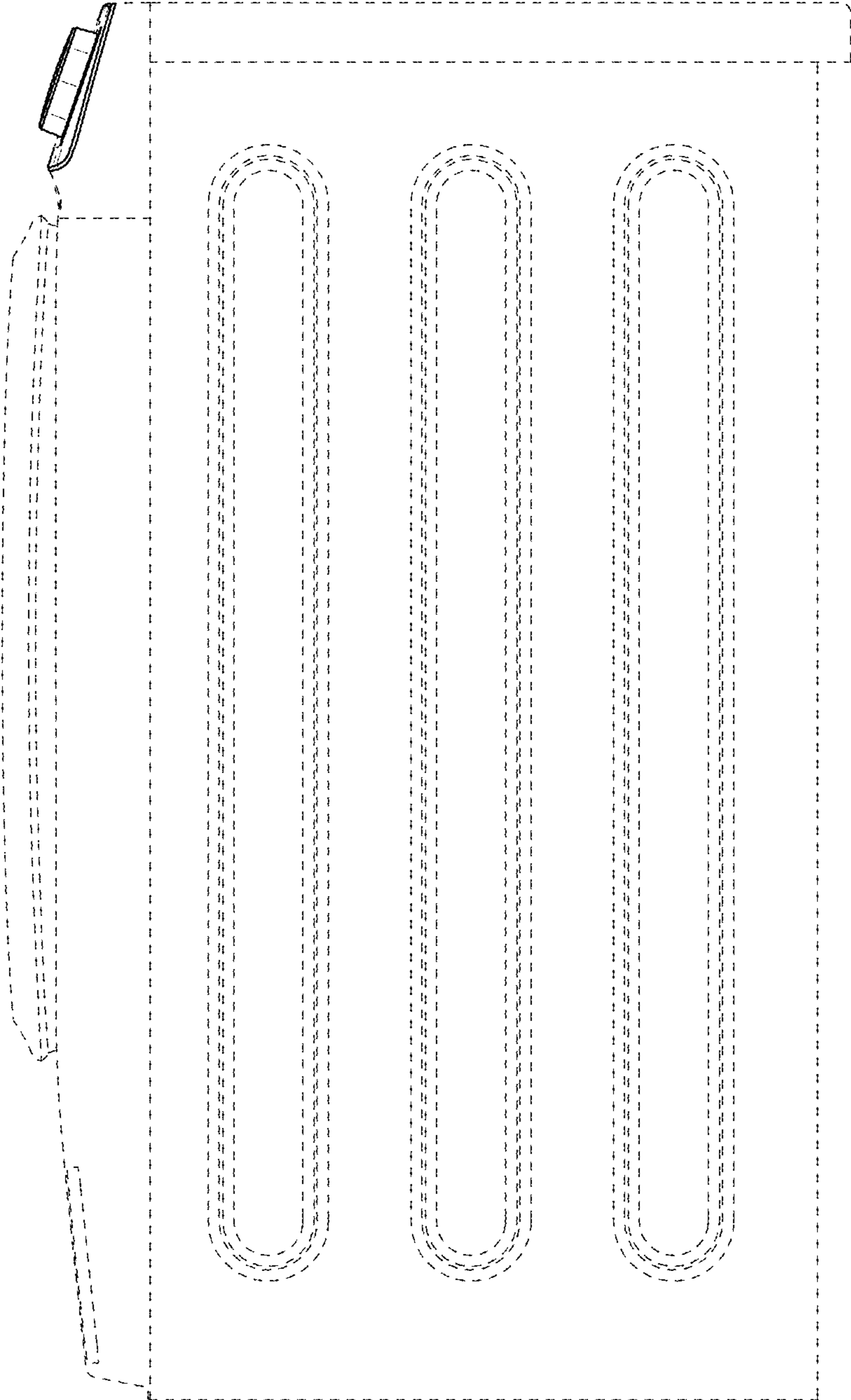


FIG. 13

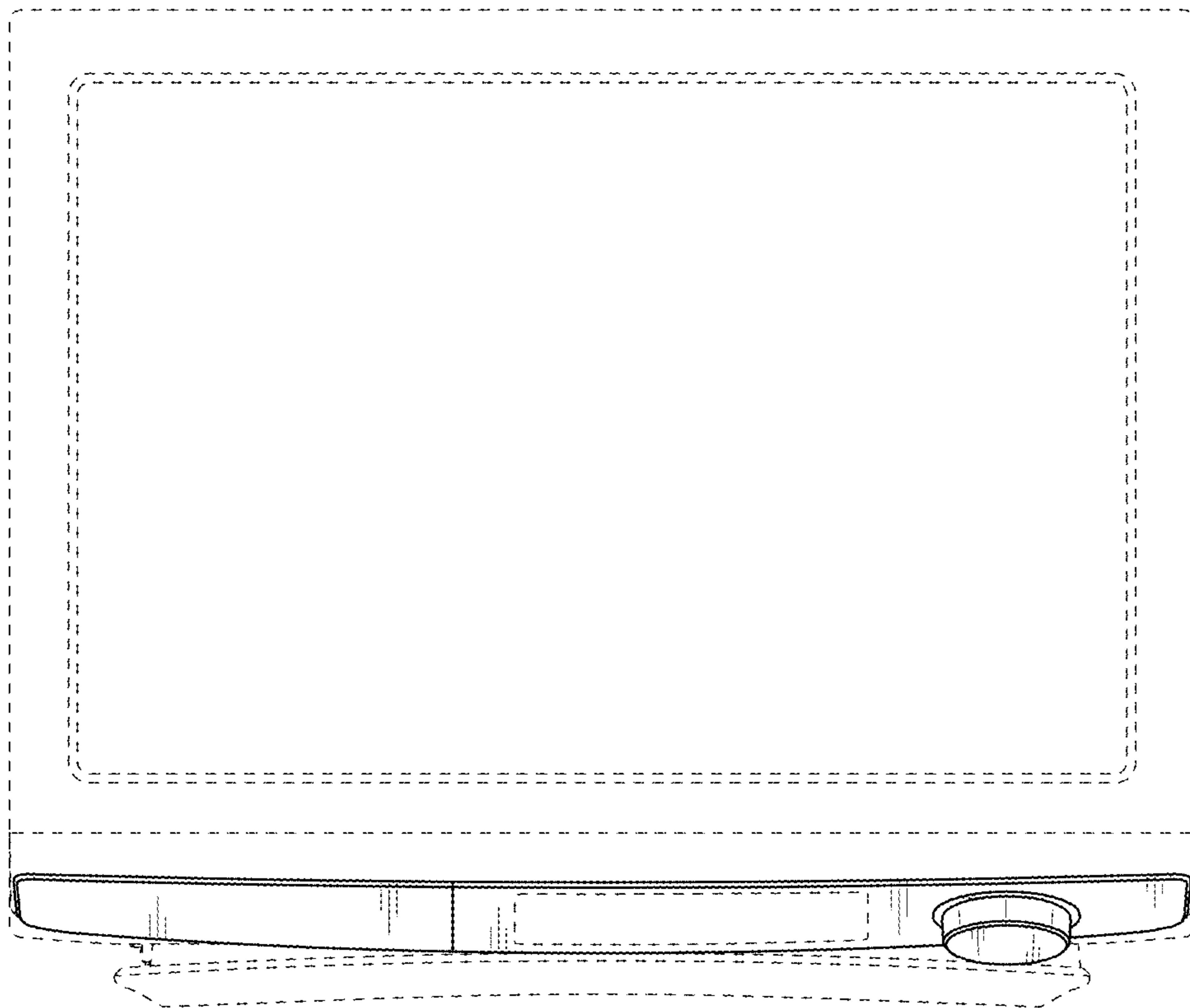


FIG. 14

