



US00D937513S

(12) **United States Design Patent** (10) **Patent No.:** **US D937,513 S**  
**Chan et al.** (45) **Date of Patent:** **\*\* Nov. 30, 2021**

(54) **FLOOR CLEANER**

6,574,831 B2 6/2003 Hunter et al.  
6,631,535 B2 10/2003 Sergyeyenko et al.  
7,188,388 B2 3/2007 Best et al.

(71) Applicant: **TECHTRONIC CORDLESS GP,**  
Anderson, SC (US)

(Continued)

(72) Inventors: **Somnanritha Chan,** Charlotte, NC  
(US); **Joseph Sexton,** Charlotte, NC  
(US); **Benjamin Shrader,** Newton, NC  
(US); **Roderick Burgess,** Charlotte, NC  
(US); **Steven P. Martise,** Gahanna, OH  
(US)

FOREIGN PATENT DOCUMENTS

CN 306512829 \* 5/2021  
CN 306512830 \* 5/2021

(Continued)

(73) Assignee: **Techtronic Cordless GP,** Anderson, SC  
(US)

Hoover DustChaser Cordless Vacuum Cleaner, available in Amazon.com, customer review oldest date Jul. 11, 2020 [online], [site visited Apr. 20, 2021], Available from the internet URL: [https://www.amazon.com/dp/B089WWK2C6/ref=cm\\_sw\\_r\\_em\\_apc\\_glc\\_fabc\\_4R54EKGR09AQ96ZDAA9A](https://www.amazon.com/dp/B089WWK2C6/ref=cm_sw_r_em_apc_glc_fabc_4R54EKGR09AQ96ZDAA9A) (Year: 2020).\*

(\*\*) Term: **15 Years**

(Continued)

(21) Appl. No.: **29/705,839**

(22) Filed: **Sep. 16, 2019**

*Primary Examiner* — Dana K Weiland

(51) **LOC (13) Cl.** ..... **15-05**

*Assistant Examiner* — Jennylou M Binas

(52) **U.S. Cl.**  
USPC ..... **D32/22**

(74) *Attorney, Agent, or Firm* — Michael Best & Friedrich LLP

(58) **Field of Classification Search**  
USPC ..... D32/17, 18, 21, 22, 23, 24, 31; D21/526  
CPC ..... A46B 9/06; A47L 5/24; A47L 5/28; A47L 5/30; A47L 5/34; A47L 7/0004; A47L 9/04; A47L 9/325; A47L 9/1683; A47L 11/302; A47L 11/34; A47L 11/4005; A47L 11/4008; A47L 11/4016; A47L 11/4041; A47L 11/4044; A47L 11/4088; A47L 13/225; B04C 5/185; B08B 3/04; B23Q 11/0046; B23Q 11/0071; E04H 4/1636

(57) **CLAIM**

We claim the ornamental design for a floor cleaner, as shown and described.

See application file for complete search history.

**DESCRIPTION**

FIG. 1 is a perspective view of a floor cleaner showing our new design.

FIG. 2 is a front view of the floor cleaner of FIG. 1.

FIG. 3 is a back view of the floor cleaner of FIG. 1.

FIG. 4 is a right side view of the floor cleaner of FIG. 1.

FIG. 5 is a left side view of the floor cleaner of FIG. 1.

FIG. 6 is a top view of the floor cleaner of FIG. 1; and,

FIG. 7 is a bottom view of the floor cleaner of FIG. 1.

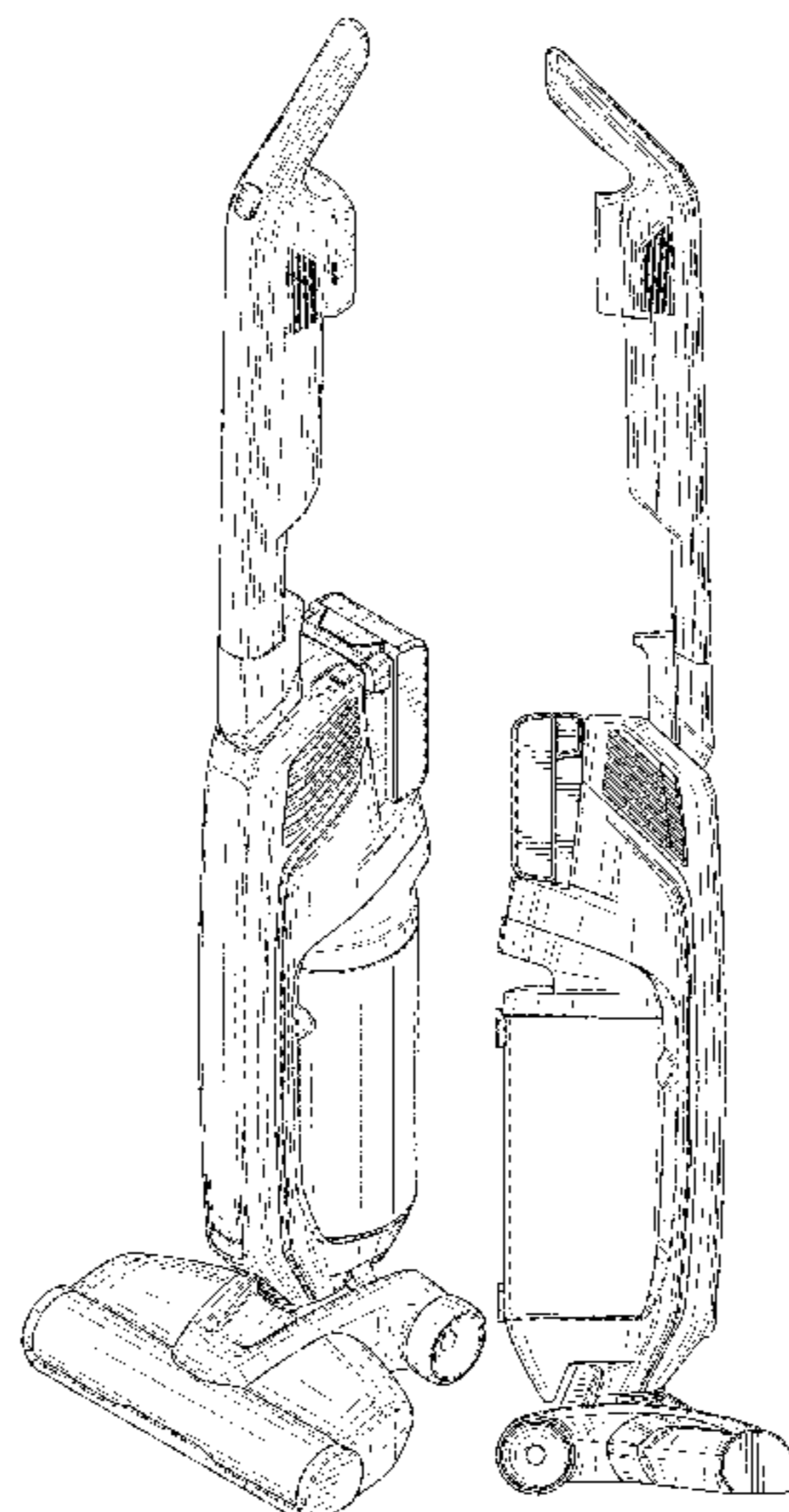
The elements shown in broken lines are included for the purpose of showing portions of the floor cleaner that form no part of the claimed design.

(56) **References Cited**

U.S. PATENT DOCUMENTS

4,644,605 A 2/1987 Joss et al.  
5,031,266 A 7/1991 Tillman et al.  
6,122,796 A 9/2000 Downham et al.  
D443,004 S \* 5/2001 Chan ..... D21/526

**1 Claim, 4 Drawing Sheets**



(56)

References Cited

U.S. PATENT DOCUMENTS

7,247,181 B2 7/2007 Hansen et al.  
D610,317 S \* 2/2010 Lee ..... D32/22  
7,676,883 B2 3/2010 Macleod et al.  
D629,577 S \* 12/2010 Bassett ..... D32/22  
D631,625 S \* 1/2011 Wada ..... D32/22  
7,882,593 B2 2/2011 Beskow et al.  
8,151,411 B2 4/2012 Beskow et al.  
8,225,456 B2 7/2012 Sanderson et al.  
8,225,457 B2 7/2012 Sanderson et al.  
8,302,251 B2 11/2012 Beskow et al.  
8,424,154 B2 4/2013 Beskow et al.  
8,607,406 B2 12/2013 Miefalk et al.  
8,671,510 B2 3/2014 Han et al.  
8,677,554 B2 3/2014 Conrad  
8,769,764 B2 7/2014 Crouch et al.  
9,254,069 B2 2/2016 Kim et al.  
9,439,548 B2 9/2016 Jenson  
9,451,852 B2 9/2016 Conrad  
D789,004 S \* 6/2017 Boehler ..... D32/22  
D789,626 S \* 6/2017 Bloemendaal ..... D32/22  
9,675,218 B2 6/2017 Kim et al.  
D792,668 S \* 7/2017 Yoon ..... D32/22  
9,757,001 B2 9/2017 Hwang et al.  
9,861,240 B2 1/2018 Jenson  
9,901,228 B2 2/2018 Conrad  
9,962,046 B2 5/2018 Rowntree  
D823,565 S \* 7/2018 Wrobleski ..... D32/22  
10,105,022 B2 10/2018 Lim et al.  
D836,863 S \* 12/2018 Theising ..... D32/22  
10,154,765 B2 12/2018 Khalil  
10,213,074 B2 2/2019 Jenson  
D877,430 S \* 3/2020 Hooley ..... D32/22  
D882,893 S \* 4/2020 Hooley ..... D32/31  
2002/0011050 A1 1/2002 Hansen et al.  
2003/0159411 A1 8/2003 Hansen et al.  
2005/0125940 A1 6/2005 McDowell  
2007/0136984 A1 6/2007 Hsu  
2008/0040883 A1 2/2008 Beskow  
2011/0289720 A1 12/2011 Han et al.

2012/0110775 A1\* 5/2012 Krebs ..... A47L 7/0014  
15/347  
2018/0084964 A1 3/2018 Pi et al.  
2019/0008337 A1 1/2019 Lim et al.  
2020/0060485 A1\* 2/2020 Paula ..... A47L 9/325  
2020/0060488 A1\* 2/2020 McRorie ..... A47L 9/0477  
2020/0060503 A1\* 2/2020 Davila ..... A47L 11/4075  
2020/0329939 A1\* 10/2020 Shrader ..... A47L 11/4083  
2020/0390302 A1\* 12/2020 Davila ..... A47L 9/0494  
2021/0161349 A1\* 6/2021 Davila ..... A47L 11/201  
2021/0186286 A1\* 6/2021 Materdo ..... A47L 9/1666  
2021/0186292 A1\* 6/2021 Davila ..... A47L 11/4088  
2021/0204767 A1\* 7/2021 Burgess ..... A47L 5/28  
2021/0204768 A1\* 7/2021 Scott ..... A47L 5/225  
2021/0204769 A1\* 7/2021 Thomas ..... A47L 5/24  
2021/0204770 A1\* 7/2021 Terry ..... A47L 5/28  
2021/0204776 A1\* 7/2021 Birchler ..... A47L 9/1666  
2021/0204780 A1\* 7/2021 Pohlman ..... A47L 11/03  
2021/0219806 A1\* 7/2021 Davila ..... A47L 11/4083

FOREIGN PATENT DOCUMENTS

CN 306512831 \* 5/2021  
GB 6084826 \* 3/2020  
GB 6084827 \* 3/2020  
WO 2014001502 A1 1/2014  
WO 2015189563 A1 12/2015  
WO 2016135167 A1 9/2016  
WO 2018065068 A1 4/2018  
WO 2018065069 A1 4/2018

OTHER PUBLICATIONS

Hoover ONEPWR Evolve Pet Cordless Upright Vacuum Cleaner, available in Amazon.com, customer review oldest date Jul. 9, 2017 [online], [site visited Apr. 20, 2021], Available from the internet URL: [https://www.amazon.com/dp/B08749DHG1/ref=cm\\_sw\\_r\\_em\\_apg\\_glc\\_fabc\\_YRECEGE0P8D8BZN837C0?\\_encoding=UTF8&psc=1](https://www.amazon.com/dp/B08749DHG1/ref=cm_sw_r_em_apg_glc_fabc_YRECEGE0P8D8BZN837C0?_encoding=UTF8&psc=1) (Year: 2017).\*

\* cited by examiner



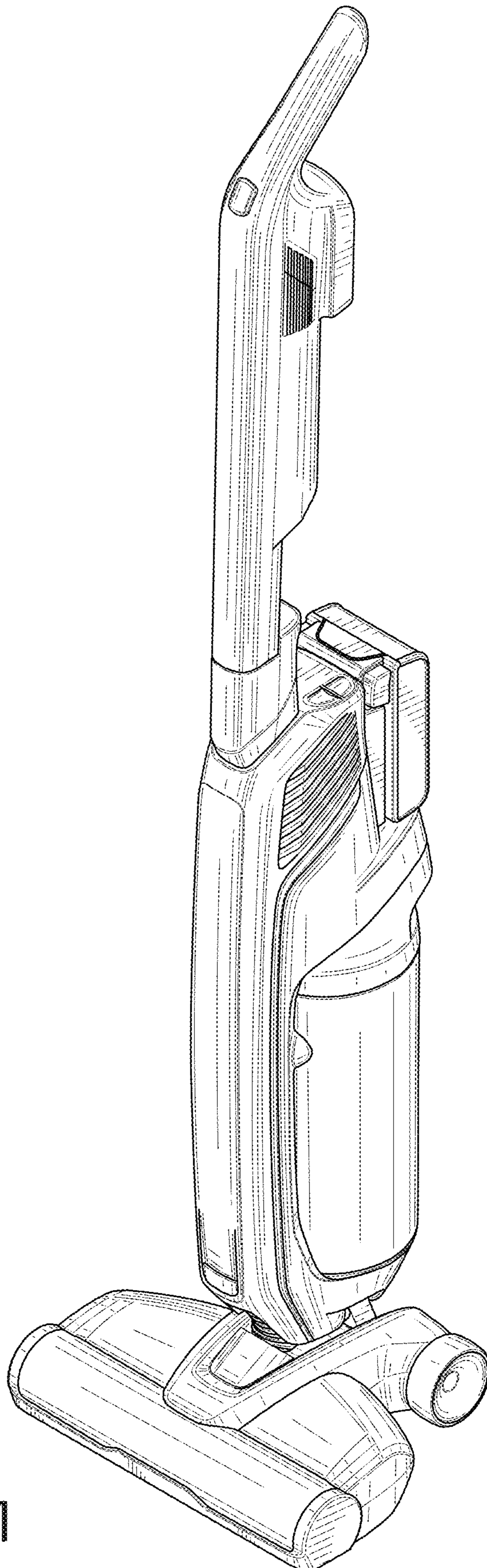


FIG. 1

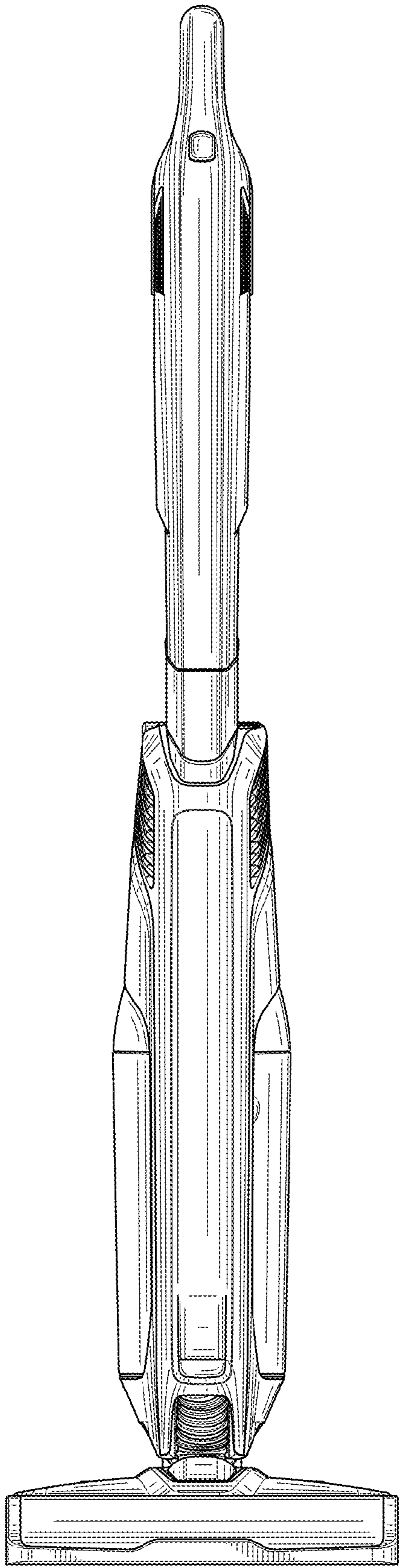


FIG. 2

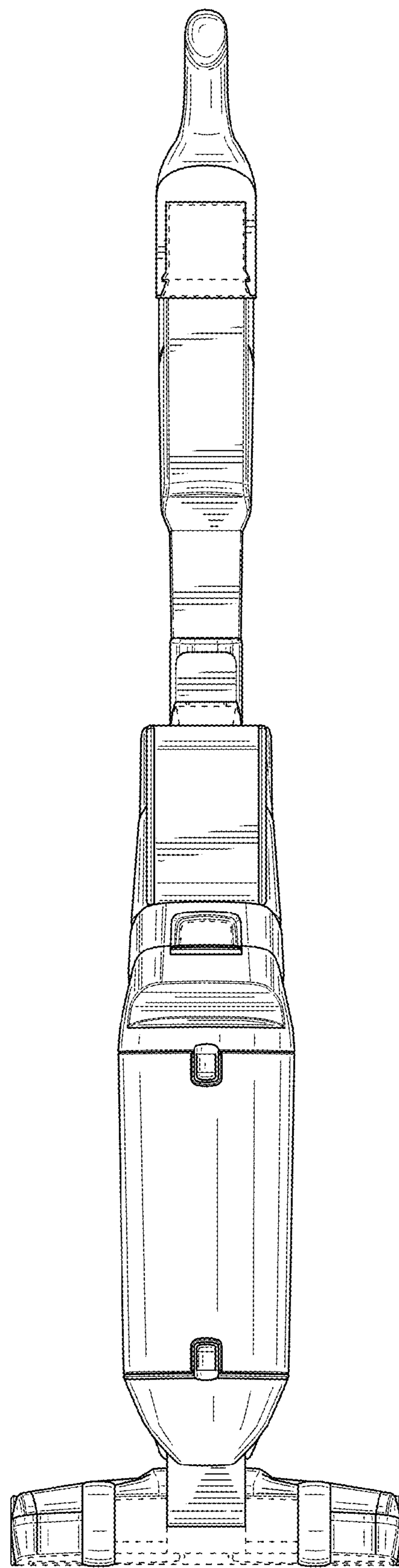


FIG. 3

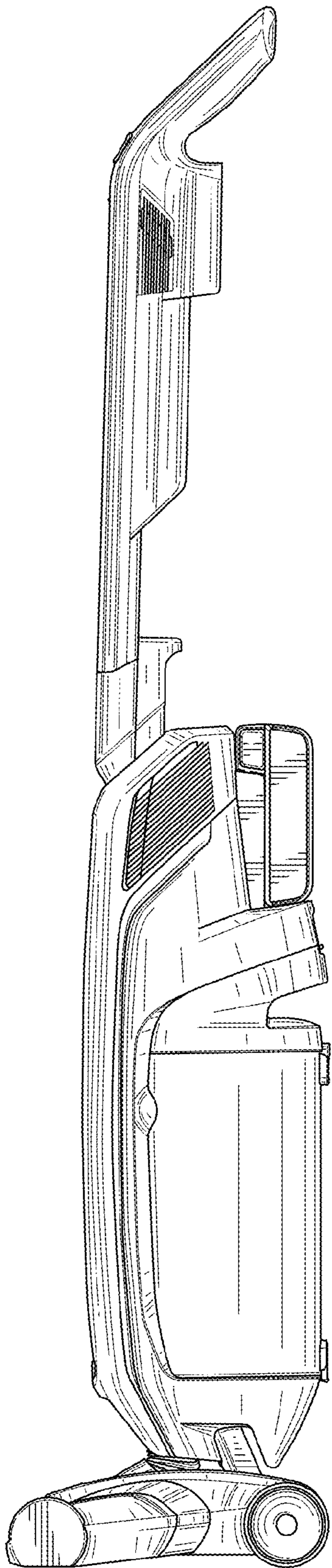


FIG. 4

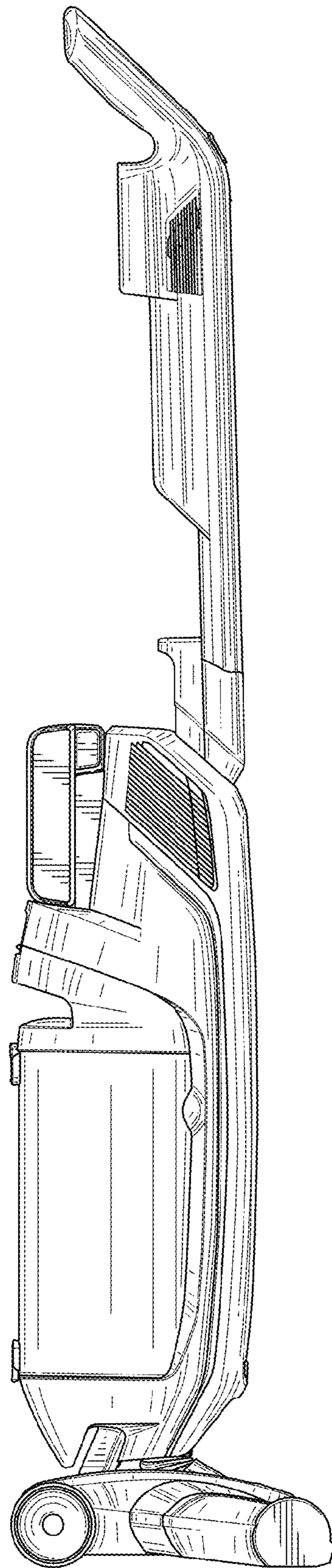


FIG. 5



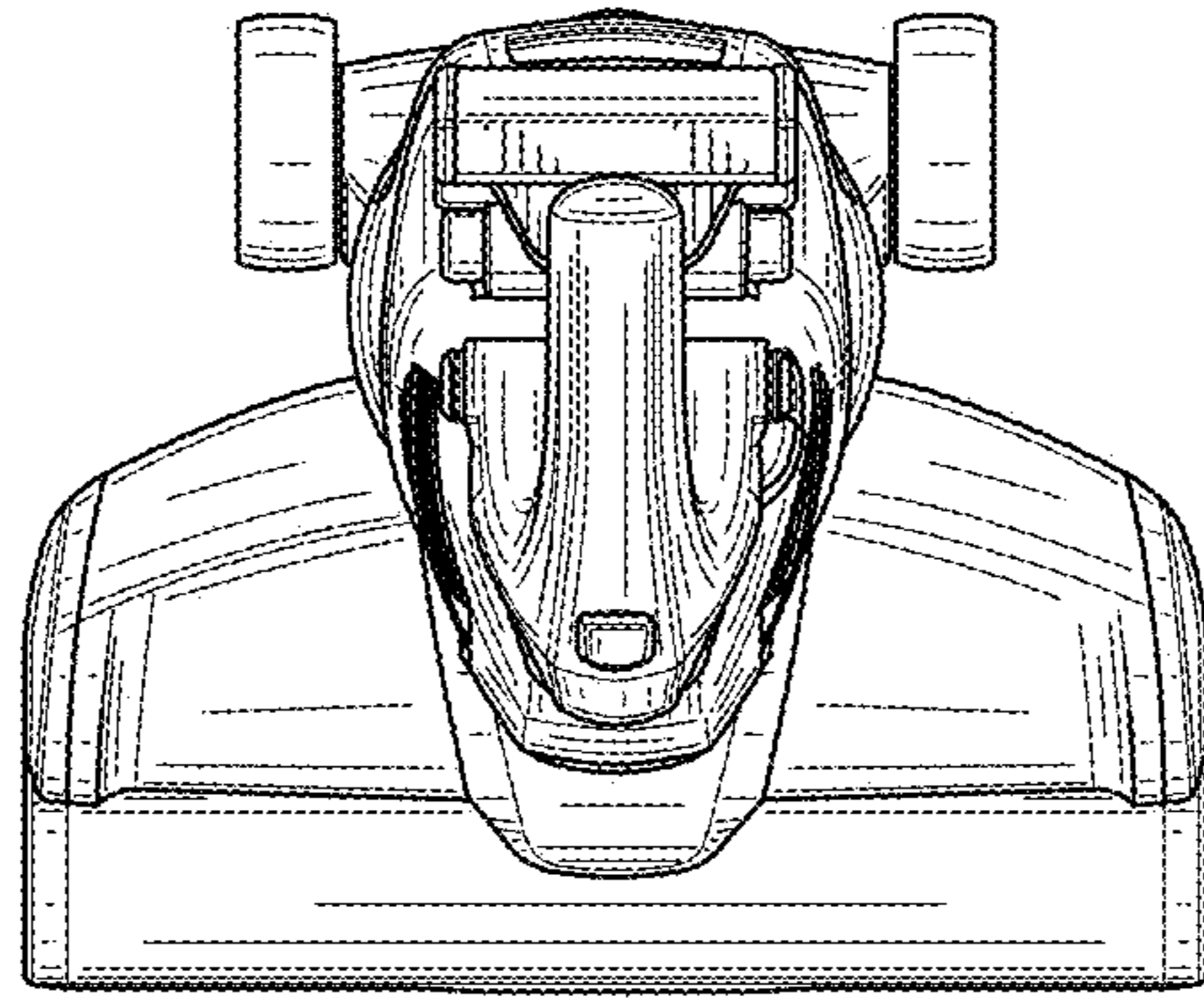


FIG. 6

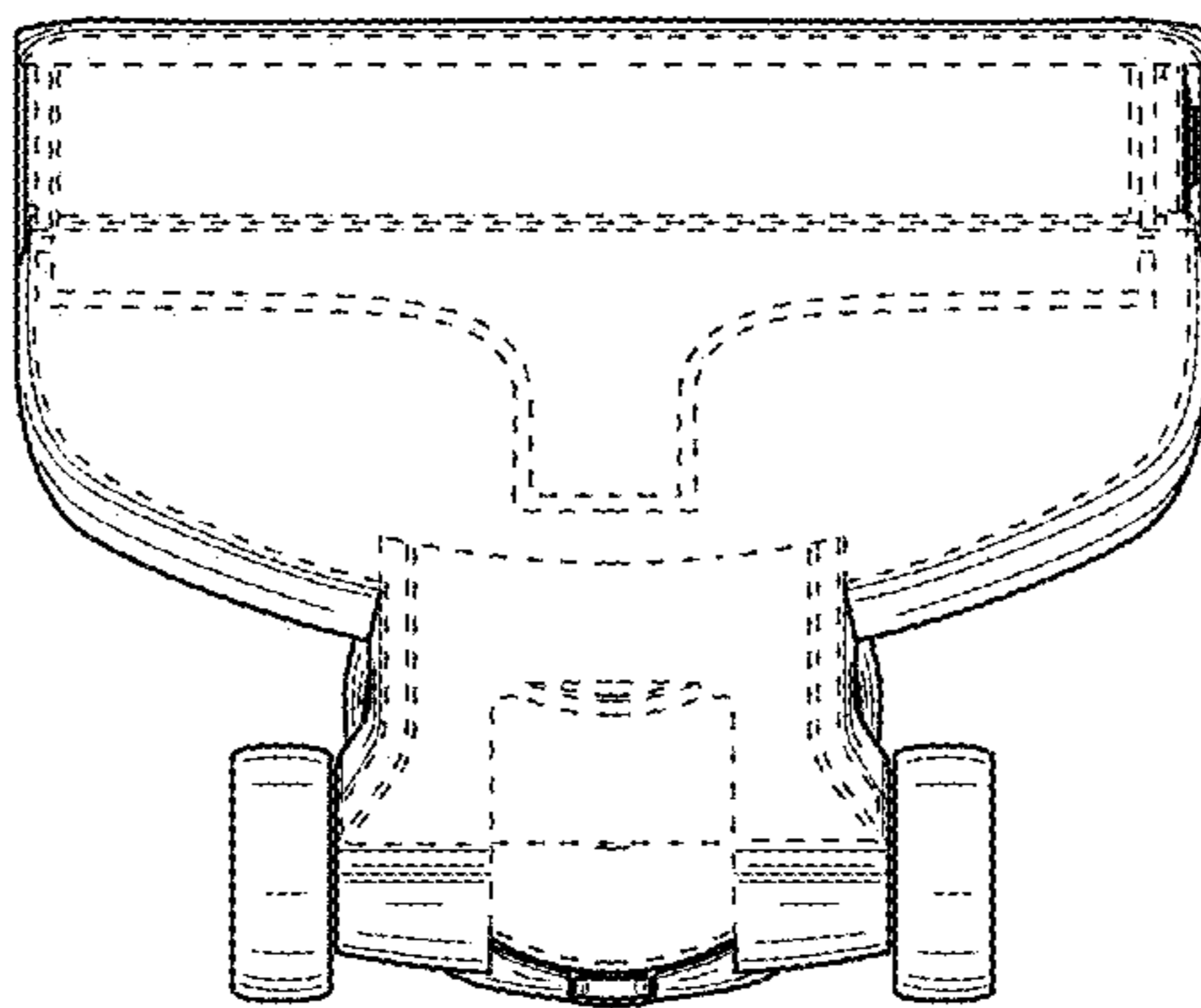


FIG. 7