

US00D937511S

(12) **United States Design Patent** (10) **Patent No.:** **US D937,511 S**  
**Standaloft et al.** (45) **Date of Patent:** **\*\* \*Nov. 30, 2021**

(54) **PORTABLE WET DRY VACUUM CLEANER**

(71) Applicant: **Black & Decker, Inc.**, New Britain, CT (US)

(72) Inventors: **James Standaloft**, Gateshead (GB);  
**Carl Malia**, Durham (GB); **Graeme Crawley**, Newcastle upon Tyne (GB);  
**Gary Spratt**, County Durham (GB);  
**Stephen Houghton**, Newcastle upon Tyne (GB)

(73) Assignee: **Black & Decker, Inc.**, New Britain, CT (US)

(\*) Notice: This patent is subject to a terminal disclaimer.

(\*\*) Term: **15 Years**

(21) Appl. No.: **29/747,893**

(22) Filed: **Aug. 26, 2020**

(30) **Foreign Application Priority Data**

Feb. 26, 2020 (EM) ..... 007717145

(51) **LOC (13) Cl.** ..... **15-05**

(52) **U.S. Cl.**  
USPC ..... **D32/18**

(58) **Field of Classification Search**  
USPC ..... D32/17, 18, 21, 22, 31; D21/526  
CPC ..... A47L 5/24; A47L 5/26; A47L 5/28; A47L 9/102; A47L 9/122; A47L 9/127; A47L 9/1608; A47L 9/1683; A47L 9/2857; A47L 9/2884; A47L 9/32; A47L 9/322; B04C 5/185; B08B 3/04; B01D 2279/55; B23Q 11/0046; B23Q 11/0071; E04H 4/1636; Y10T 29/49716

See application file for complete search history.

(56) **References Cited**

U.S. PATENT DOCUMENTS

D371,651 S \* 7/1996 Bass ..... D32/18  
D388,563 S \* 12/1997 Lui ..... D32/18  
D448,894 S \* 10/2001 Yuen ..... D32/18  
D541,495 S \* 4/2007 DiPasquale ..... D32/18  
D555,848 S \* 11/2007 DiPasquale ..... D32/18

(Continued)

FOREIGN PATENT DOCUMENTS

CA 112000 \* 10/2006  
GB 2048369 \* 7/1996

OTHER PUBLICATIONS

Bisell 20037 Pet Stain Eraser, available in Amazon.com, customer review oldest date Oct. 26, 2019 [online], [site visited Mar. 3, 2021 ], Available from the internet URL: [https://www.amazon.com/BISSELL-20037-Cordless-Portable-Cleaner/dp/B07X1ZM7HC/ref=cm\\_cr\\_arp\\_d\\_product\\_top?ie=UTF8](https://www.amazon.com/BISSELL-20037-Cordless-Portable-Cleaner/dp/B07X1ZM7HC/ref=cm_cr_arp_d_product_top?ie=UTF8) (Year: 2019).\*

(Continued)

*Primary Examiner* — Dana K Weiland  
*Assistant Examiner* — Jennylou M Binas  
(74) *Attorney, Agent, or Firm* — John Yun

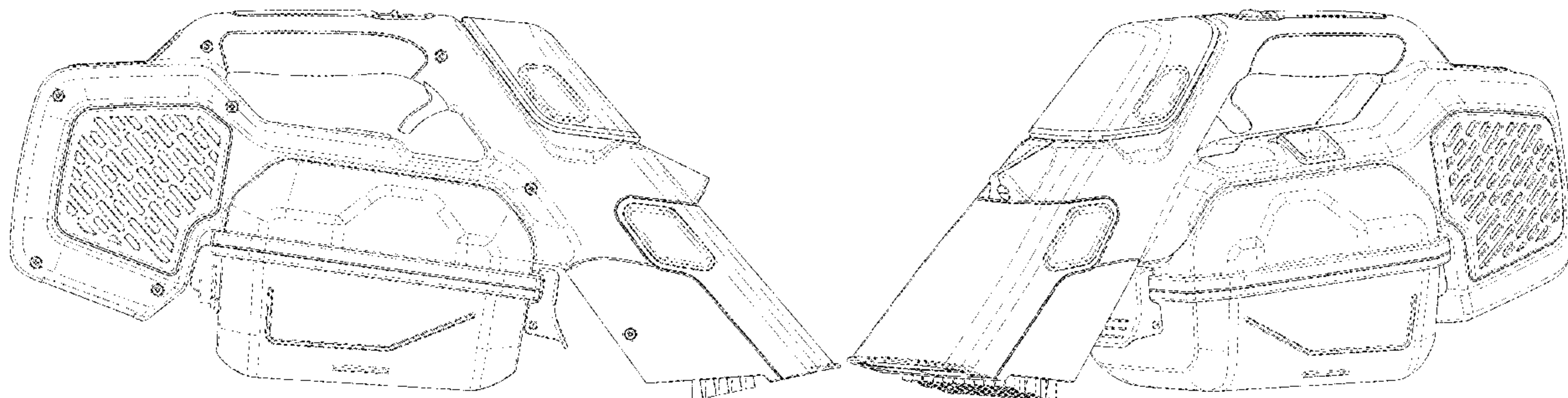
(57) **CLAIM**

The ornamental design for a portable wet dry vacuum cleaner, as shown and described.

**DESCRIPTION**

FIG. 1 is a front view of a portable wet dry vacuum cleaner showing the new design.  
FIG. 2 is a top side view thereof.  
FIG. 3 is a left side view thereof.  
FIG. 4 is a perspective view thereof.  
FIG. 5 is a back view thereof.  
FIG. 6 is a bottom view thereof; and,  
FIG. 7 is a right side view thereof.  
The broken lines shown in the drawings depict portions of the portable wet dry vacuum cleaner that form no part of the claimed design.

**1 Claim, 7 Drawing Sheets**



(56)

**References Cited**

U.S. PATENT DOCUMENTS

D587,867	S *	3/2009	Toran .....	D32/18
D729,471	S *	5/2015	Aglassinger .....	D32/18
D732,252	S *	6/2015	Leung .....	D32/18
D825,869	S *	8/2018	Bloemendaal .....	D32/18
D827,955	S *	9/2018	Palladino .....	D32/18
2005/0273969	A1 *	12/2005	Watson .....	A47L 9/26
				15/344
2015/0230677	A1 *	8/2015	Andrikanish .....	A47L 9/102
				15/353
2016/0113455	A1 *	4/2016	Horvath .....	A47L 9/165
				15/344
2021/0169284	A1 *	6/2021	Royale .....	A47L 9/322

OTHER PUBLICATIONS

Black+Decker spillbuster Portable Carpet Cleaner available in Amazon.com, customer review oldest date Feb. 12, 2021 [online], [site visited Mar. 3, 2021], Available from the internet URL: [https://www.amazon.com/dp/B088B6YCJ2/ref=cm\\_sw\\_r\\_em\\_apa\\_fabc\\_C67VQFAD6ADW2VJMWHGG](https://www.amazon.com/dp/B088B6YCJ2/ref=cm_sw_r_em_apa_fabc_C67VQFAD6ADW2VJMWHGG) (Year: 2021).\*

Black+Decker spillbuster Portable Carpet Cleaner, Cordless Spill and Spot, available in Amazon.com, customer review oldest date Oct. 29, 2020 [online], [site visited Mar. 3, 2021], Available from the internet URL: [https://www.amazon.com/dp/B086T5FFZW/ref=cm\\_sw\\_r\\_em\\_apa\\_fabc\\_ZDM0NQFPX4C1NENWS802](https://www.amazon.com/dp/B086T5FFZW/ref=cm_sw_r_em_apa_fabc_ZDM0NQFPX4C1NENWS802) (Year: 2020).\*

\* cited by examiner

FIG. 1

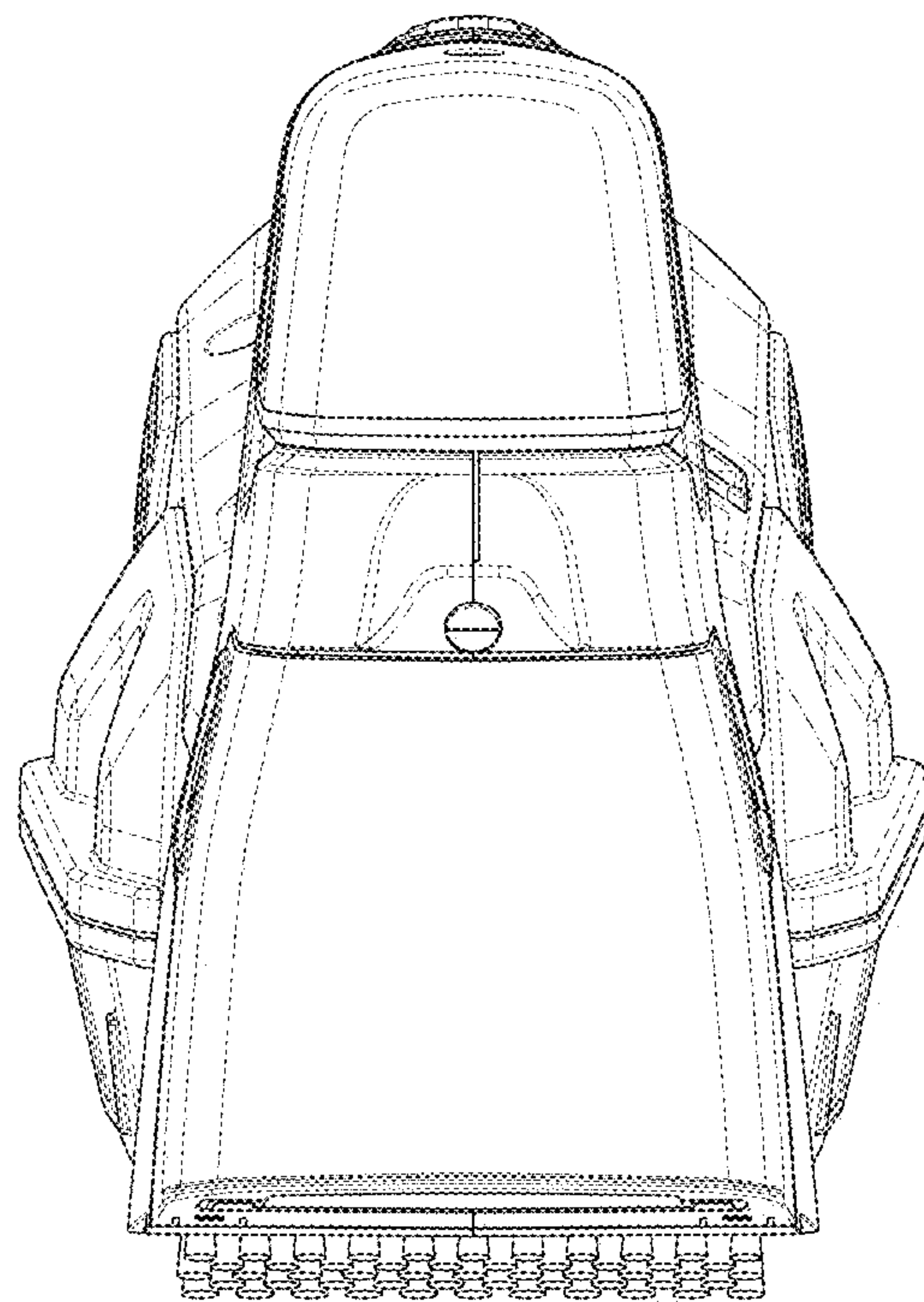


FIG. 2

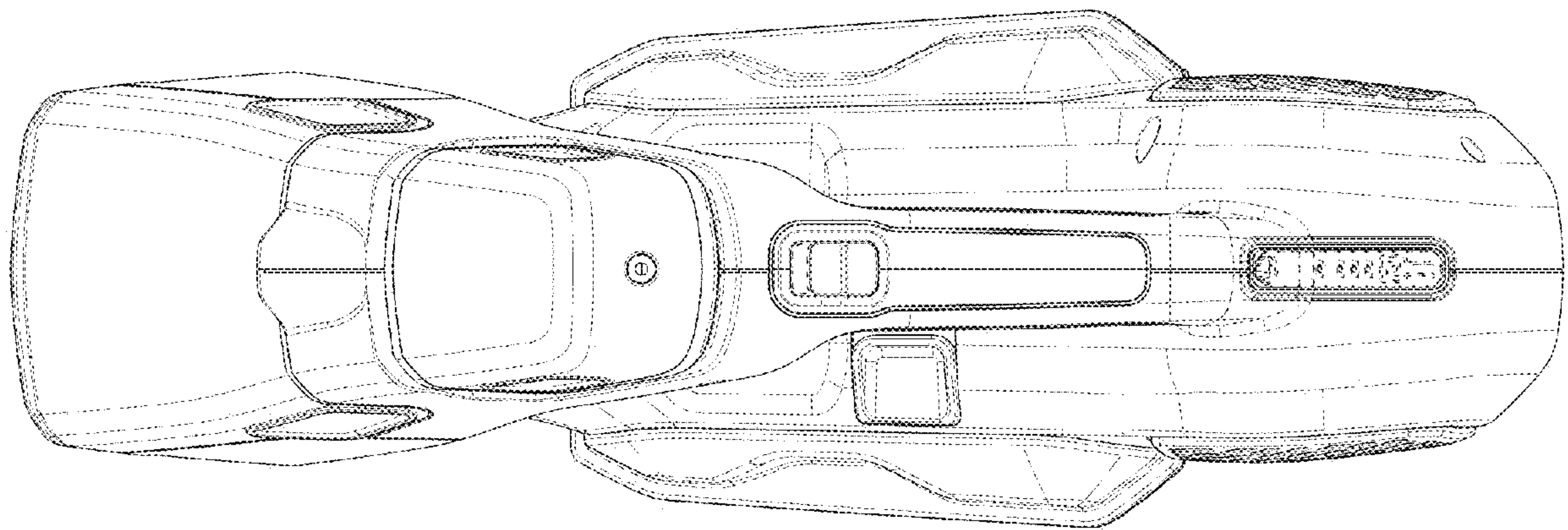




FIG. 3

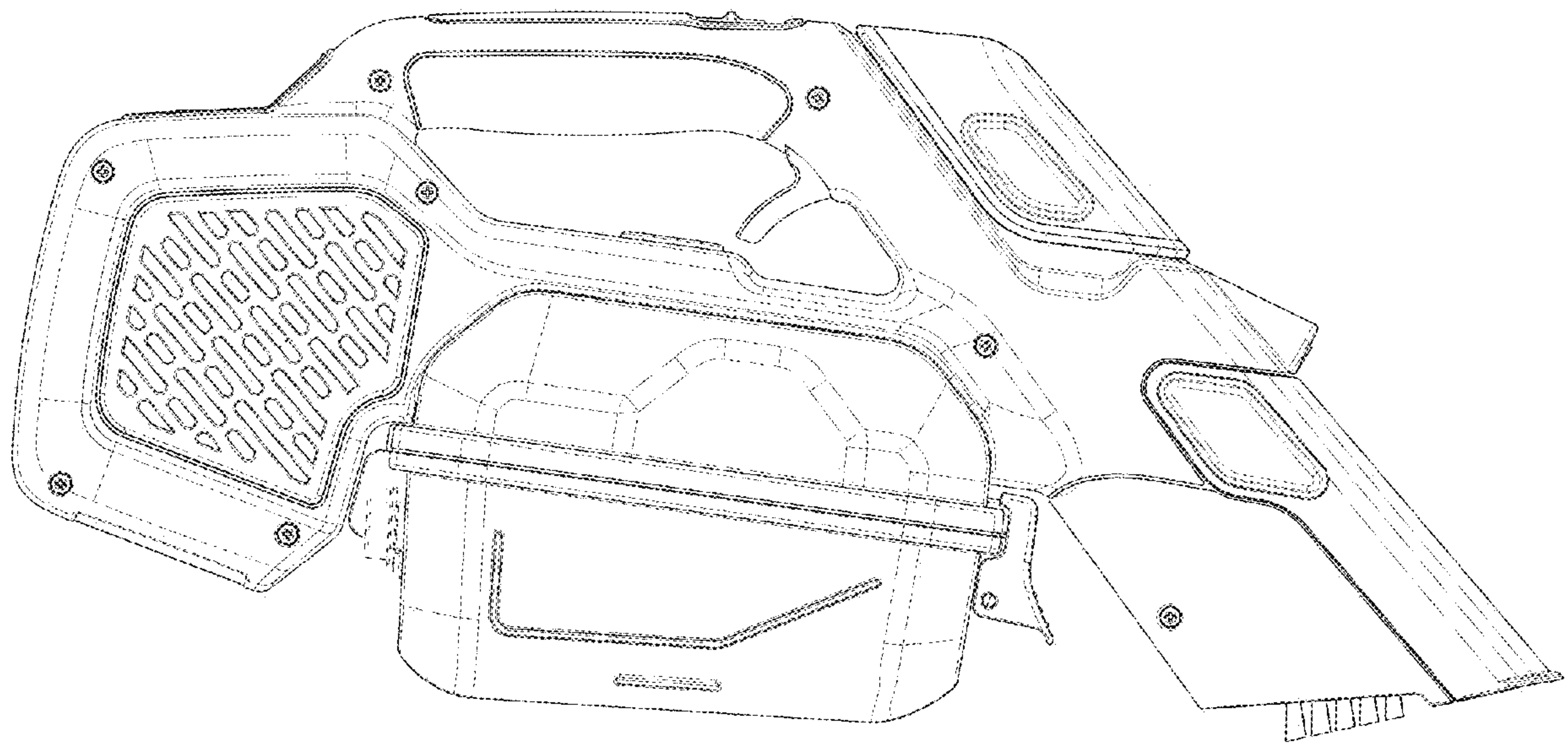


FIG. 4

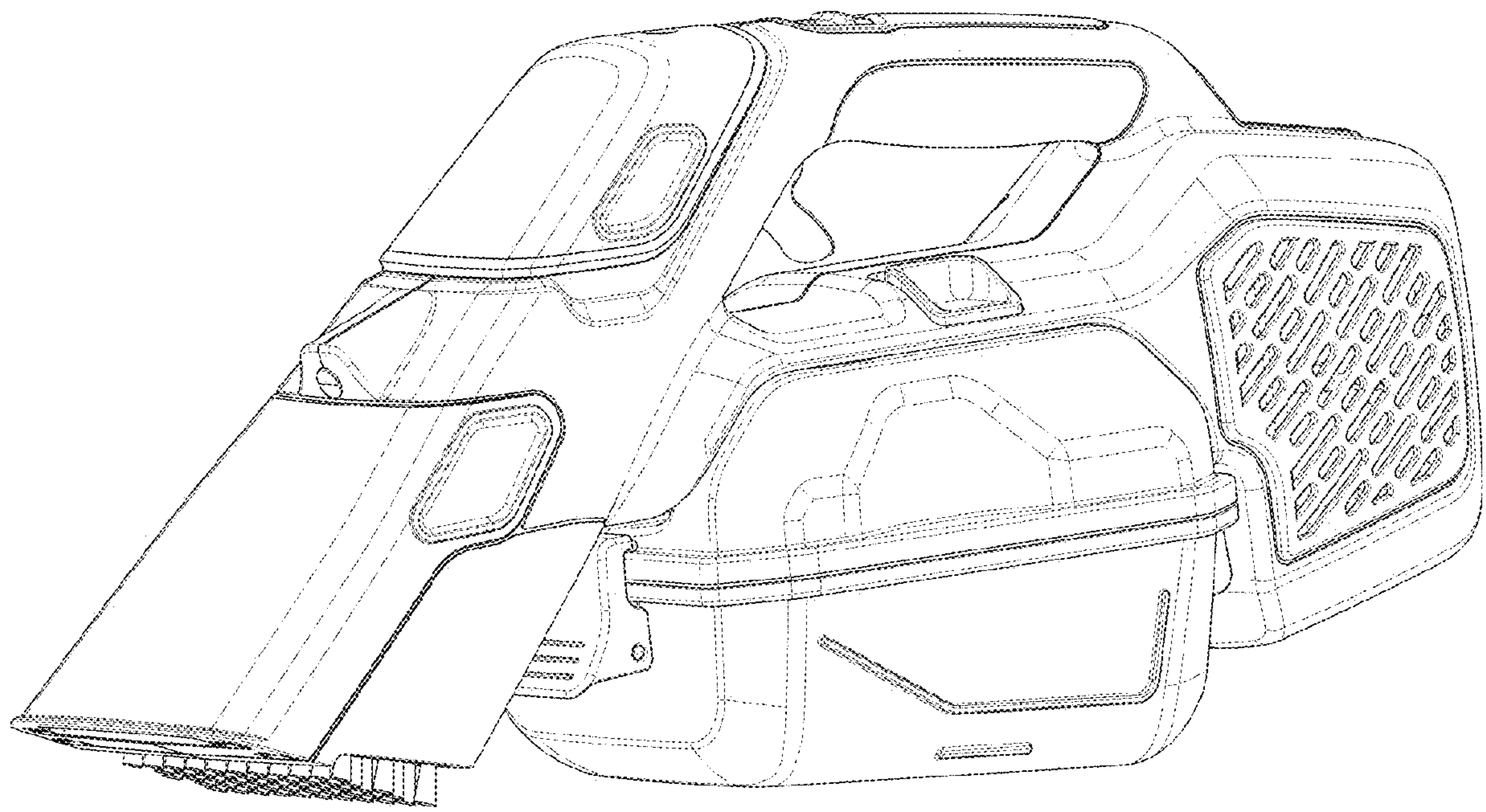


FIG. 5

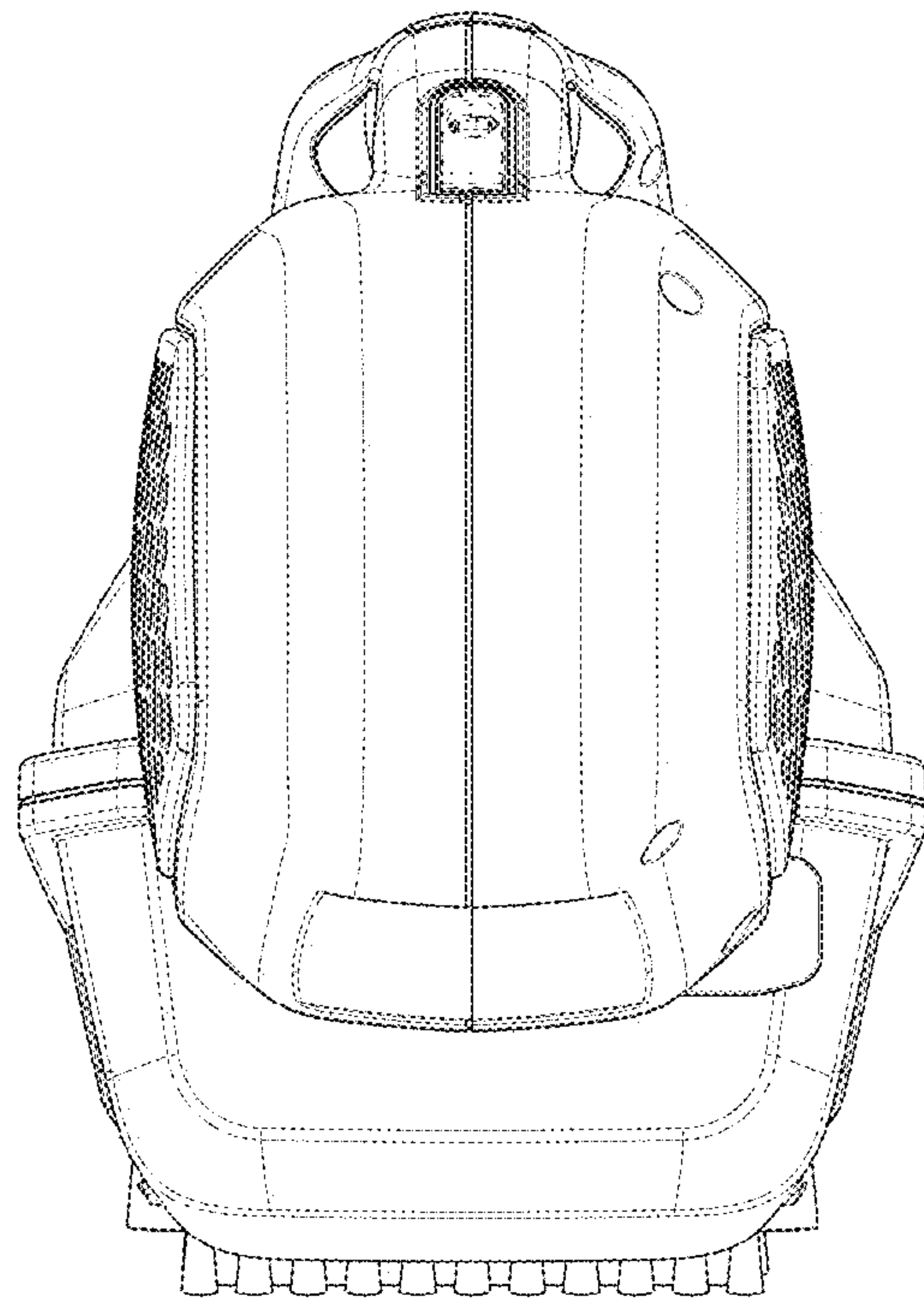


FIG. 6

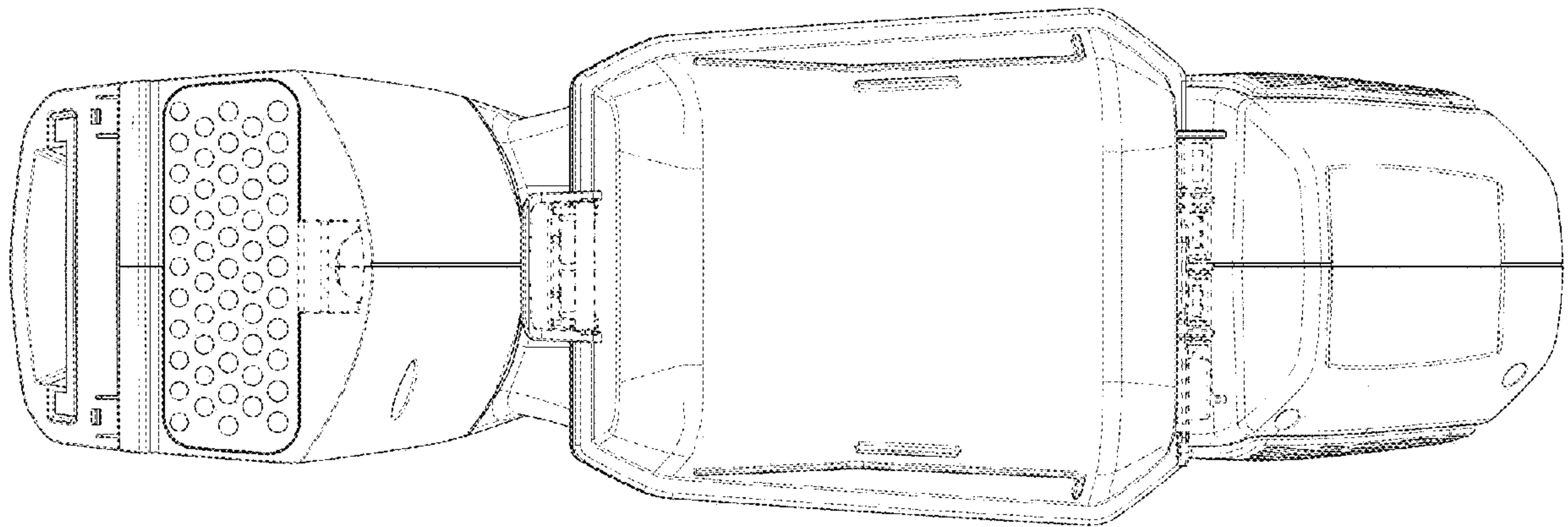




FIG. 7

