



US00D937510S

(12) **United States Design Patent** (10) **Patent No.:** **US D937,510 S**
Xu (45) **Date of Patent:** **** Nov. 30, 2021**

(54) **VACUUM CLEANER**
(71) Applicant: **Suzhou Sweep Electric Appliance Co., Ltd., Suzhou (CN)**
(72) Inventor: **Dongliang Xu, Suzhou (CN)**
(73) Assignee: **Suzhou Sweep Electric Appliance Co., Ltd., Suzhou (CN)**

D873,516 S * 1/2020 Palladino D32/32
D891,014 S * 7/2020 Chu D32/18
D911,641 S * 2/2021 Hu D32/18
(Continued)

(**) Term: **15 Years**
(21) Appl. No.: **29/726,752**
(22) Filed: **Mar. 5, 2020**
(51) **LOC (13) Cl.** **15-05**
(52) **U.S. Cl.**
USPC **D32/18**

FOREIGN PATENT DOCUMENTS

IN 329413-001-0001 * 4/2021
JP D1679696 * 2/2021

(58) **Field of Classification Search**
USPC D32/17, 18, 21, 22, 23, 24, 31; D21/526
CPC A46B 9/06; A47L 5/24; A47L 5/28; A47L 5/30; A47L 5/34; A47L 7/0004; A47L 9/04; A47L 9/325; A47L 9/1683; A47L 11/302; A47L 11/34; A47L 11/4005; A47L 11/4008; A47L 11/4016; A47L 11/4041; A47L 11/4044; A47L 11/4088; A47L 13/225; B04C 5/185; B08B 3/04; B23Q 11/0046; B23Q 11/0071; E04H 4/1636

OTHER PUBLICATIONS

Foxnovo Handheld Vacuum Cleaner Cordless, available in Amazon.com, date first available Apr. 1, 2021 [online], [site visited May 17, 2021], Available from the internet URL: https://www.amazon.com/dp/B08W1KT1KH/ref=cm_sw_r_em_apa_glt_fabc_MCVB5D4KTH1FGWB5G18W?_encoding=UTF8&psc=1 (Year: 2021).*

See application file for complete search history.

(Continued)

Primary Examiner — Dana K Weiland
Assistant Examiner — Jennylou M Binas
(74) *Attorney, Agent, or Firm* — Bayramoglu Law Offices LLC

(56) **References Cited**

U.S. PATENT DOCUMENTS

D303,856 S * 10/1989 Yuen D32/18
D314,650 S * 2/1991 Pudwill D32/18
D398,099 S * 9/1998 Leung D32/22
D708,803 S * 7/2014 Dyson D32/31
D743,125 S * 11/2015 Lee D32/22
D785,260 S * 4/2017 Lin D32/31
D812,829 S * 3/2018 Shin D06F 87/00
D855,910 S * 8/2019 Gammack D32/18
D861,268 S * 9/2019 Meyer D32/22

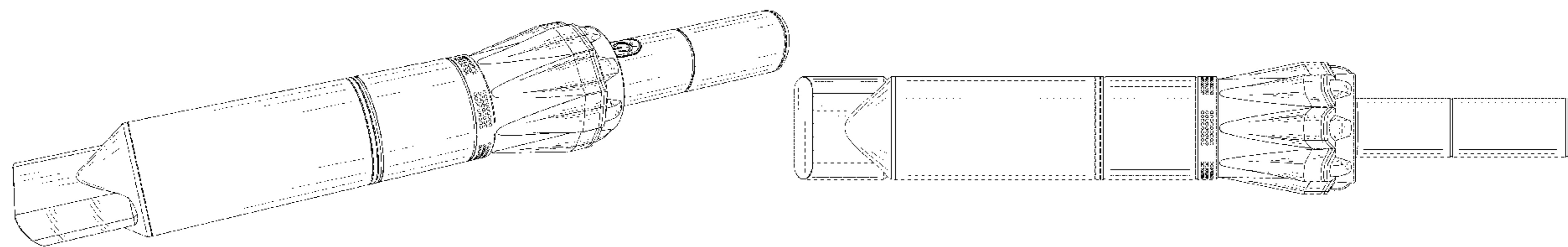
(57) **CLAIM**

The ornamental design for a vacuum cleaner, as shown and described.

DESCRIPTION

FIG. 1 is a perspective view of a vacuum cleaner showing my new design;
FIG. 2 is a bottom plan view thereof
FIG. 3 is a top plan view thereof
FIG. 4 is a front elevational view thereof;
FIG. 5 is a rear elevational view thereof;
FIG. 6 is a right side elevational view thereof; and,
FIG. 7 is a left side elevational view thereof.
The broken lines shown in the drawings depict portions of the vacuum cleaner that form no part of the claimed design.

1 Claim, 6 Drawing Sheets



(56)

References Cited

U.S. PATENT DOCUMENTS

2019/0328188 A1* 10/2019 Conrad A47L 9/1608

OTHER PUBLICATIONS

Handheld Vacuum Cleaner Cellay, available in Amazon.co.uk, date first available Apr. 1, 2021 [online], [site visited May 17, 2021], Available from the internet URL: https://www.amazon.co.uk/dp/B08TBWXCYP/ref=cm_sw_em_r_mt_imm_awdb_QS52PHPPCZGSEB26FE7P?_encoding=UTF8&psc=1 (Year: 2021).*

Moosoo H12K handheld cordless vacuum review, available in Youtube.com, announced Feb. 13, 2020 [online], [site visited May 17, 2021], Internet URL: <https://www.youtube.com/watch?v=B6ACv56HeN4> (Year: 2020).*

MooSoo K12, available in Youtube.com, announced Sep. 17, 2019 [online], [site visited May 18, 2021], Internet URL: <https://www.youtube.com/watch?v=7R7zJx7sVzU> (Year: 2019).*

* cited by examiner

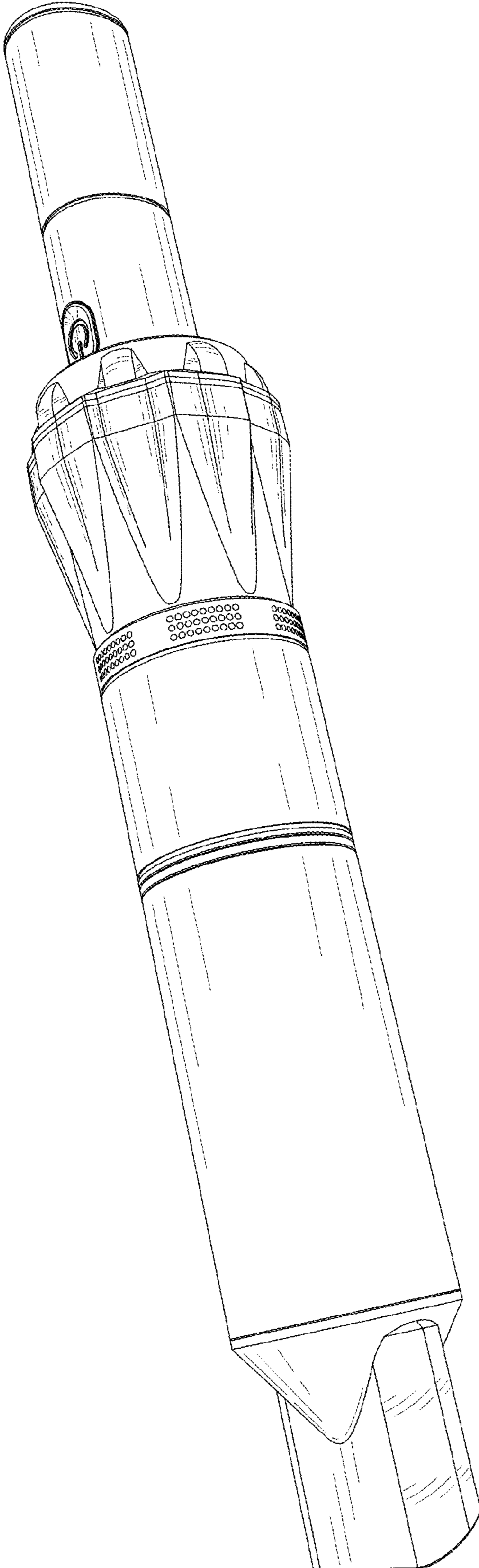


FIG. 1

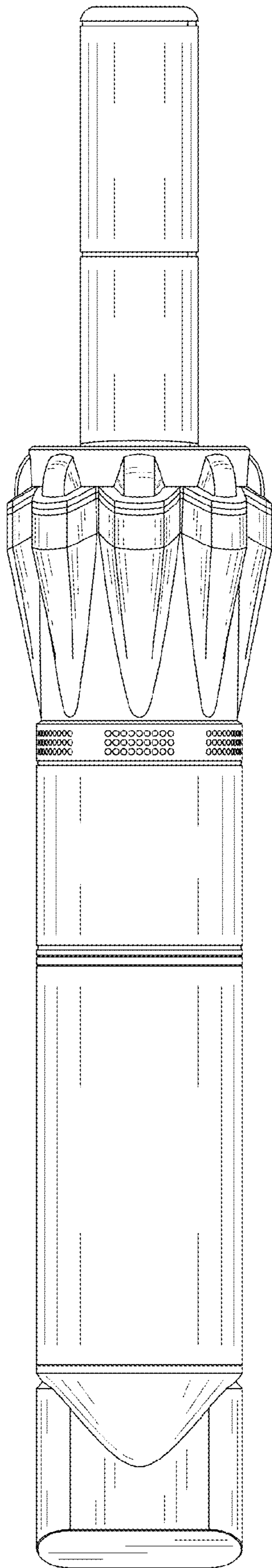


FIG. 2

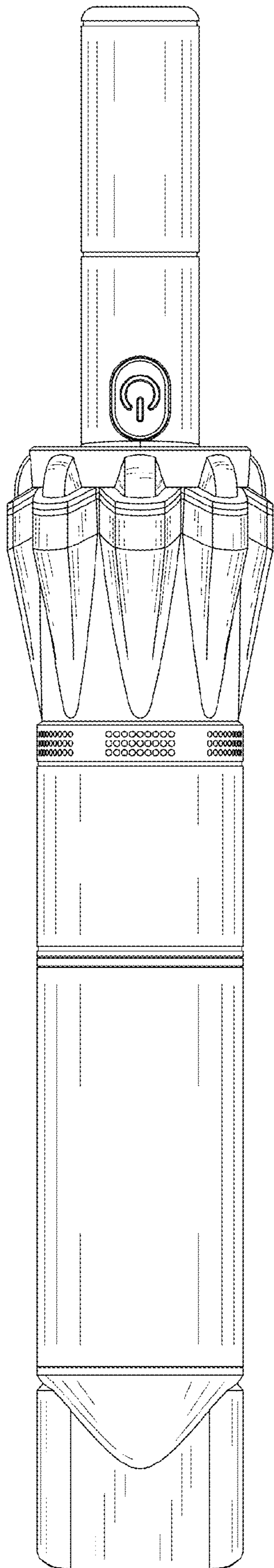


FIG. 3

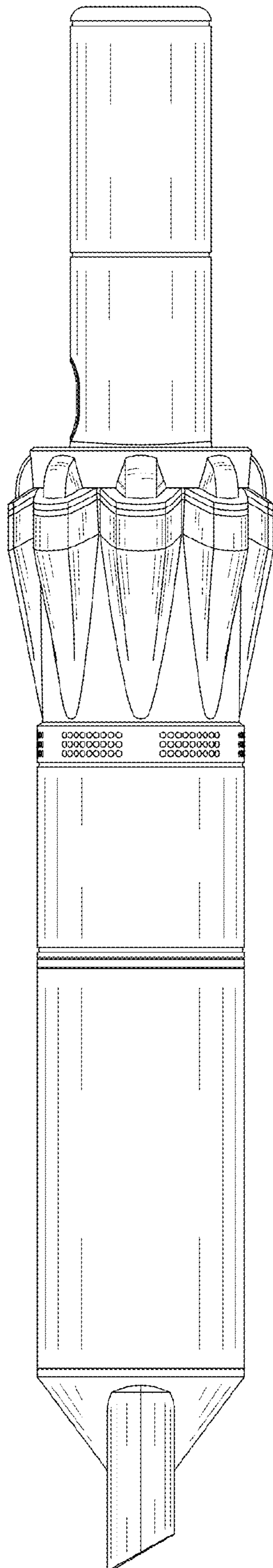


FIG. 4

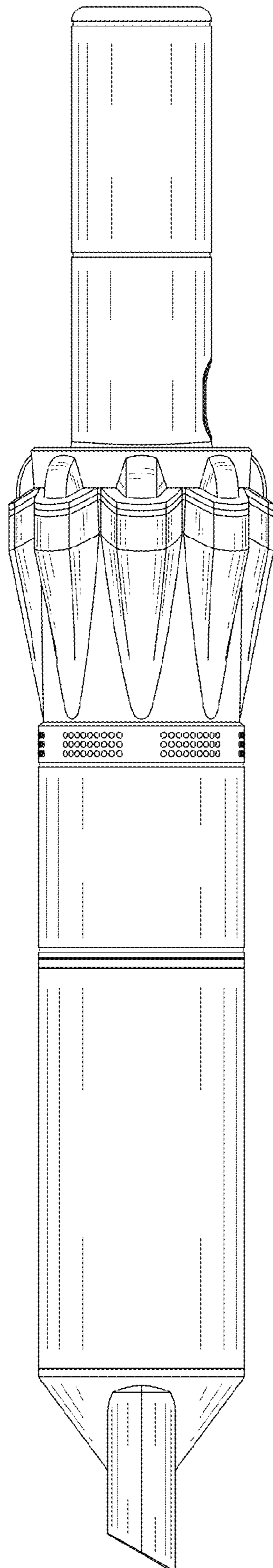


FIG. 5

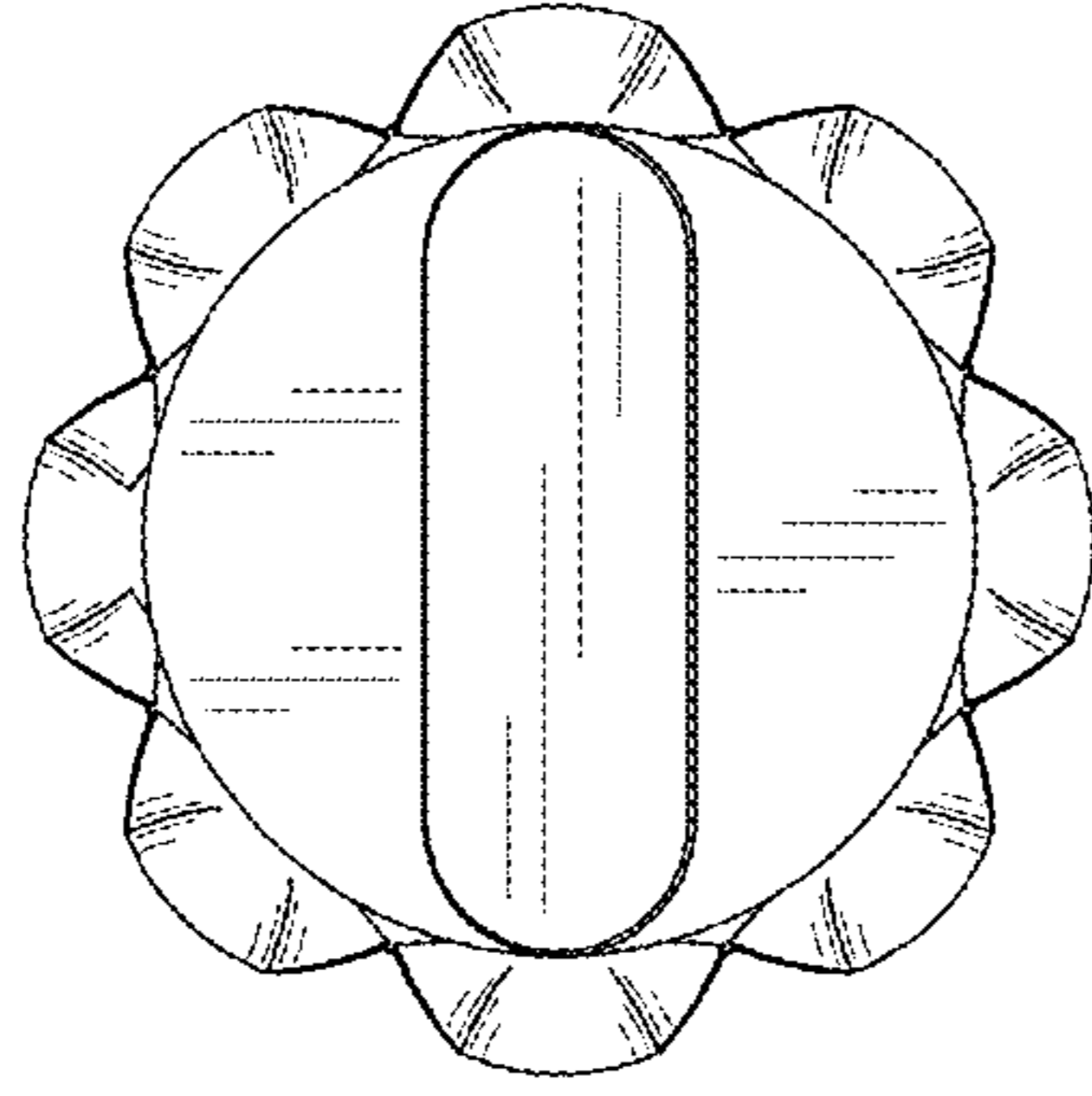


FIG. 7

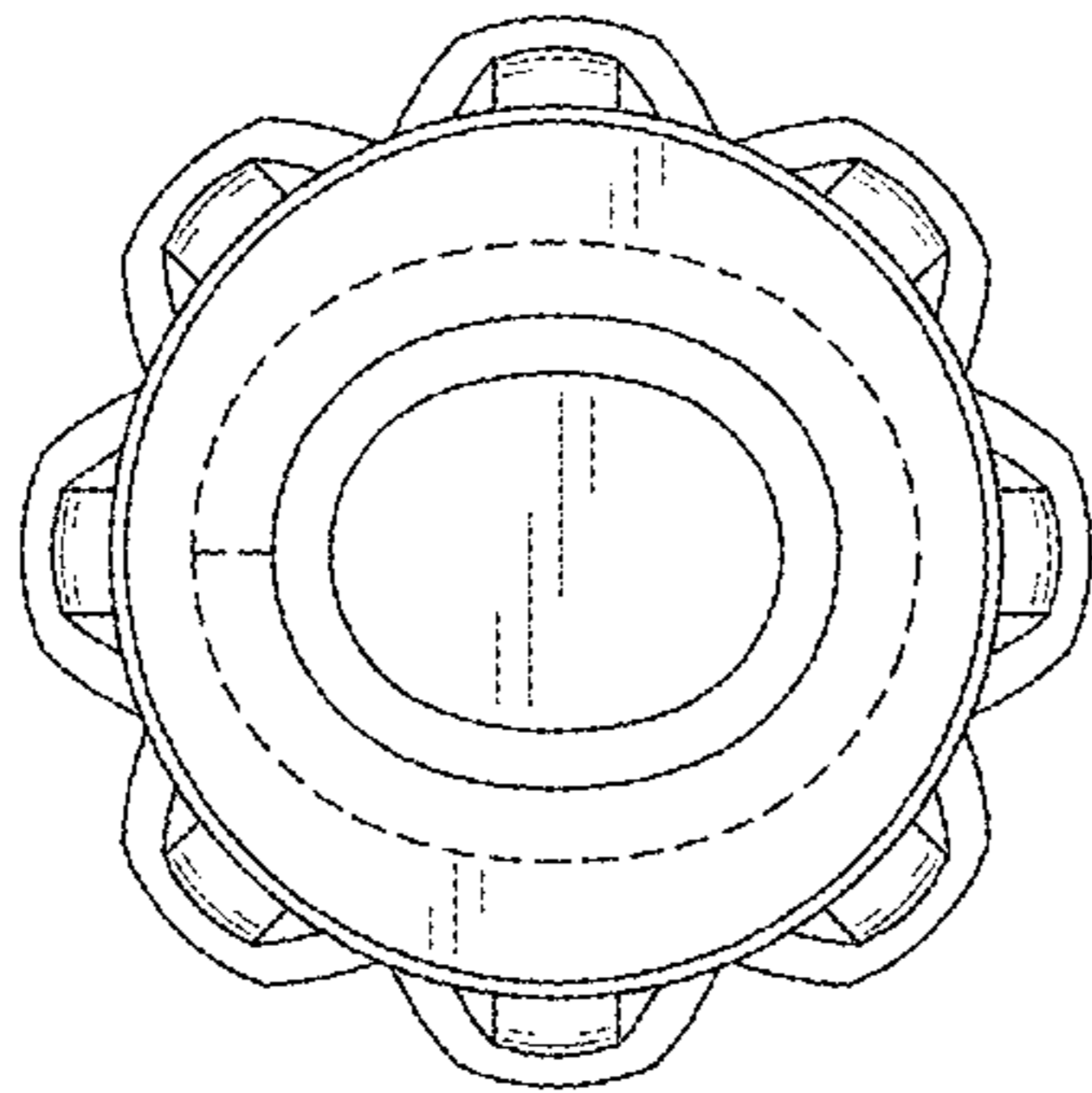


FIG. 6