



US00D937509S

(12) **United States Design Patent** (10) **Patent No.:** **US D937,509 S**
Walraven (45) **Date of Patent:** **** Nov. 30, 2021**

(54) **STEAMER**

(71) Applicant: **Hamilton Beach Brands, Inc.**, Glen Allen, VA (US)
(72) Inventor: **Patrick Walraven**, Richmond, VA (US)
(73) Assignee: **Hamilton Beach Brands, Inc.**, Glen Allen, VA (US)

(**) Term: **15 Years**

(21) Appl. No.: **29/682,090**

(22) Filed: **Mar. 1, 2019**

(51) **LOC (13) Cl.** **15-05**

(52) **U.S. Cl.**
USPC **D32/17**

(58) **Field of Classification Search**
USPC D32/1, 15-16, 17, 18, 21, 22, 31-34, 68, D32/70, 71, 73; 38/1 R, 2, 12, 15, 17, 38/69, 74-74, 71.1, 77.9, 79, 88, 90
CPC . A47L 5/24; A47L 5/362; A47L 15/28; A47L 9/325; A47L 9/2857; A47L 9/1427; A47L 15/14; A47L 9/2884; A47L 9/1666; A47L 9/1683; A47L 9/1625; A47L 9/22; B01D 50/002; B01D 45/12; B01D 46/4254; B01D 46/10; D06F 87/00; D06F 75/30; D06F 75/12; D06F 75/20; D06F 73/00; D06F 59/02; D06F 59/08; A41L 5/24
See application file for complete search history.

(56) **References Cited**

U.S. PATENT DOCUMENTS

D651,774 S * 1/2012 Tobias D32/17
D663,909 S * 7/2012 Andreesen D32/17

D715,483 S * 10/2014 Ha D28/13
D733,376 S * 6/2015 Bennett D32/33
D758,011 S * 5/2016 Gammack D28/13
D760,973 S * 7/2016 Ventress D32/32
D760,976 S * 7/2016 Ventress D32/32
D788,978 S * 6/2017 Kim D28/13
D827,198 S * 8/2018 Abdul D28/13
D854,766 S * 7/2019 Choi D32/26
D866,067 S * 11/2019 Thompson D28/13
D868,406 S * 11/2019 Bond D32/32
D925,151 S * 7/2021 Park D32/70
2016/0053430 A1* 2/2016 Chua D06F 75/30
68/5 A
2019/0323165 A1* 10/2019 Shin D06F 73/00

* cited by examiner

Primary Examiner — Manpreet S Matharu

Assistant Examiner — Yolanda Robinson

(74) *Attorney, Agent, or Firm* — Alexander D. Raring

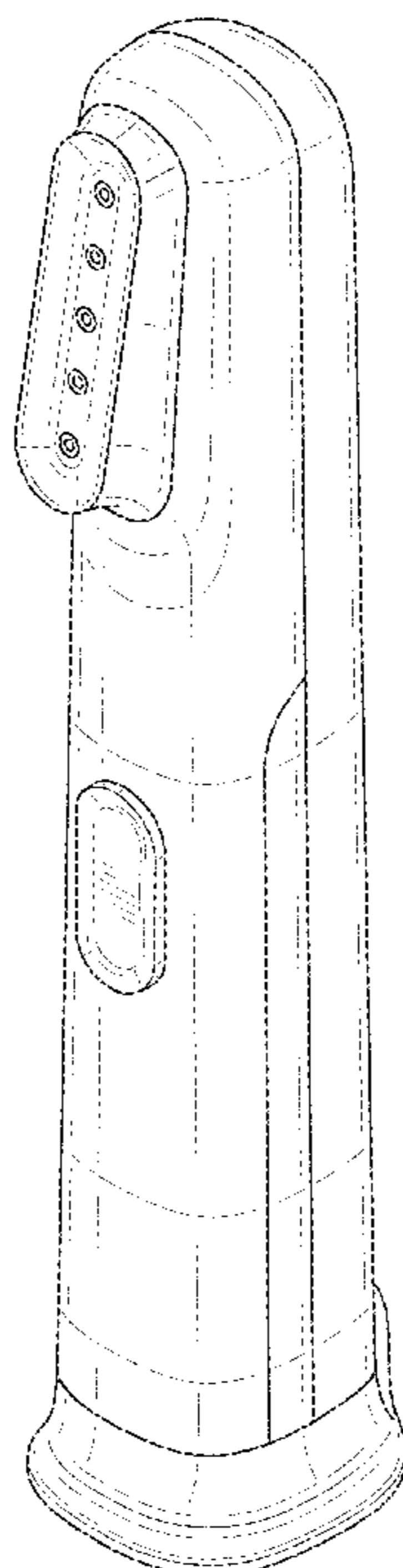
(57) **CLAIM**

The ornamental design for a steamer, as shown and described.

DESCRIPTION

FIG. 1 is a top, front and right side perspective view of a steamer showing the new design;
FIG. 2 a front view thereof;
FIG. 3 is a rear view thereof;
FIG. 4 is a right side view thereof;
FIG. 5 is a left side view thereof;
FIG. 6 is a top plan view thereof; and,
FIG. 7 is a bottom plan view thereof.
The broken lines shown in the steamer are for portions that forms no part of the claimed design.

1 Claim, 7 Drawing Sheets



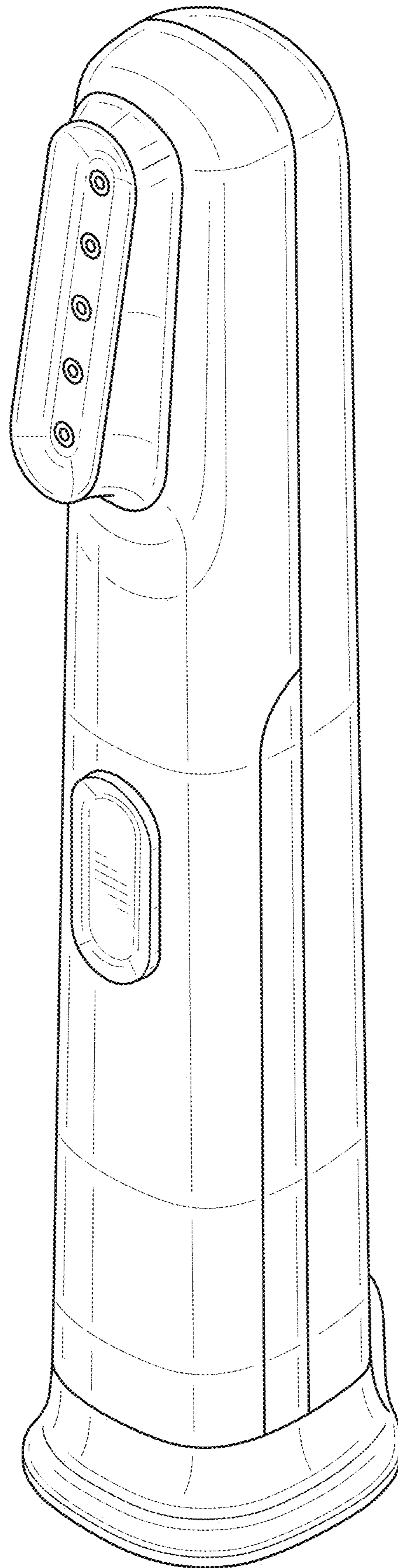


FIG. 1

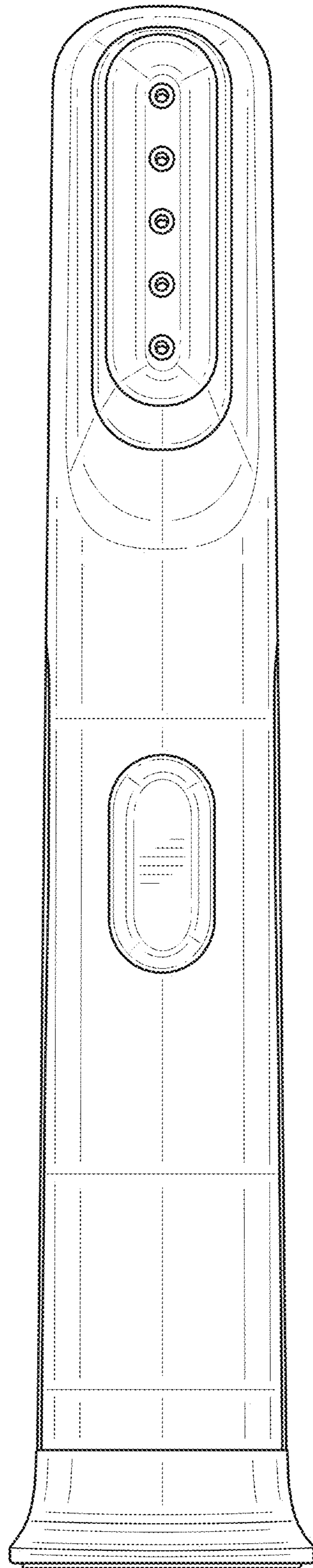


FIG. 2

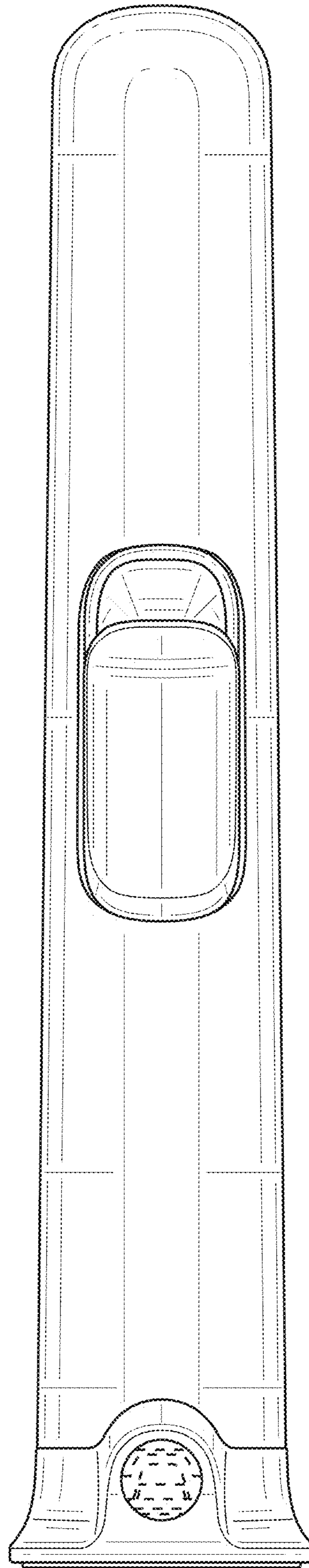


FIG. 3

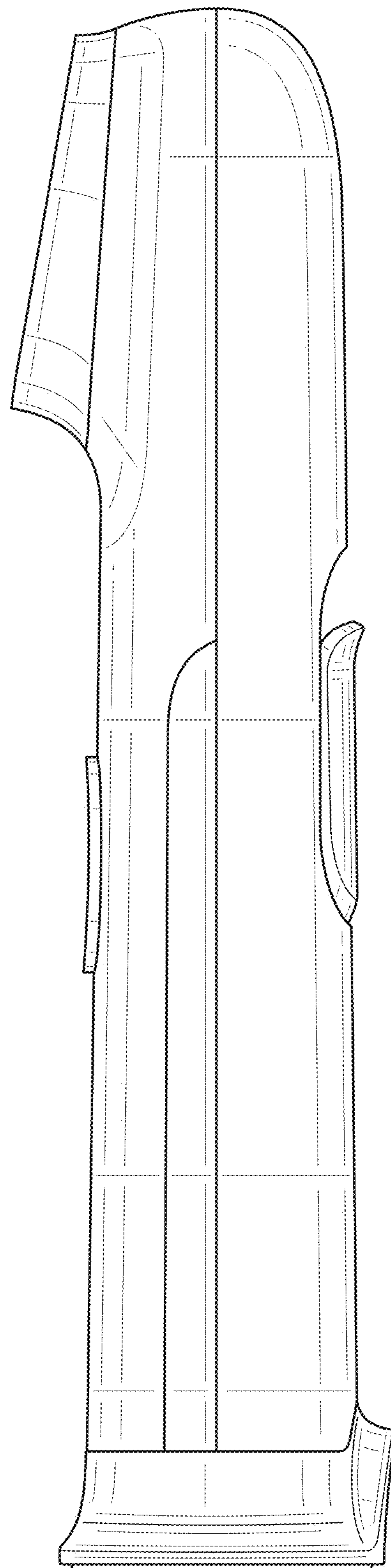


FIG. 4

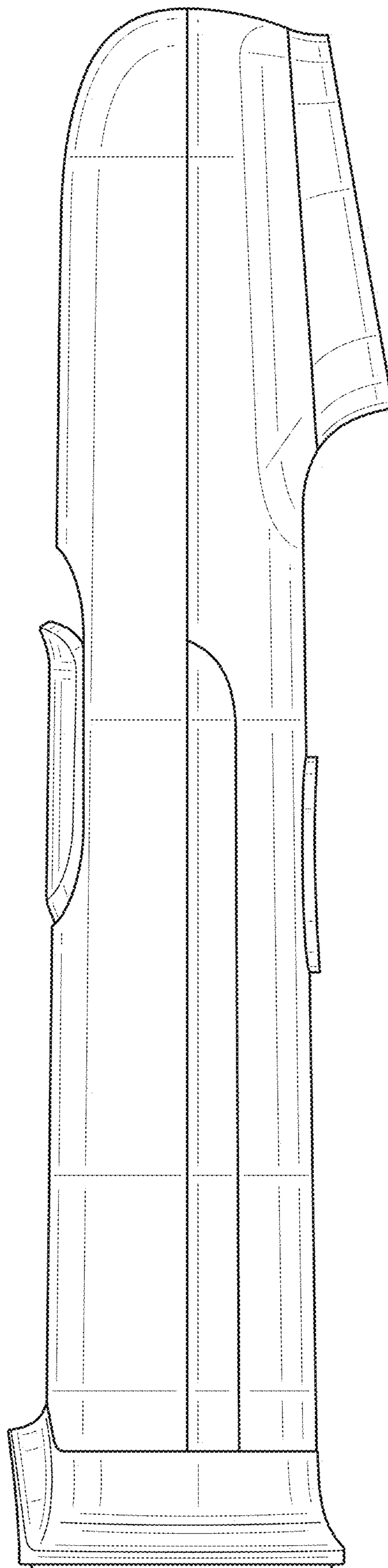


FIG. 5

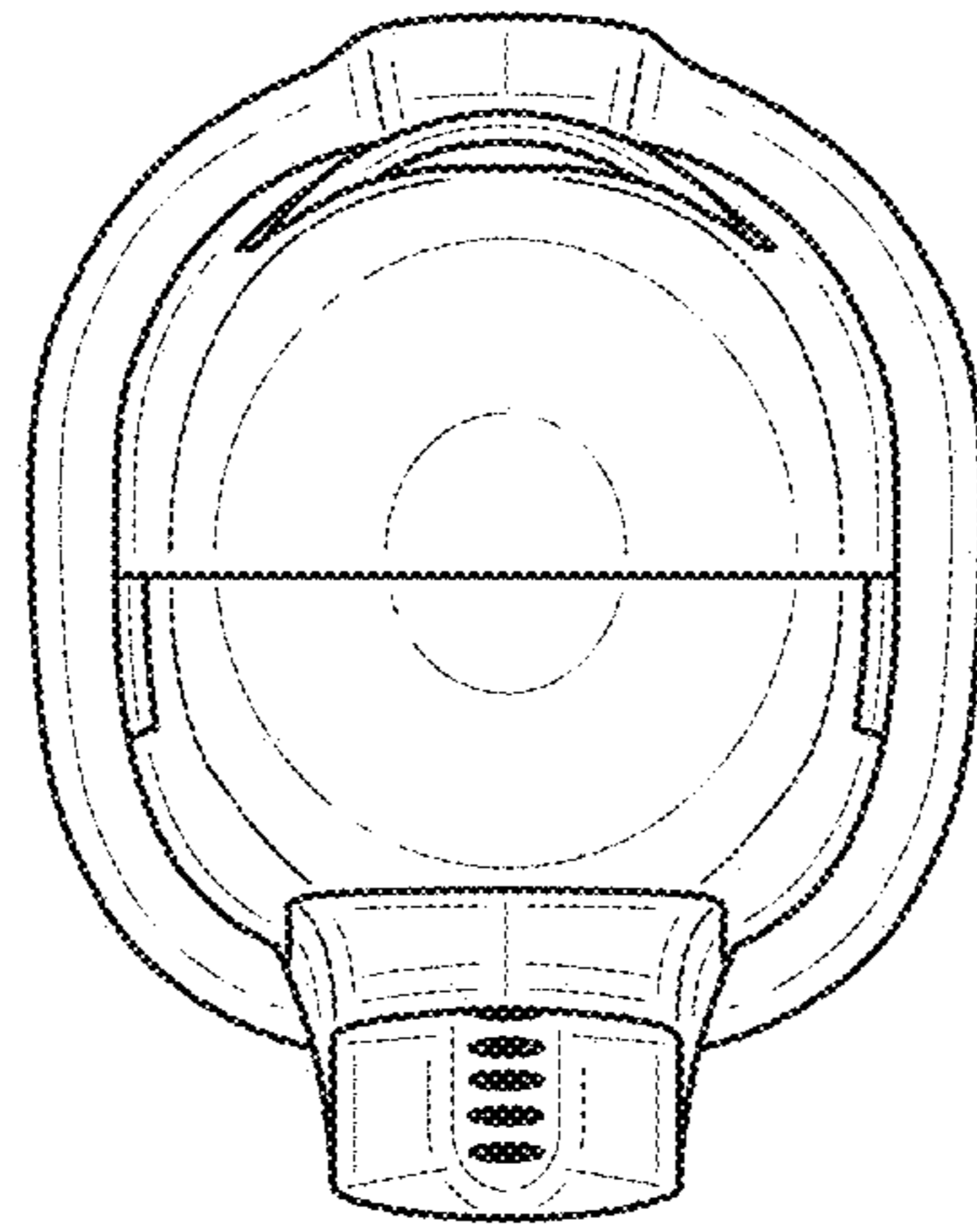


FIG. 6

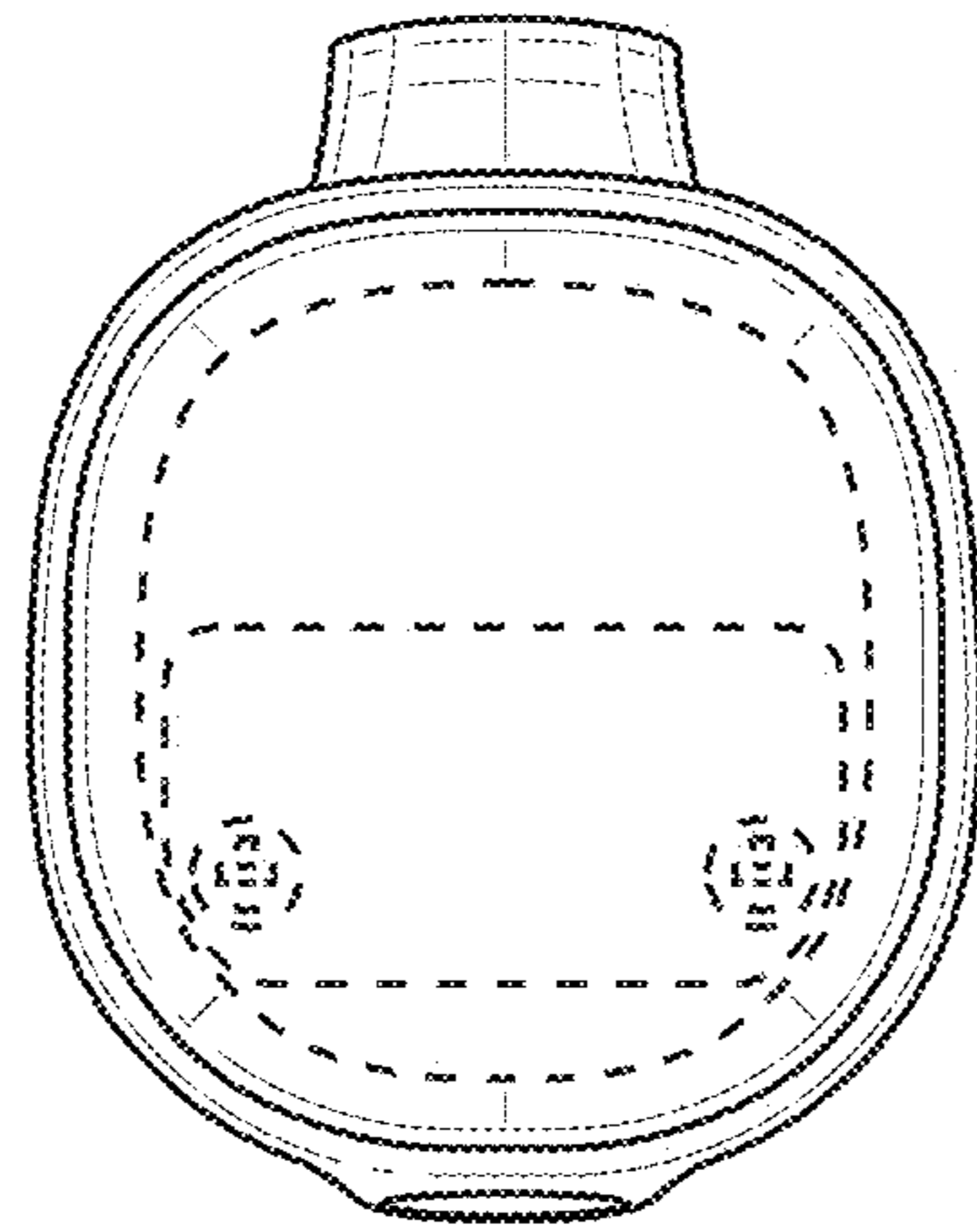


FIG. 7