



US00D937508S

(12) **United States Design Patent** (10) **Patent No.:** **US D937,508 S**
Alexander (45) **Date of Patent:** **** Nov. 30, 2021**

(54) **PRESSURE WASHER**
(71) Applicant: **FNA Group, Inc.**, Pleasant Prairie, WI (US)
(72) Inventor: **Gus Alexander**, Inverness, IL (US)
(73) Assignee: **FNA Group, Inc.**, Pleasant Prairie, WI (US)

D779,745 S * 2/2017 Weinberg D32/16
D779,746 S * 2/2017 Weinberg D32/16
D824,612 S * 7/2018 Alexander D32/16
D824,613 S * 7/2018 Alexander D32/16
D836,272 S * 12/2018 Janik D32/15
(Continued)

(**) Term: **15 Years**
(21) Appl. No.: **29/695,557**
(22) Filed: **Jun. 20, 2019**
(51) **LOC (13) Cl.** **15-05**
(52) **U.S. Cl.**
USPC **D32/15**
(58) **Field of Classification Search**
USPC D32/1-2, 5-6, 8-10, 15-17, 19, 25, 28,
D32/33, 35-36, 53; D7/354; D24/217;
D4/109, 114, 127, 134
CPC .. A61L 2/10; A61C 19/00; A47J 27/00; F26B
11/02; E05B 65/0007; A47L 15/0084;
D06F 39/00; D06F 34/28
See application file for complete search history.

FOREIGN PATENT DOCUMENTS

CN 305317387 * 9/2018

OTHER PUBLICATIONS

Homedit sote Simpson Pressure Washer reviews, Internet Waybak Machine date Feb. 26, 2021, <https://www.homedit.com/simpson-pressure-washer/>, site visited Mar. 27, 2021.*

(Continued)

Primary Examiner — John R Yeh
(74) *Attorney, Agent, or Firm* — Steven E. Jedlinski;
Jeffrey T. Placker; Holland & Knight LLP

(57) **CLAIM**

The ornamental design for a pressure washer, as shown and described.

DESCRIPTION

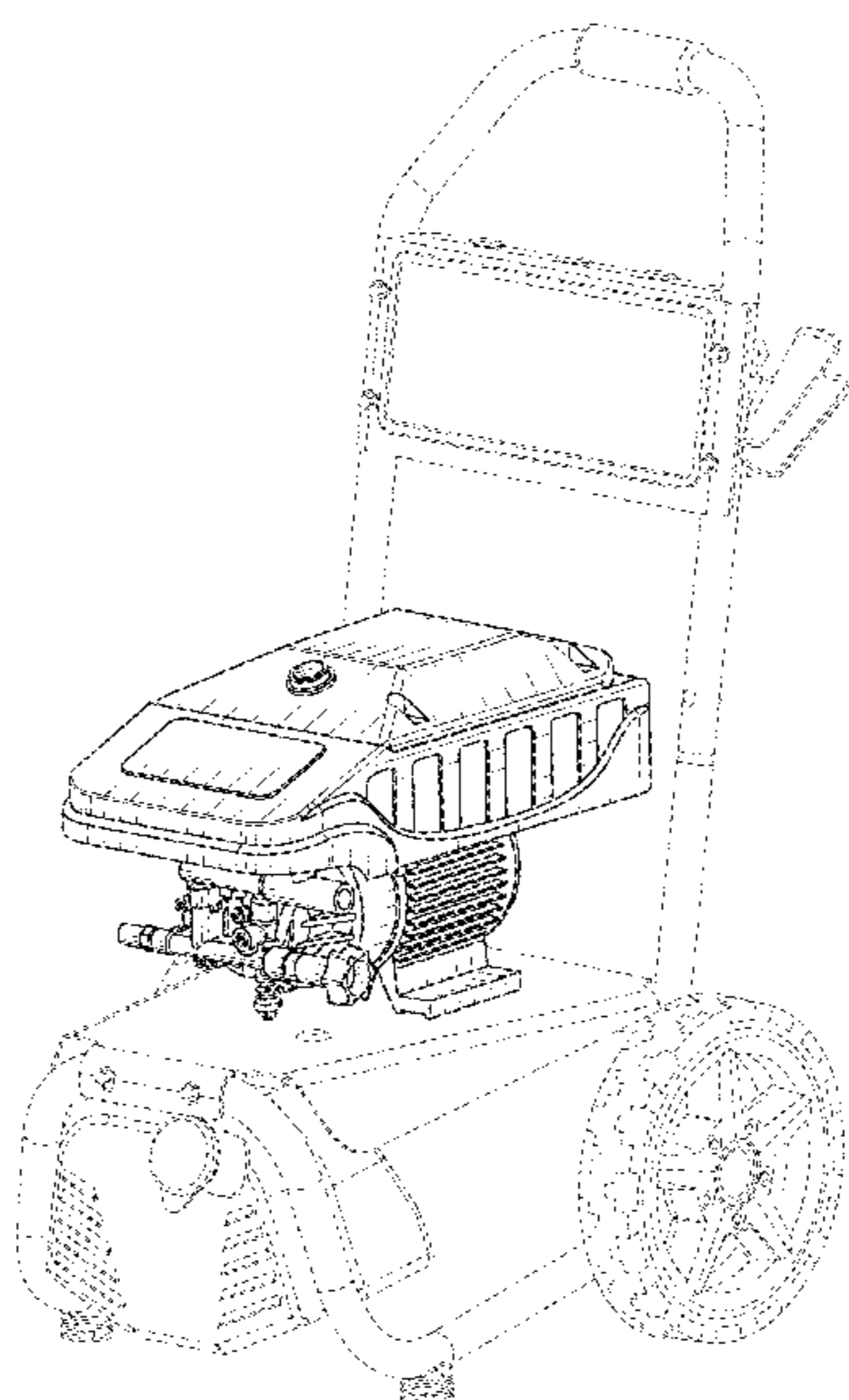
FIG. 1 is a top-front-right perspective view of a pressure washer;
FIG. 2 is a bottom-front-left perspective view thereof;
FIG. 3 is a top-rear-left perspective view thereof;
FIG. 4 is a front elevation view thereof;
FIG. 5 is a rear elevation view thereof;
FIG. 6 is left side elevation view thereof;
FIG. 7 is right side elevation view thereof;
FIG. 8 is a top plan view thereof; and,
FIG. 9 is a bottom plan view view thereof.
The broken lines are included for the purpose of illustrating portions of the pressure washer that form no part of the claimed design.

1 Claim, 9 Drawing Sheets

(56) **References Cited**

U.S. PATENT DOCUMENTS

D458,423 S * 6/2002 Rehkugler D32/1
6,750,556 B2 * 6/2004 Sodemann F02B 63/04
123/3
6,935,642 B1 * 8/2005 Craig B08B 3/026
280/47.24
D634,083 S * 3/2011 Fay D32/15
D639,001 S * 5/2011 Alexander D32/15
D648,082 S * 11/2011 Alexander D32/15
D665,545 S * 8/2012 Alexander D32/15
D703,888 S * 4/2014 Kahan D32/16
D732,764 S * 6/2015 Kennard D32/15
D733,373 S * 6/2015 Kahan D32/16
D778,011 S * 1/2017 Alexander D32/16



(56)

References Cited

U.S. PATENT DOCUMENTS

10,835,933 B2 * 11/2020 Luby F04B 17/06
2006/0102745 A1 * 5/2006 Dexter B05B 9/0855
239/146
2010/0282862 A1 * 11/2010 Gilpatrick B08B 3/026
239/88
2011/0081261 A1 * 4/2011 Klika B05B 9/002
417/364
2011/0315176 A1 * 12/2011 Gilpatrick B08B 3/026
134/57 R

OTHER PUBLICATIONS

Amazon.com : FNA Group MS60773 2800PSI Pressure Washer,
website 2021, <https://www.amazon.com/Group-MS60773-Pressure-Washer-800-PSI/dp/B07875HWX6>, site visited Mar. 27, 2021.*

* cited by examiner

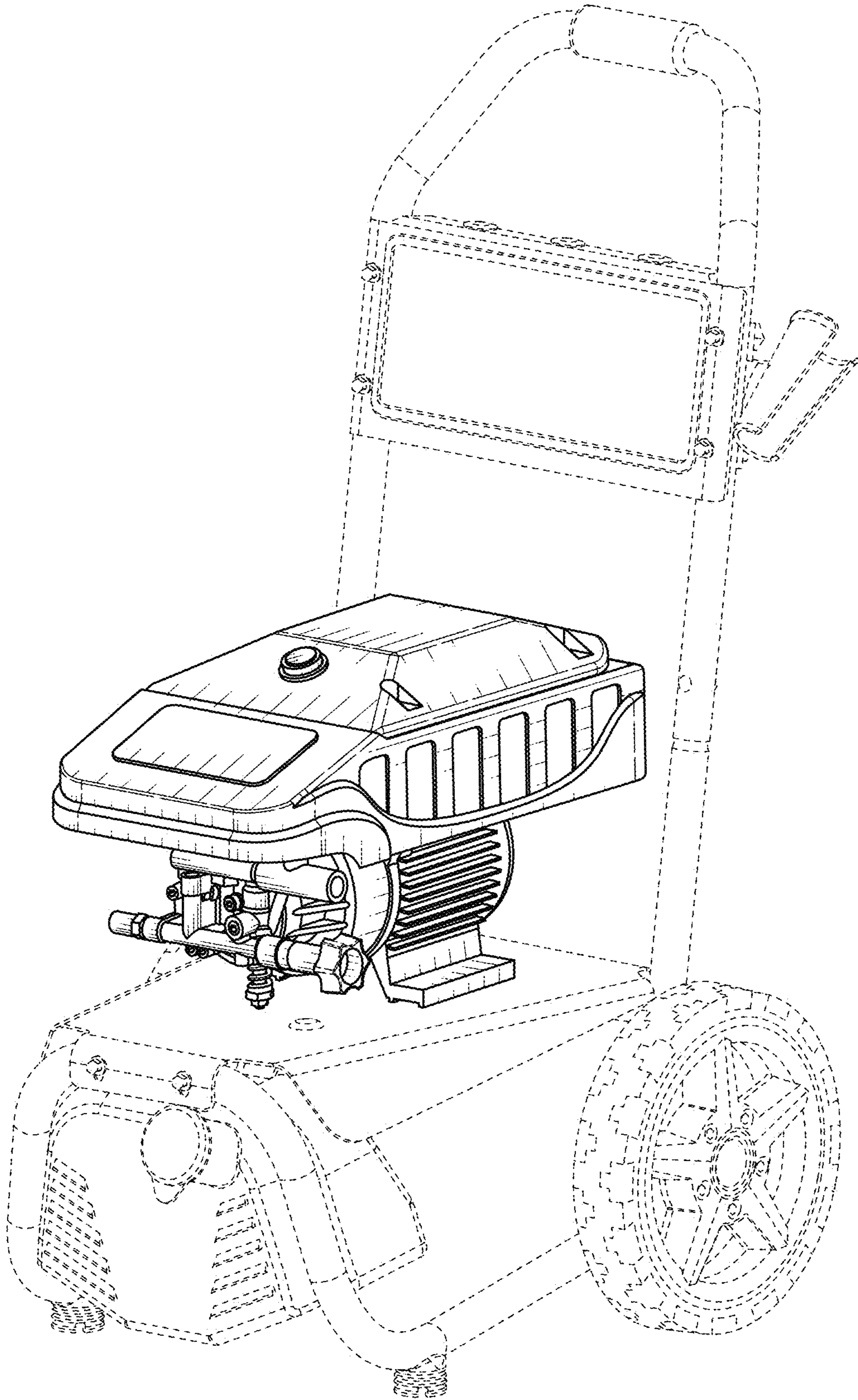


FIG. 1

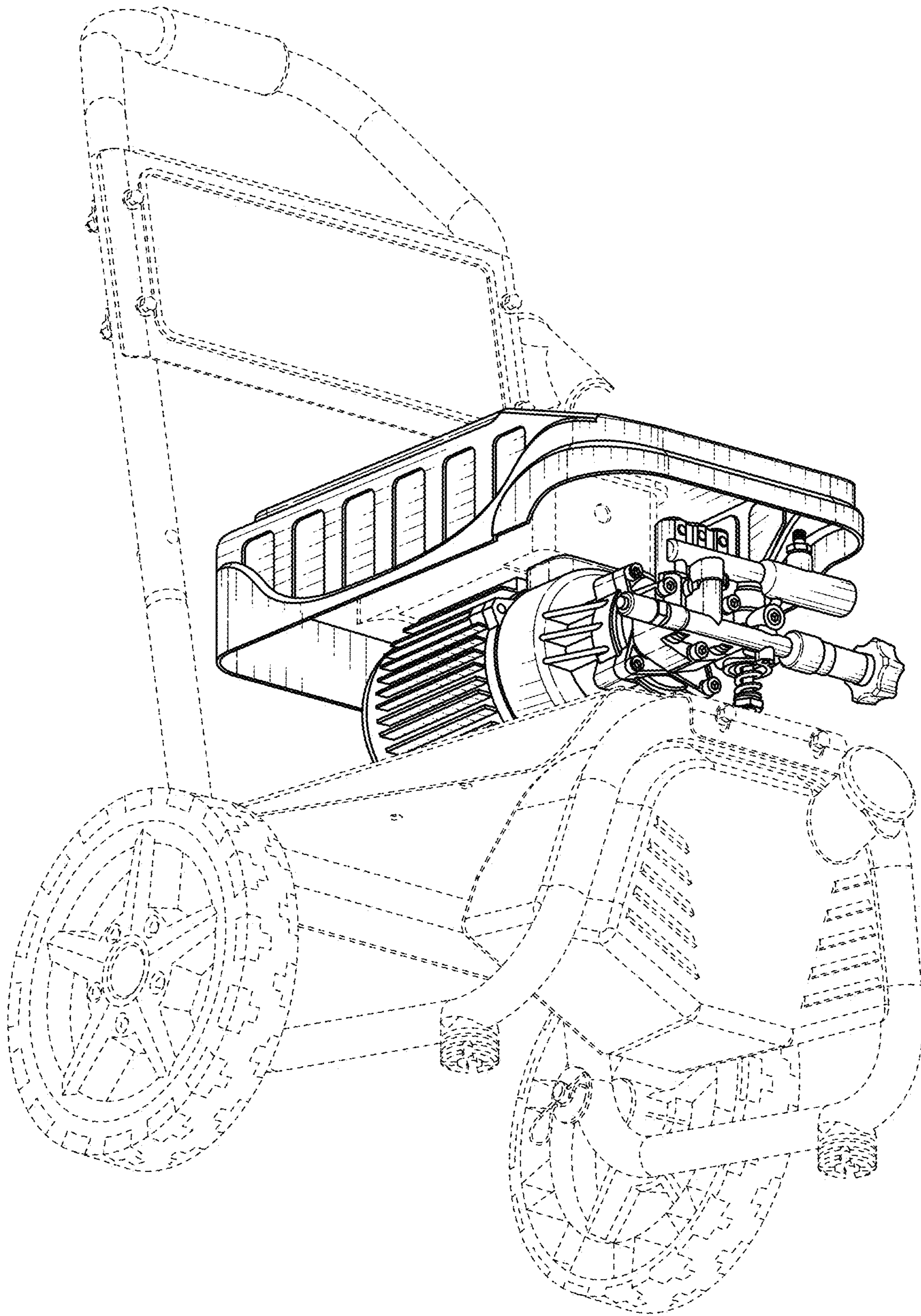


FIG. 2

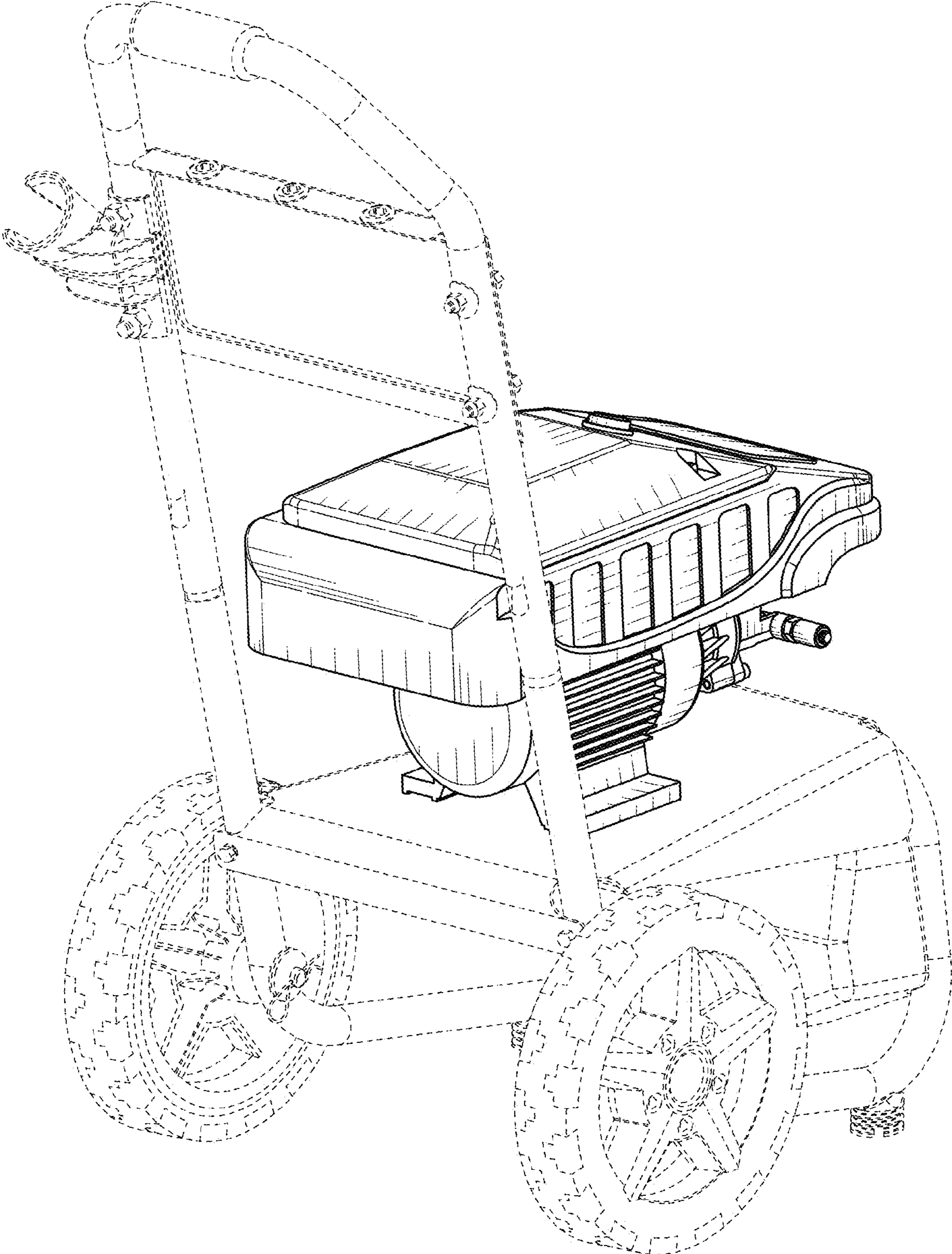


FIG. 3

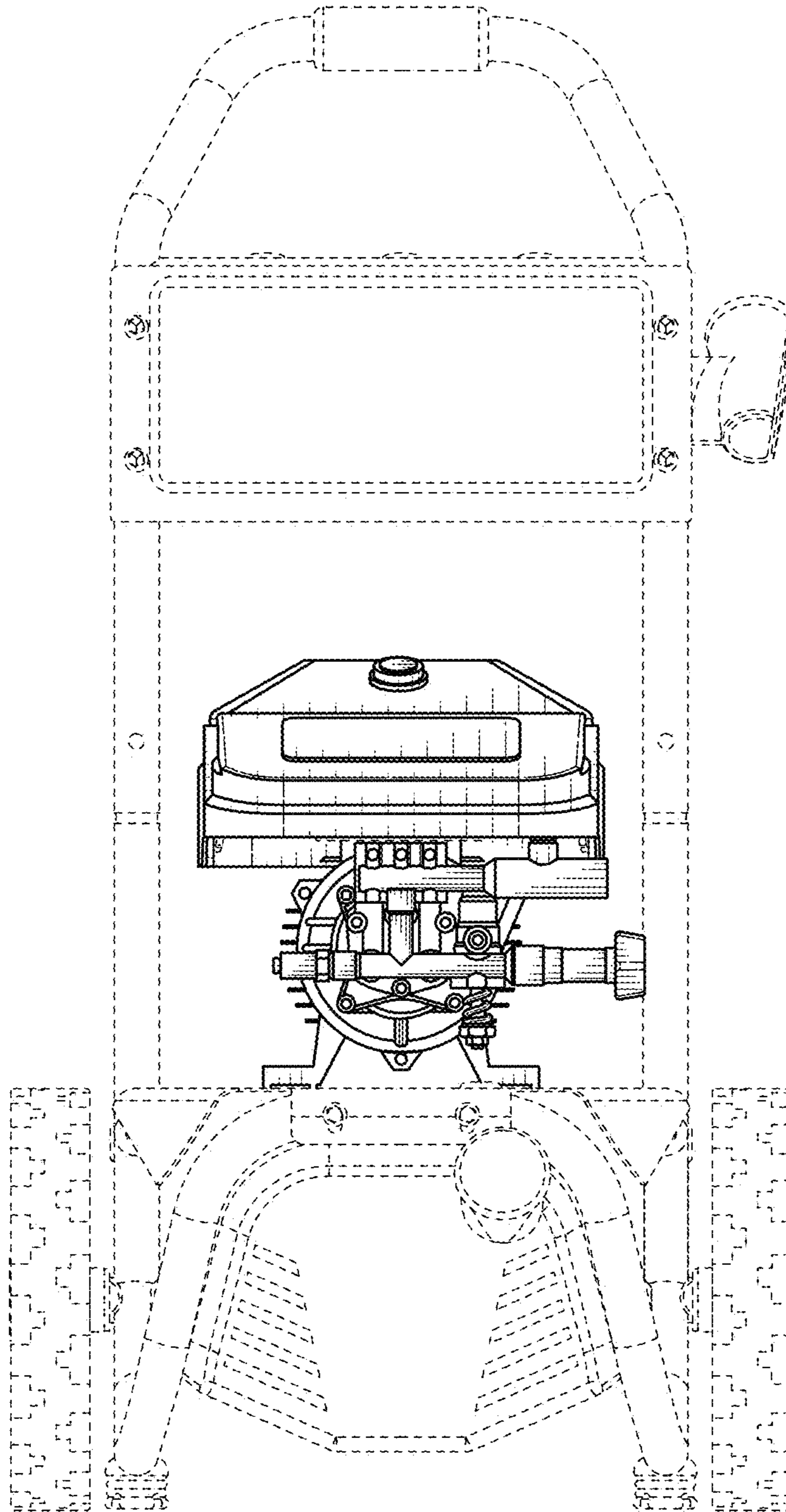


FIG. 4

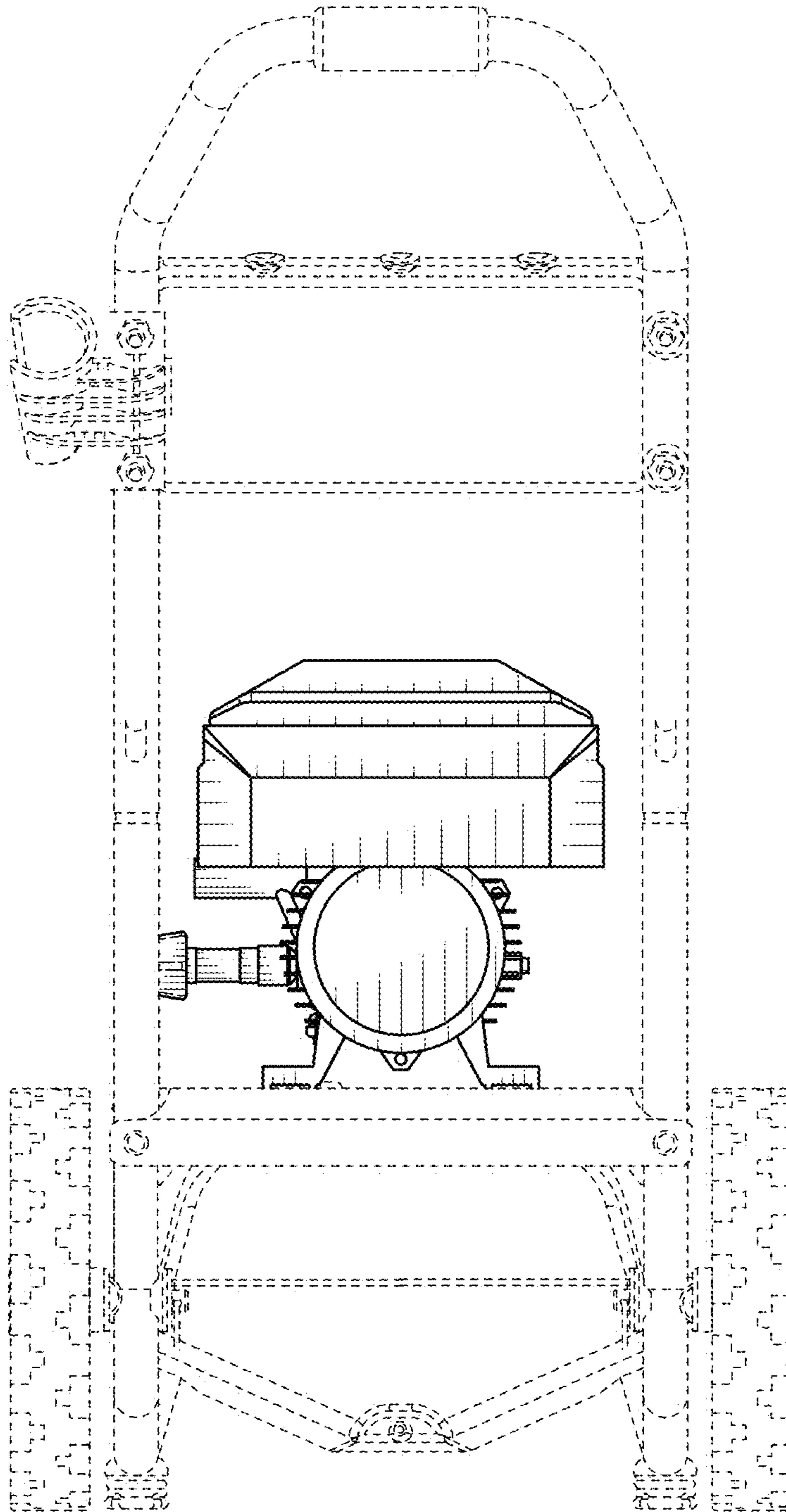


FIG. 5

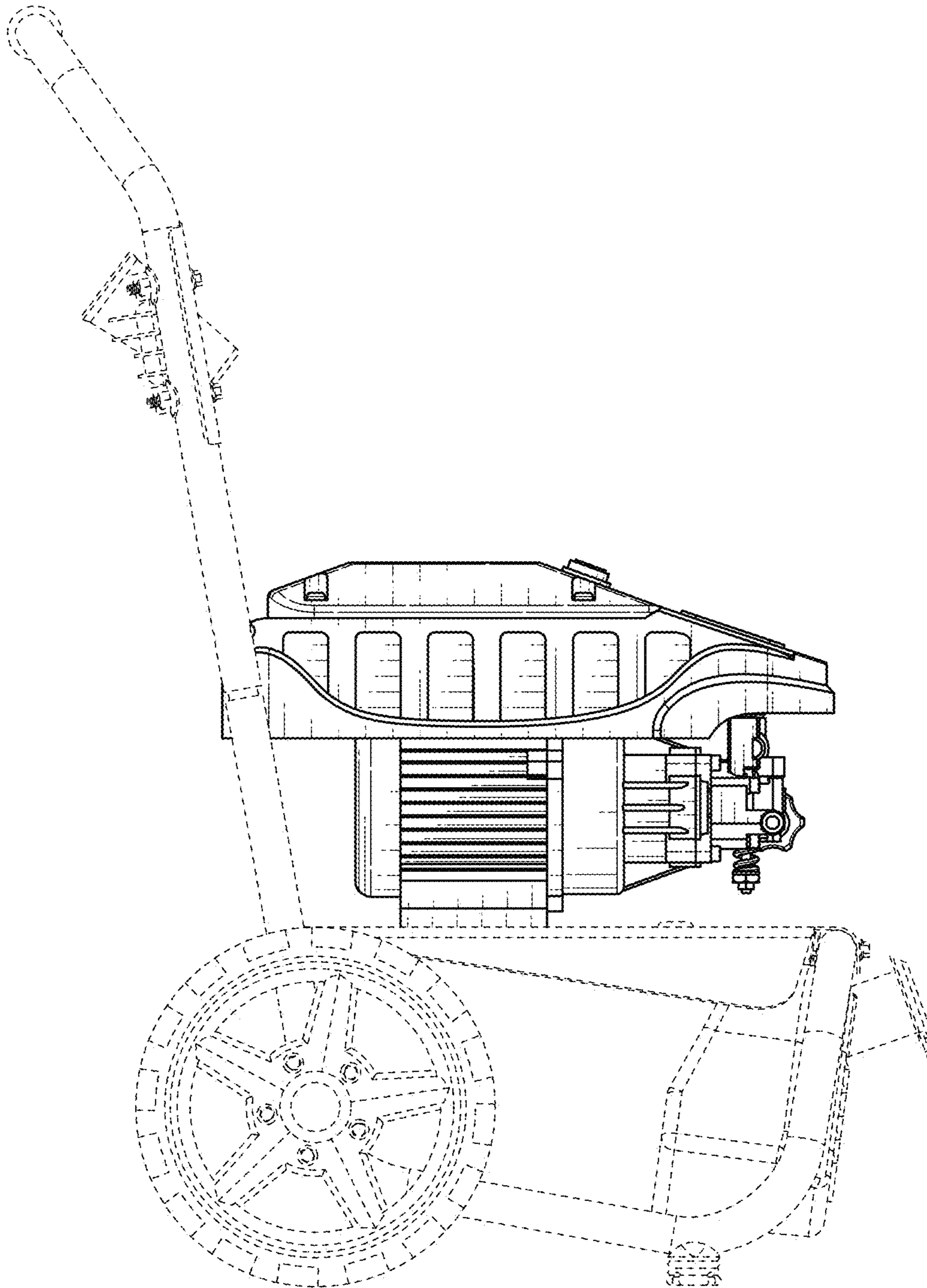


FIG. 6

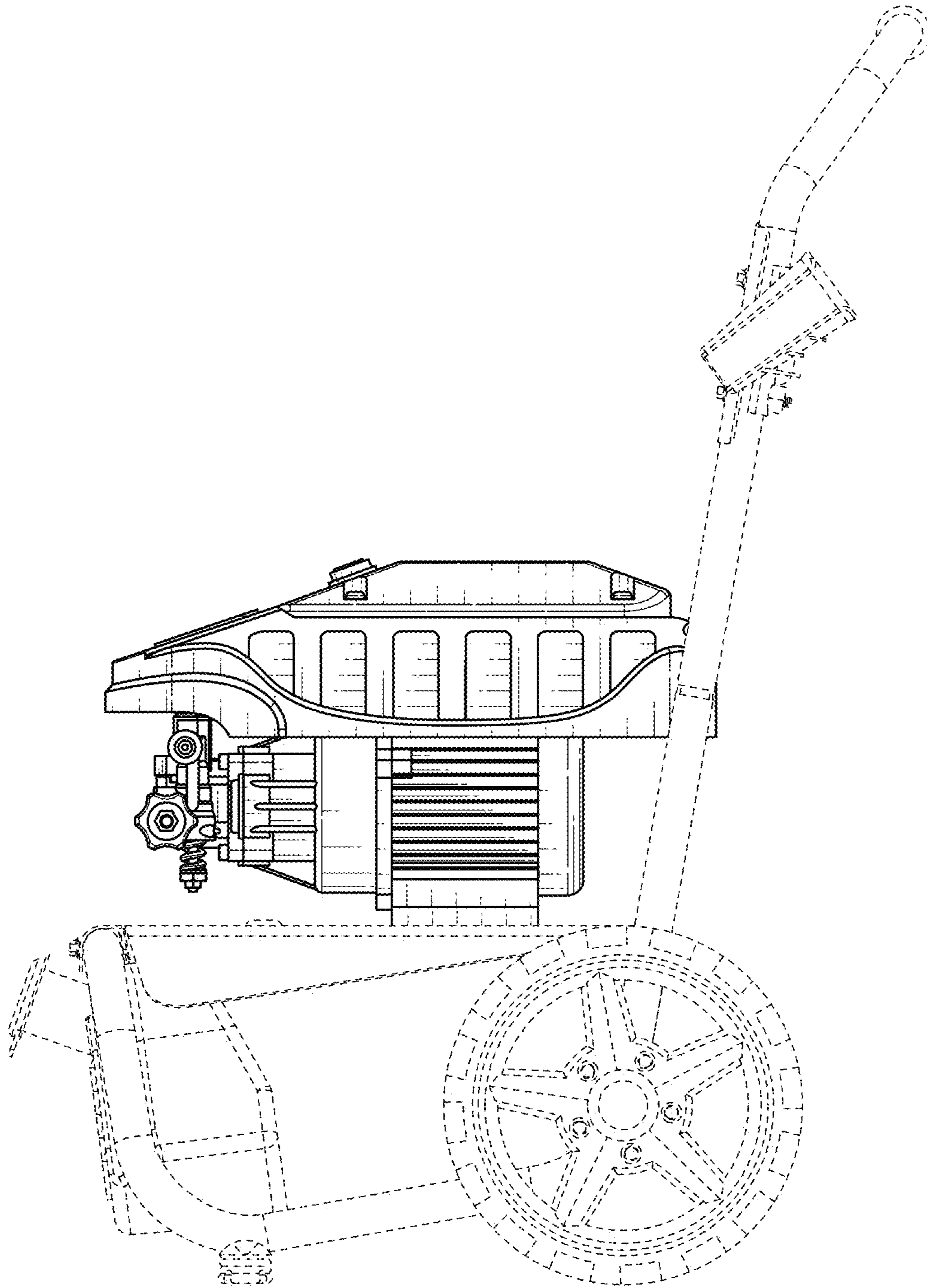


FIG. 7

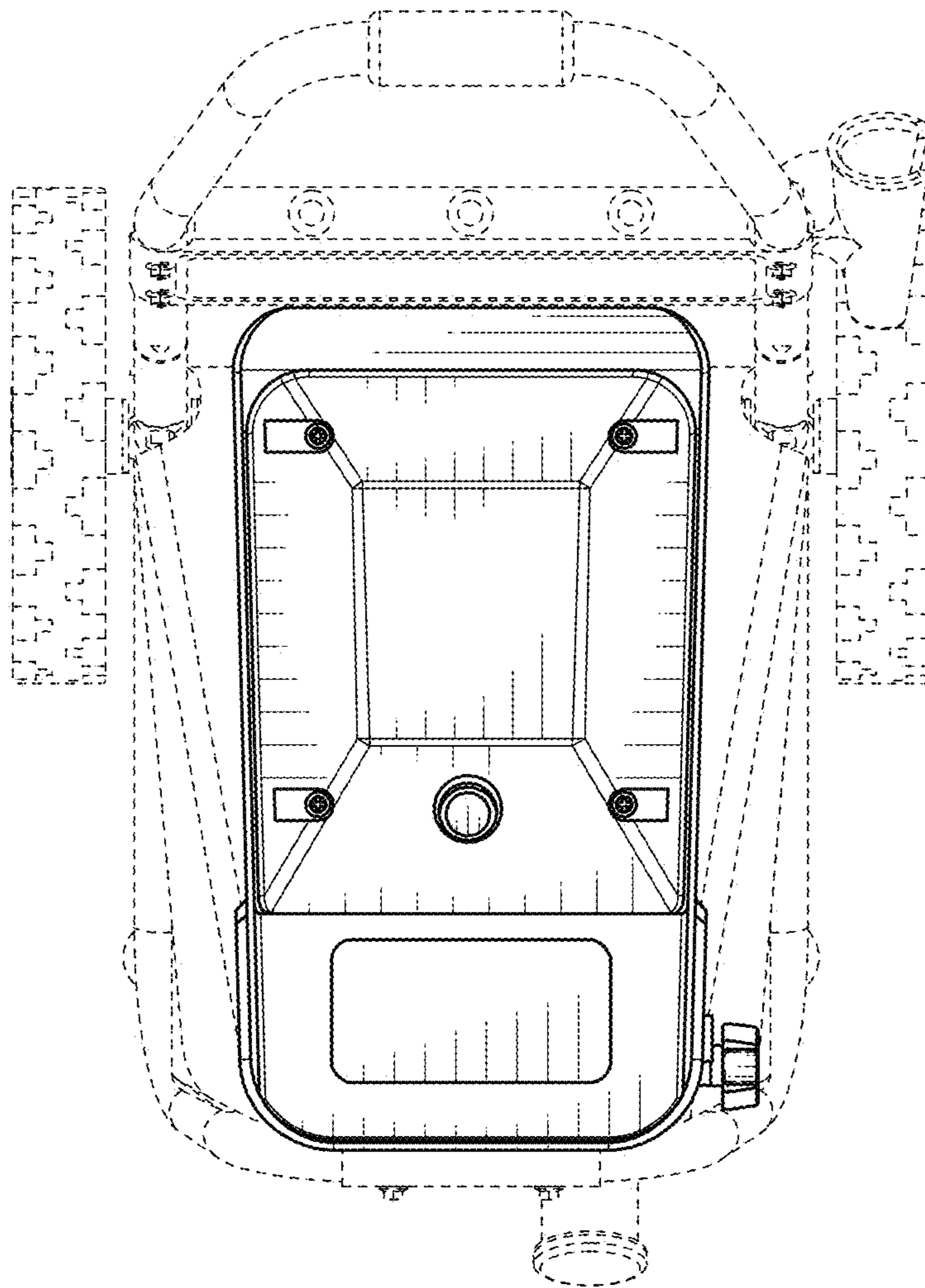


FIG. 8

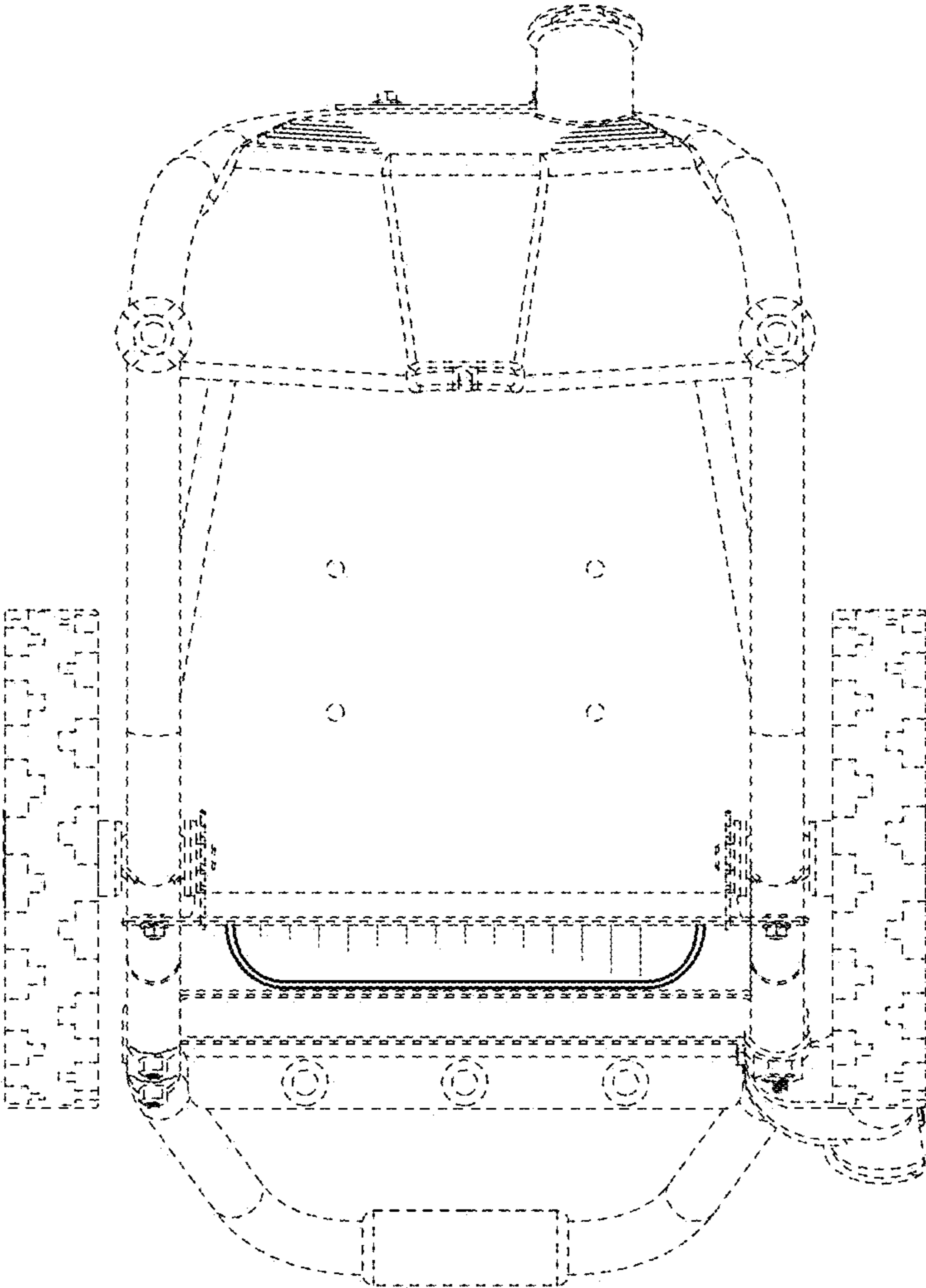


FIG. 9