



US00D937507S

(12) **United States Design Patent**  
**Lee et al.**

(10) **Patent No.:** **US D937,507 S**  
(45) **Date of Patent:** **\*\* Nov. 30, 2021**

(54) **CLOTHES CARE MACHINE**  
(71) Applicant: **Samsung Electronics Co., Ltd.**,  
Suwon-si (KR)  
(72) Inventors: **Jaejin Lee**, Seoul (KR); **Jinsook Park**,  
Seoul (KR)  
(73) Assignee: **Samsung Electronics Co., Ltd.**,  
Suwon-si (KR)

8,484,868 B2 \* 7/2013 Kim ..... D06F 58/12  
38/14  
8,505,340 B2 \* 8/2013 Kim ..... D06F 58/10  
68/5 C  
D732,769 S \* 6/2015 Chung ..... D32/25  
D732,770 S \* 6/2015 Choi ..... D32/25

(Continued)

*Primary Examiner* — Michelle E. Wilson  
(74) *Attorney, Agent, or Firm* — NSIP Law

(\*\*) Term: **15 Years**  
(21) Appl. No.: **29/769,805**  
(22) Filed: **Feb. 8, 2021**

(57) **CLAIM**

We claim the ornamental design for a clothes care machine,  
as shown and described.

(30) **Foreign Application Priority Data**

Nov. 25, 2020 (KR) ..... 30-2020-0057267

(51) **LOC (13) Cl.** ..... **15-05**  
(52) **U.S. Cl.**  
USPC ..... **D32/6**

(58) **Field of Classification Search**  
USPC ..... D32/1-3, 5-6, 10, 25  
CPC ..... D06F 58/20; D06F 73/02; D06F 58/10;  
D06F 58/12; D06F 58/203  
See application file for complete search history.

**DESCRIPTION**

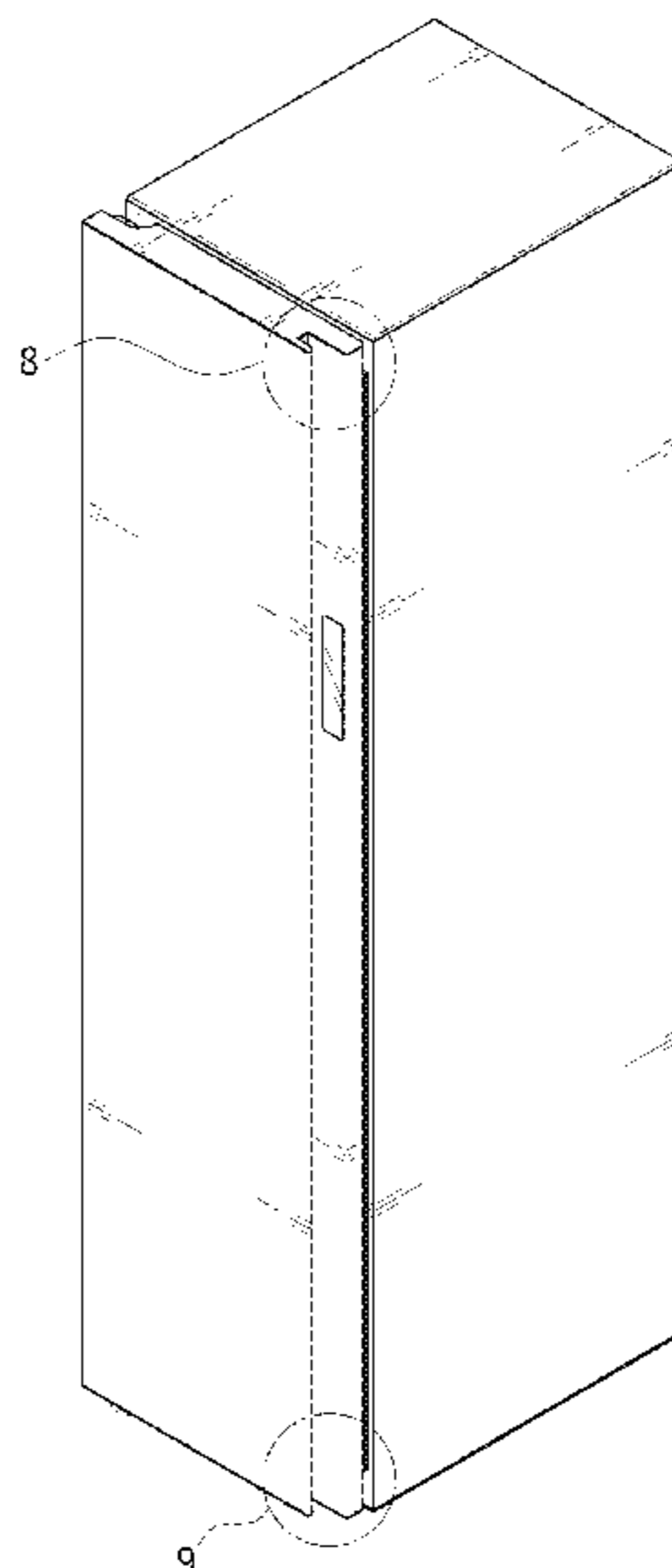
FIG. 1 is a front perspective view of a clothes care machine showing our new design;  
FIG. 2 is a front view thereof;  
FIG. 3 is a rear view thereof;  
FIG. 4 is a left-side view thereof;  
FIG. 5 is a right-side view thereof;  
FIG. 6 is a top view thereof;  
FIG. 7 is a bottom view thereof;  
FIG. 8 is an enlarged view of the encircled portion in FIG. 1; and  
FIG. 9 is an enlarged view of the encircled portion in FIG. 1.  
FIG. 10 is an enlarged view of the encircled portion in FIG. 4;  
FIG. 11 is an enlarged view of the encircled portion in FIG. 5; and,  
FIG. 12 is an enlarged view of the encircled portion in FIG. 6.  
The broken lines in the figures depict portions of the clothes care machine which form no part of the claimed design. The dot-dash broken lines encircling portions of the claimed design that are illustrated in enlargements form no part of the claimed design.

(56) **References Cited**

**U.S. PATENT DOCUMENTS**

D197,085 S \* 12/1963 Bequette ..... D32/8  
D532,563 S \* 11/2006 Kim ..... D32/6  
D640,430 S \* 6/2011 Jee ..... D32/6  
D643,165 S \* 8/2011 Song ..... D32/8  
8,037,626 B2 \* 10/2011 Moon ..... D06F 58/10  
38/14  
D663,495 S \* 7/2012 Song ..... D32/8  
8,215,133 B2 \* 7/2012 Kim ..... D06F 58/203  
68/5 C  
8,424,141 B2 \* 4/2013 Yoo ..... D06F 58/203  
8/149.3

**1 Claim, 12 Drawing Sheets**



(56)

**References Cited**

U.S. PATENT DOCUMENTS

D732,771	S *	6/2015	Chung	.....	D32/25
D732,772	S *	6/2015	Chung	.....	D32/25
D732,773	S *	6/2015	Chung	.....	D32/25
D732,774	S *	6/2015	Chung	.....	D32/25
D732,775	S *	6/2015	Chung	.....	D32/25
D743,127	S *	11/2015	Chung	.....	D32/25
D743,128	S *	11/2015	Chung	.....	D32/25
D743,129	S *	11/2015	Chung	.....	D32/25
D743,130	S *	11/2015	Choi	.....	D32/25
D743,652	S *	11/2015	Chung	.....	D32/25
D743,653	S *	11/2015	Chung	.....	D32/25
D743,654	S *	11/2015	Chung	.....	D32/25
D824,124	S *	7/2018	Lee	.....	D32/6
D827,236	S *	8/2018	Chung	.....	D32/25
D828,656	S *	9/2018	Chung	.....	D32/6
D836,271	S *	12/2018	Chung	.....	D32/6
D839,515	S *	1/2019	Chung	.....	D32/25
D897,058	S *	9/2020	Kim	.....	D32/6
2001/0037590	A1 *	11/2001	MacGregor	.....	D06F 73/02 38/3
2008/0136295	A1 *	6/2008	Aizpuru Borda	.....	D06F 58/10 312/31
2010/0058813	A1 *	3/2010	Moon	.....	D06F 73/02 68/6
2012/0240425	A1 *	9/2012	Park	.....	D06F 58/20 34/202

\* cited by examiner

FIG. 1

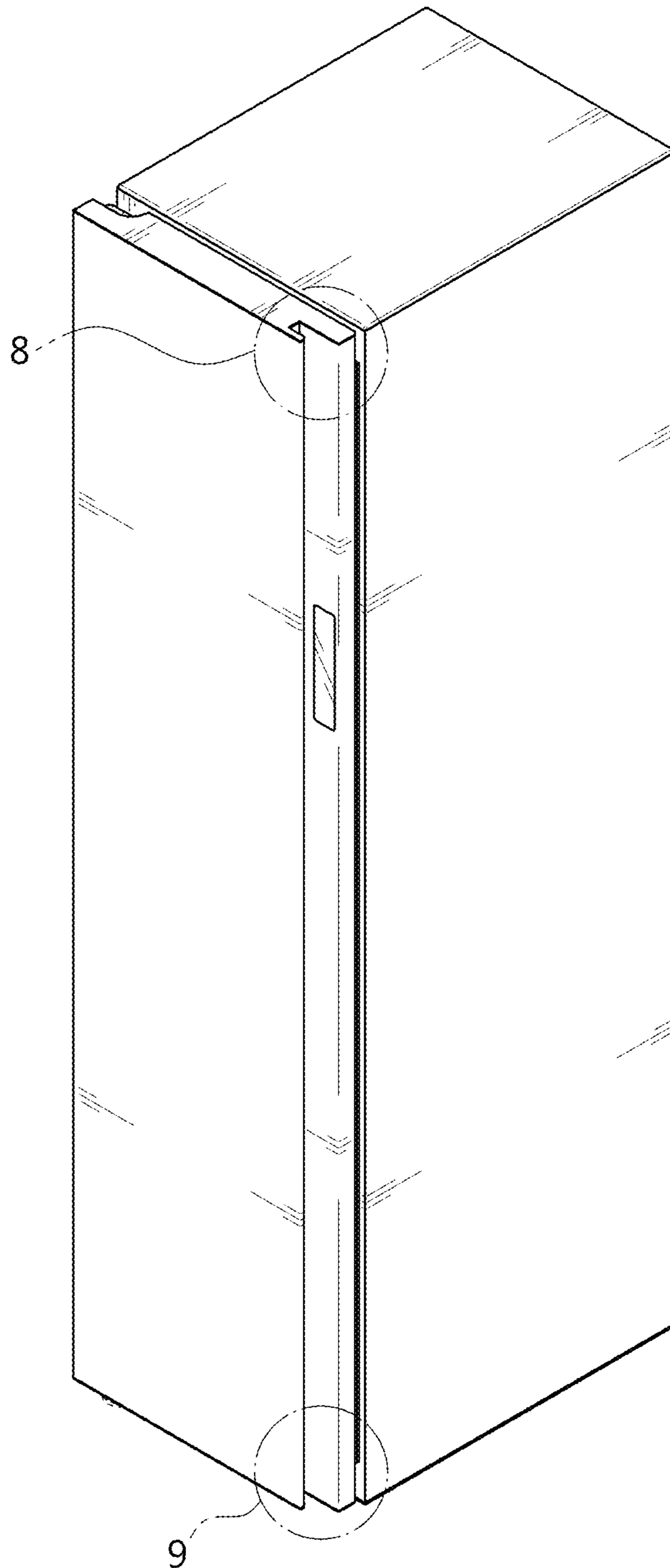


FIG. 2

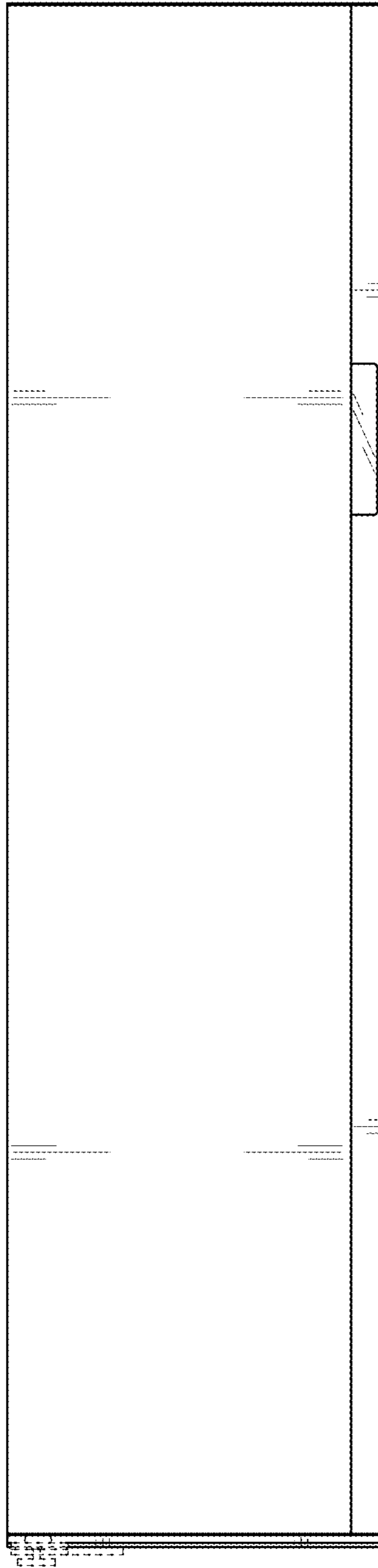


FIG. 3

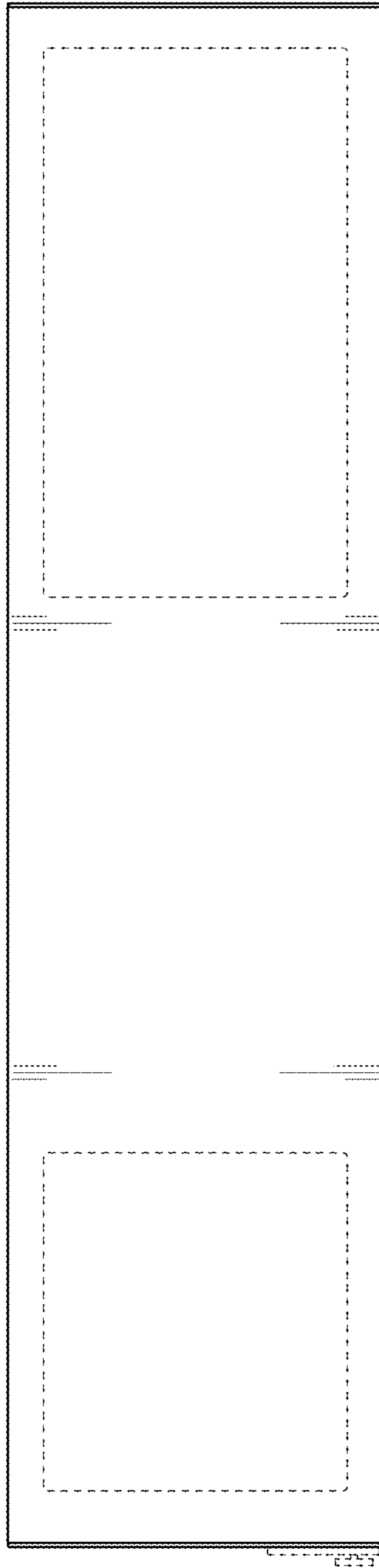


FIG. 4

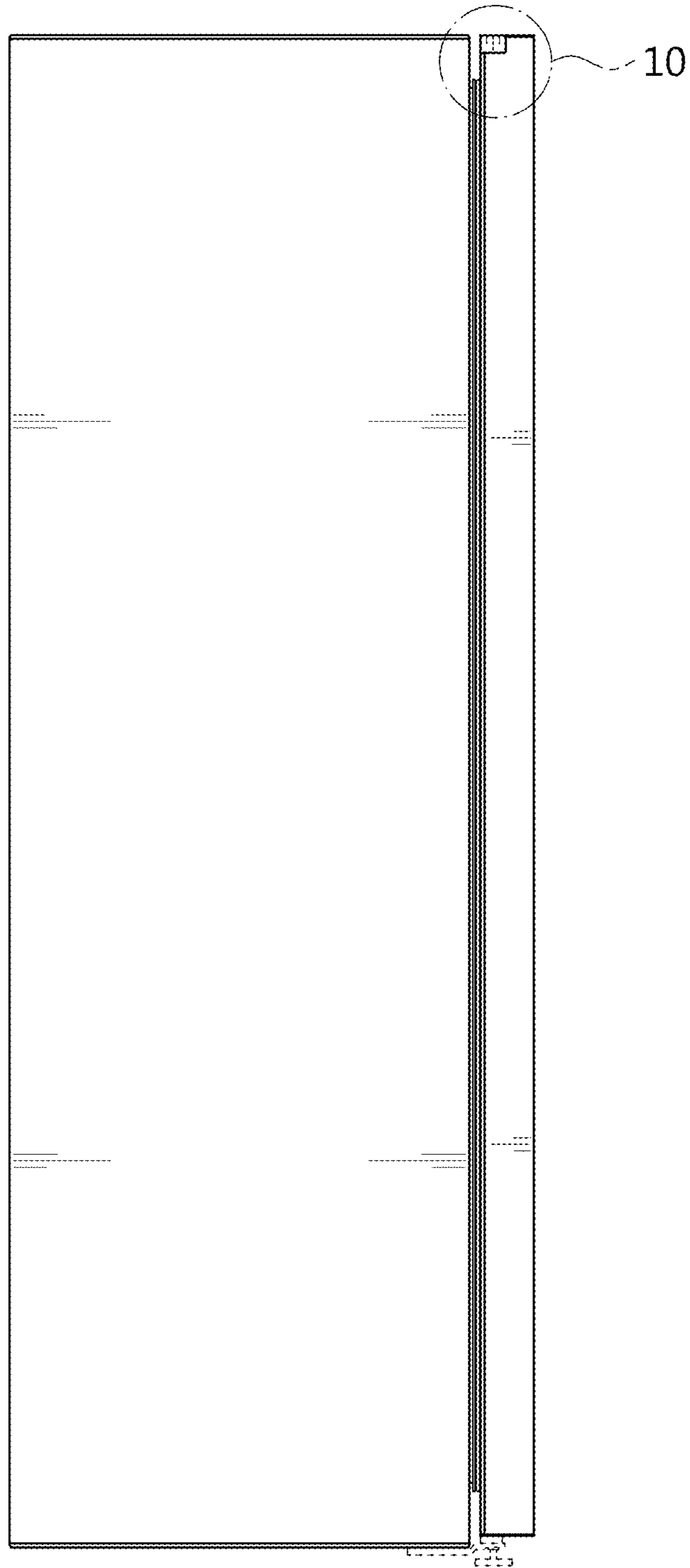


FIG. 5

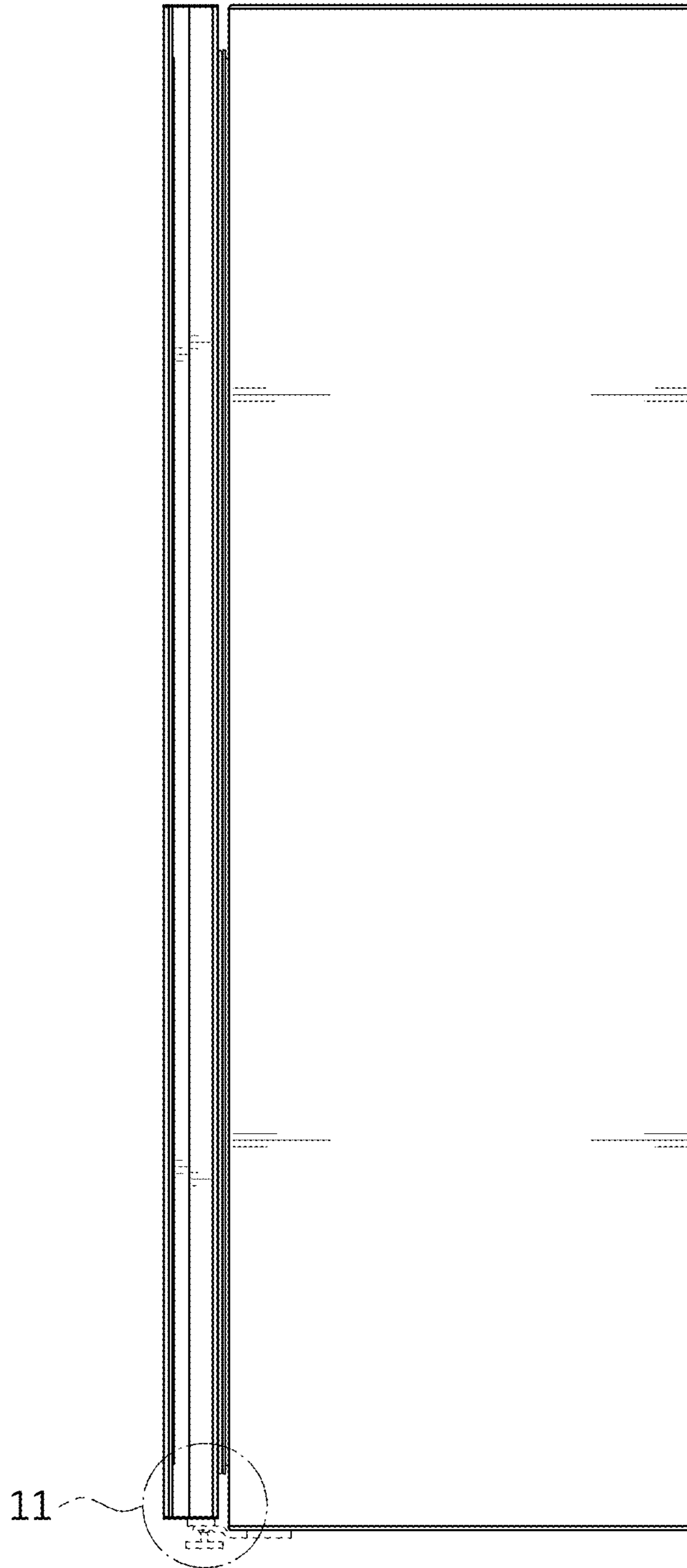


FIG. 6

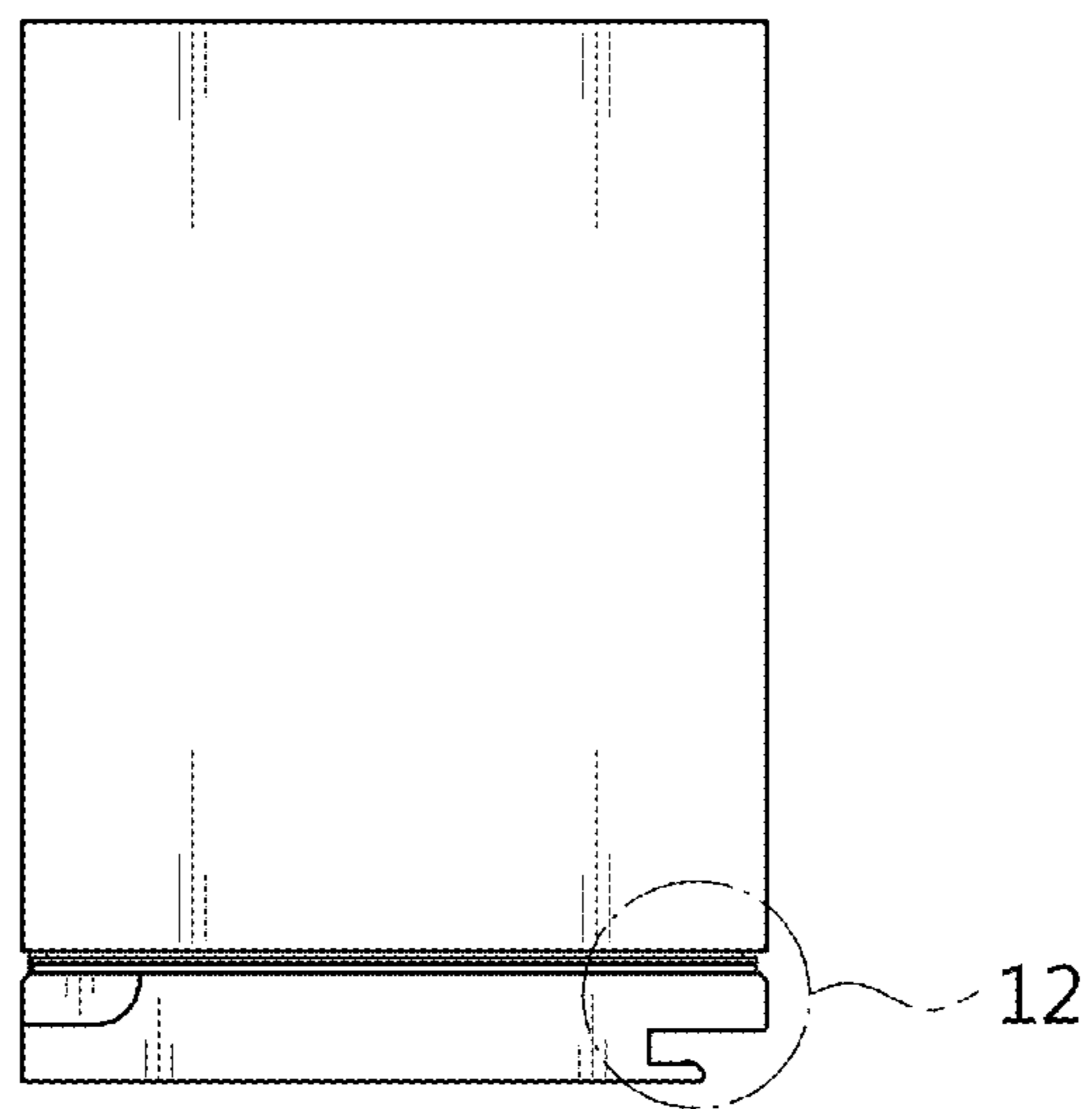




FIG. 7

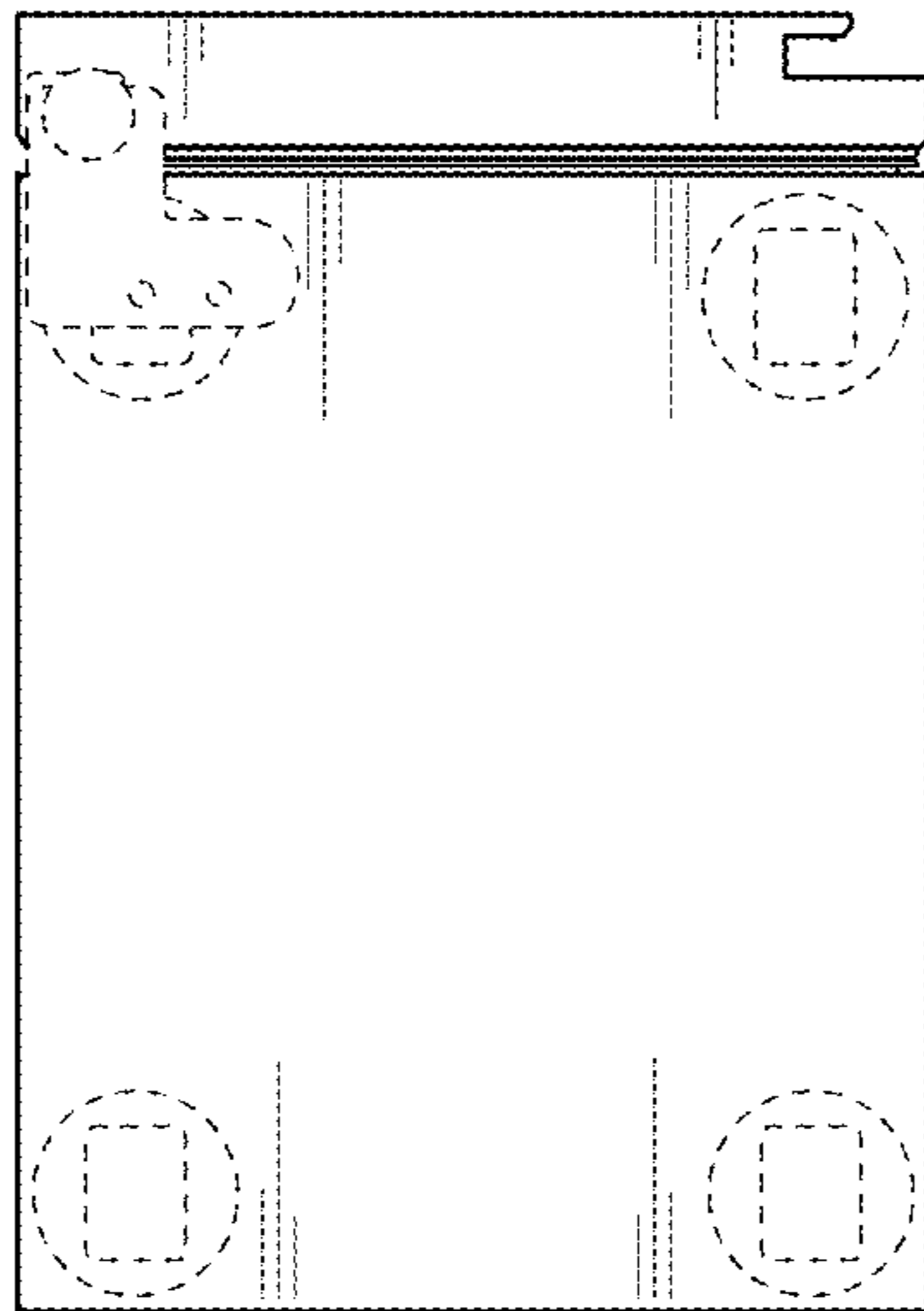


FIG. 8

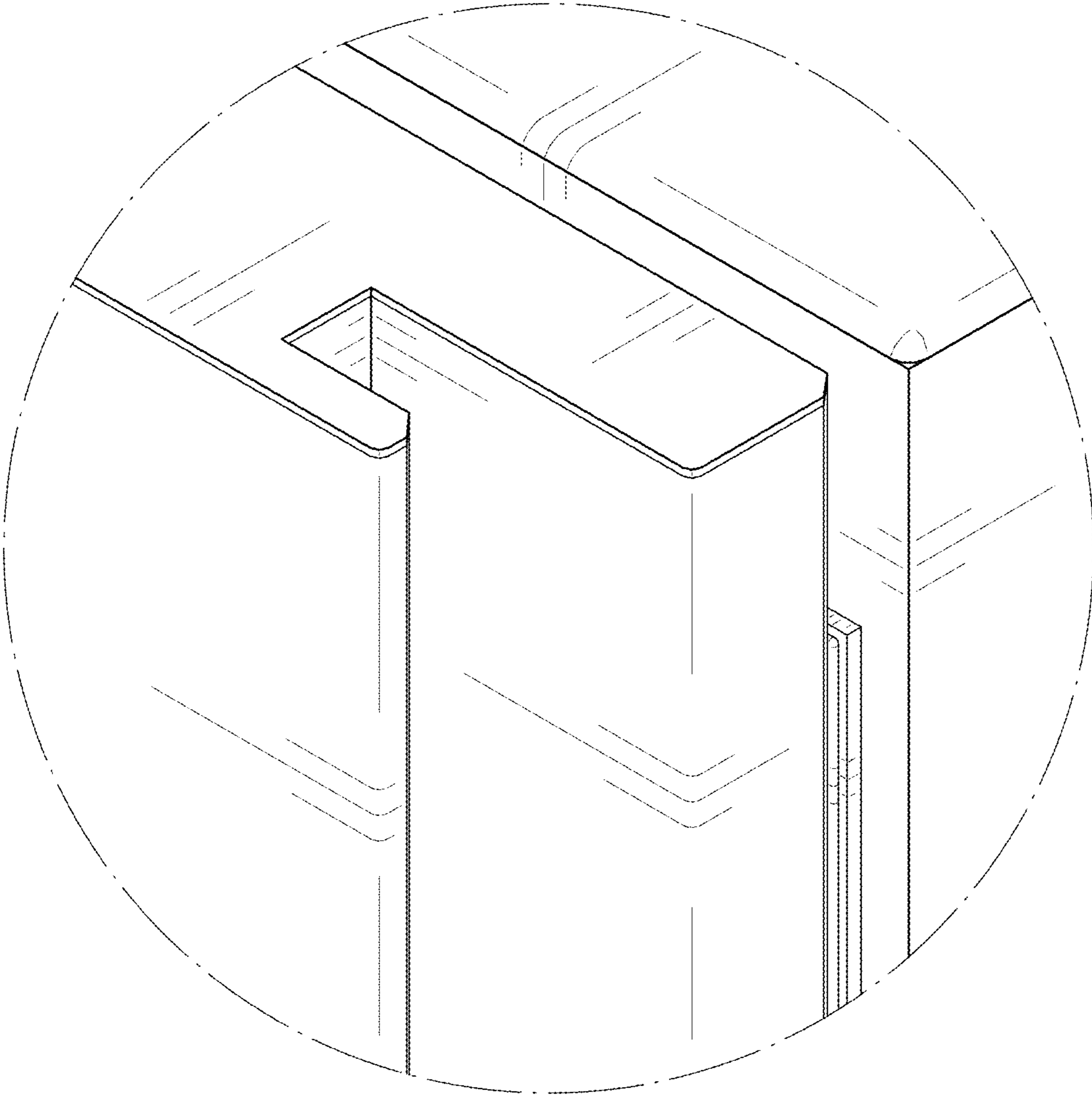


FIG. 9

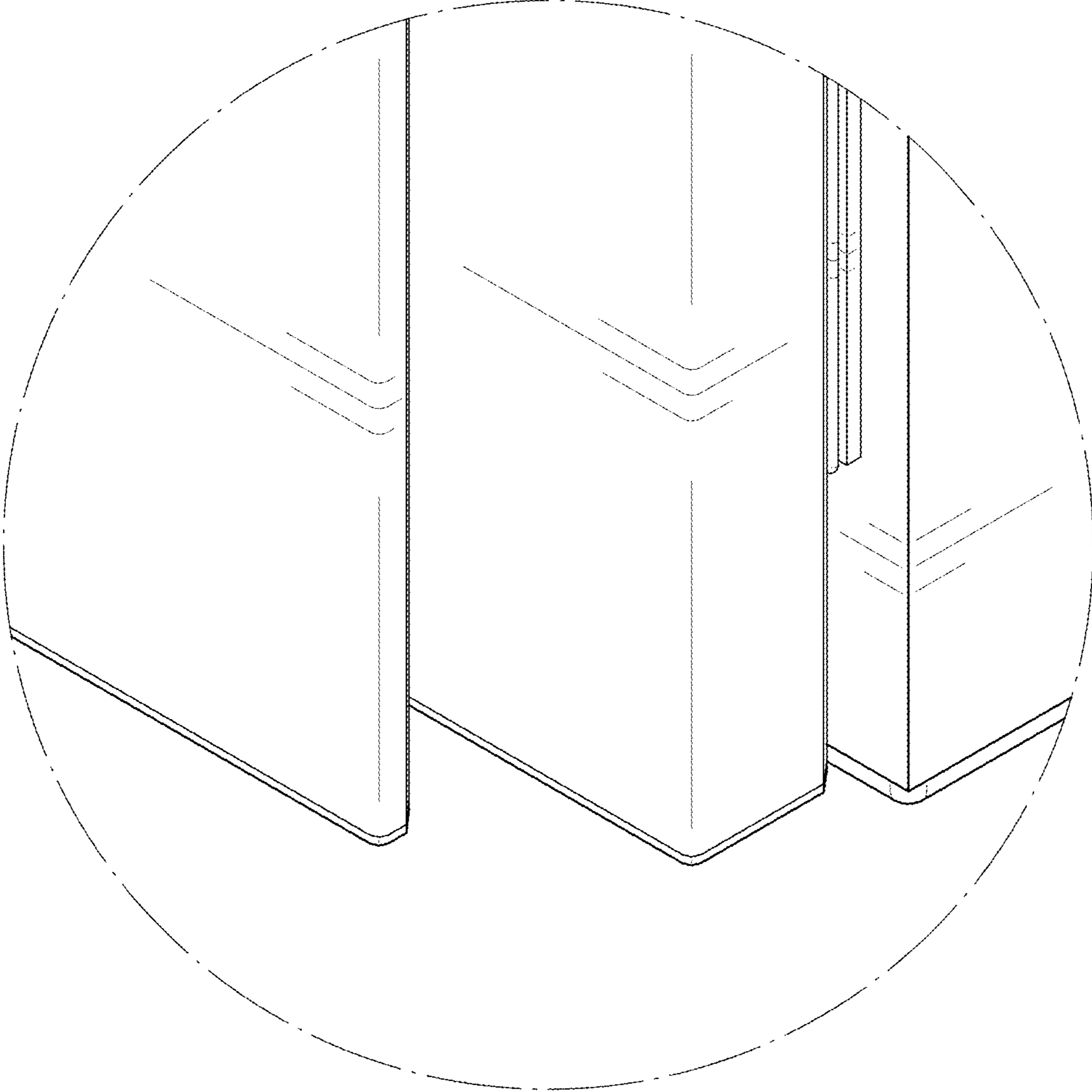


FIG. 10

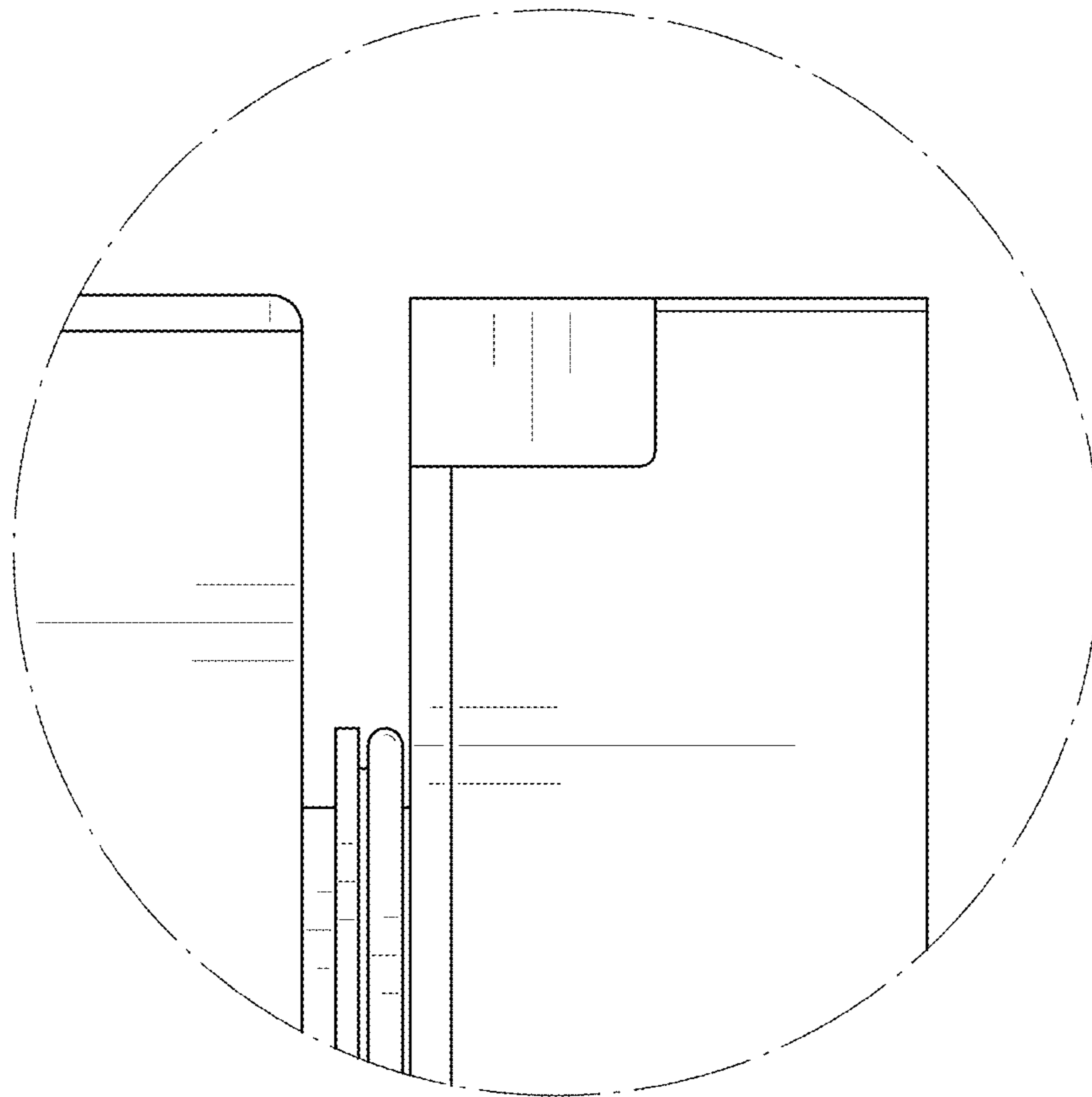


FIG. 11

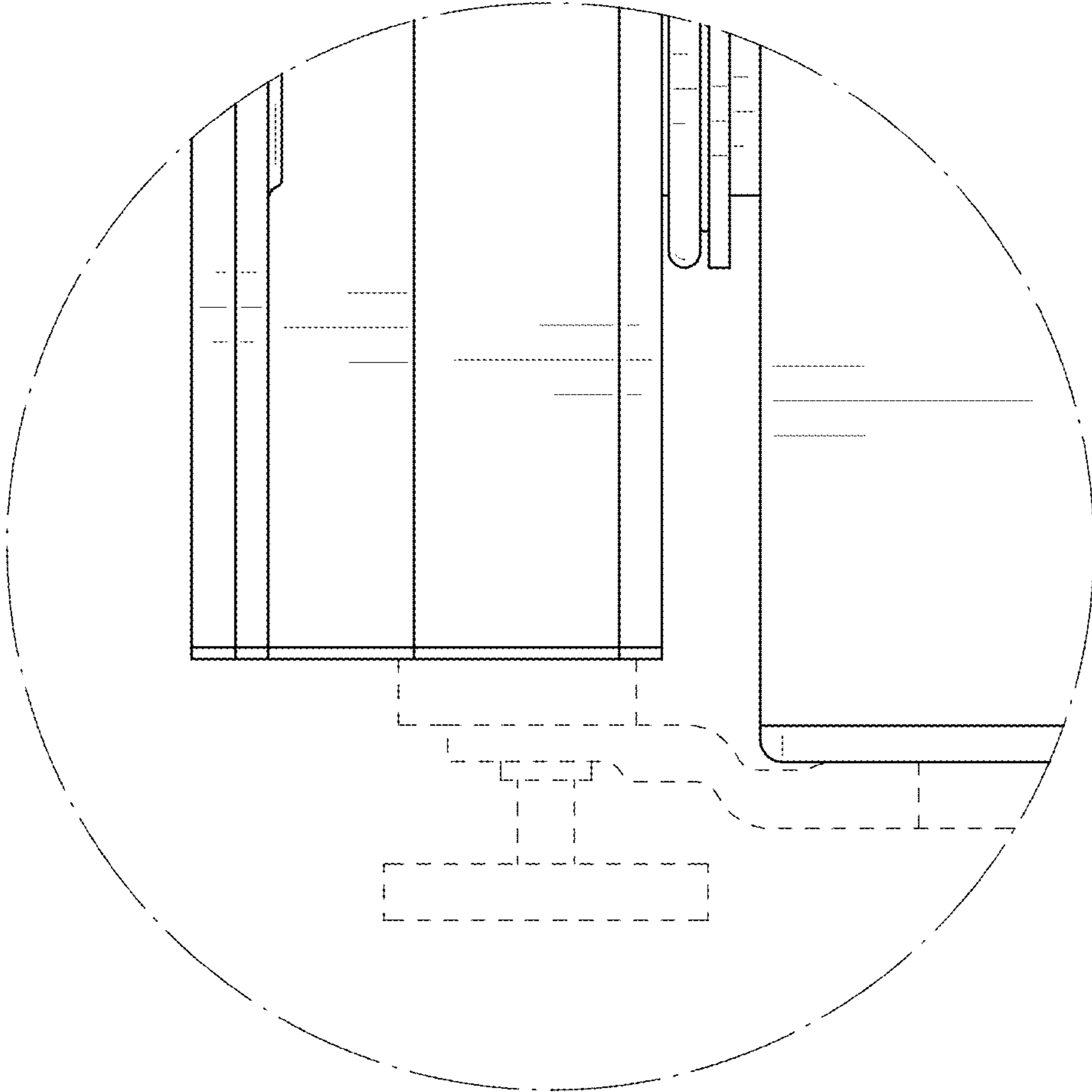


FIG. 12

