



US00D937506S

(12) **United States Design Patent** (10) **Patent No.:** **US D937,506 S**
Singhal et al. (45) **Date of Patent:** **** Nov. 30, 2021**

(54) **SPRAYER ASSEMBLY**

(71) Applicant: **WHIRLPOOL CORPORATION**,
Benton Harbor, MI (US)
(72) Inventors: **Ajay Satish Singhal**, Saint Joseph, MI
(US); **Mark S. Feddema**, Kalamazoo,
MI (US); **Sanket G. Pawaskar**,
Kankavali (IN); **Suzanne M. Berberet**,
Saint Joseph, MI (US); **Jerry M. Visin**,
Benton Harbor, MI (US); **Hrushikesh**
C. Prabhu, Pune (IN)

(73) Assignee: **Whirlpool Corporation**, Benton
Harbor, MI (US)

(**) Term: **15 Years**

(21) Appl. No.: **29/708,250**

(22) Filed: **Oct. 4, 2019**

(51) **LOC (13) Cl.** **15-05**

(52) **U.S. Cl.**
USPC **D32/3**

(58) **Field of Classification Search**
USPC D32/2, 3

(Continued)

(56) **References Cited**

U.S. PATENT DOCUMENTS

5,560,381 A * 10/1996 Edwards A47L 15/23
134/176
5,598,976 A * 2/1997 Jang A47L 15/4282
239/246

(Continued)

FOREIGN PATENT DOCUMENTS

CN 104739344 A 7/2015
CN 206026271 U 3/2017

(Continued)

OTHER PUBLICATIONS

Middle Spray Arm <https://www.genuinereplacementparts.com/whirlpool-gu980scgs2-middle-spray-arm-and-supply-tube-kit-genuine-oem> (Year: 2021).*

(Continued)

Primary Examiner — Michelle E. Wilson
Assistant Examiner — Richard E Yenchesky
(74) *Attorney, Agent, or Firm* — McGarry Bair PC

(57) **CLAIM**

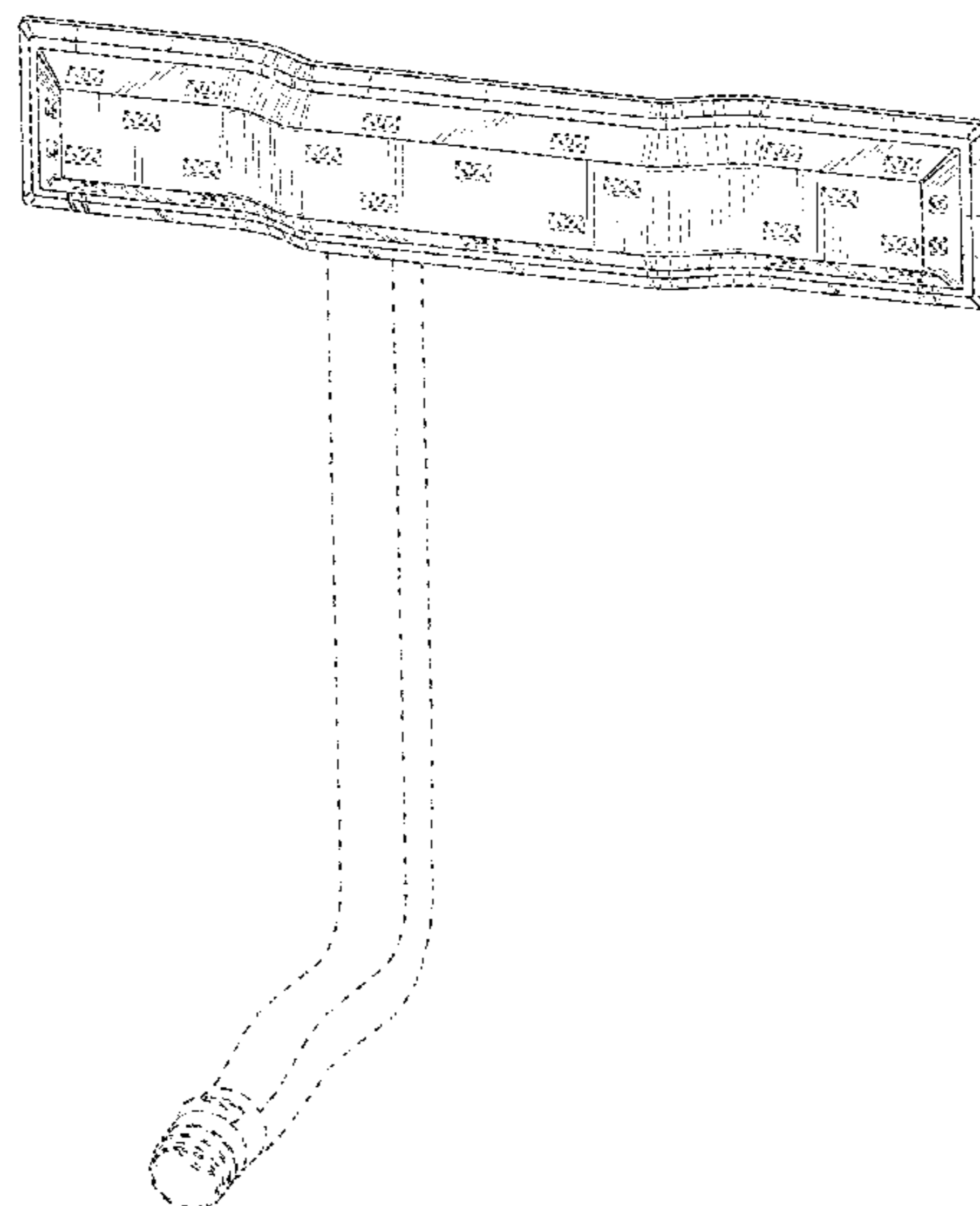
The ornamental design for a sprayer assembly, as shown and described.

DESCRIPTION

FIG. 1 is a front perspective view of the sprayer assembly, showing my new design;
FIG. 2 is a rear perspective view thereof;
FIG. 3 is a front view thereof;
FIG. 4 is a rear view thereof;
FIG. 5 is a right side view thereof;
FIG. 6 is a left side view thereof;
FIG. 7 is a top view thereof;
FIG. 8 is a bottom view thereof;
FIG. 9 is a front perspective view of the sprayer assembly of FIG. 1 according to a second embodiment, including a red-color periphery indicated by vertical lines, showing my new design;
FIG. 10 is a rear perspective view thereof;
FIG. 11 is a front view thereof;
FIG. 12 is a rear view thereof;
FIG. 13 is a right side view thereof;
FIG. 14 is a left side view thereof;
FIG. 15 is a top view thereof; and,
FIG. 16 is a bottom view thereof.

Portions of the sprayer assembly are shown in broken lines. Portions of the sprayer assembly shown in broken lines forms no part of the claimed design.

1 Claim, 16 Drawing Sheets



(58) **Field of Classification Search**

CPC .. A47L 15/4217; A47L 15/428; A47L 15/488;
 A47L 15/16; A47L 15/4282; A47L 15/46;
 A47L 15/4221; A47L 15/0031; A47L
 15/4257; A47L 15/23; A47L 15/0049;
 A47L 15/44; A47L 15/508; A47L 15/502;
 A47L 15/4206

See application file for complete search history.

(56) **References Cited**

U.S. PATENT DOCUMENTS

D461,284 S * 8/2002 Hegeman D32/3
 7,523,758 B2 4/2009 VanderRoest et al.
 D675,387 S * 1/2013 Burrows D32/3
 8,734,591 B2 5/2014 Beshears, Jr. et al.
 9,044,134 B2 6/2015 Park et al.
 D741,556 S 10/2015 Lee et al.
 D750,854 S 3/2016 Lee et al.
 D776,372 S * 1/2017 Haft D32/3
 D799,763 S * 10/2017 Haft D32/3
 D799,764 S * 10/2017 Haft D32/3
 9,993,133 B2 6/2018 Jung et al.
 D827,953 S * 9/2018 Lee D32/3
 10,076,224 B2 9/2018 Poojary et al.
 D842,558 S * 3/2019 Haft D32/3
 D866,884 S * 11/2019 Kangas D32/3
 10,743,742 B2 * 8/2020 Buesing A47L 15/502
 D900,417 S * 10/2020 Baldwin D32/3
 D904,703 S * 12/2020 Callahan D32/2
 11,051,675 B2 * 7/2021 Baldwin A47L 15/508
 2012/0000535 A1 * 1/2012 Poyner A47L 15/4217
 137/1
 2013/0008474 A1 * 1/2013 Thayyullathil A47L 15/488
 134/95.2
 2013/0074887 A1 * 3/2013 Feddema A47L 15/23
 134/172
 2014/0137911 A1 * 5/2014 Baldwin A47L 15/44
 134/200
 2015/0000714 A1 * 1/2015 Yoo A47L 15/4208
 134/111

2015/0129004 A1 * 5/2015 Lee B05B 1/20
 134/198
 2015/0182100 A1 * 7/2015 Park A47L 15/4282
 134/183
 2015/0182103 A1 * 7/2015 Jung A47L 15/16
 134/182
 2015/0265132 A1 * 9/2015 Sohn A47L 15/46
 134/18
 2015/0352472 A1 * 12/2015 Haft A47L 15/4206
 134/110
 2016/0316990 A1 * 11/2016 Ryu A47L 15/4282
 2016/0324392 A1 * 11/2016 Xu A47L 15/428
 2017/0105595 A1 * 4/2017 Lambert G06F 3/14
 2017/0112350 A1 * 4/2017 Buesing A47L 15/16
 2017/0332876 A1 * 11/2017 Boyer A47L 15/23
 2017/0354309 A1 * 12/2017 Kim A47L 15/4257
 2018/0110397 A1 4/2018 Kim et al.
 2018/0199789 A1 * 7/2018 Thiyagarajan A47L 15/0049
 2019/0159654 A1 * 5/2019 Dries A47L 15/23
 2019/0246869 A1 * 8/2019 Johannes A47L 15/16
 2019/0335974 A1 * 11/2019 Kopera A47L 15/46
 2019/0350433 A1 * 11/2019 Sankaran Veerabhagu
 A47L 15/488
 2020/0008644 A1 * 1/2020 Ju A47L 15/0031
 2020/0022557 A1 * 1/2020 Rappette A47L 15/4221

FOREIGN PATENT DOCUMENTS

CN 106725208 A 5/2017
 CN 208464017 U 2/2019
 EP 2554095 B1 6/2015
 EP 3040010 B1 8/2017
 KR 101155344 B1 6/2012

OTHER PUBLICATIONS

Whirlpool Dishwasher Sprayer Arm <https://applianceparts365.com/whirlpool-arm-spray-part-w108494712021> (Year: 2021).
 Dishwasher spray arm lower https://www.genuinereplacementparts.com/whirlpool-wdt920sadm3-dishwasher-spray-arm-lower-genuine-oem?gclid=EAlalQobChMlnc eX-lzW8QIVk7rlCh0qJQxREAsYAiABEglkz_D_BwE (Year: 2021).*

* cited by examiner

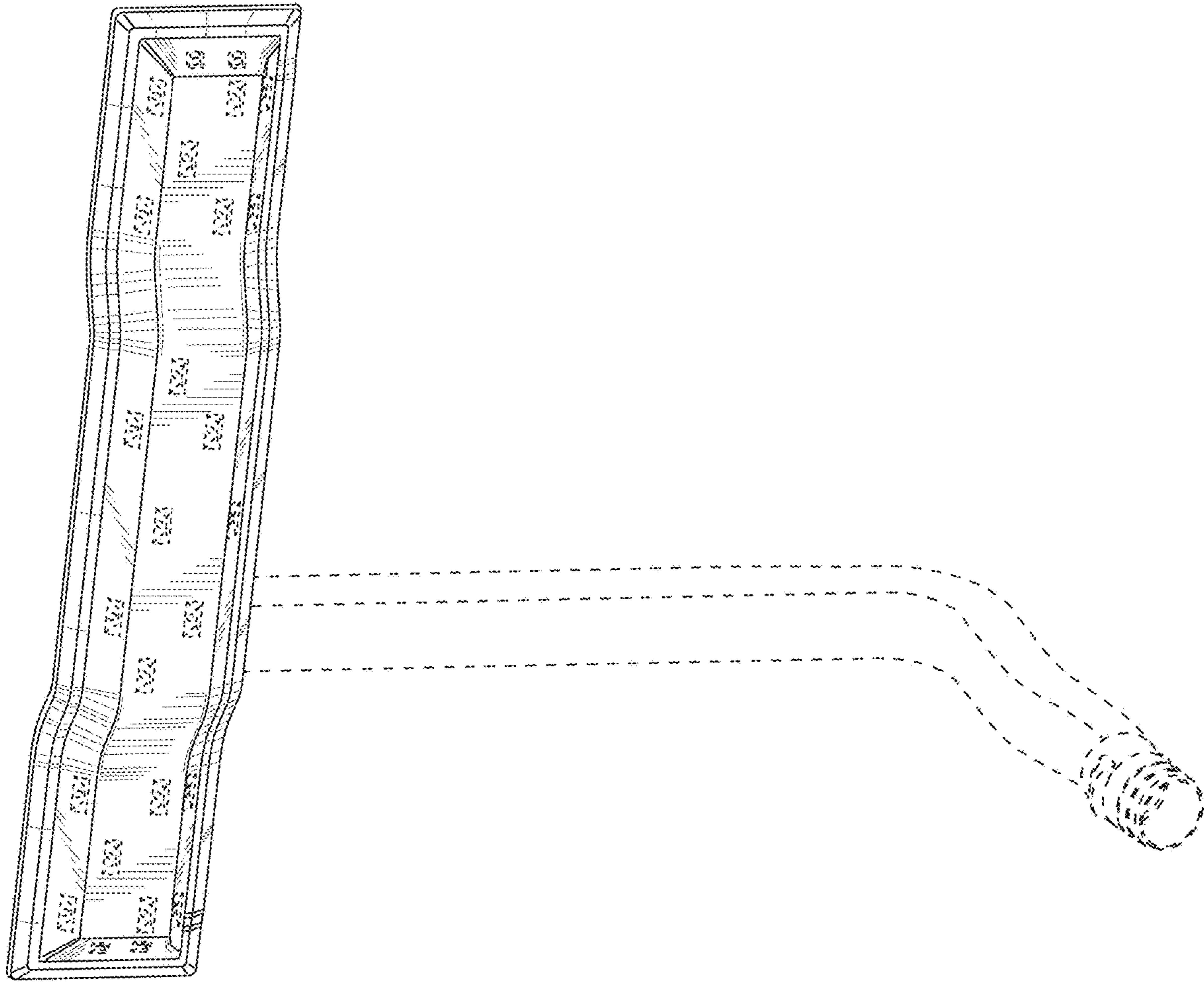


FIG. 1

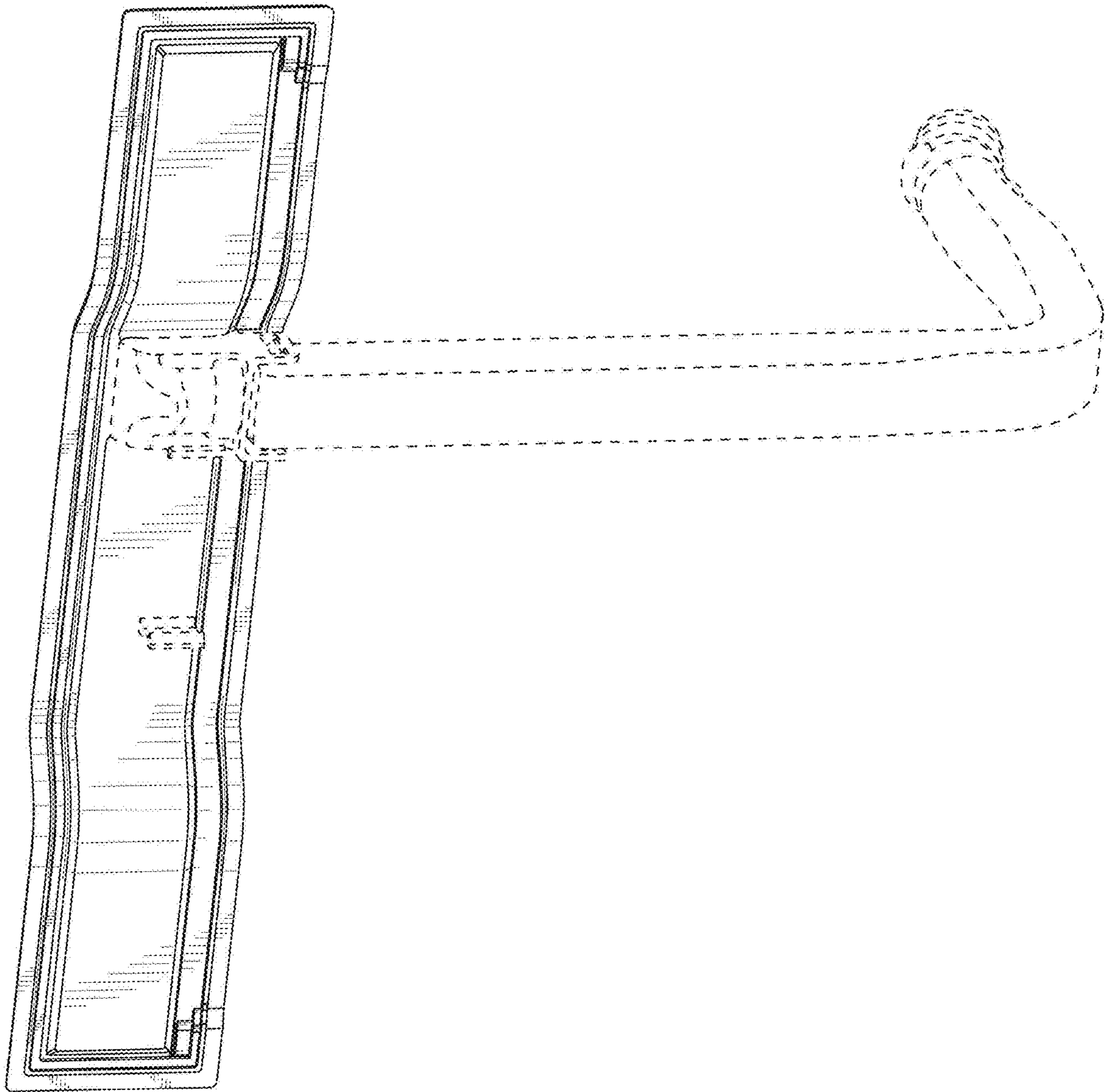


FIG. 2

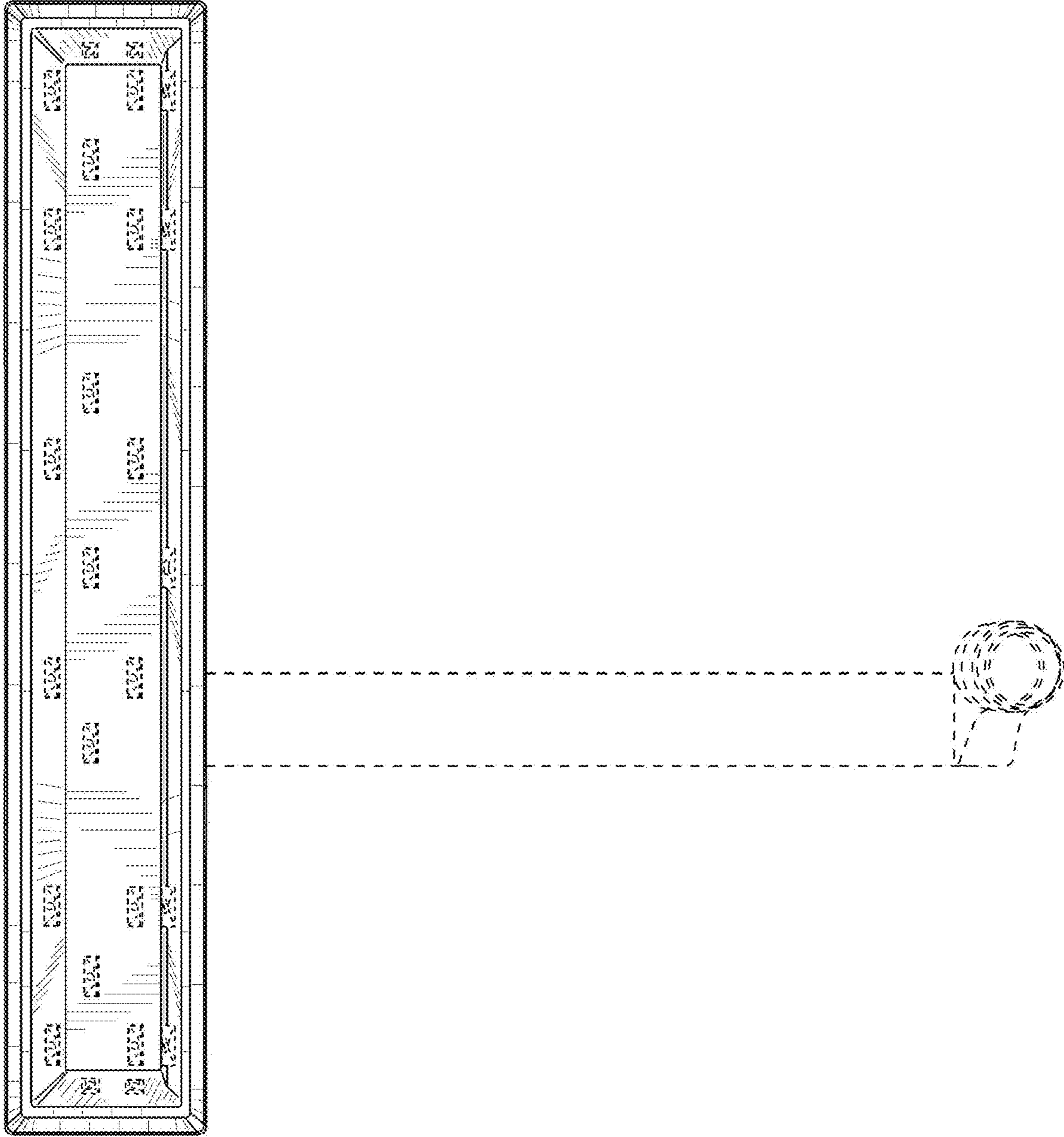


FIG. 3

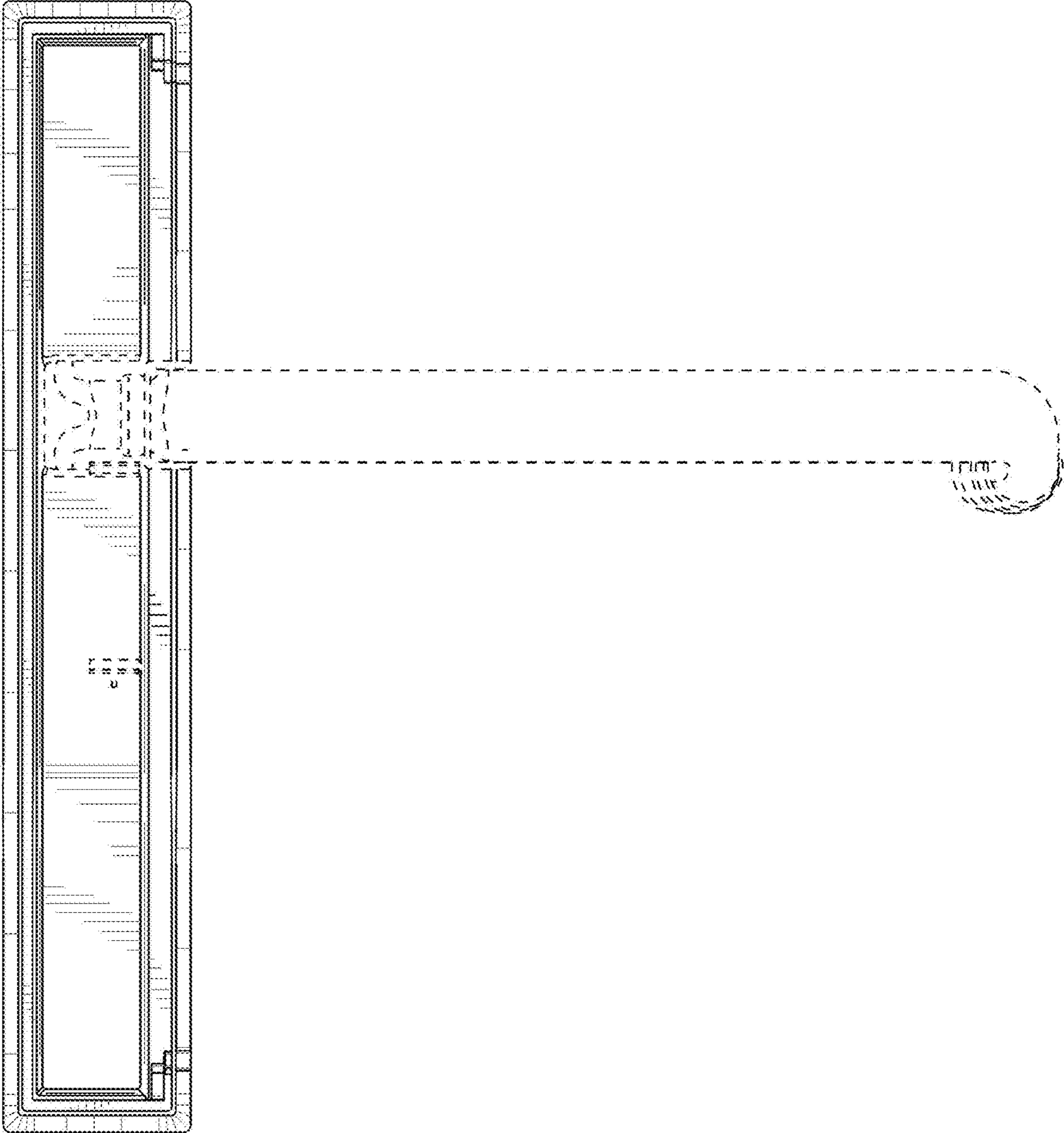


FIG. 4

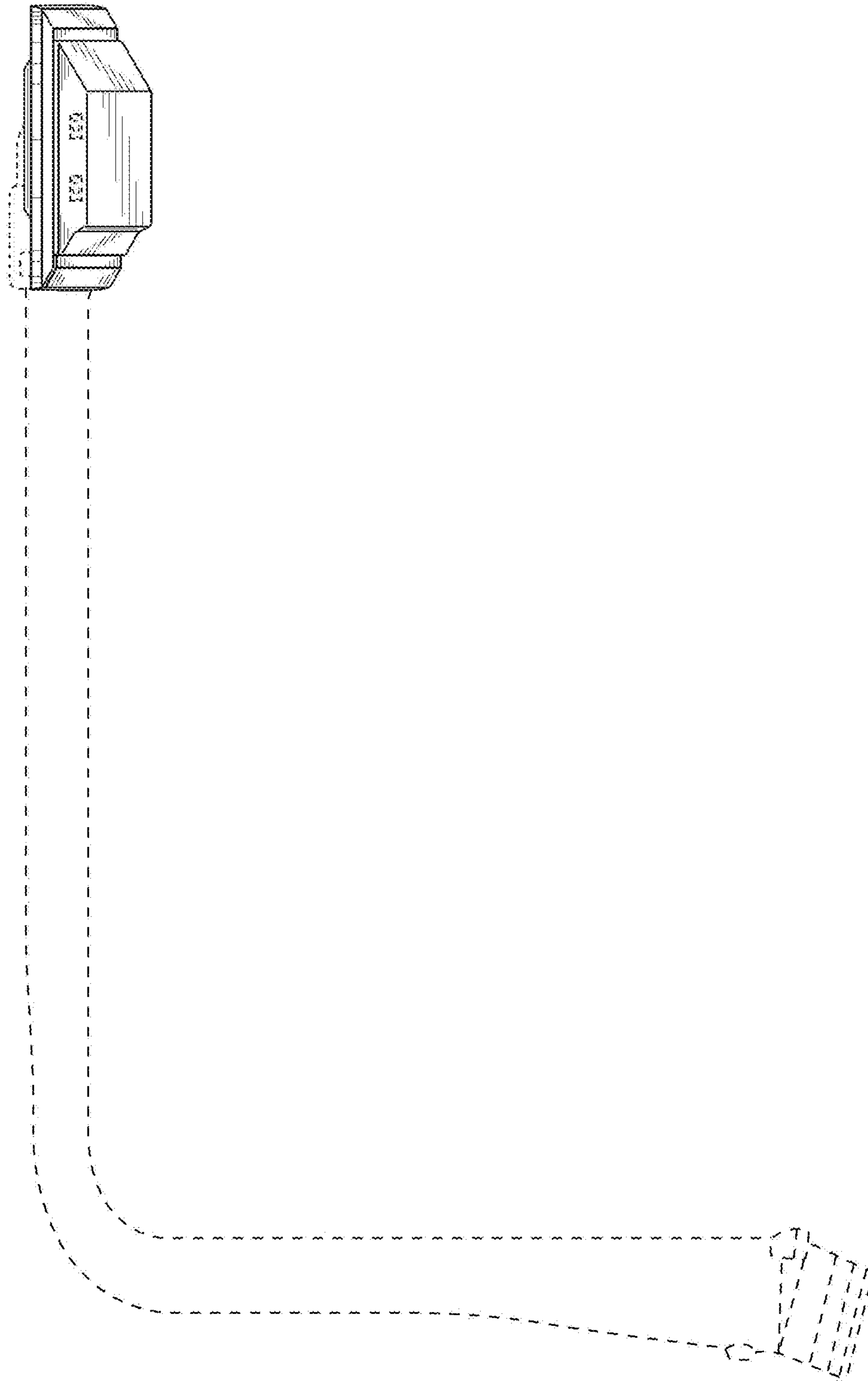


FIG. 5

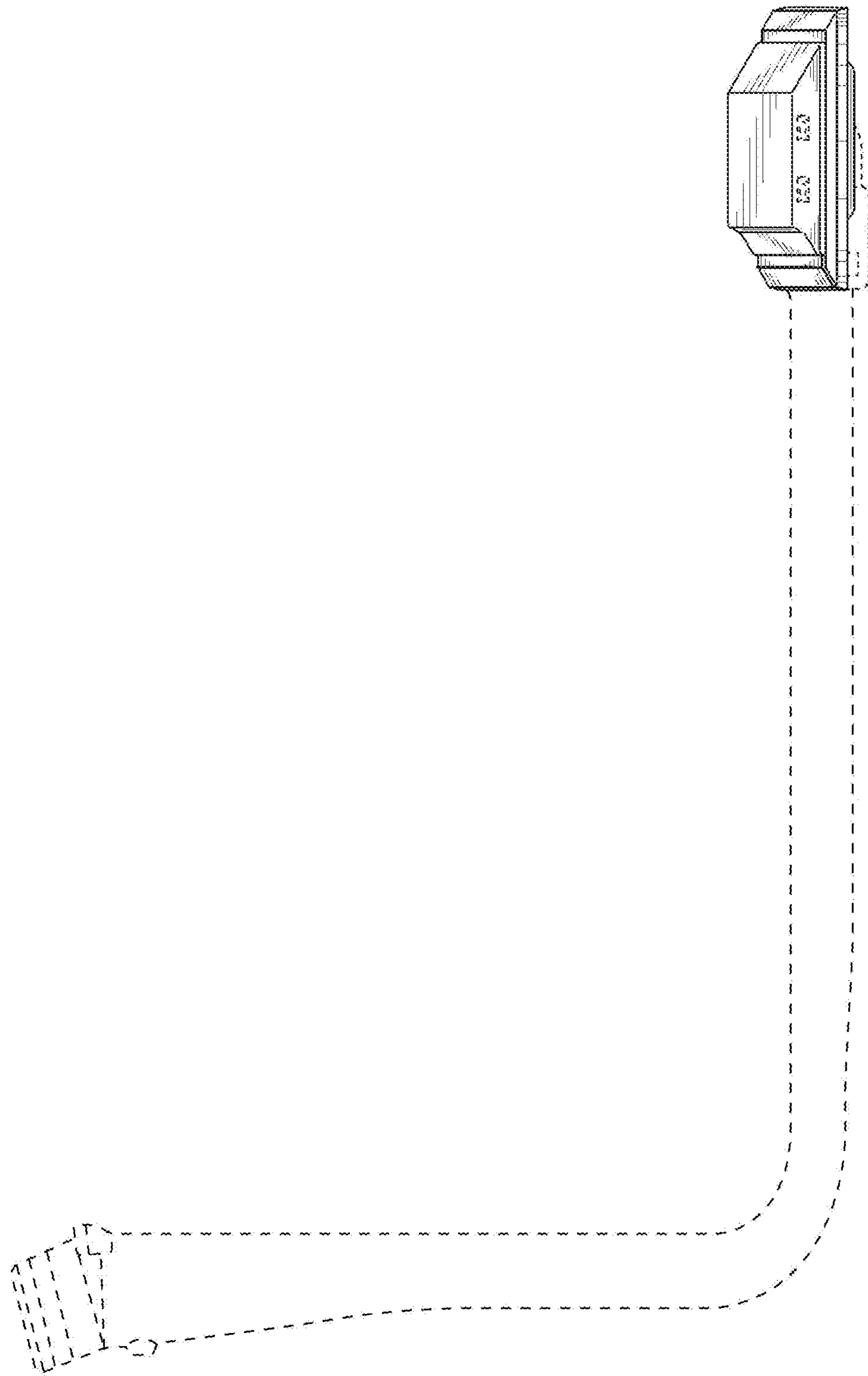


FIG. 6

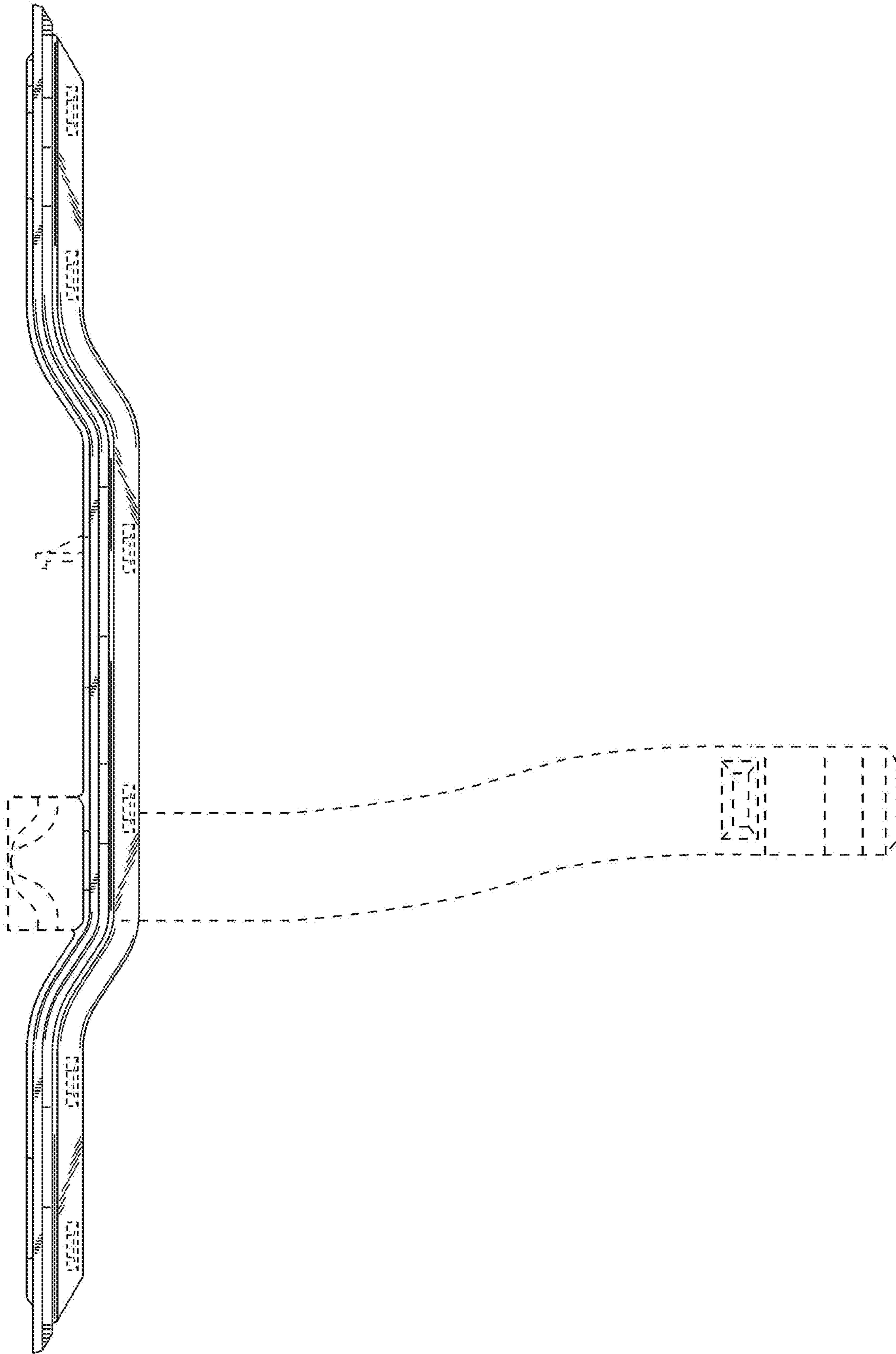


FIG. 7

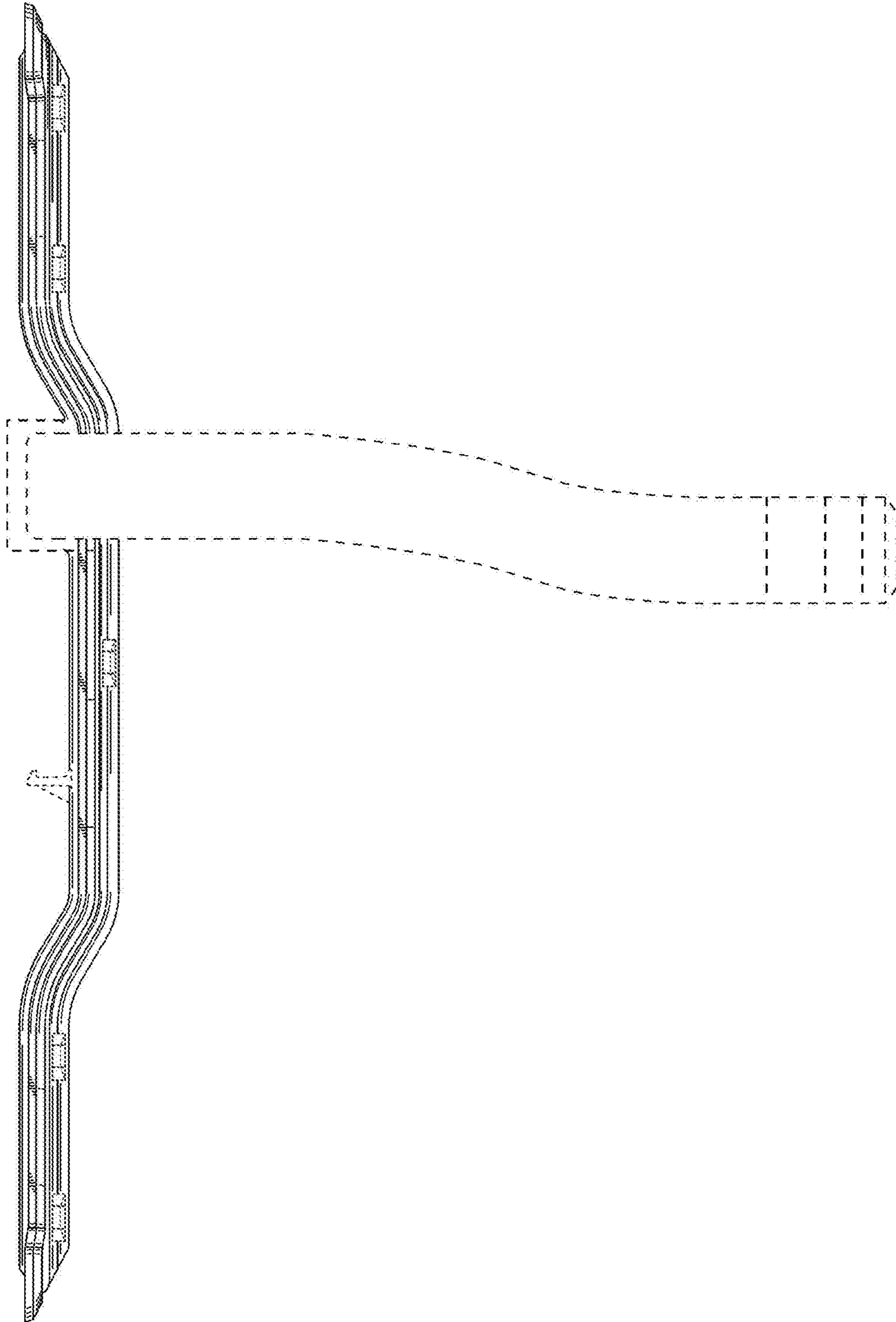


FIG. 8

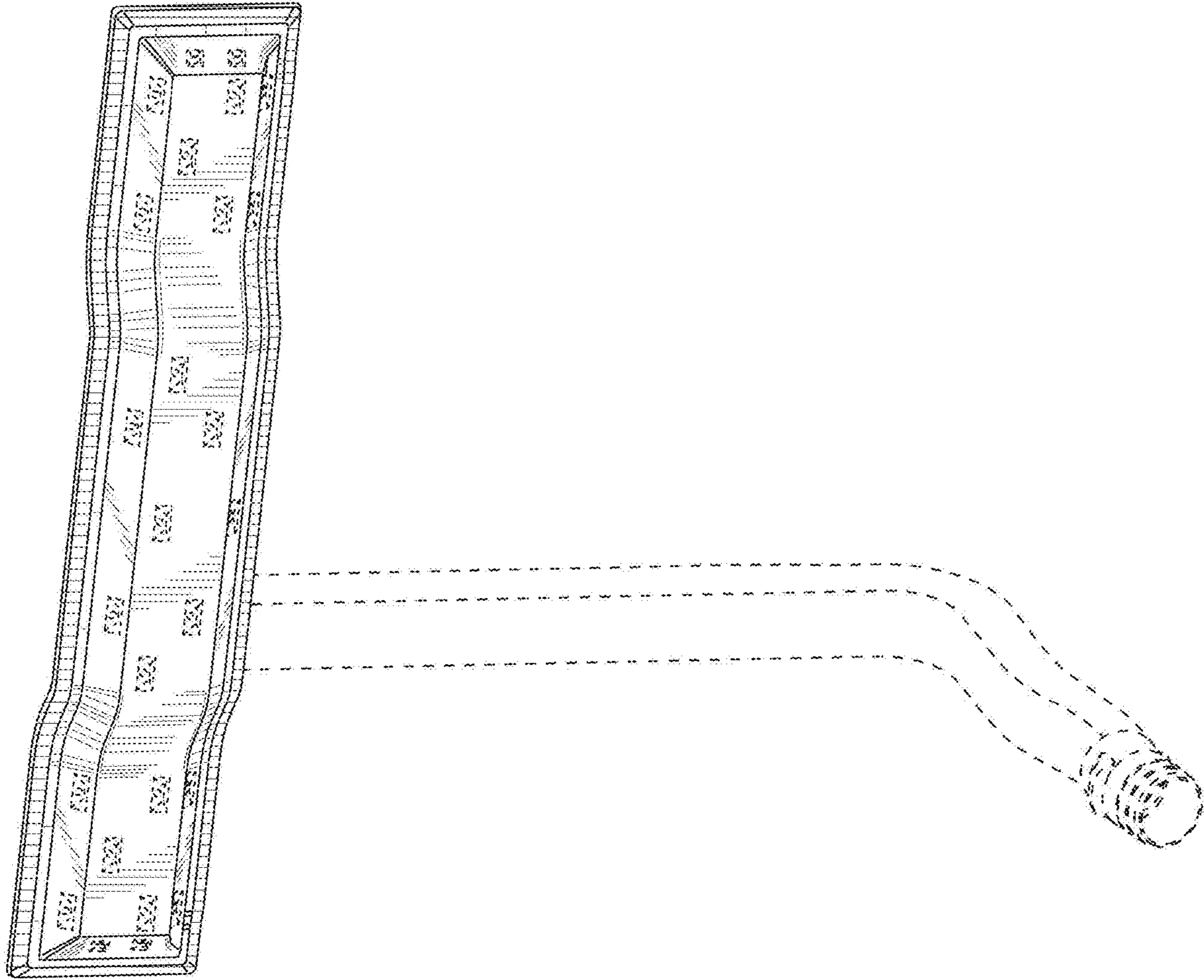


FIG. 9

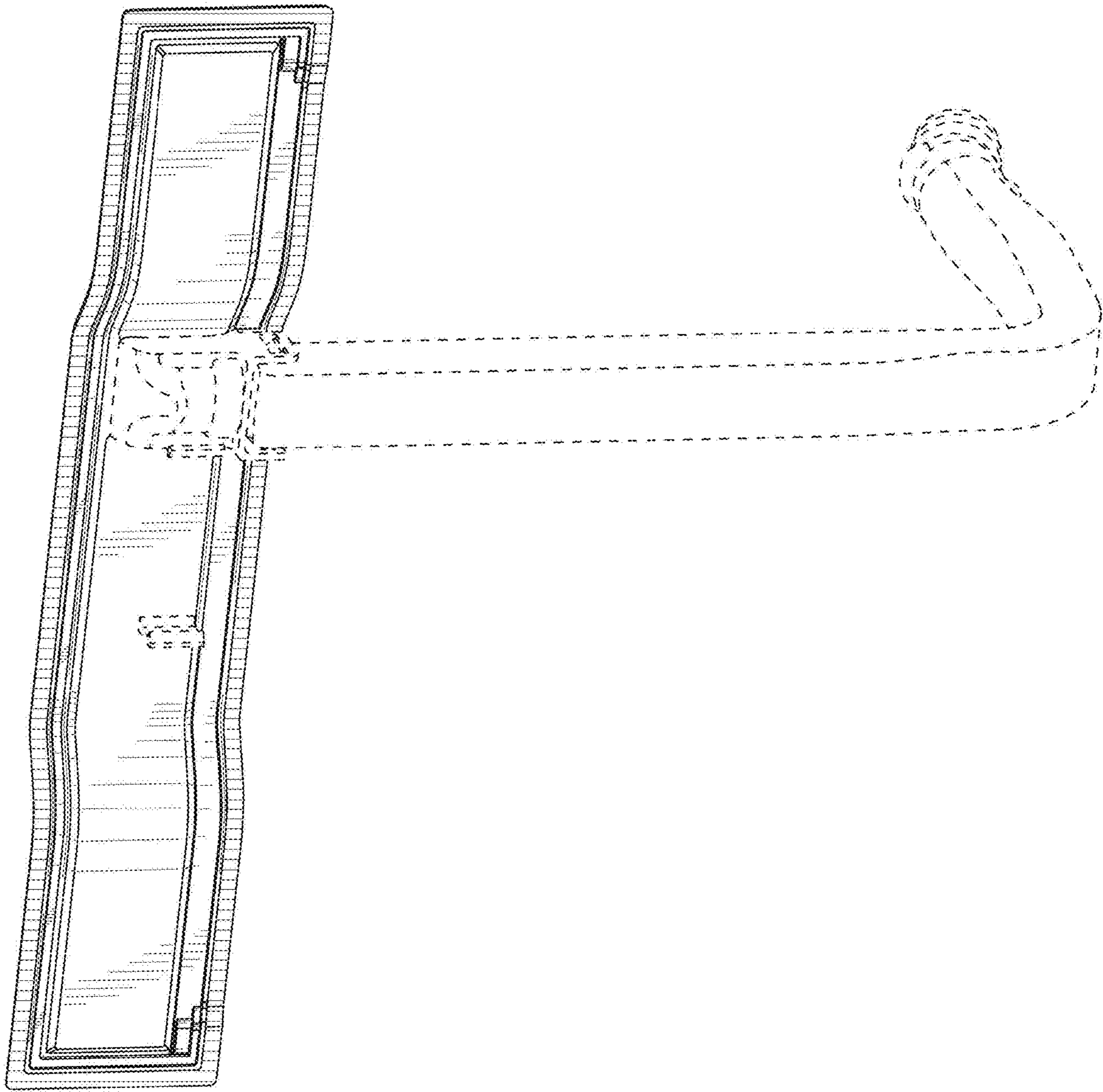


FIG. 10

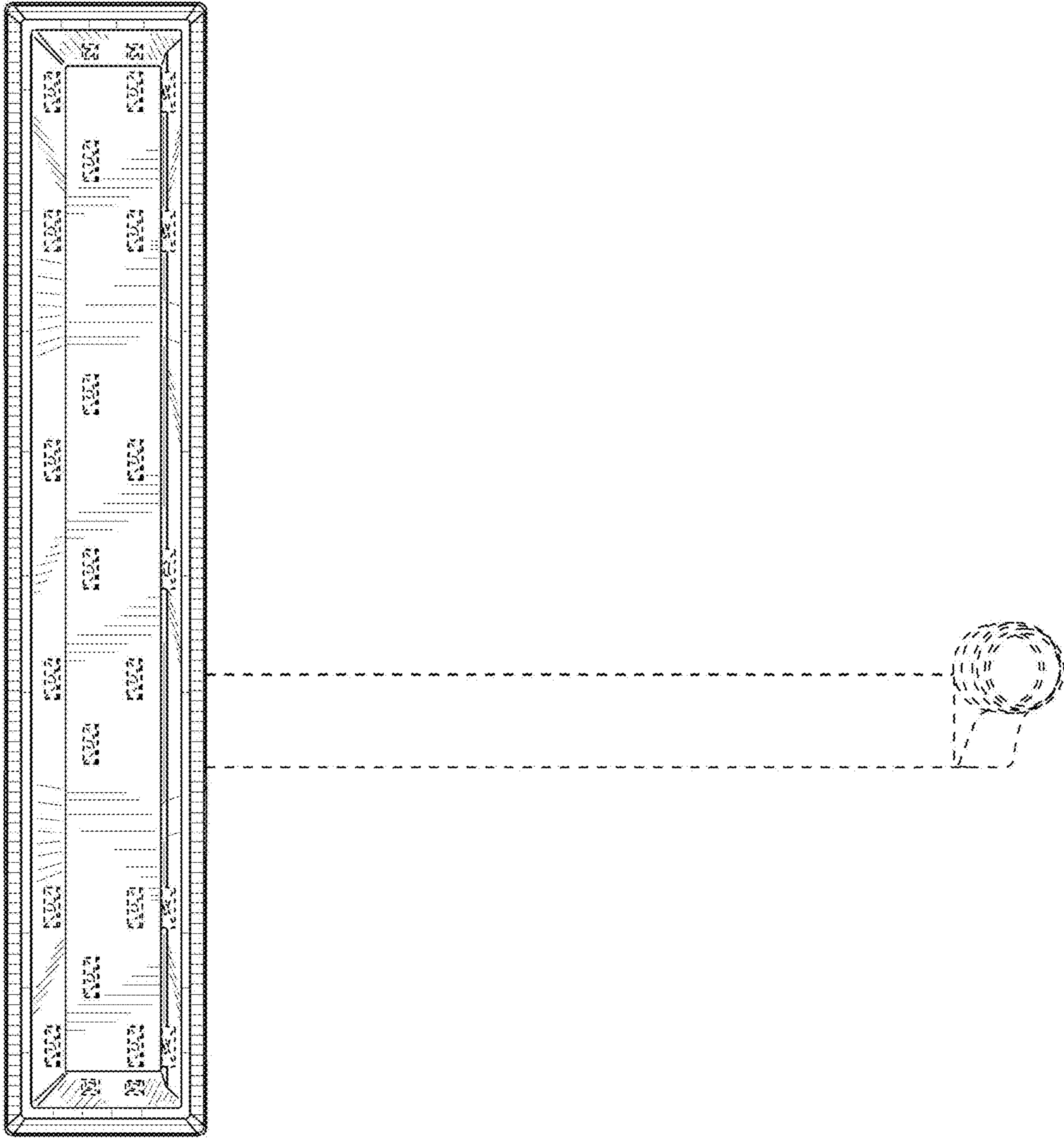


FIG. 11

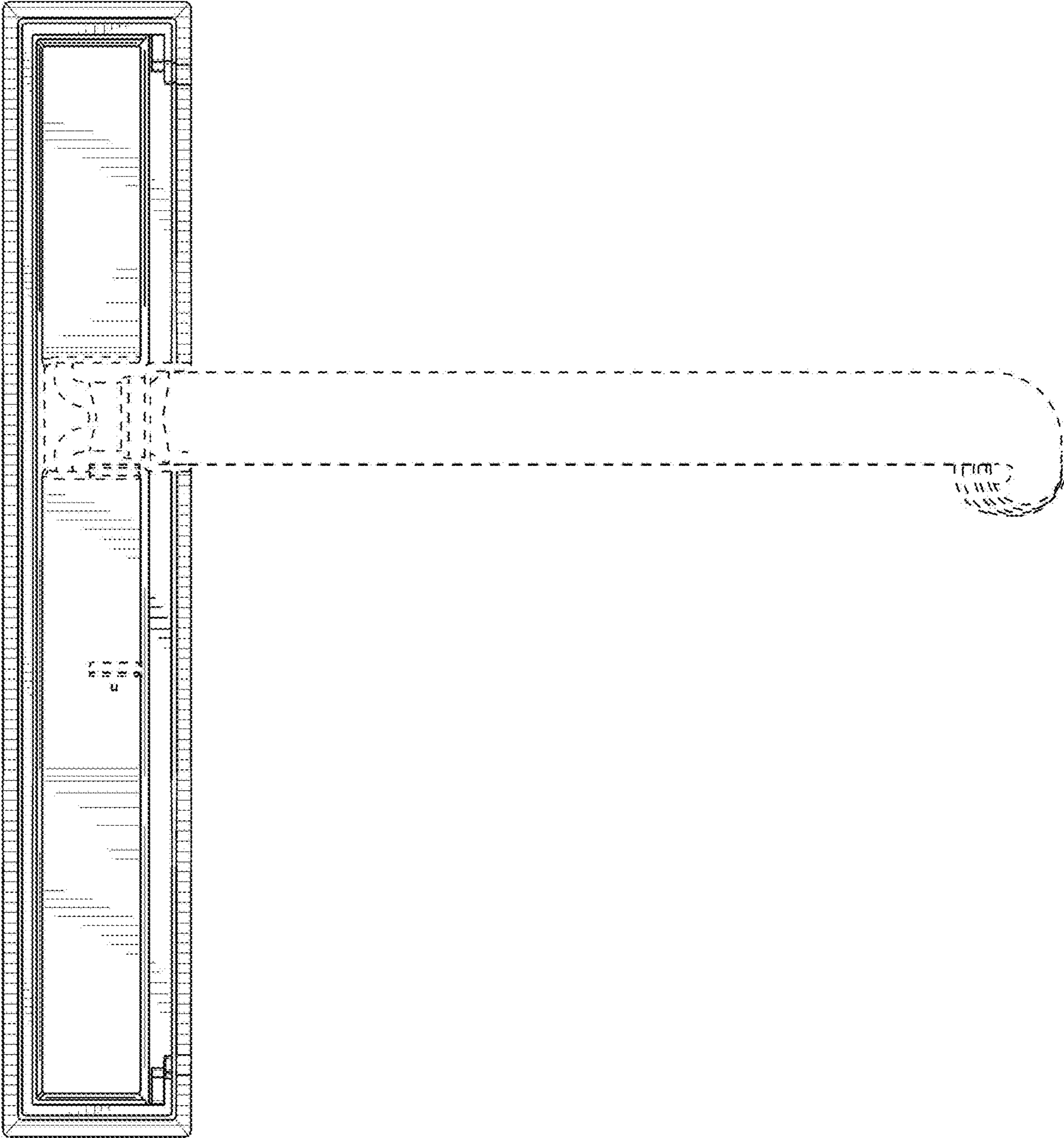


FIG. 12

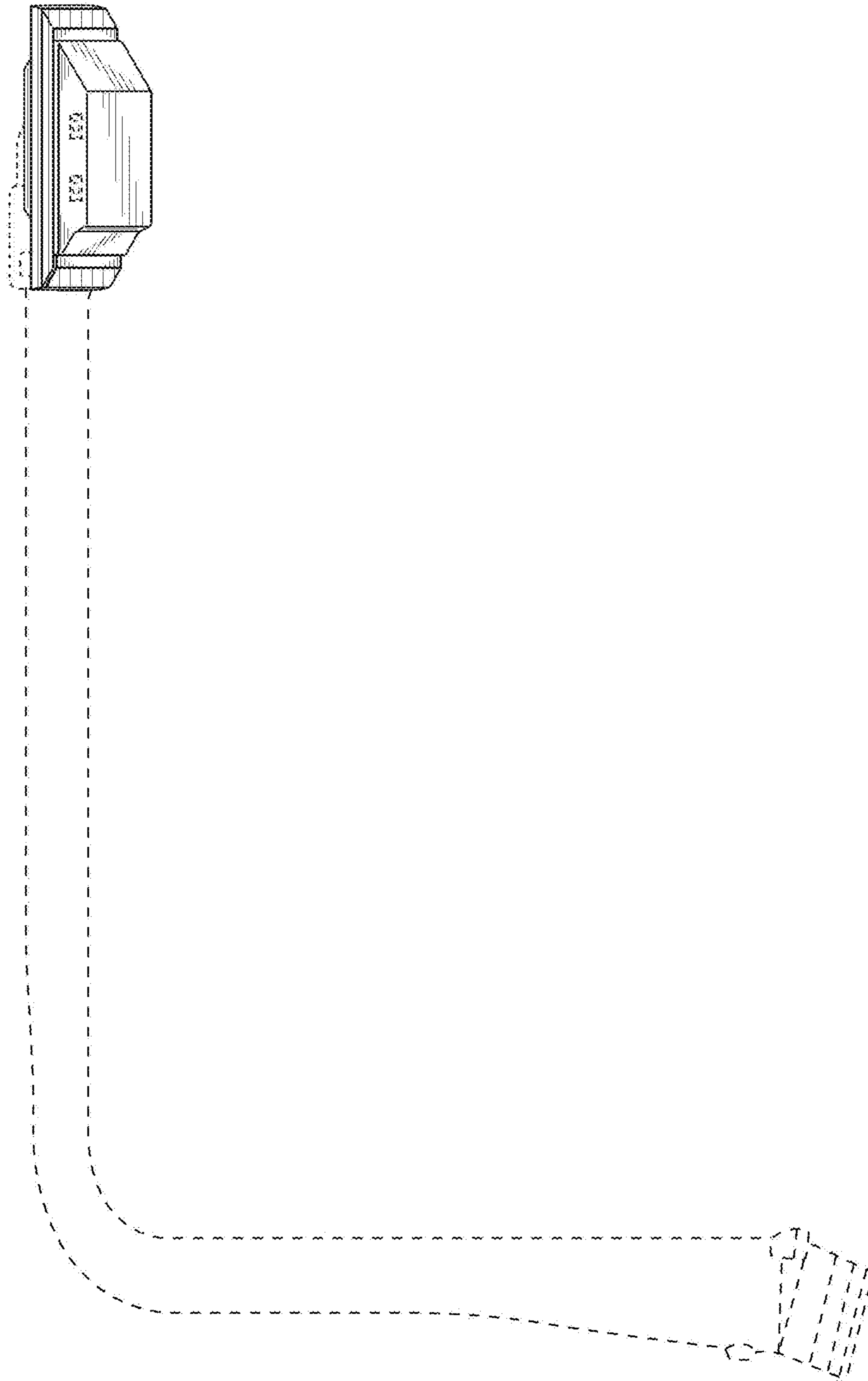


FIG. 13

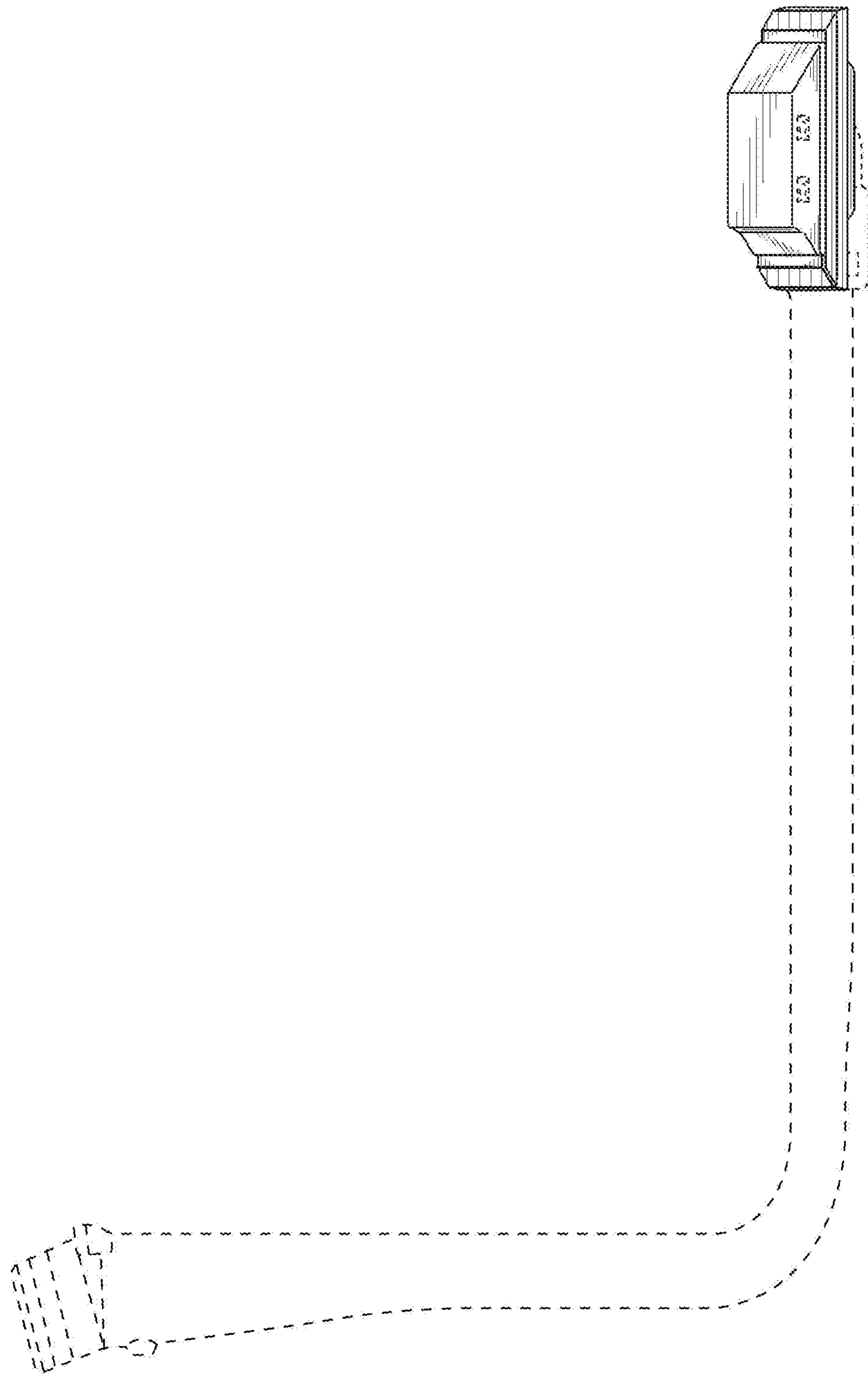


FIG. 14

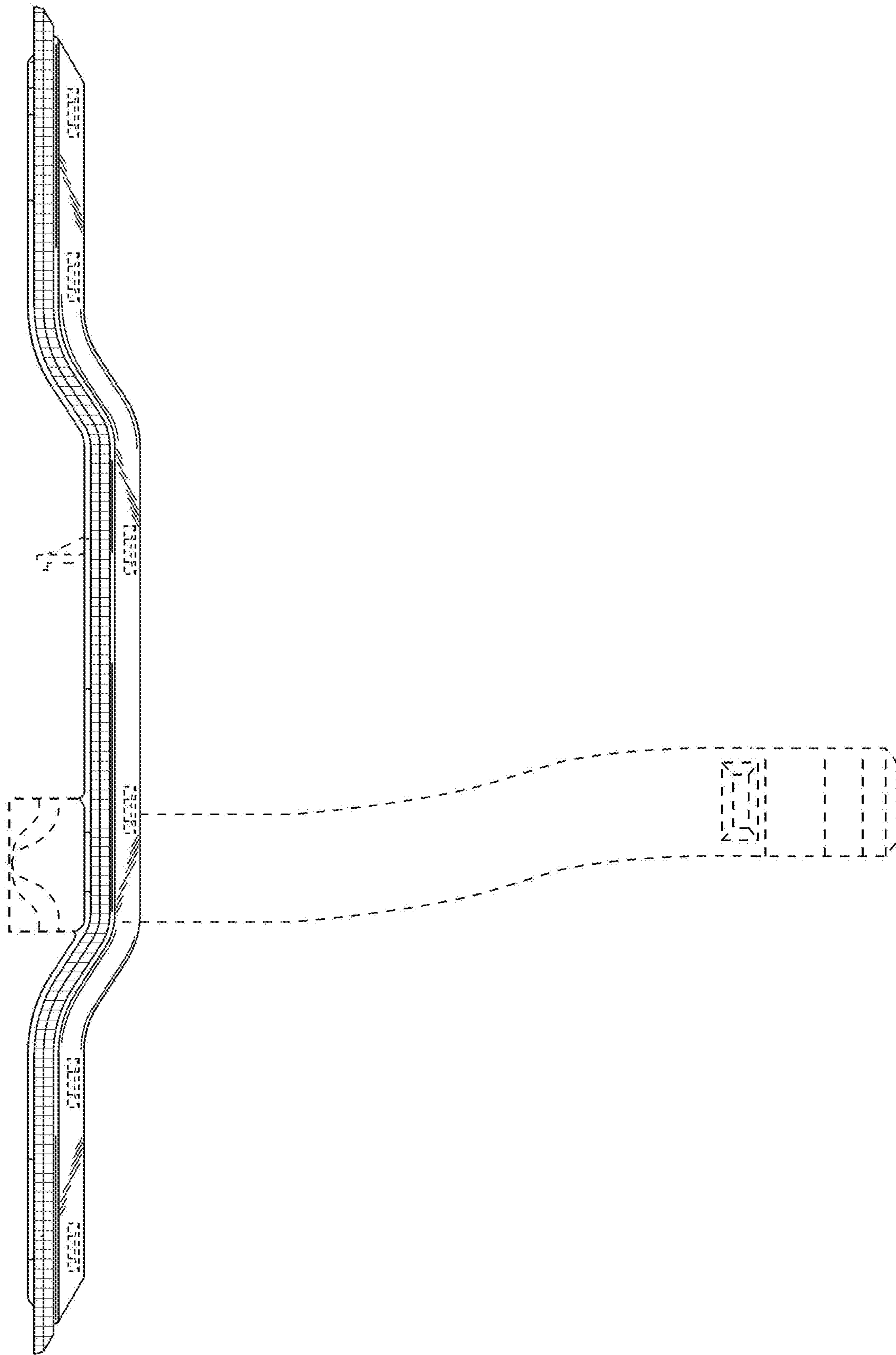


FIG. 15

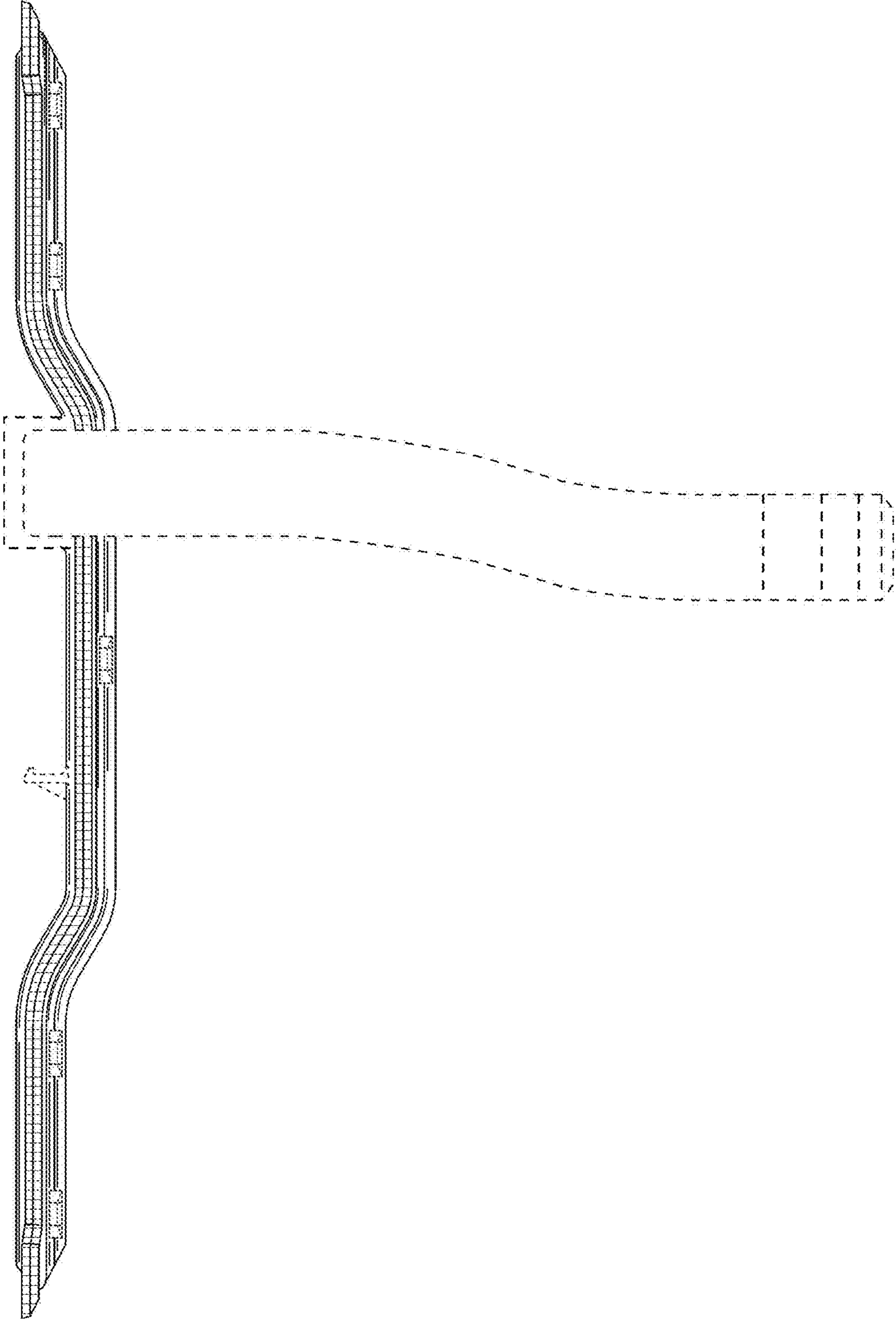


FIG. 16