



US00D937505S

(12) **United States Design Patent**  
**Miklosovic**

(10) **Patent No.:** **US D937,505 S**

(45) **Date of Patent:** **\*\* Nov. 30, 2021**

(54) **DOGGIE SCOOP**

(71) Applicant: **Michael R. Miklosovic**, Brook Park,  
OH (US)

(72) Inventor: **Michael R. Miklosovic**, Brook Park,  
OH (US)

(\*\*) Term: **15 Years**

(21) Appl. No.: **29/712,202**

(22) Filed: **Nov. 6, 2019**

(51) **LOC (13) Cl.** ..... **30-99**

(52) **U.S. Cl.**  
USPC ..... **D30/162**

(58) **Field of Classification Search**  
USPC ..... D30/162, 199; 273/447; D8/1, 4-11, 13,  
D8/14, 105, 106, 107, 300, 301, 303, 307,  
D8/310-313, 315-321; D34/1, 10, 28,  
D34/34, 35; D21/532; D29/124;  
D7/642, 644, 683, 685, 686, 687, 688,  
D7/393, 648; 119/867, 161;  
294/1.3-1.5, 19.2, 19.3, 86.4, 86.11,  
294/86.19, 86.42, 86.12, 86.17, 86.2,  
294/86.21, 86.24, 86.26, 86.32, 87.26,  
294/196-198, 210, 111, 49-58, 176,  
294/180-182, 179; 132/273, 277, 283,  
132/284, 128-156, 236, 252, 259-263;  
15/257.1, 228, 229.2, 119.1, 119.2, 120.2,  
15/104.001, 120.1, 144.3, 145;  
446/424-428, 491, 330, 86; 56/400.17,  
56/400.01, 400.04-400.11, 400.1, 400.14,  
56/400.16, 400.21; 172/371, 373-375,  
172/378, 379, 381; D32/38-40, 44, 50,  
D32/52, 74, 35; 16/110.1, 111.1, 421,  
16/422, 429, 430, 444  
CPC ..... A01K 1/01; A01K 1/0128; A01K 1/0132;  
A01K 23/005; E01H 1/1206; E01H 1/12;  
E01H 1/1213; E01H 2001/122; E01H  
2001/1226; E01H 2001/1233; E01H  
2001/1246; E01H 2001/1293; A63H  
17/266; A63H 17/12; A63H 17/26; A63H

23/005; A63H 23/16; A63H 33/3044;  
A63H 33/3072; B25J 1/02; B25J 1/06;  
A01B 1/20; A01B 1/22; A01B 1/227;  
A01D 7/00; A01D 7/02; A01D 7/04;  
A01D 7/06; A01D 7/08; A01D 7/10;  
A01D 11/00; A01D 11/06; B25G 1/00;  
B25G 1/04; B25G 3/30; E04D 15/00;  
E04D 15/003; E04D 15/006; Y10T  
403/40; Y10T 403/46; Y10T 403/7005;  
A46B 2200/302; A46B 2200/3026; A46B  
2200/3073; A46B 5/002; A46B 5/0033;  
A46B 5/0041; A46B 5/005; A46B  
5/0054; A46B 5/0058; A46B

(Continued)

(56) **References Cited**

U.S. PATENT DOCUMENTS

D1,054 S \* 10/1858 Bruff ..... D8/11  
118,088 A \* 8/1871 Wilhoit ..... A01B 1/20  
172/375

(Continued)

*Primary Examiner* — Susan Moon Lee  
(74) *Attorney, Agent, or Firm* — Joseph H. Taddeo

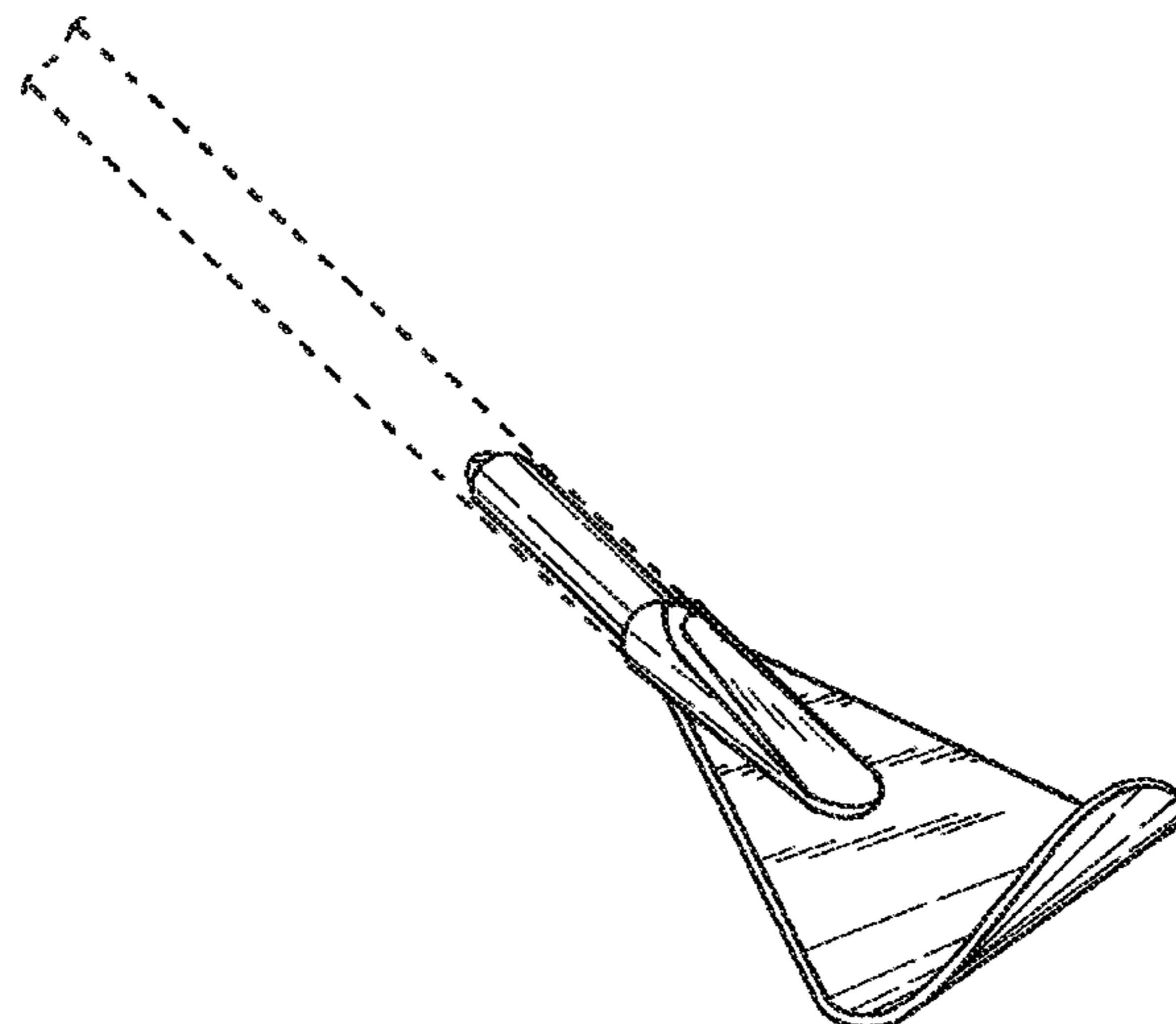
(57) **CLAIM**

The ornamental design for a doggie scoop, as shown and described.

**DESCRIPTION**

FIG. 1 is a ¾ perspective view of the invention;  
FIG. 2 is a top view thereof;  
FIG. 3 is a bottom view thereof;  
FIG. 4 is a right side view thereof;  
FIG. 5 is a left side view thereof;  
FIG. 6 is a front view thereof;  
FIG. 7 is a back view thereof; and,  
FIG. 8 is a ¾ perspective view thereof wherein the broken lines are for illustrative and environment purposes only and form no part of the claimed design.

**1 Claim, 5 Drawing Sheets**



(58) **Field of Classification Search**  
 CPC ..... 5/0079; A46B 5/0083; A46B 5/026; B24D  
 13/045; B25B 23/16  
 See application file for complete search history.

(56) **References Cited**

U.S. PATENT DOCUMENTS

295,922 A \* 4/1884 Hood ..... A01B 1/20  
 172/375  
 D29,389 S \* 9/1898 Vinson ..... D8/11  
 1,008,873 A \* 11/1911 Stults ..... A01B 1/20  
 172/375  
 1,129,052 A \* 2/1915 Senn ..... A01B 1/20  
 172/375  
 1,148,534 A \* 8/1915 Pringle ..... A01B 1/20  
 172/375  
 1,284,752 A \* 11/1918 Neuman ..... A01B 1/20  
 172/375  
 1,286,931 A \* 12/1918 Buisson ..... A01B 1/20  
 172/375  
 D123,051 S \* 10/1940 Farmer ..... D8/11  
 D160,520 S \* 10/1950 Mowat ..... D3/260

2,957,532 A \* 10/1960 Abbott ..... A01B 1/06  
 172/375  
 3,767,249 A \* 10/1973 Rogers ..... A01B 1/00  
 294/49  
 3,777,708 A \* 12/1973 Vogt ..... A01K 23/005  
 294/1.5  
 3,868,135 A \* 2/1975 Magliaro ..... A01K 23/005  
 294/1.5  
 5,097,910 A \* 3/1992 Traczek ..... A01B 1/225  
 172/375  
 D406,415 S \* 3/1999 Martin ..... D30/162  
 6,030,011 A \* 2/2000 Layton ..... E01H 1/1206  
 15/257.4  
 6,398,278 B1 \* 6/2002 Orr ..... E01H 1/1206  
 15/104.8  
 D507,082 S \* 7/2005 Miklosovic ..... 294/1.4  
 D564,718 S \* 3/2008 Meyer ..... D30/162  
 D587,893 S \* 3/2009 Hamilton ..... D3/7  
 D924,498 S \* 7/2021 Gao ..... D30/162  
 2012/0080894 A1 \* 4/2012 Williamson ..... A01K 23/005  
 294/1.4  
 2013/0062081 A1 \* 3/2013 Gerent ..... A01B 1/22  
 172/378

\* cited by examiner

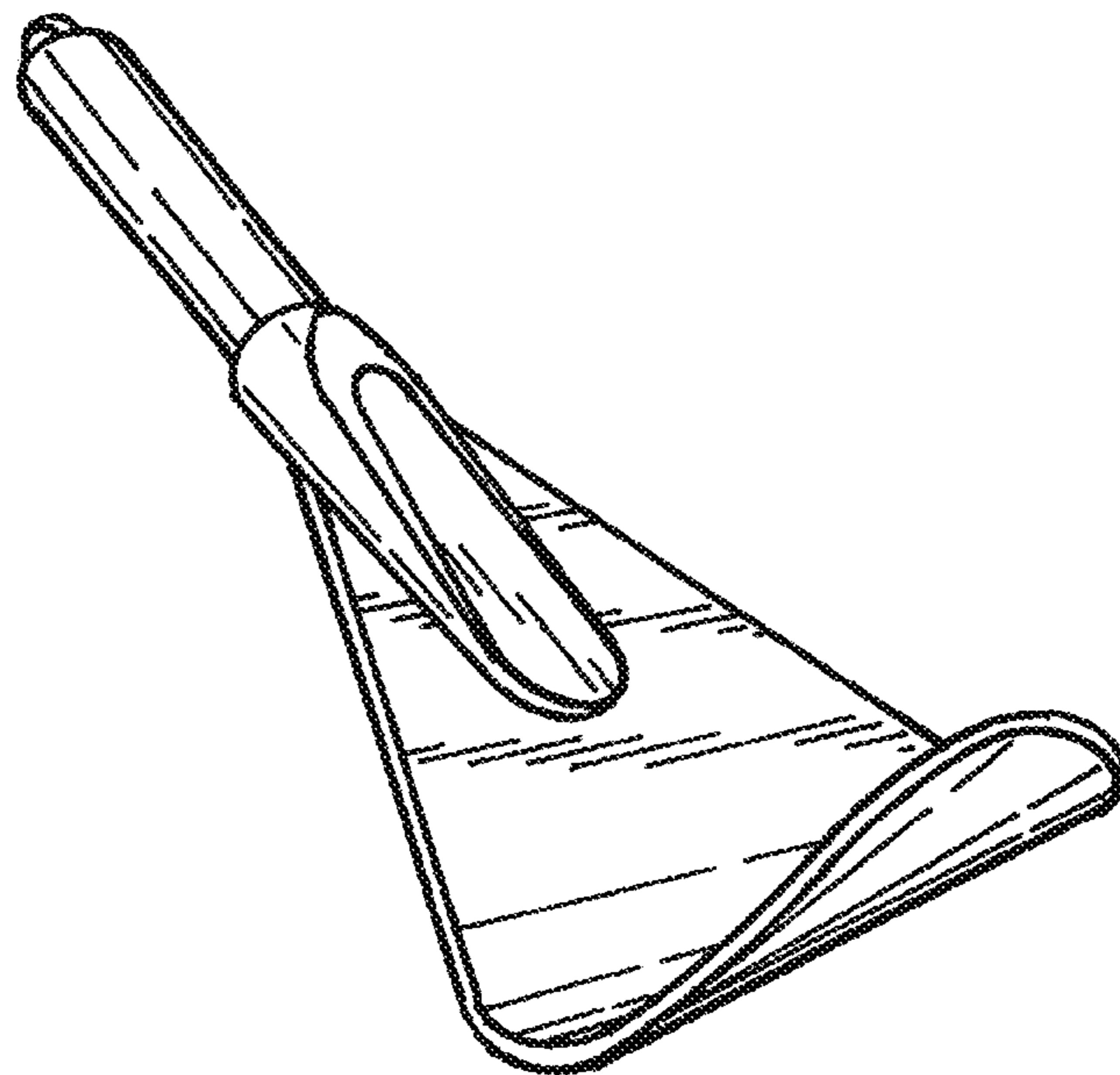


FIG.1

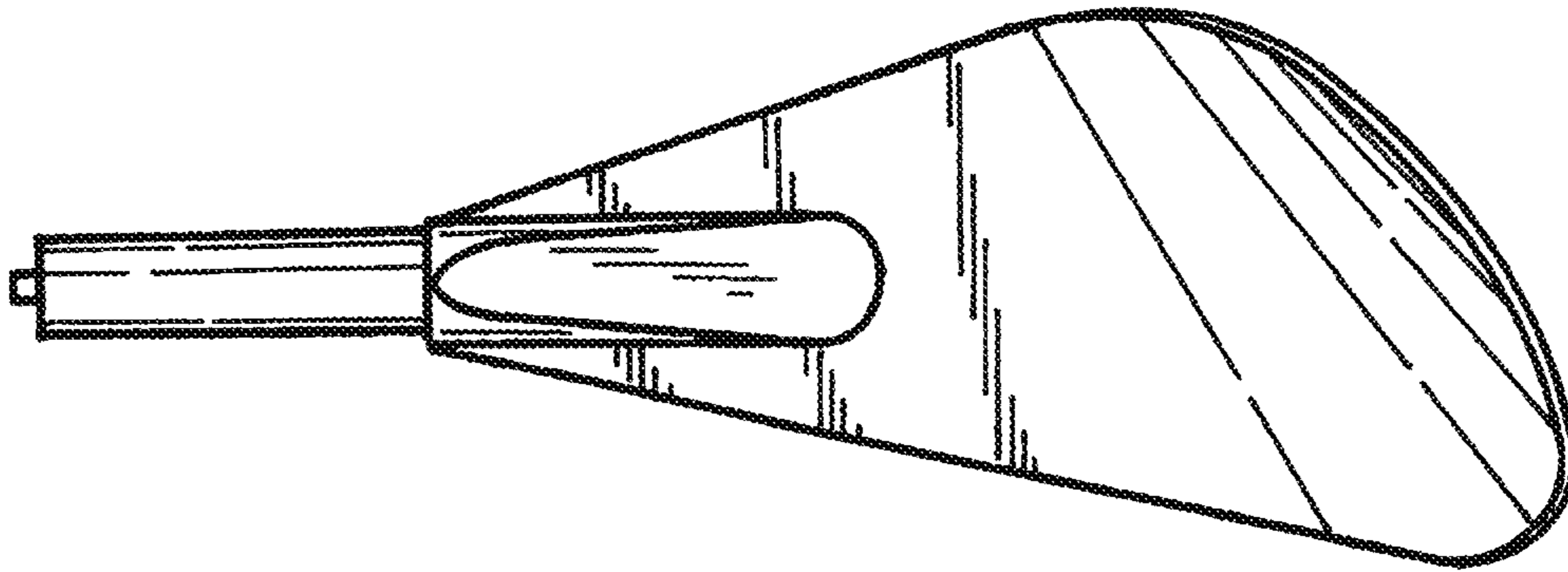


FIG. 2

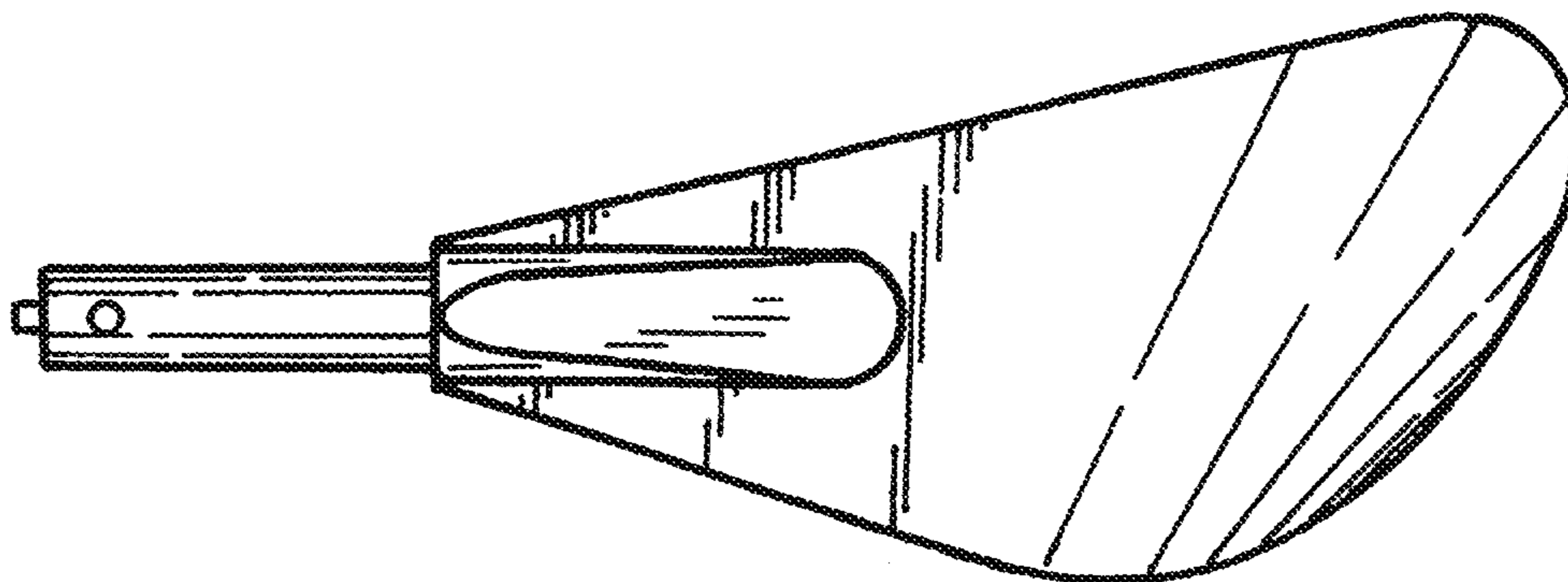


FIG. 3



FIG. 4



FIG. 5

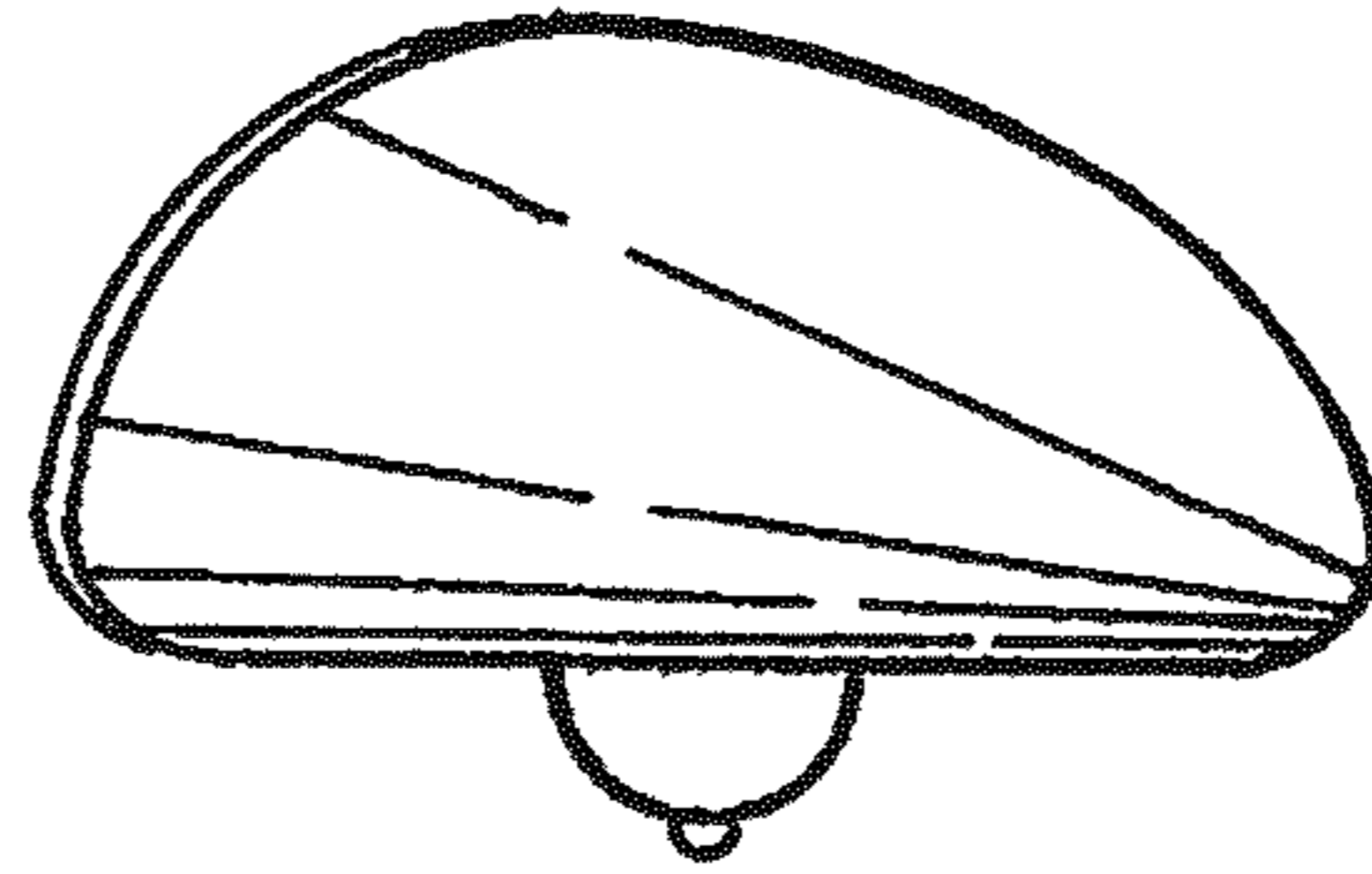


FIG. 6

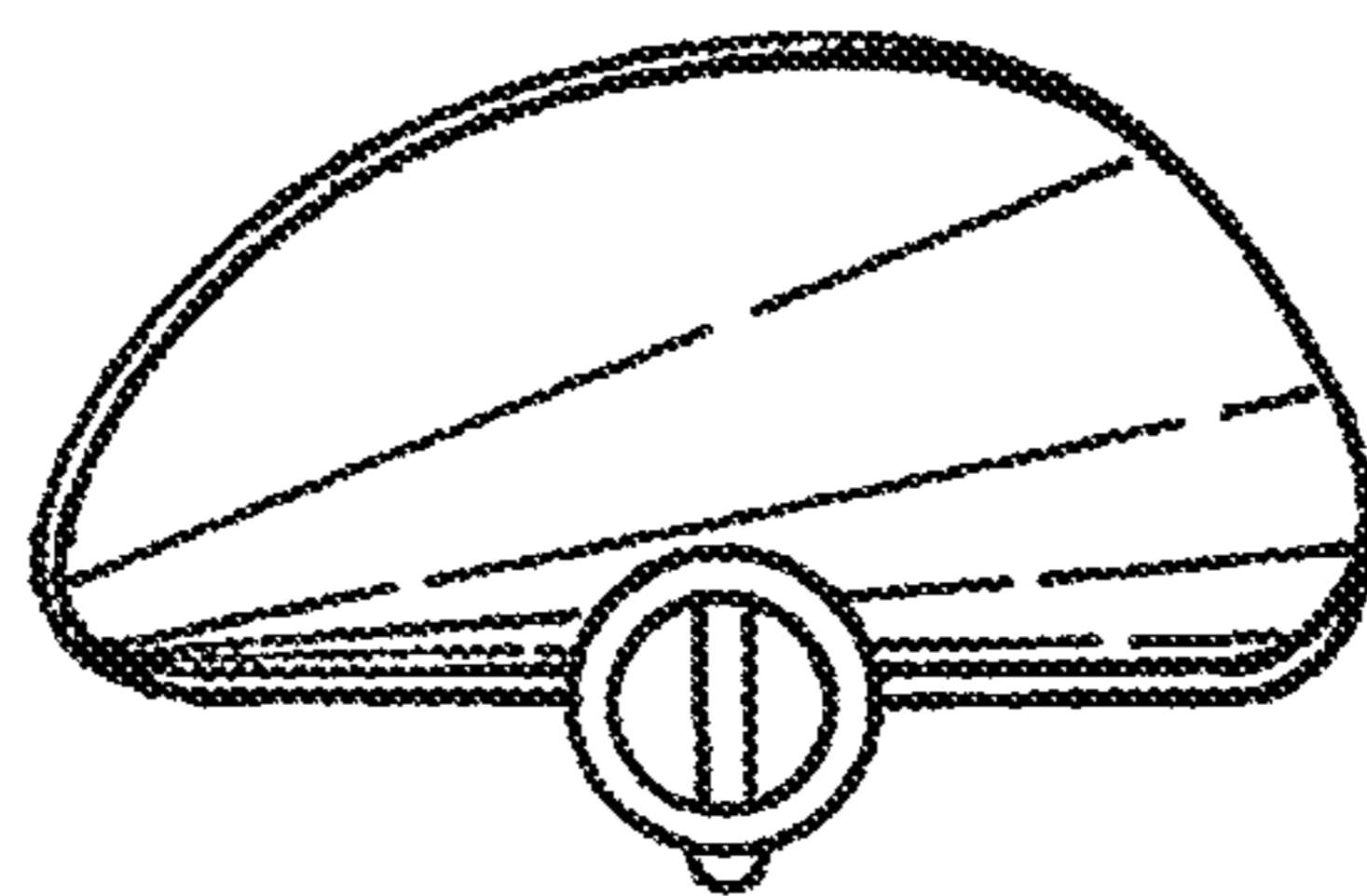


FIG. 7

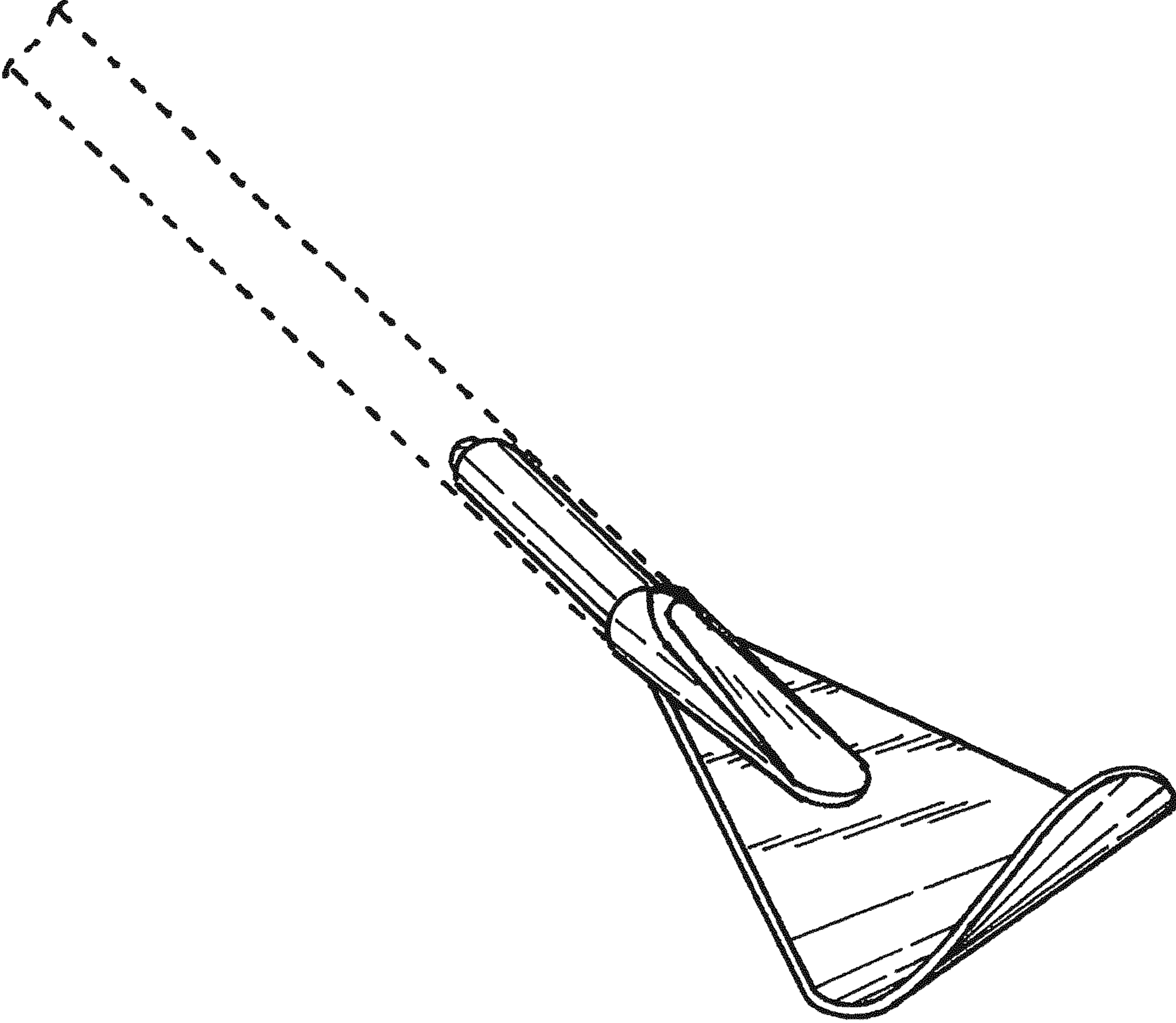


FIG.8