



US00D937502S

(12) **United States Design Patent**  
**Cran et al.**

(10) **Patent No.:** **US D937,502 S**

(45) **Date of Patent:** **\*\* Nov. 30, 2021**

(54) **NAIL FILER**

(71) Applicant: **MAKE GREAT SALES LIMITED,**  
Hong Kong (HK)

(72) Inventors: **Bruce Peter Cran,** Hcmc (VN); **Kin Choi Lee,** Wan Chai (HK)

(73) Assignee: **Make Great Sales Limited**

(\*\*) Term: **15 Years**

(21) Appl. No.: **29/739,564**

(22) Filed: **Jun. 26, 2020**

(51) **LOC (13) Cl.** ..... **30-99**

(52) **U.S. Cl.**  
USPC ..... **D30/158**

(58) **Field of Classification Search**  
USPC ..... D30/158, 199; 119/600, 608, 609, 610,  
119/611, 620  
CPC .. A01K 13/00; A01K 13/002; A01K 13/0002;  
A45D 29/02; A45D 24/007; A45D 29/04;  
A45D 29/05

See application file for complete search history.

(56) **References Cited**

**U.S. PATENT DOCUMENTS**

D596,357 S *	7/2009	Rosen	.....	D30/158
D600,413 S *	9/2009	Khubani	.....	D30/158
D854,257 S *	7/2019	Hollinger	.....	D30/158
D904,698 S *	12/2020	Moeller	.....	D30/158
D909,689 S *	2/2021	Xu	.....	D30/158
D910,937 S *	2/2021	Wei	.....	D30/158
D924,497 S *	7/2021	Wei	.....	D30/158
2007/0186867 A1 *	8/2007	Mulloy	.....	A01K 13/00 119/601

2011/0226270 A1 *	9/2011	Rivera	.....	A45D 29/05 132/73.6
2015/0150353 A1 *	6/2015	Yiu	.....	A45D 29/14 132/75.6
2016/0029768 A1 *	2/2016	Dai	.....	A45D 29/02 30/27
2020/0260689 A1 *	8/2020	Jacobowitz	.....	A01K 13/00

**OTHER PUBLICATIONS**

“PERROPAL Pet Nail Groomer” available Dec. 31, 2020, [online], [site visited Aug. 24, 2021]. Retrieved from Internet, URL:https://www.amazon.com/PERROPAL-Pet-Nail-Groomer-Electric/dp/B08RSRR43D (Year: 2020).\*

\* cited by examiner

*Primary Examiner* — W. A. Teddy Falloway

*Assistant Examiner* — Katrina N Gonzalez

(74) *Attorney, Agent, or Firm* — Cochran Freund & Young, LLC; William O’Meara

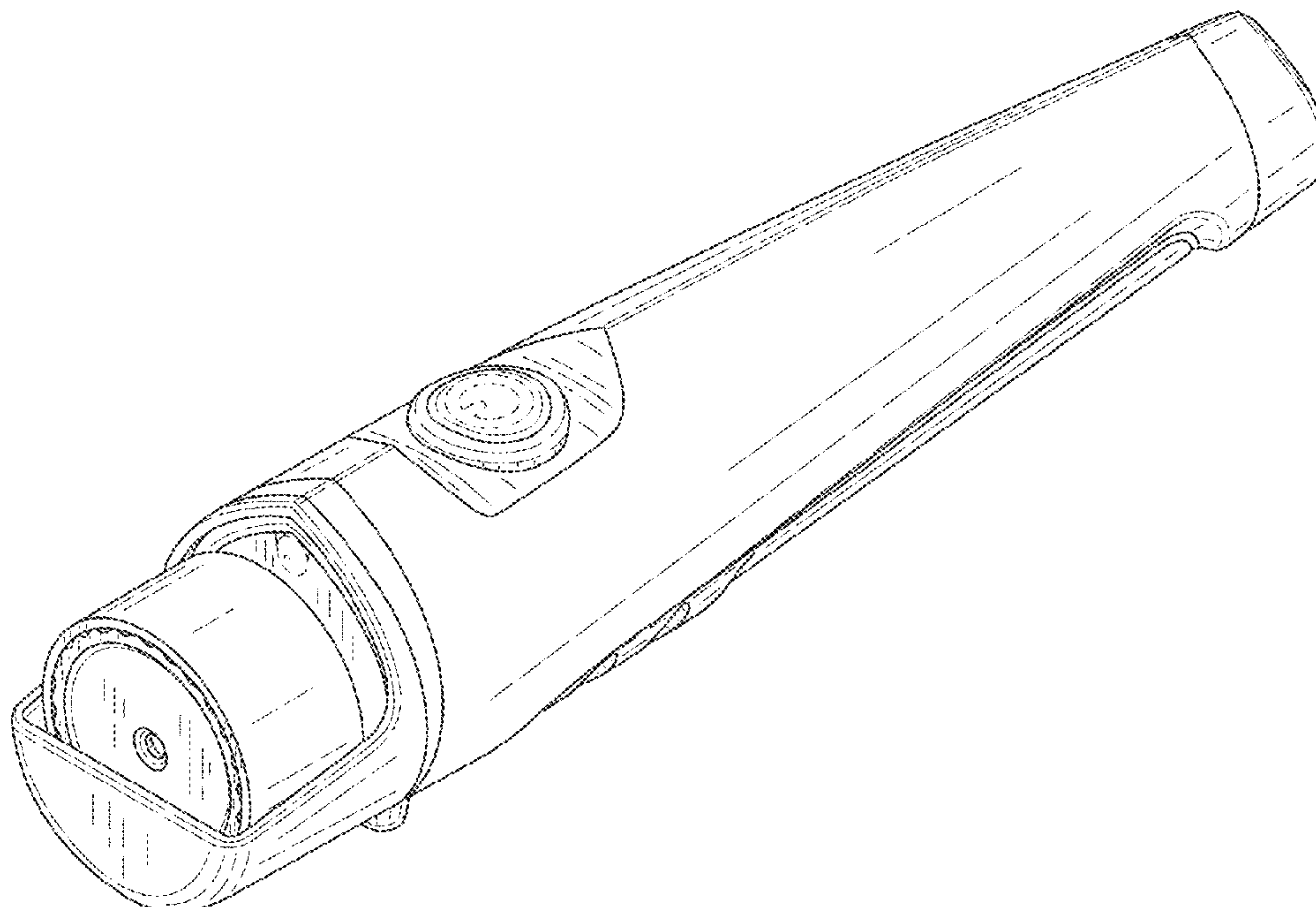
(57) **CLAIM**

The ornamental design for a nail filer, as shown and described.

**DESCRIPTION**

FIG. 1 is a top perspective view showing our design thereof; FIG. 2 is a bottom perspective view; FIG. 3 is a right side view; FIG. 4 is a left side view; FIG. 5 is a top view; FIG. 6 is a bottom plan view; FIG. 7 is a front view; and, FIG. 8 is a rear view thereof. The broken lines illustrate portions of the nail filer that form no part of the claimed design.

**1 Claim, 7 Drawing Sheets**



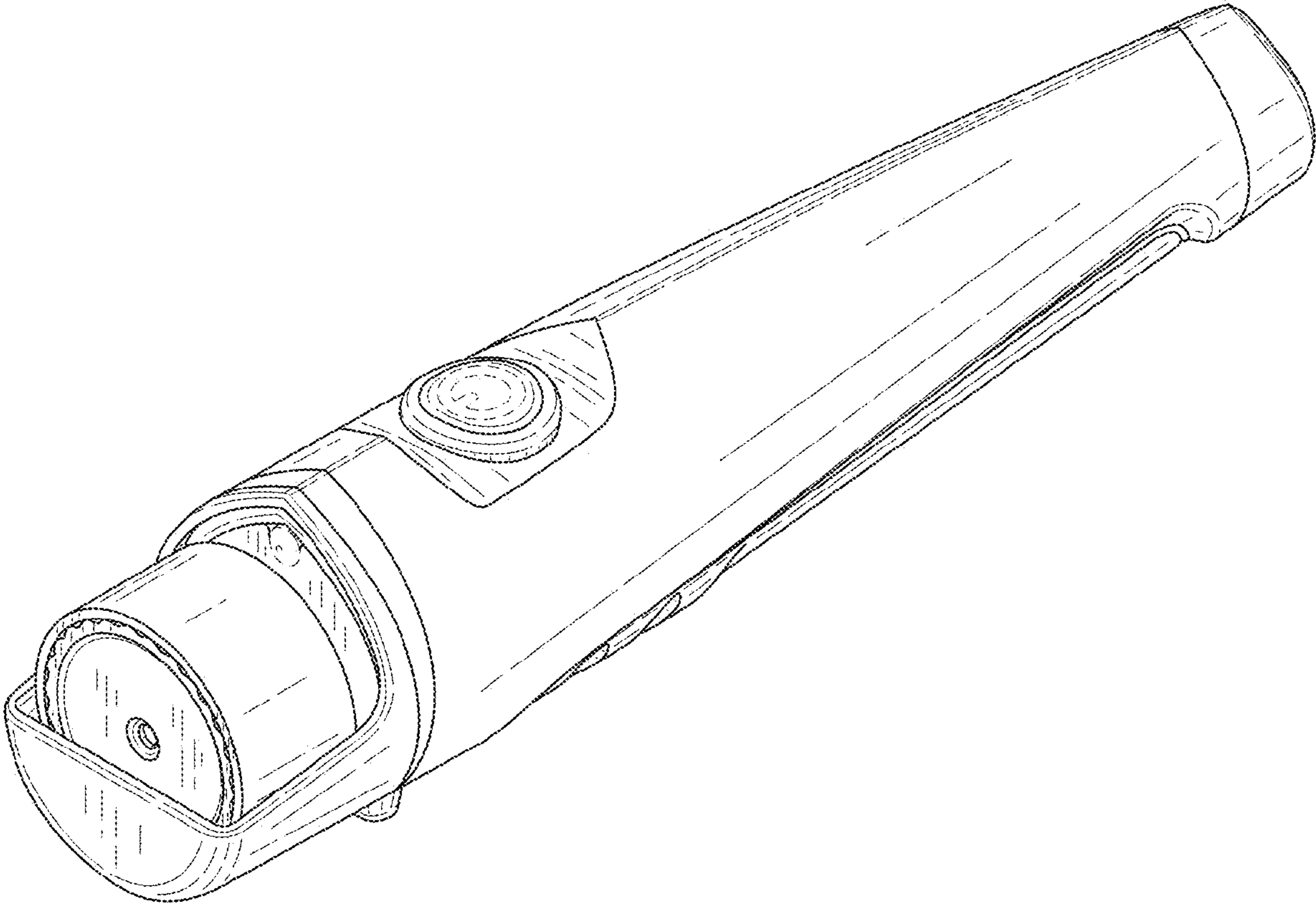


FIG.1

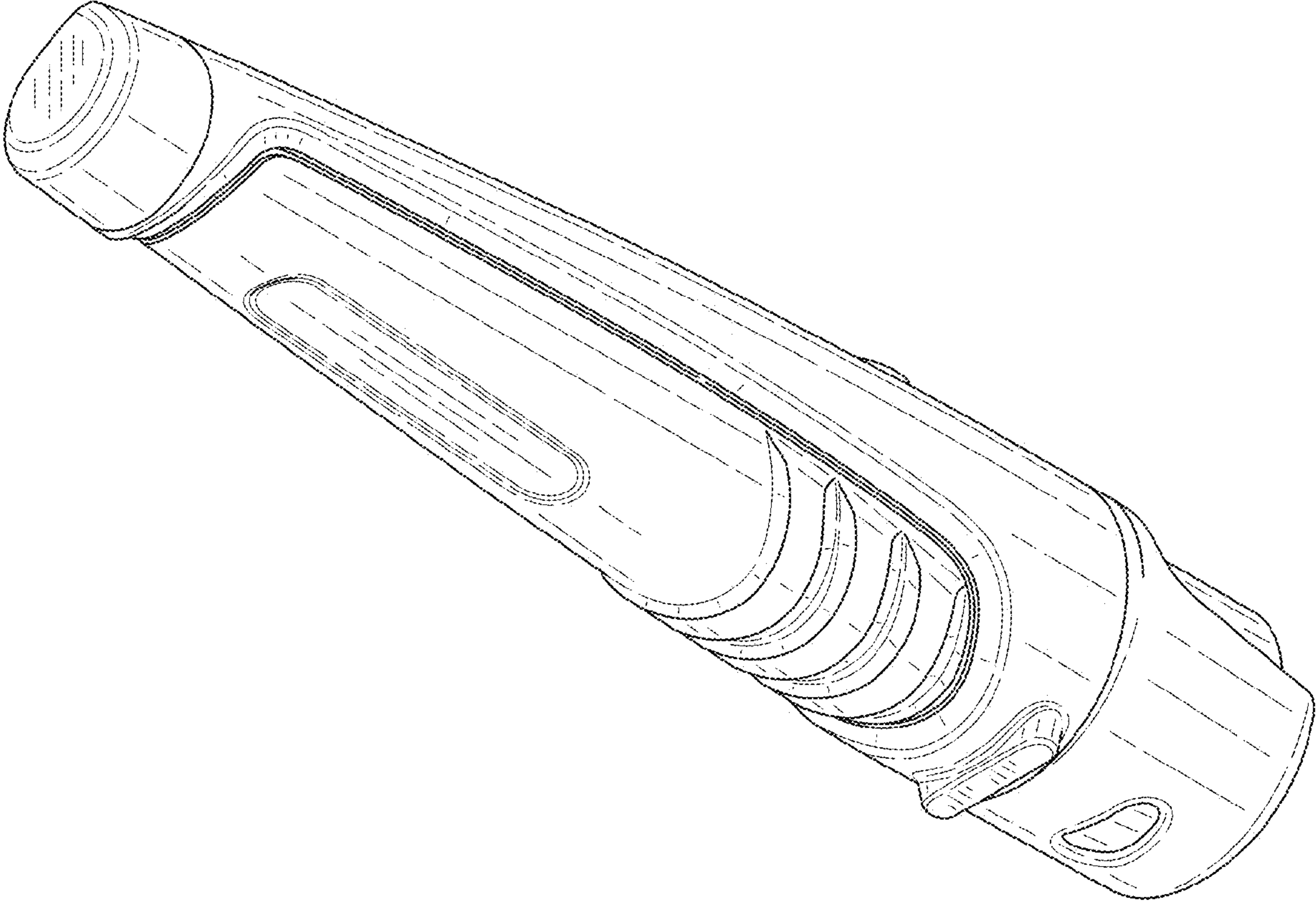


FIG.2

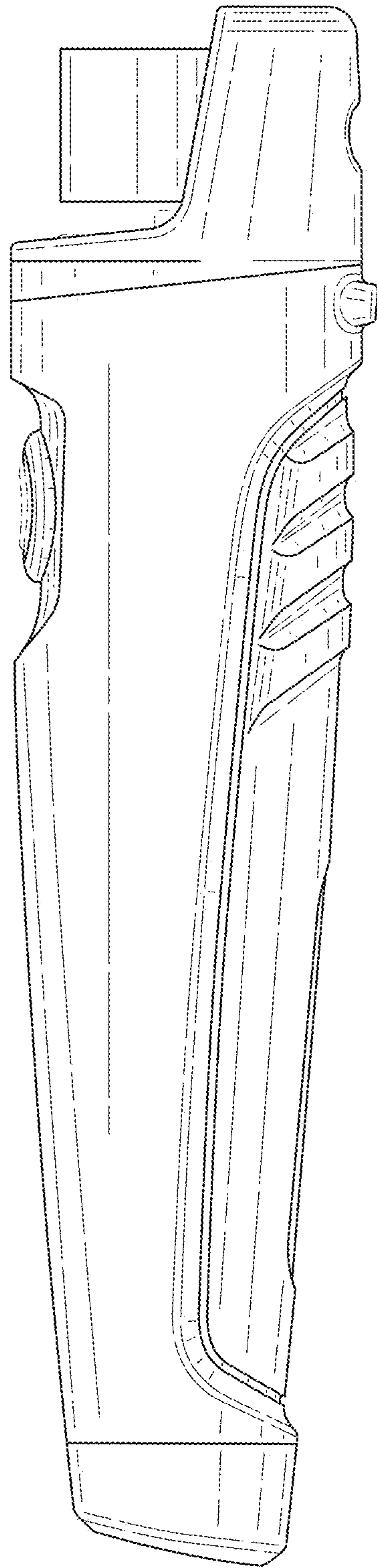


FIG.3



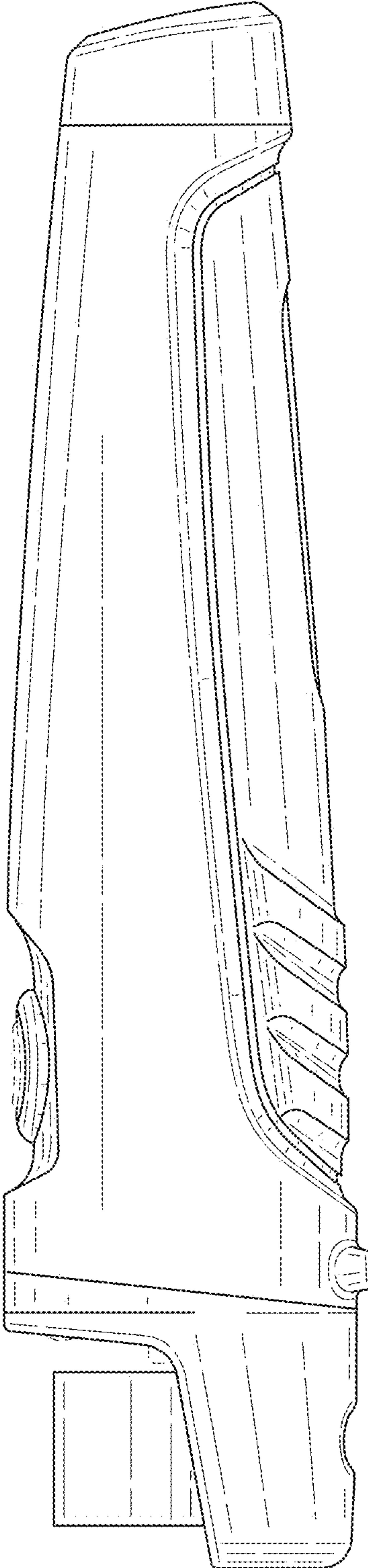


FIG.4

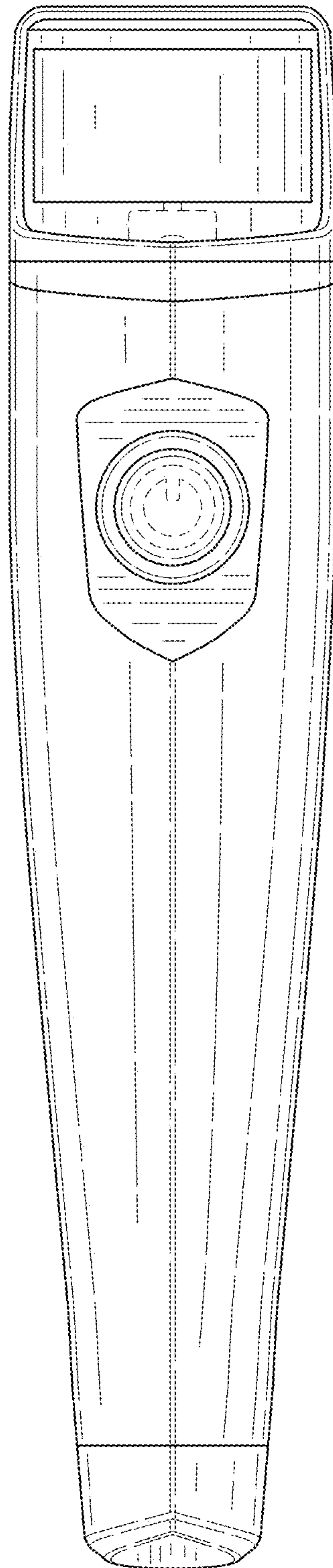


FIG.5

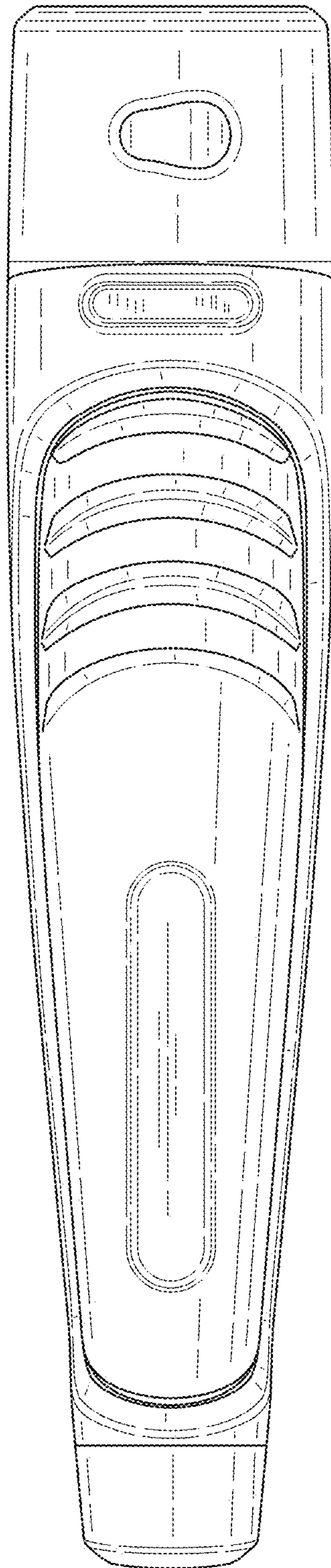


FIG. 6

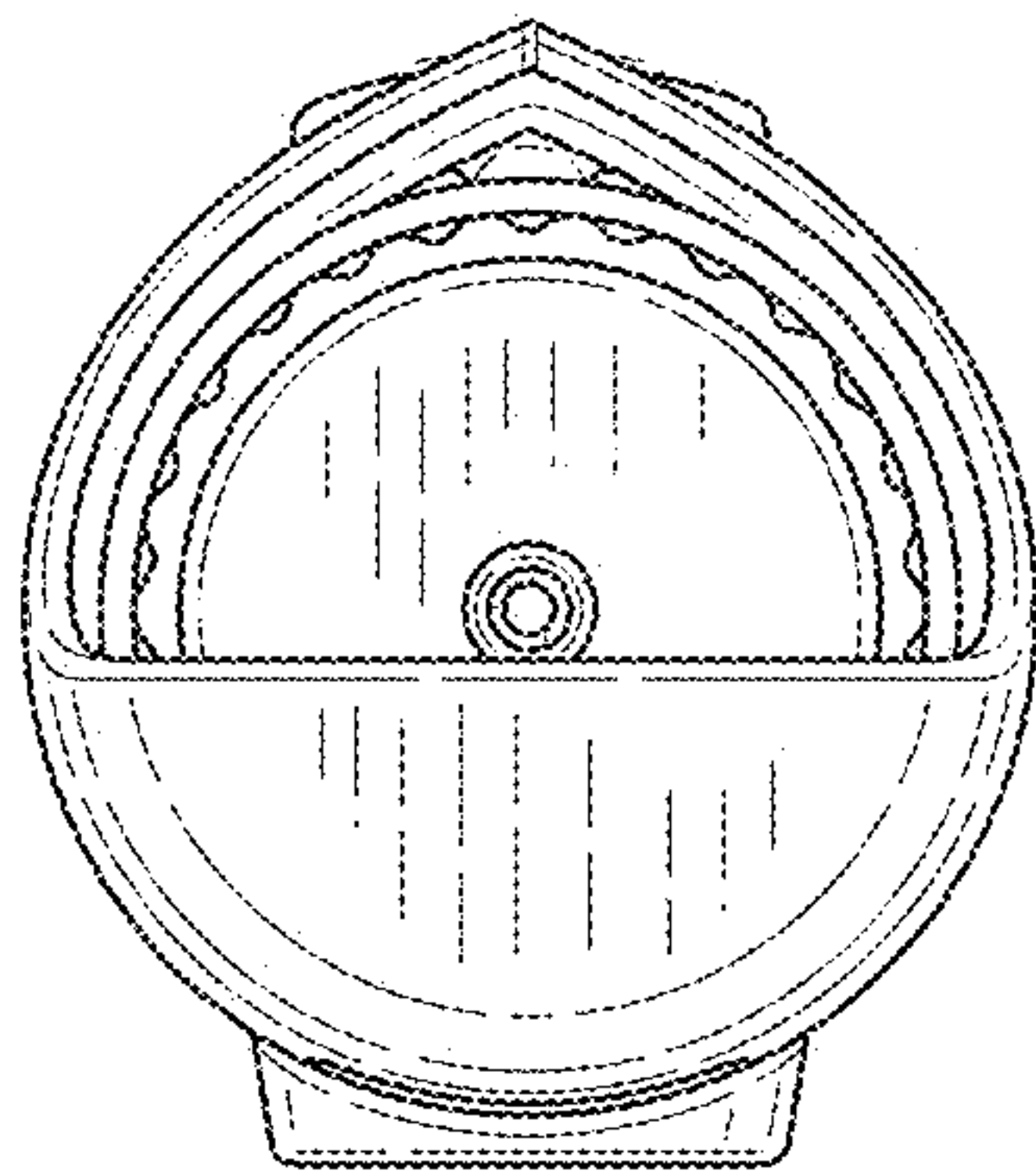


FIG.7

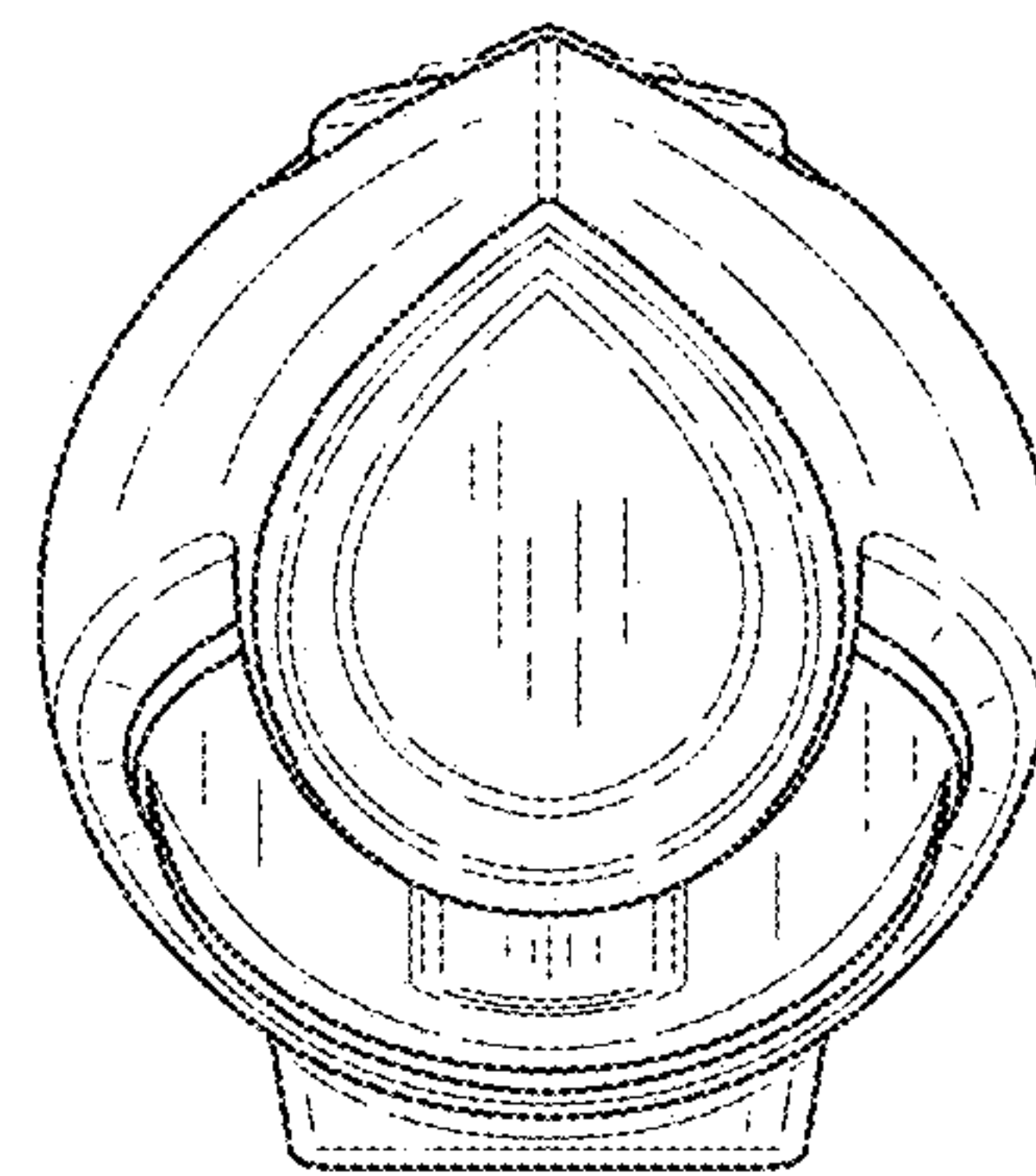


FIG.8