



US00D937501S

(12) **United States Design Patent**
Chen et al.

(10) **Patent No.:** **US D937,501 S**
(45) **Date of Patent:** **** Nov. 30, 2021**

(54) **PET WATER DISPENSER**
(71) Applicant: **SHENZHEN QIANHAI PATUOXUN NETWORK AND TECHNOLOGY CO., LTD.,** Shenzhen (CN)
(72) Inventors: **Qian Chen,** Shenzhen (CN); **Shiwei Ou,** Shenzhen (CN)
(73) Assignee: **SHENZHEN QIANHAI PATUOXUN NETWORK AND TECHNOLOGY CO., LTD.,** Shenzhen (CN)

D739,090 S * 9/2015 Banks D30/121
D757,373 S * 5/2016 Breit D30/129
D830,007 S * 10/2018 Harris A01K 7/027
D30/129
D867,677 S * 11/2019 Danenberg A01K 7/02
D30/121
D891,005 S * 7/2020 Liu D30/129
D894,499 S * 8/2020 Houx D30/129
D917,107 S * 4/2021 Chen A01K 5/0114
D30/132
2014/0076242 A1 * 3/2014 Ho A01K 7/04
119/74
2020/0087135 A1 * 3/2020 Youn A01K 7/027
2020/0091769 A1 * 3/2020 Yoo A01K 7/02

(**) Term: **15 Years**

* cited by examiner

(21) Appl. No.: **29/776,831**

Primary Examiner — Karen S Acker
Assistant Examiner — Jonathan E Fiencke

(22) Filed: **Apr. 1, 2021**

(51) **LOC (13) Cl.** **30-04**

(57) **CLAIM**

(52) **U.S. Cl.**
USPC **D30/132**

The ornamental design for a pet water dispenser, as shown and described.

(58) **Field of Classification Search**
USPC D30/121–133; D23/202, 207, 209, 213, D23/222, 225, 255–256, 272–273
CPC .. A01K 5/0114; A01K 5/0121; A01K 5/0135; A01K 7/005; A01K 7/00; A01K 39/02; F04B 23/00; F04B 23/02; Y10T 137/86035; Y10T 137/8376
See application file for complete search history.

DESCRIPTION

(56) **References Cited**

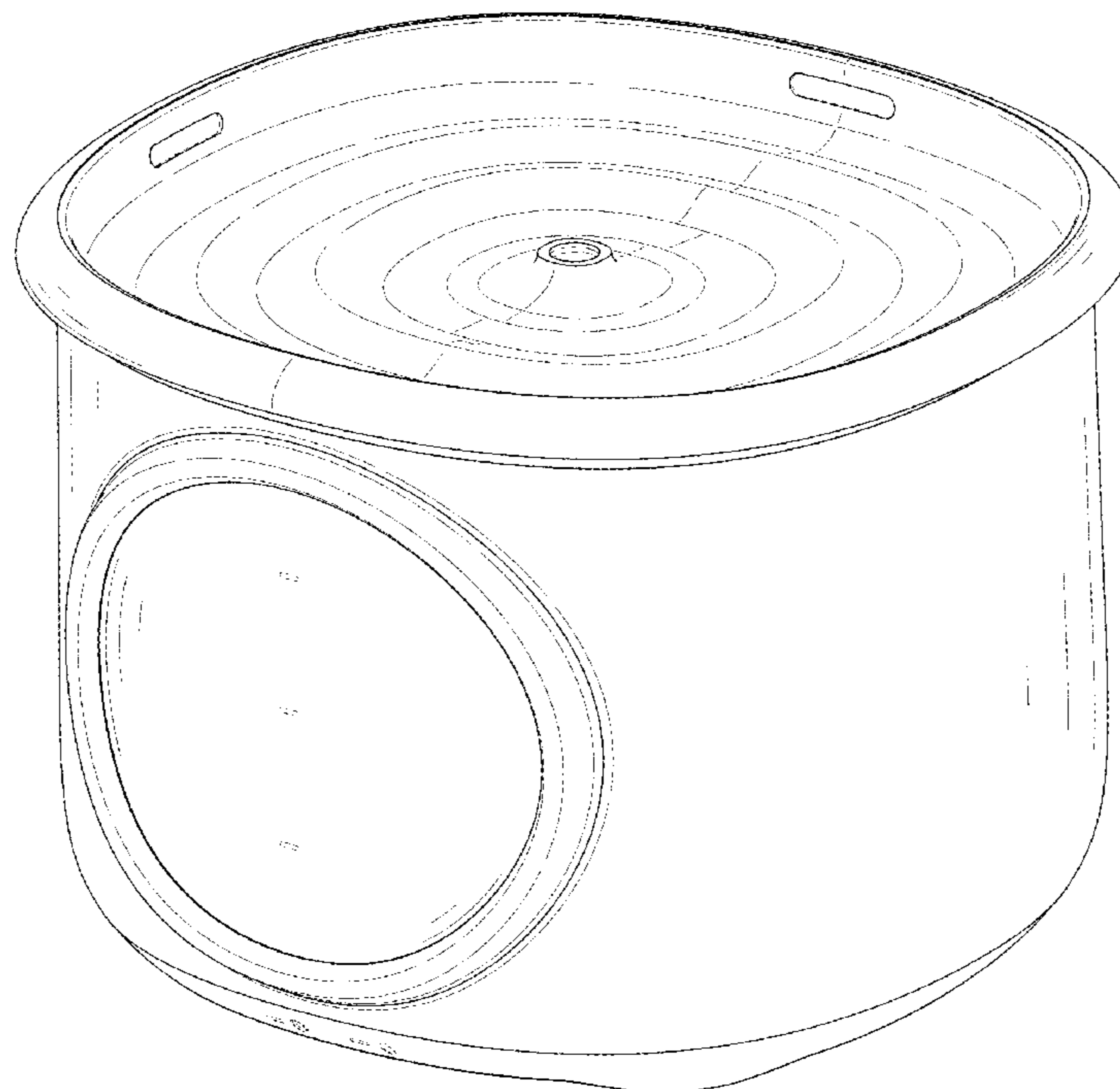
U.S. PATENT DOCUMENTS

D383,571 S * 9/1997 Frodsham D30/108
5,855,185 A * 1/1999 Scott A01K 5/0114
119/61.53
D602,653 S * 10/2009 Mendenhall D30/130

FIG. 1 is a perspective view of a pet water dispenser showing my new design;
FIG. 2 is another perspective view thereof;
FIG. 3 is a front elevational view thereof;
FIG. 4 is a rear elevational view thereof;
FIG. 5 is a left side elevation& view thereof;
FIG. 6 is a right side elevational view thereof;
FIG. 7 is a top plan view thereof; and,
FIG. 8 is a bottom plan view thereof.

The broken lines in the drawings depict portions of the pet water dispenser that form no part of the claimed design.

1 Claim, 8 Drawing Sheets



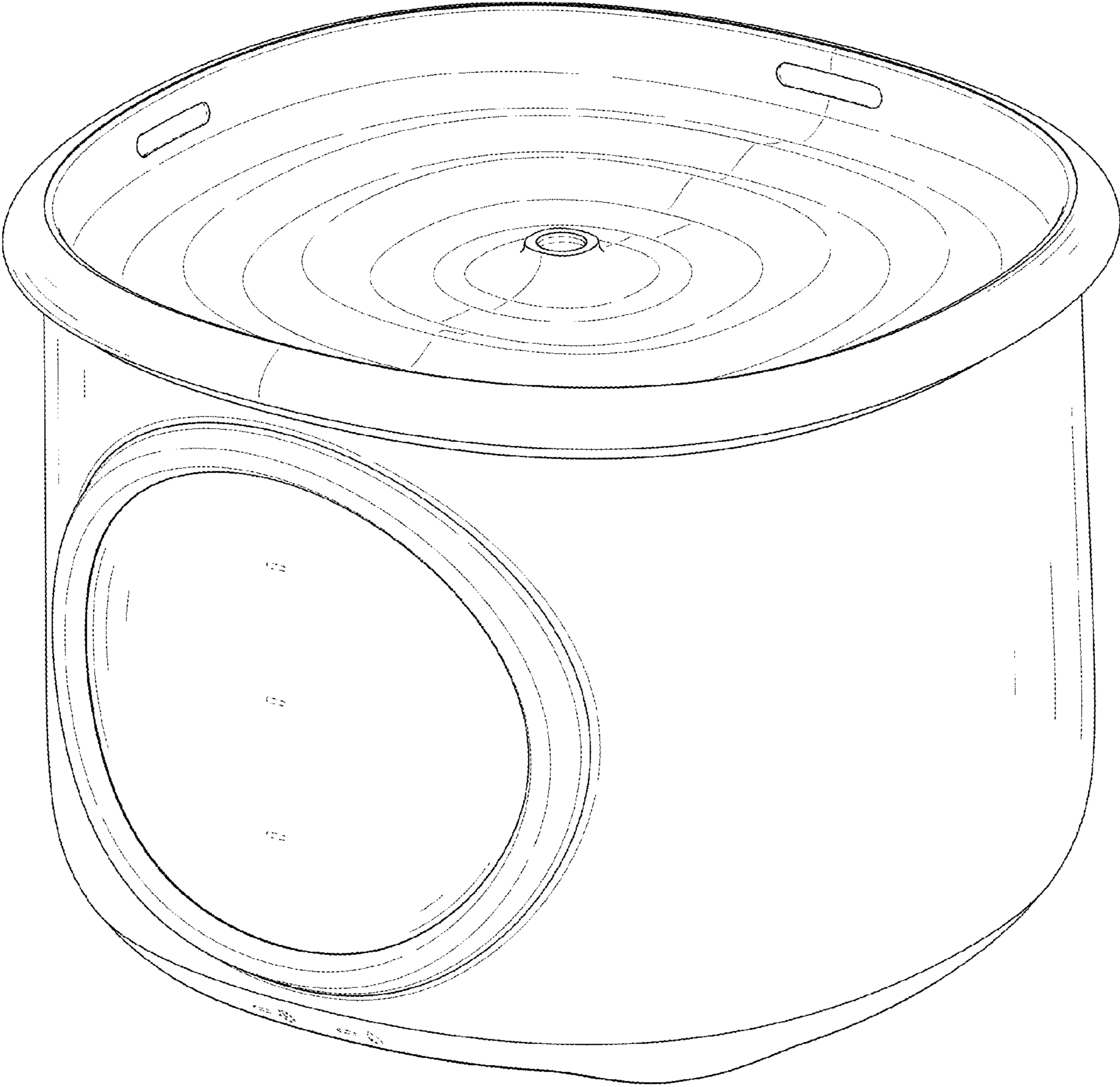


FIG. 1

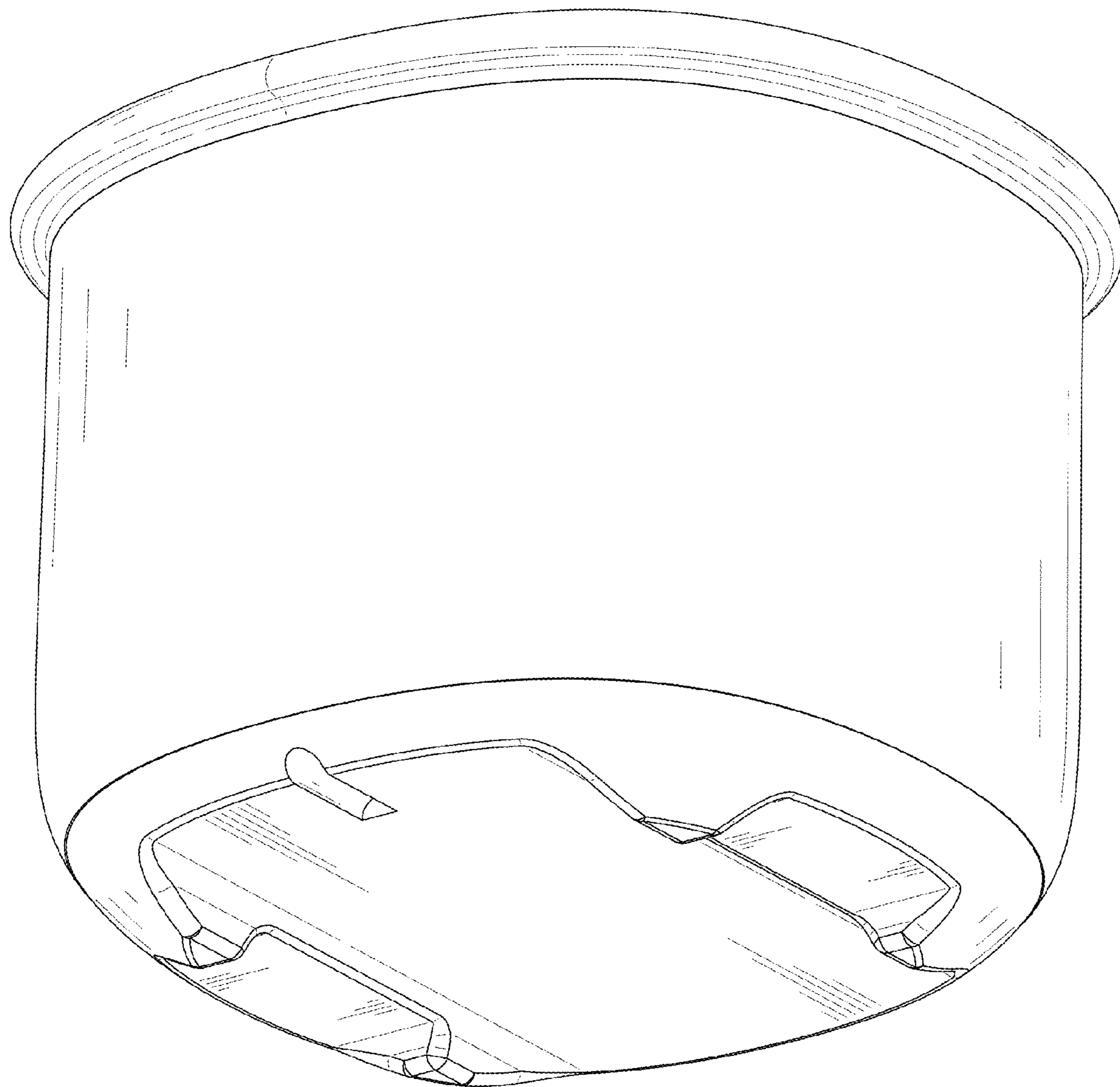


FIG. 2

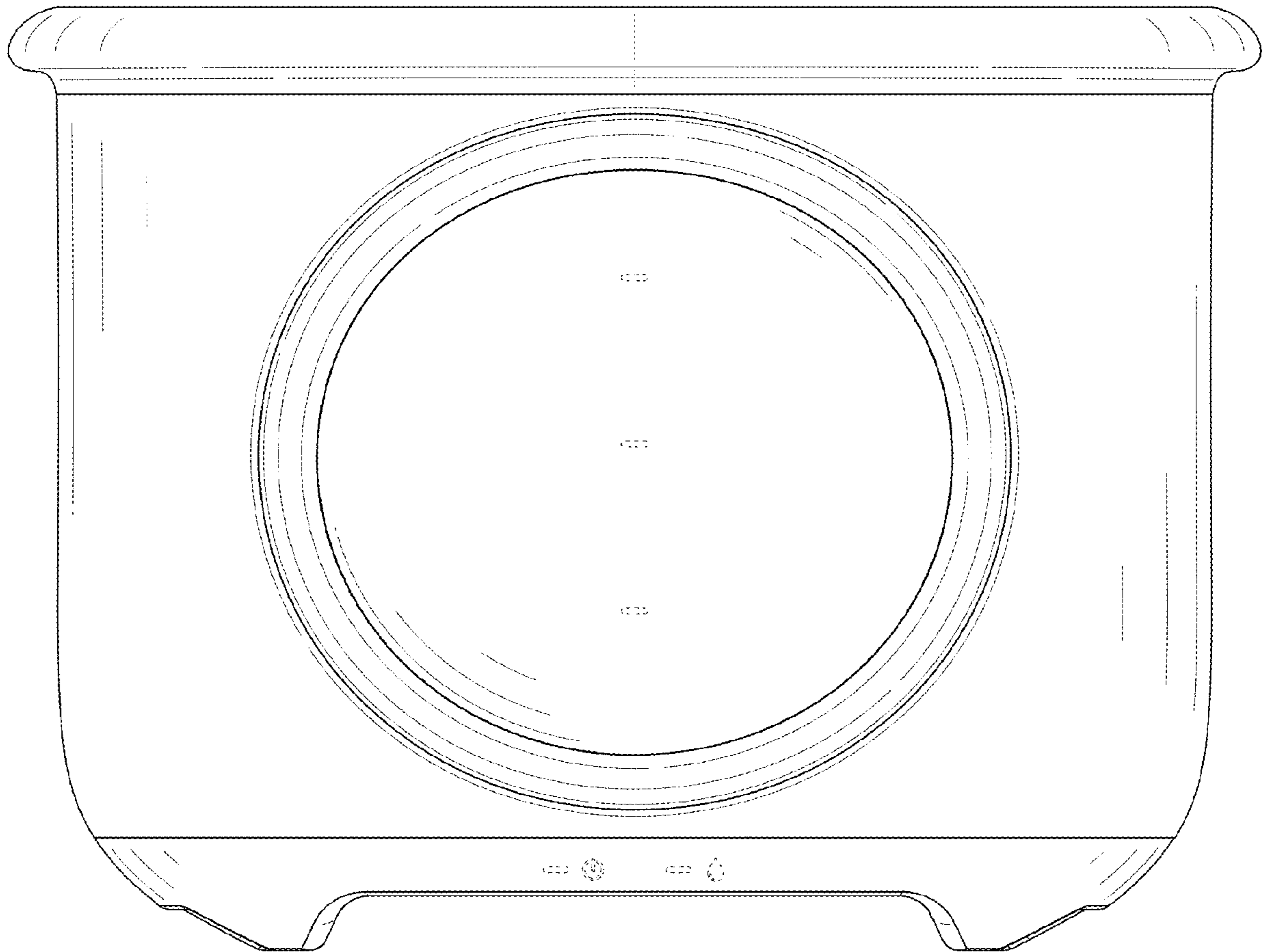


FIG. 3

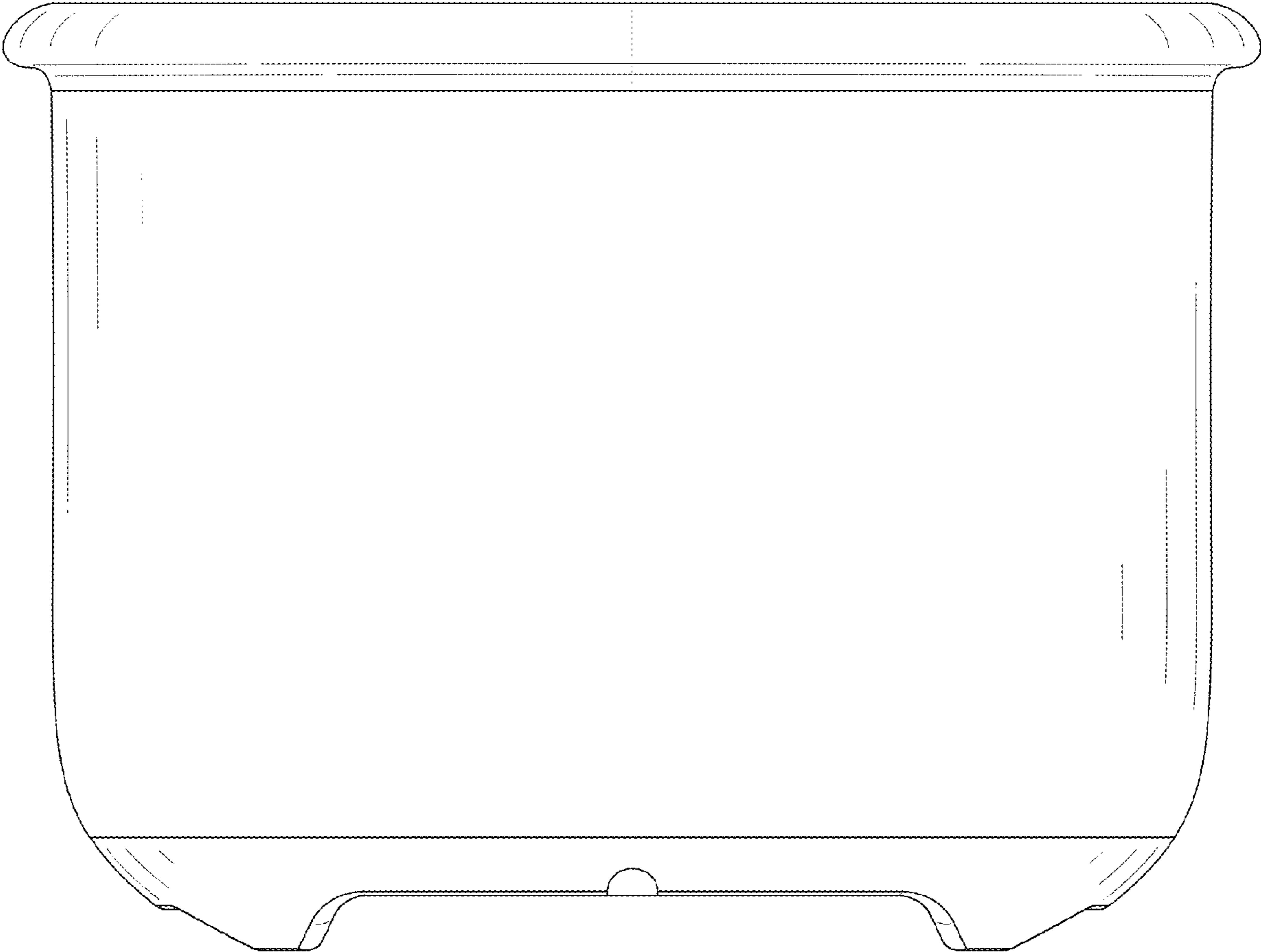


FIG. 4

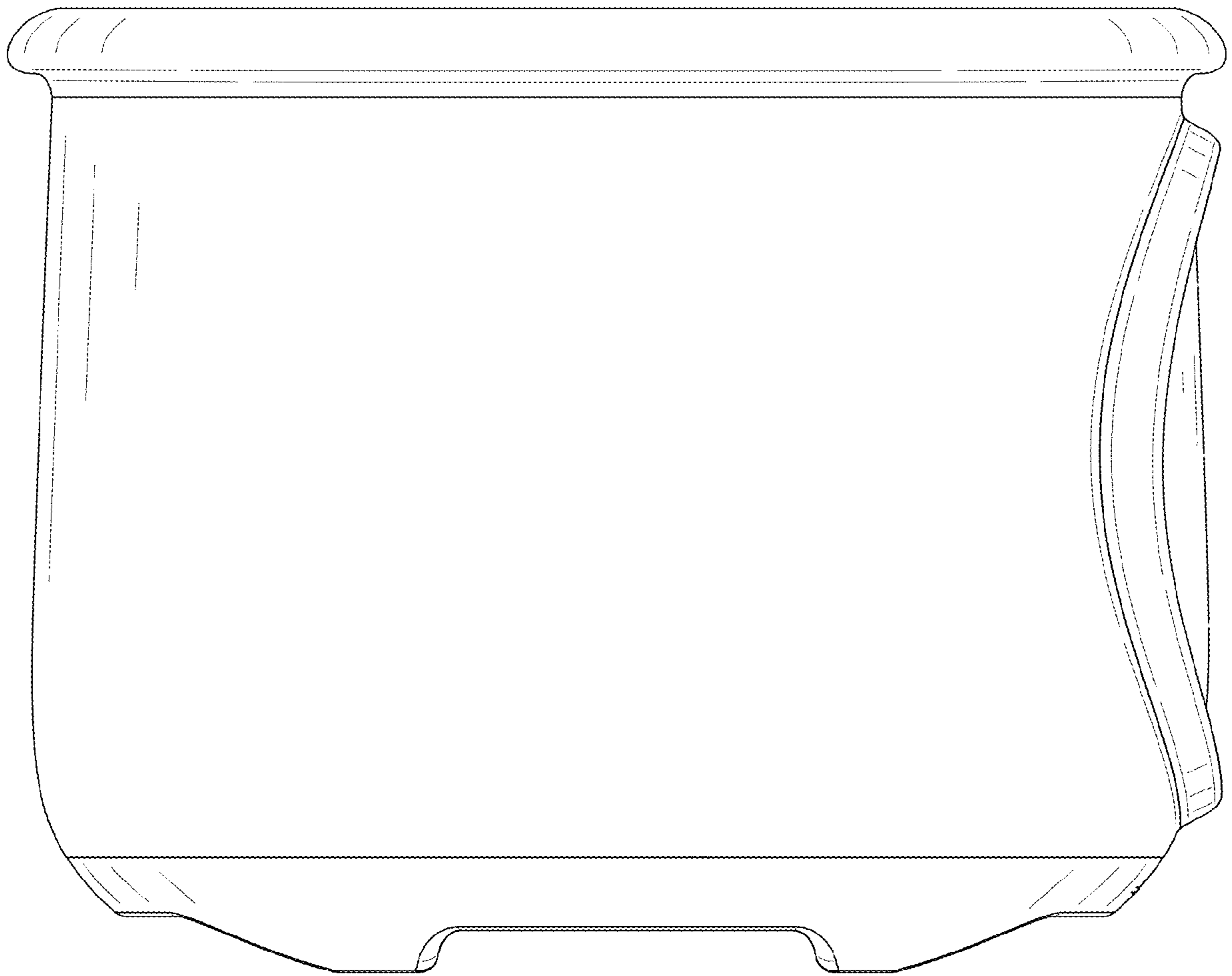


FIG. 5

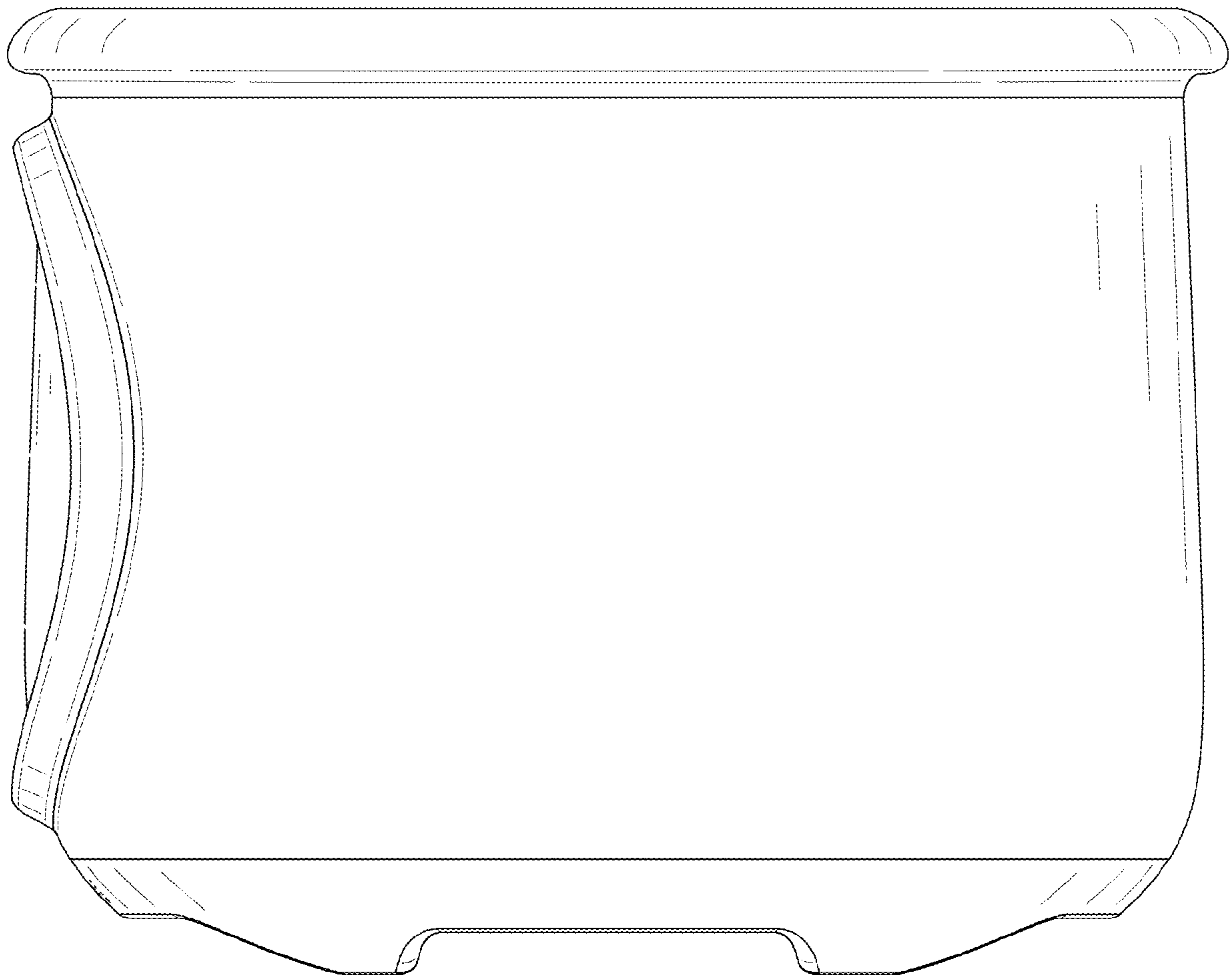


FIG. 6

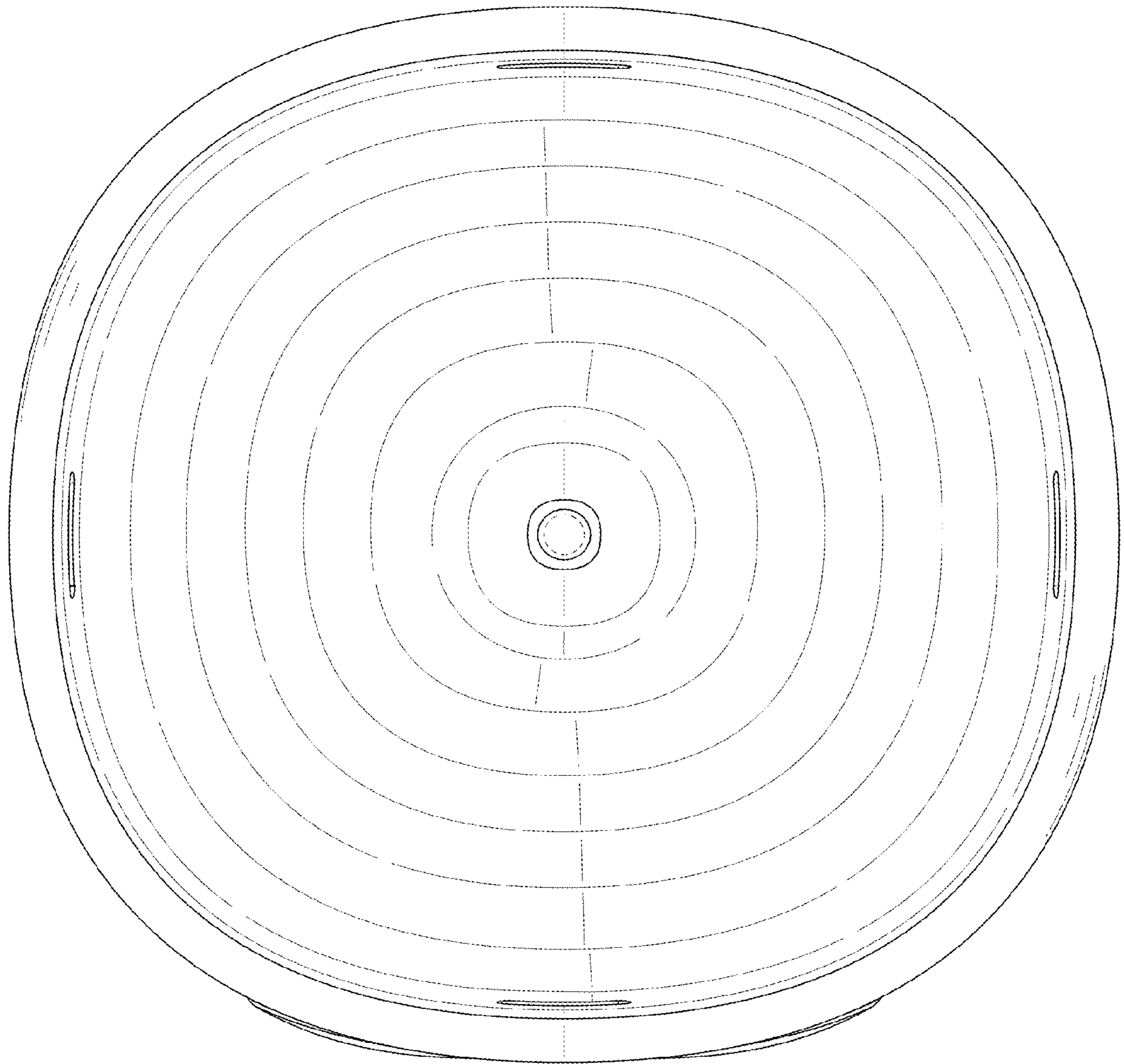


FIG. 7

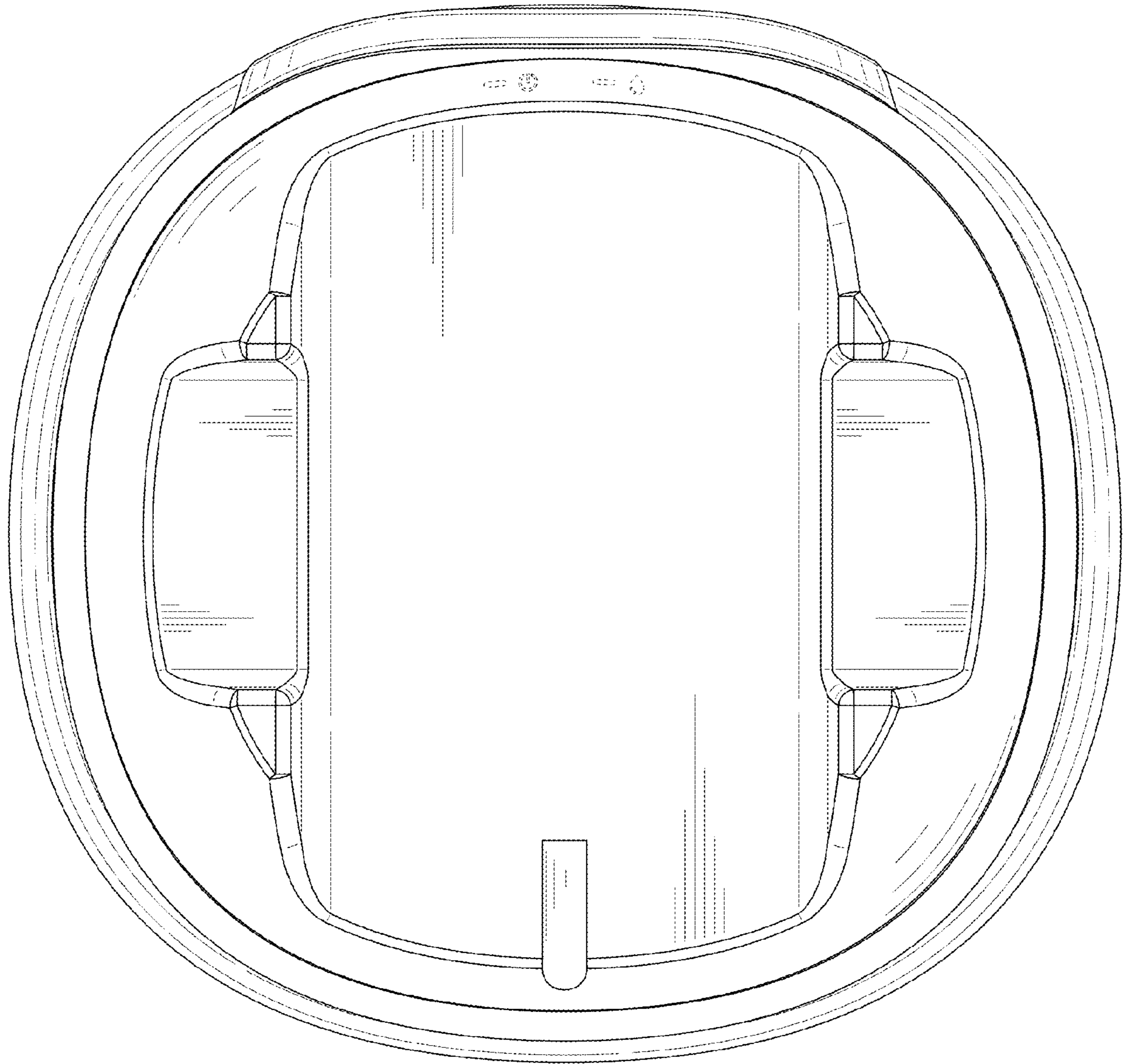


FIG. 8