



US00D937495S

(12) **United States Design Patent**  
**Wang**

(10) **Patent No.:** **US D937,495 S**  
(45) **Date of Patent:** **\*\* Nov. 30, 2021**

(54) **WRESTLING EAR GUARD WITH  
DETACHABLE MOUTH GUARD**

(71) Applicant: **Raymond Zirei Wang**, Petaluma, CA  
(US)

(72) Inventor: **Raymond Zirei Wang**, Petaluma, CA  
(US)

(73) Assignee: **Raymond Zirei Wang**, Petaluma, CA  
(US)

(\*\*) Term: **15 Years**

(21) Appl. No.: **29/753,983**

(22) Filed: **Oct. 5, 2020**

(51) **LOC (13) Cl.** ..... **29-02**

(52) **U.S. Cl.**

USPC ..... **D29/106; D29/112**

(58) **Field of Classification Search**

USPC ..... D29/106, 108, 112

CPC ..... A63B 71/08; A63B 71/081; A63B 71/10;

A63B 2244/108; A42B 3/16

See application file for complete search history.

(56) **References Cited**

**U.S. PATENT DOCUMENTS**

2,277,994	A *	3/1942	Roberts	.....	A63B 71/10 2/421
2,886,818	A *	5/1959	Raymond	.....	A63B 71/10 2/421
2,898,596	A *	8/1959	Keen	.....	A63B 71/10 2/421
3,311,921	A *	4/1967	Helm	.....	A63B 71/10 2/421
3,327,316	A *	6/1967	Pukish, Jr.	.....	A63B 71/10 2/421
3,513,482	A *	5/1970	Holden	.....	A63B 71/10 2/421
3,541,611	A *	11/1970	Beguin	.....	A61F 11/14 2/209
3,628,191	A *	12/1971	Douglas	.....	A63B 71/10 2/421

(Continued)

**OTHER PUBLICATIONS**

Best Wrestling Headgear Reviews of 2018-2019 (on-line), dated Feb. 22, 2018. Retrieved from Internet Apr. 1, 2021, URL: <https://www.bestoninternet.com/sports-and-fitness/outdoors/wrestling-headgear-reviews/> (5 pages) (Year: 2018).\*

(Continued)

*Primary Examiner* — Kimberly Barnes

(57) **CLAIM**

The ornamental design for a wrestling ear guard with a detachable mouth guard, as shown and described.

**DESCRIPTION**

FIG. 1 is a perspective view of a wrestling ear guard with detachable mouth guard showing my new design in a position of use and the mouth guard in a detached state;

FIG. 2 shows a front view of the wrestling ear guard with detachable mouth guard in the detached state;

FIG. 3 shows a back view of the wrestling ear guard with detachable mouth guard in a detached state;

FIG. 4 shows a left view of the wrestling ear guard with detachable mouth guard in an attached state;

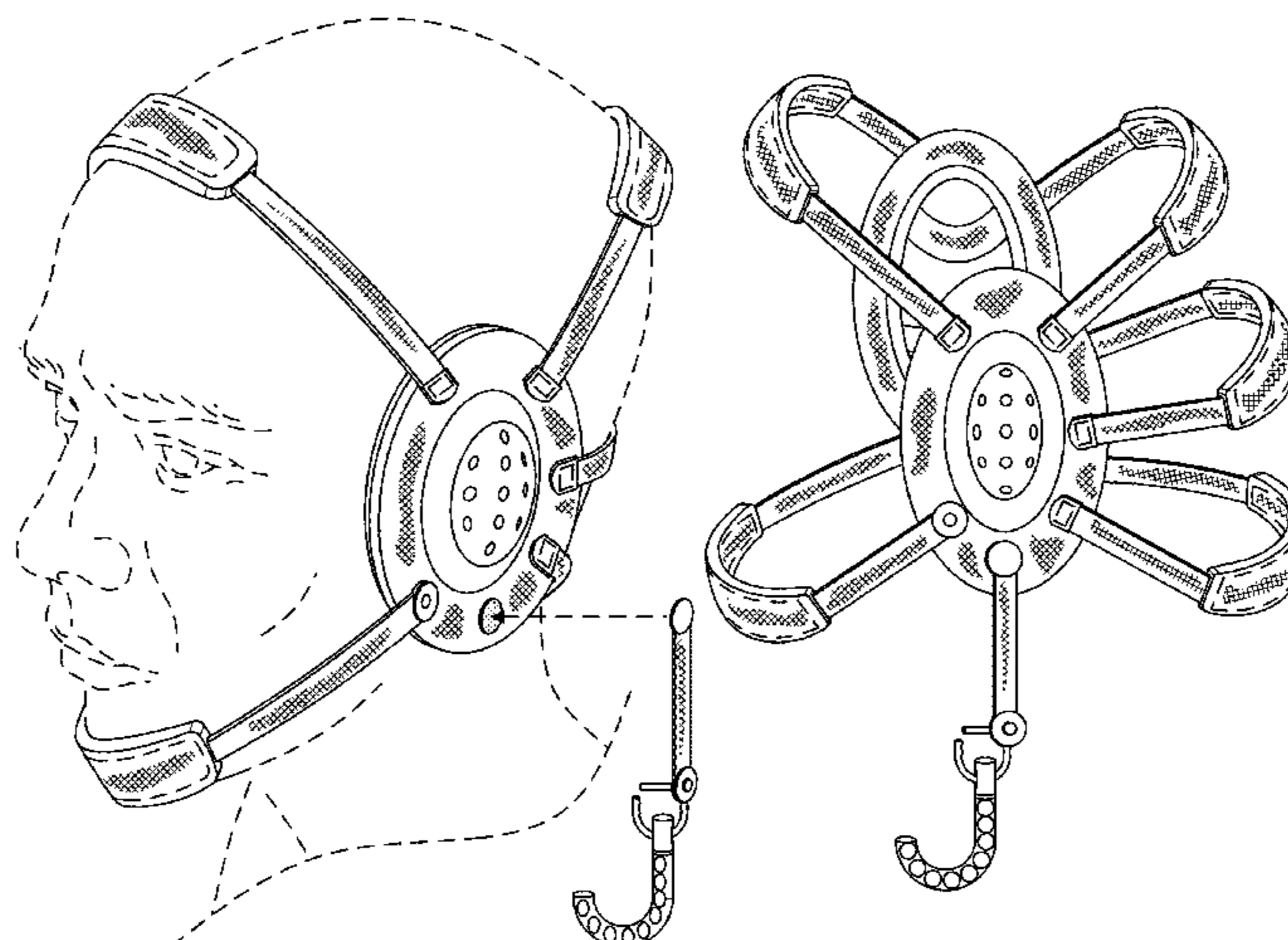
FIG. 5 shows a right view of the wrestling ear guard with detachable mouth guard in the attached state;

FIG. 6 shows a top view of the wrestling ear guard with detachable mouth guard in a detached state; and,

FIG. 7 shows a bottom view of the wrestling ear guard with detachable mouth guard in a detached state.

The broken lines in the FIGS. 1-3 and 6 depicting a wearer's head represents environmental subject matter that forms no part of the claimed design. The lines of stitching on the wrestling ear guard with detachable mouth guard itself form a part of the claimed design.

**1 Claim, 7 Drawing Sheets**



(56)

References Cited

U.S. PATENT DOCUMENTS

4,279,037 A \* 7/1981 Morgan ..... A42B 3/08  
2/421  
4,791,941 A 12/1988 Schaefer  
4,821,345 A \* 4/1989 Marchello ..... A63B 71/10  
2/209  
5,235,991 A 8/1993 Minneman  
5,504,945 A \* 4/1996 Purnell ..... A63B 71/10  
2/209  
D384,774 S \* 10/1997 Tsujino ..... D29/106  
5,685,021 A \* 11/1997 Tsujino ..... A63B 71/10  
2/209  
D443,730 S 6/2001 Tsujino  
D444,270 S \* 6/2001 Tsujino ..... D29/106  
6,289,522 B1 \* 9/2001 Jones ..... A42B 3/16  
2/423  
6,418,565 B1 7/2002 Tsujino  
D469,928 S \* 2/2003 Keen ..... D29/112  
6,564,395 B2 \* 5/2003 Keen ..... A63B 71/10  
2/425  
6,782,558 B1 \* 8/2004 Keen, Sr. .... A42B 3/16  
2/421  
D499,847 S 12/2004 Coutant et al.  
D500,179 S \* 12/2004 Coutant ..... D29/112

D500,894 S \* 1/2005 Coutant ..... D29/106  
7,197,773 B2 4/2007 Purnell  
D548,404 S \* 8/2007 Purnell ..... D29/112  
7,305,990 B2 12/2007 Mathias  
7,882,839 B2 2/2011 Ambis, Jr.  
8,291,520 B2 \* 10/2012 Lukens ..... A63B 71/10  
2/423  
2014/0289936 A1 \* 10/2014 Schalles ..... A63B 71/10  
2/410  
2014/0331393 A1 \* 11/2014 DaSilva ..... A42B 3/08  
2/414  
2015/0216251 A1 \* 8/2015 Marchello ..... A61F 11/06  
2/423

OTHER PUBLICATIONS

Matman Ultra Gard Earguard—#36 (on-line), dated Sep. 7, 2015.  
Retrieved from Internet Apr. 1, 2021, URL: <https://web.archive.org/web/20150907232928/https://www.wrestlersupply.com/matman-ultra-gard-earguard-36/> (1 page) (Year: 2015).\*  
9 Best Wrestling Headgear 2018—YouTube (on-line), dated Apr. 28, 2018. Retrieved from Internet Apr. 1, 2021, URL: <https://www.youtube.com/watch?v=ae0P3w0mlwg> (1 page) (Year: 2018).\*

\* cited by examiner

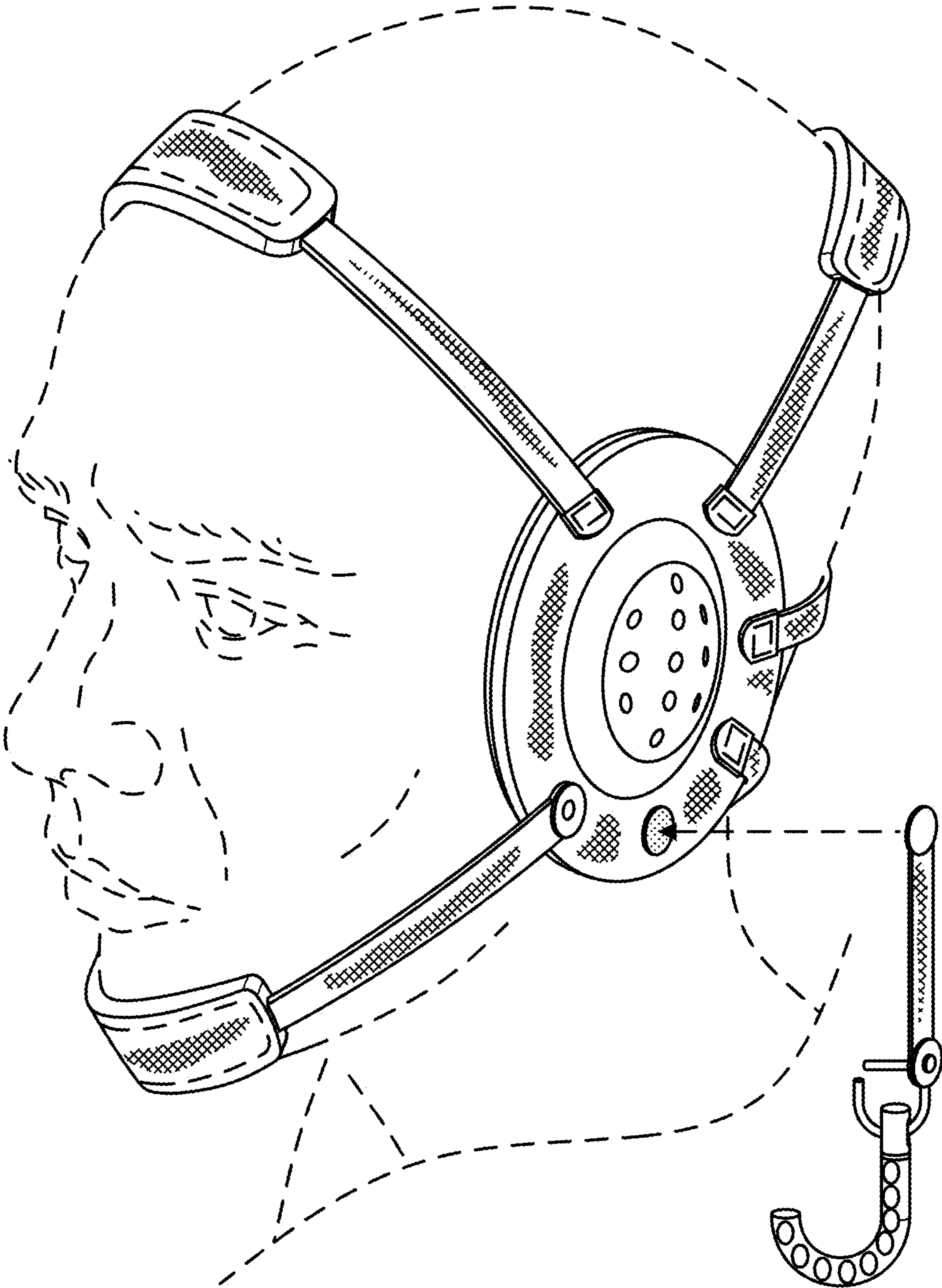


FIG. 1



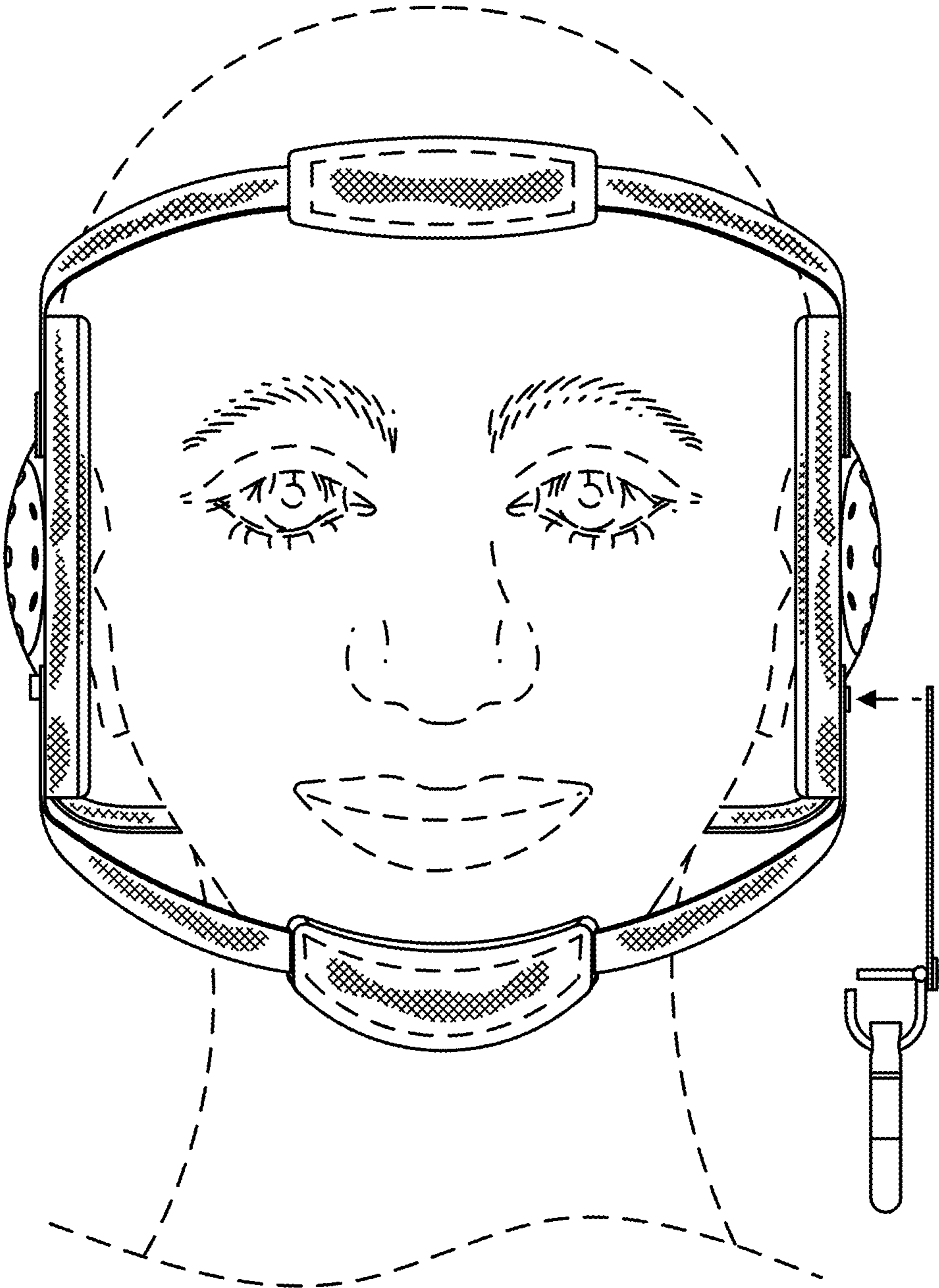


FIG. 2

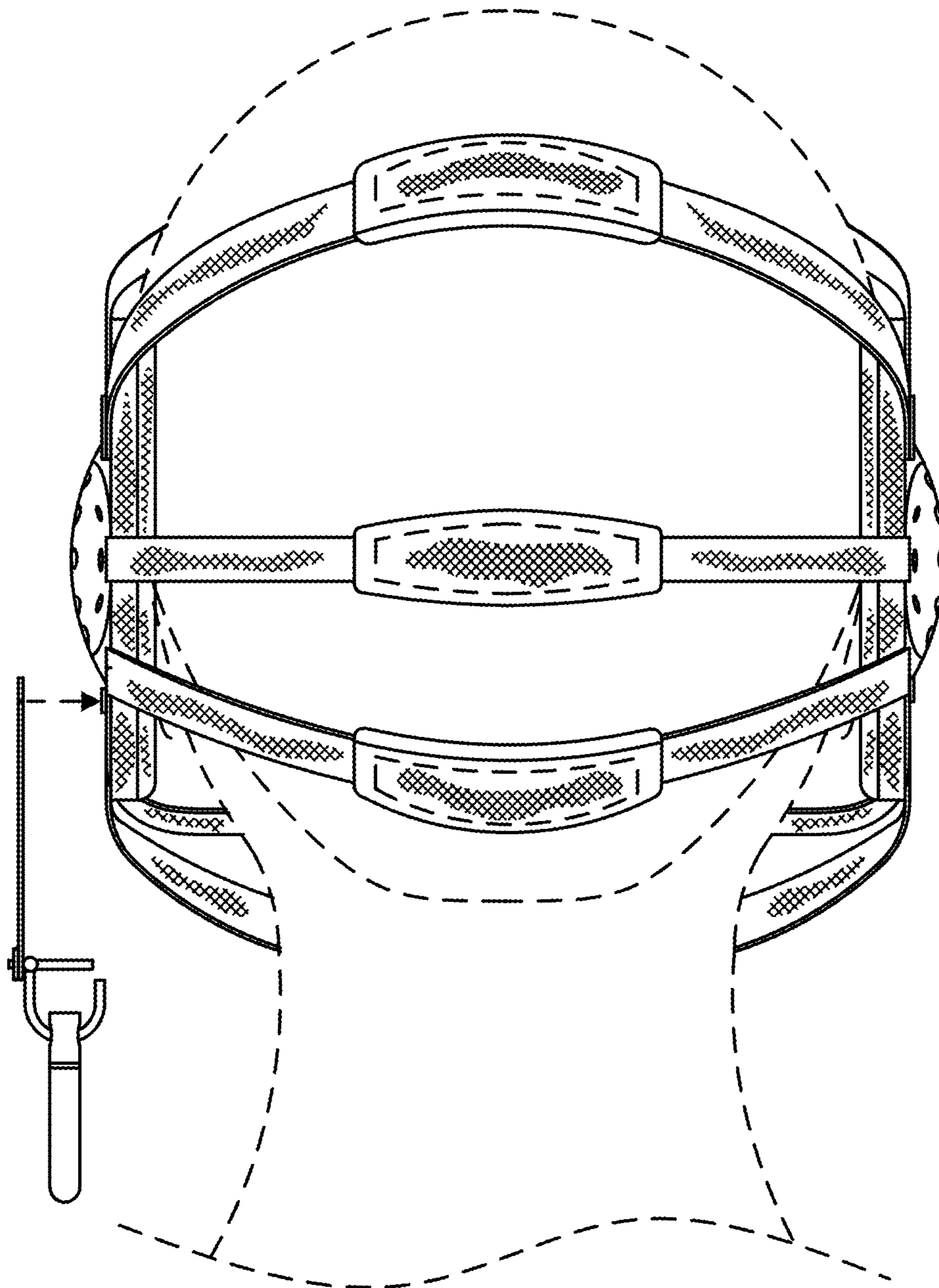


FIG. 3

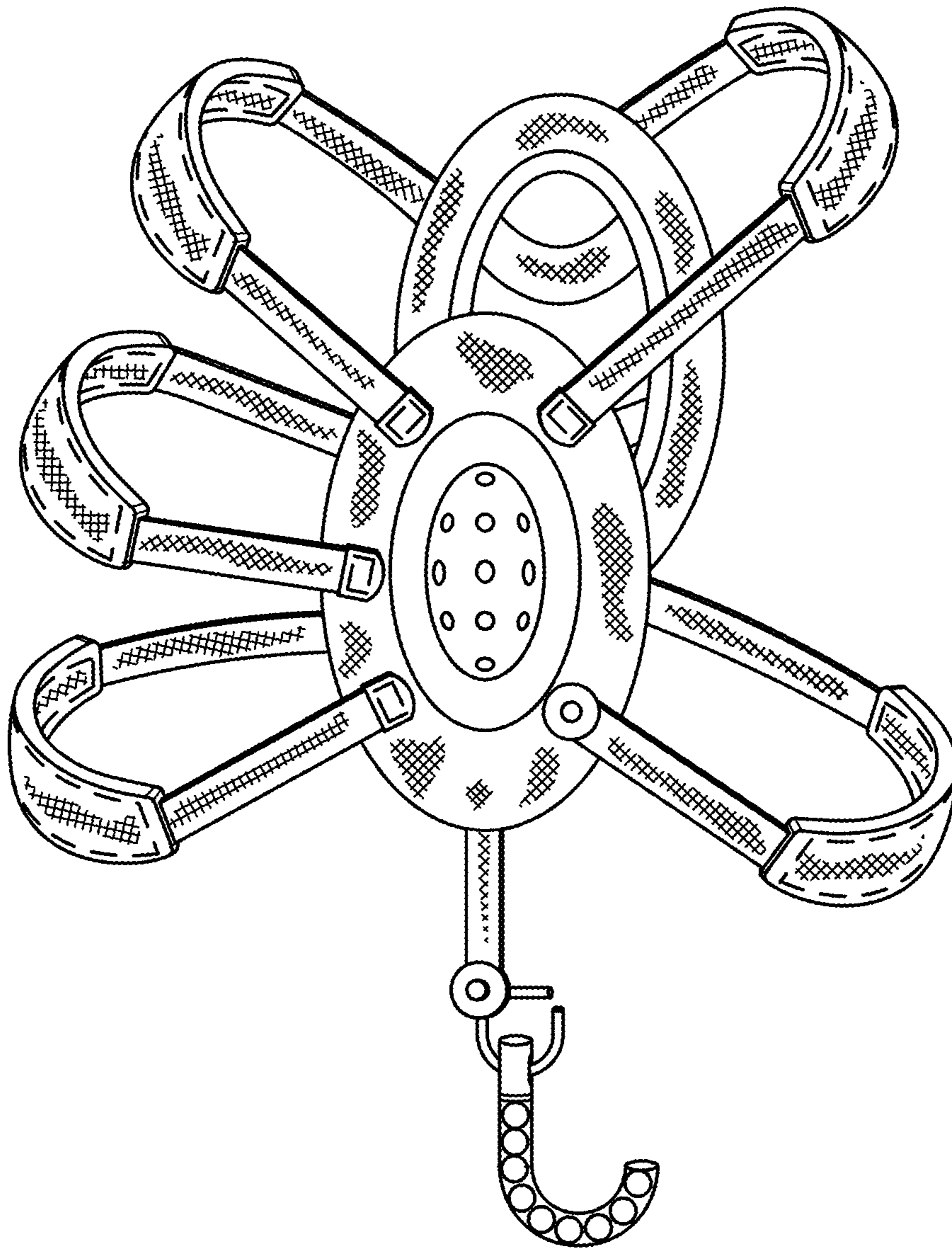


FIG. 4



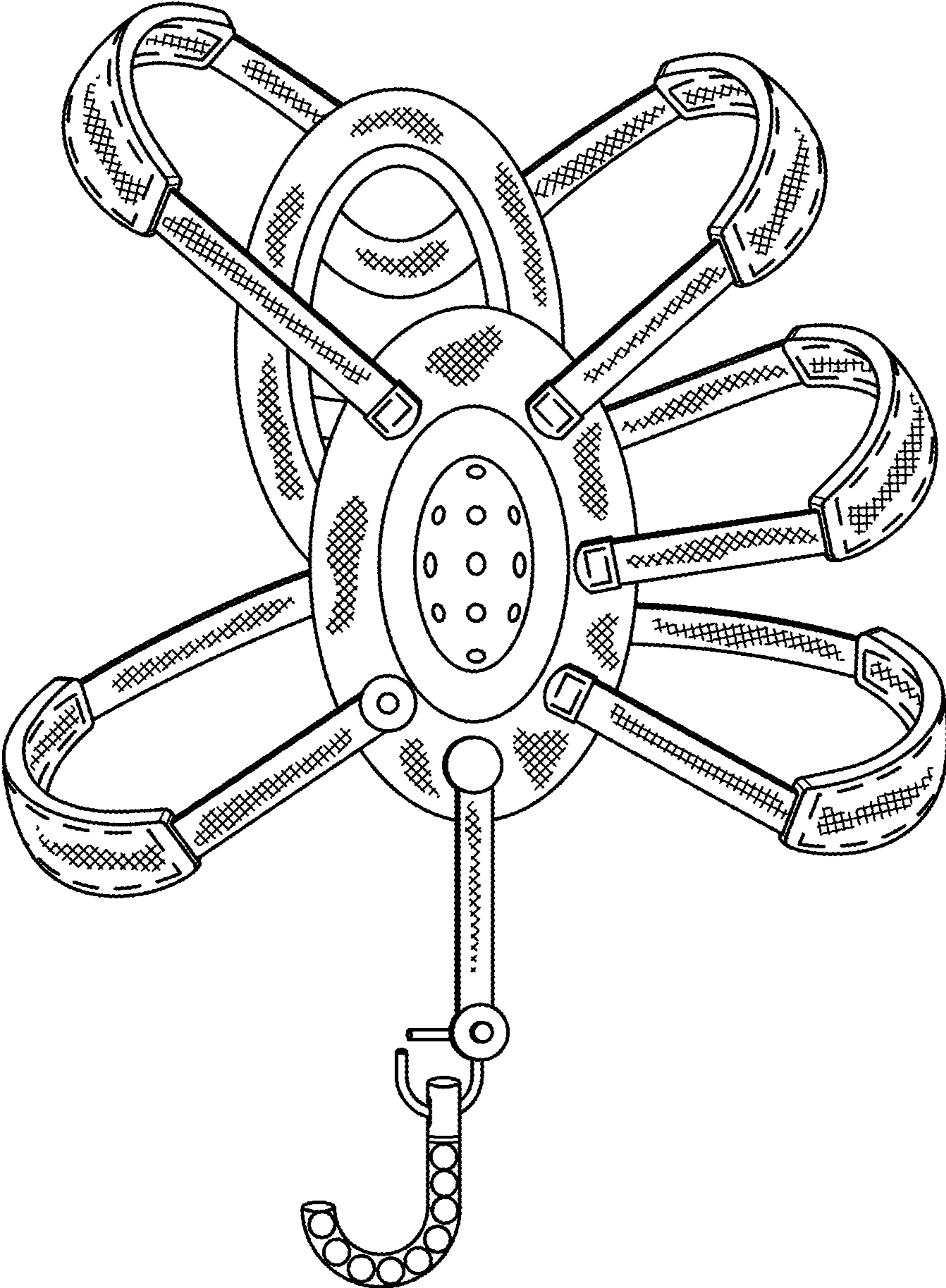


FIG. 5

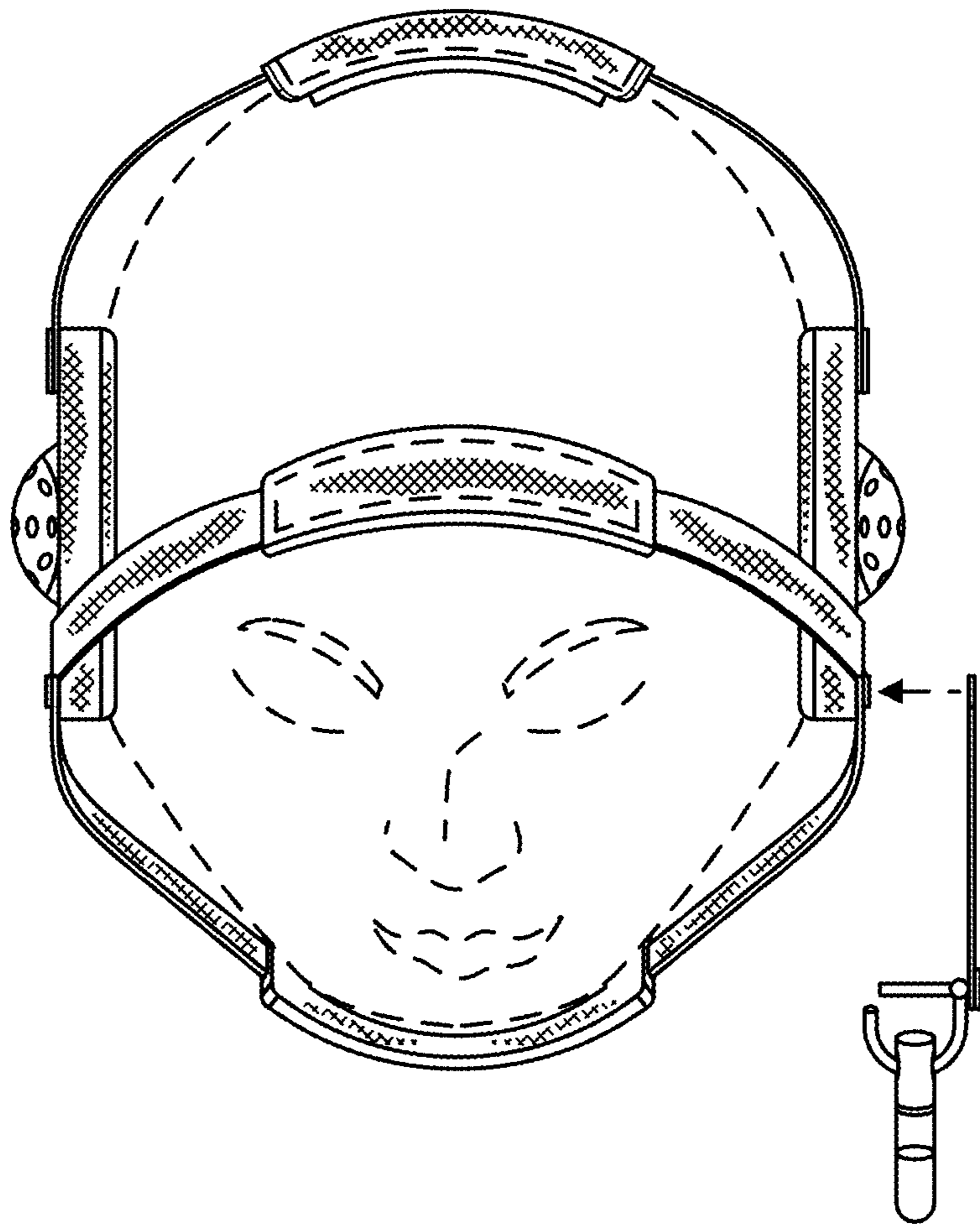


FIG. 6



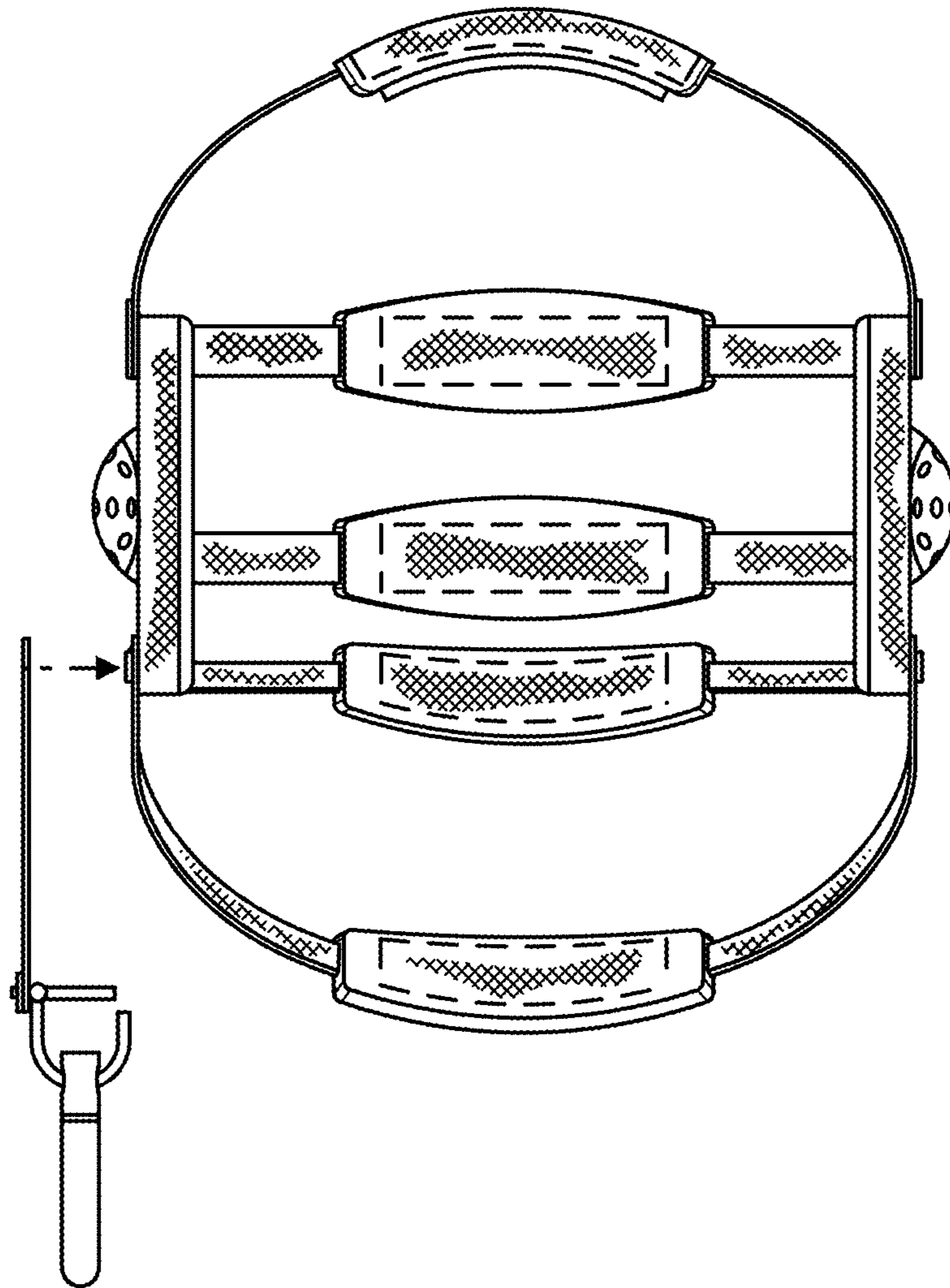


FIG. 7