



US00D937492S

(12) **United States Design Patent** (10) **Patent No.:** **US D937,492 S**
Icek et al. (45) **Date of Patent:** **** Nov. 30, 2021**

(54) **BICYCLE HELMET**

(71) Applicant: **Yoav Michaely**, Boston, MA (US)

(72) Inventors: **Sharon Icek**, Kiryat Ono (IL); **Yoav Michaely**, Boston, MA (US); **Dan Menoim**, Nes Ziona (IL); **Einav Gilat**, Binyamina (IL)

(73) Assignee: **Yoav Michaely**, Boston, MA (US)

(**) Term: **15 Years**

(21) Appl. No.: **29/736,132**

(22) Filed: **May 28, 2020**

(51) **LOC (13) Cl.** **02-03**

(52) **U.S. Cl.**
USPC **D29/102**

(58) **Field of Classification Search**
USPC D29/102-107, 22
CPC A42B 3/00; A42B 3/04; A42B 3/0433;
A42B 3/044; A42B 3/0453; A42B
3/0466; A42B 3/06; A42B 3/062; A42B
3/12; A42B

(Continued)

(56) **References Cited**

U.S. PATENT DOCUMENTS

532,567 A 1/1895 Larwood
3,197,784 A 8/1965 Carlisle
(Continued)

FOREIGN PATENT DOCUMENTS

GB 2482866 A 2/2012

Primary Examiner — Kimberly Barnes

(74) *Attorney, Agent, or Firm* — Kligler & Associates
Patent Attorneys Ltd

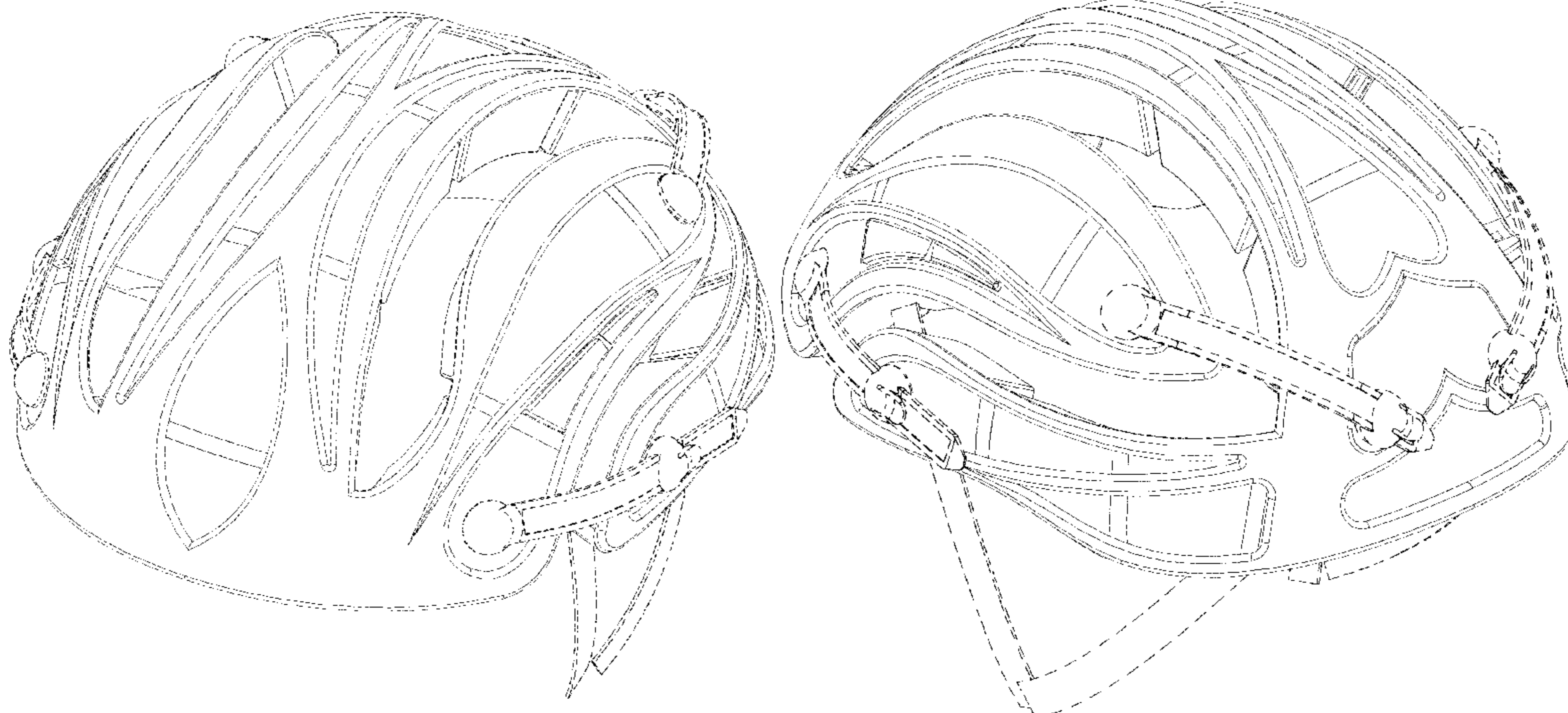
(57) **CLAIM**

The ornamental design for a bicycle helmet, as shown and described.

DESCRIPTION

FIG. 1 is a top, front perspective view of a bicycle helmet, showing our new design in an assembled configuration; FIG. 2 is a top, rear perspective view of the bicycle helmet in the assembled configuration; FIG. 3 is a top plan view of the bicycle helmet in the assembled configuration; FIG. 4 is a bottom plan view of the bicycle helmet in the assembled configuration; FIG. 5 is a front elevation view of the bicycle helmet in the assembled configuration; FIG. 6 is a rear elevation view of the bicycle helmet in the assembled configuration; FIG. 7 is a left elevation view of the bicycle helmet in the assembled configuration; FIG. 8 is a right elevation view of the bicycle helmet in the assembled configuration; FIG. 9 is a top, front perspective view of the bicycle helmet in a collapsed configuration; FIG. 10 is a top, rear perspective view of the bicycle helmet in the collapsed configuration; FIG. 11 is a top plan view of the bicycle helmet in the collapsed configuration; FIG. 12 is a bottom plan view of the bicycle helmet in the collapsed configuration; FIG. 13 is a front elevation view of the bicycle helmet in the collapsed configuration; FIG. 14 is a rear elevation view of the bicycle helmet in the collapsed configuration; FIG. 15 is a left elevation view of the bicycle helmet in the collapsed configuration; FIG. 16 is a right elevation view of the bicycle helmet in the collapsed configuration; FIG. 17 is a top plan view of the bicycle helmet in a disassembled configuration; and, FIG. 18 is a bottom plan view of the bicycle helmet in the disassembled configuration. The broken lines in the drawings depict portions of the bicycle helmet that form no part of the claimed design.

1 Claim, 18 Drawing Sheets



(58) **Field of Classification Search**
 CPC . 3/125; A42B 3/18; A42B 3/185; A42B 3/22;
 A42B 3/221; A42B 3/222; A42B 3/226;
 A42B 3/227; A42B 3/32; A42B 3/322;
 A42B 3/20; A42B 3/205
 See application file for complete search history.

(56) **References Cited**

U.S. PATENT DOCUMENTS

4,443,891 A 4/1984 Blomgren et al.
 4,856,119 A * 8/1989 Haberle A42B 3/08
 2/417
 5,012,533 A * 5/1991 Rattler A42B 3/066
 2/420
 5,173,970 A 12/1992 Shifrin
 RE35,193 E 4/1996 Shifrin
 5,515,546 A 5/1996 Shifrin
 5,544,367 A 8/1996 March, II
 5,572,749 A * 11/1996 Ogden A42B 3/14
 2/410
 5,628,071 A 5/1997 Nezer
 5,661,854 A 9/1997 March, II
 5,790,988 A 8/1998 Guadagnino, Jr. et al.
 6,032,297 A 3/2000 Barthold et al.
 6,159,324 A * 12/2000 Watters A42B 3/322
 156/242
 D445,218 S * 7/2001 Watters D29/102
 6,266,827 B1 7/2001 Lampe et al.
 6,292,952 B1 * 9/2001 Watters A42B 3/324
 2/411

6,421,840 B1 7/2002 Chen et al.
 D474,577 S 5/2003 Rohde
 D474,579 S 5/2003 Clark
 6,647,556 B2 * 11/2003 Grepper A42B 3/324
 2/410
 6,996,856 B2 * 2/2006 Puchalski A42B 3/064
 2/411
 7,188,375 B2 3/2007 Harrington
 7,958,572 B2 * 6/2011 Loury A42B 3/322
 2/410
 7,958,573 B2 * 6/2011 Lewis, Jr. A42B 3/127
 2/414
 8,042,198 B1 10/2011 Cleveland
 D663,901 S 7/2012 Vito
 D667,592 S 9/2012 Vito
 8,631,518 B1 1/2014 Jennings
 D741,049 S 10/2015 Etherton
 9,364,039 B2 * 6/2016 Pusateri A42B 1/08
 9,675,127 B2 * 6/2017 Guadagnin A42B 3/322
 9,693,594 B1 7/2017 Castro et al.
 D809,713 S * 2/2018 Ciaravino D29/102
 9,907,346 B2 3/2018 Hanson et al.
 10,085,508 B2 * 10/2018 Surabhi A42B 3/065
 D838,921 S 1/2019 Dunbar
 10,201,208 B1 2/2019 Bochner
 10,588,360 B2 * 3/2020 Chase, Jr. A63B 71/1225
 2012/0066820 A1 3/2012 Fresco
 2017/0000206 A1 1/2017 Chong
 2018/0192730 A1 1/2018 Creak
 2019/0142100 A1 5/2019 Shiffer
 2019/0269193 A1 * 9/2019 Benyola A42B 3/044

* cited by examiner

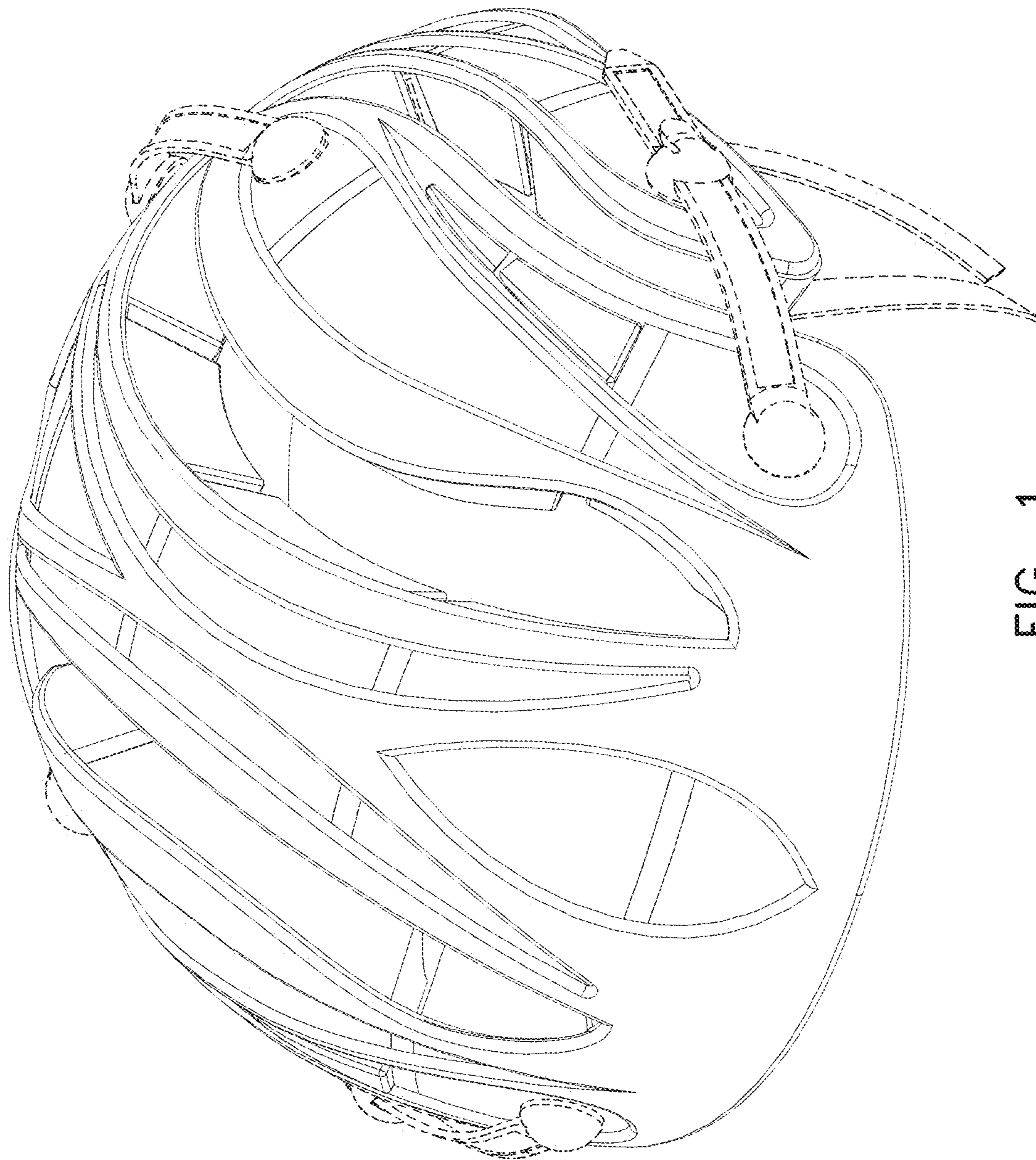


FIG. 1

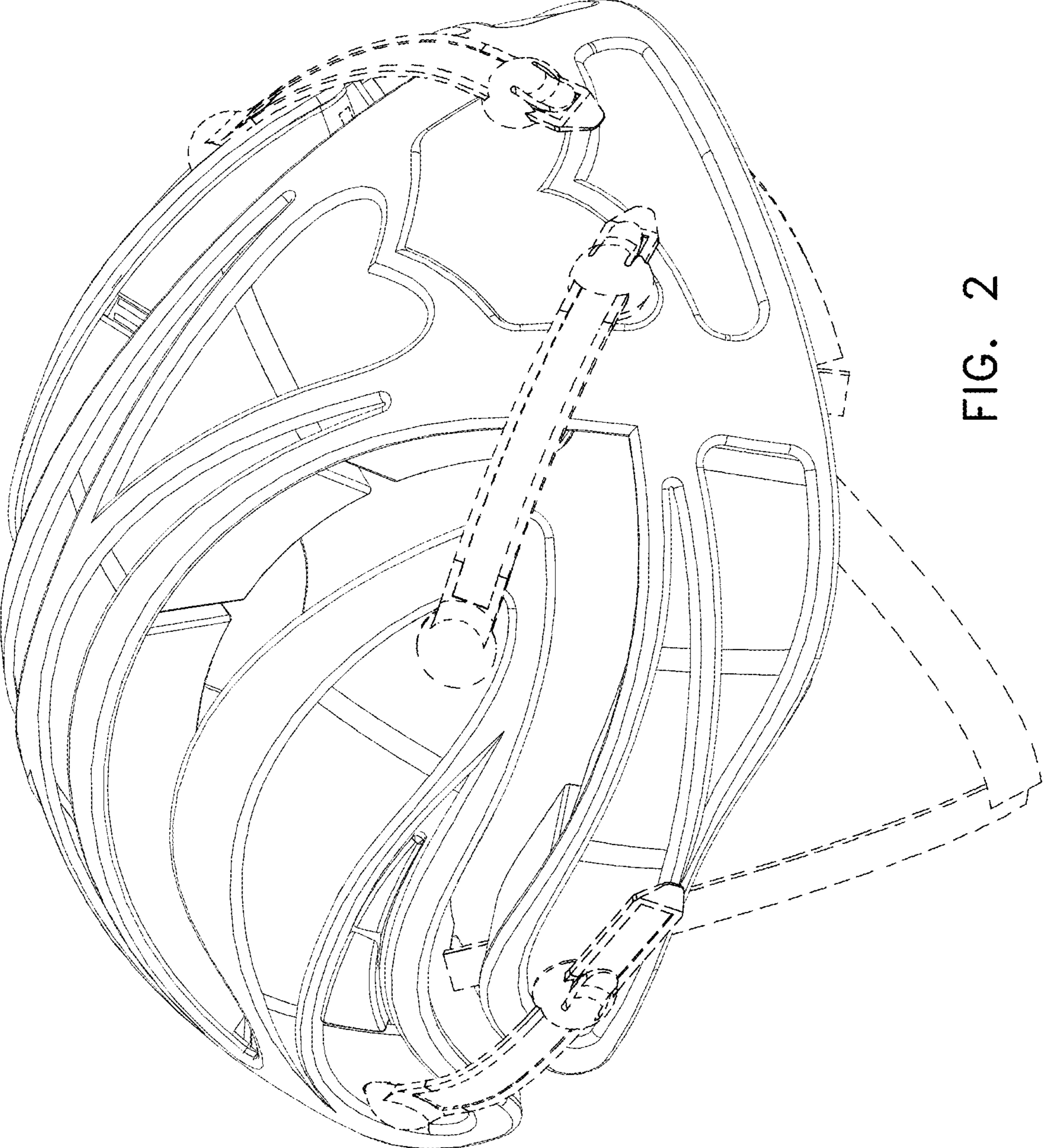


FIG. 2

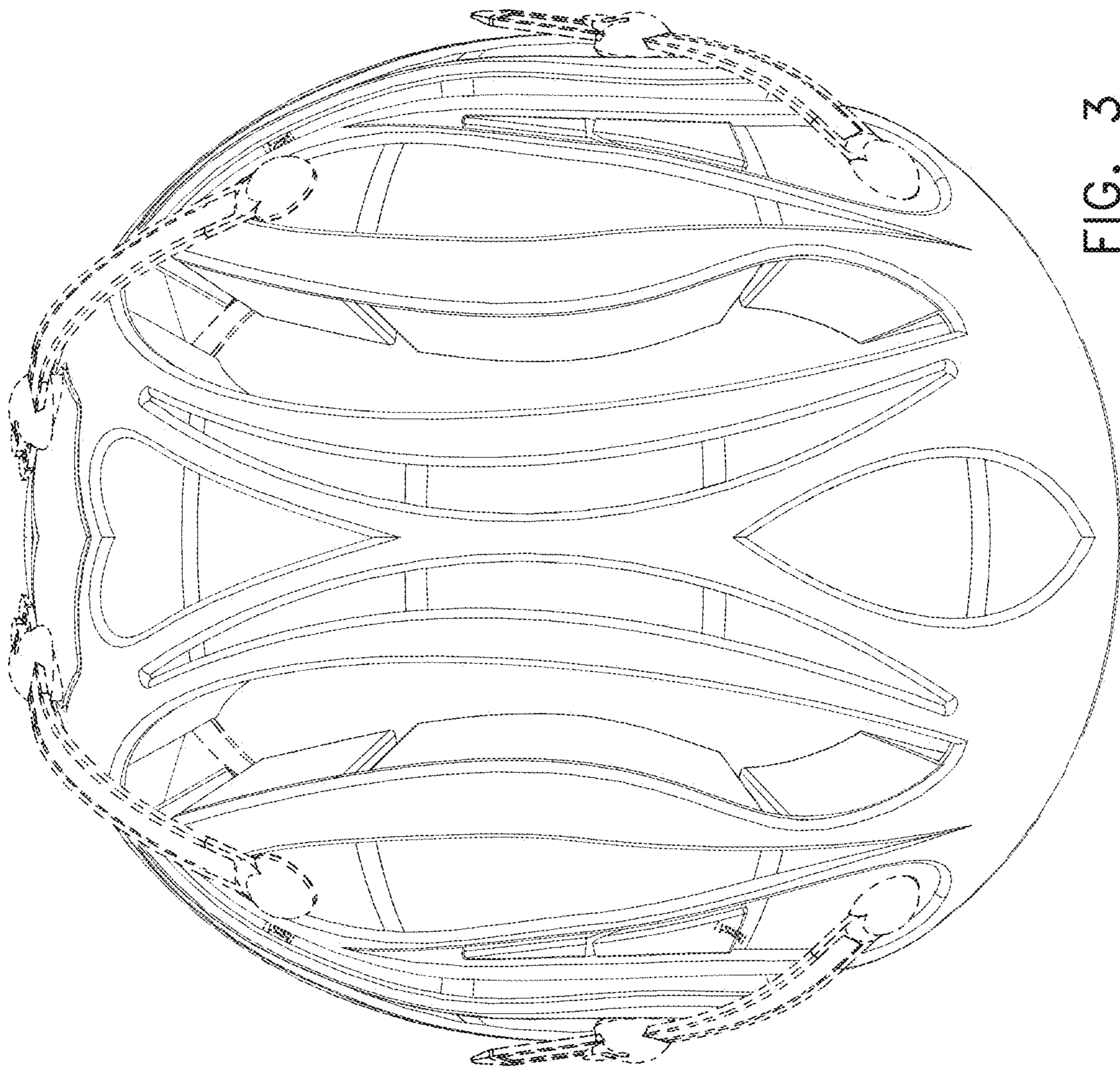


FIG. 3

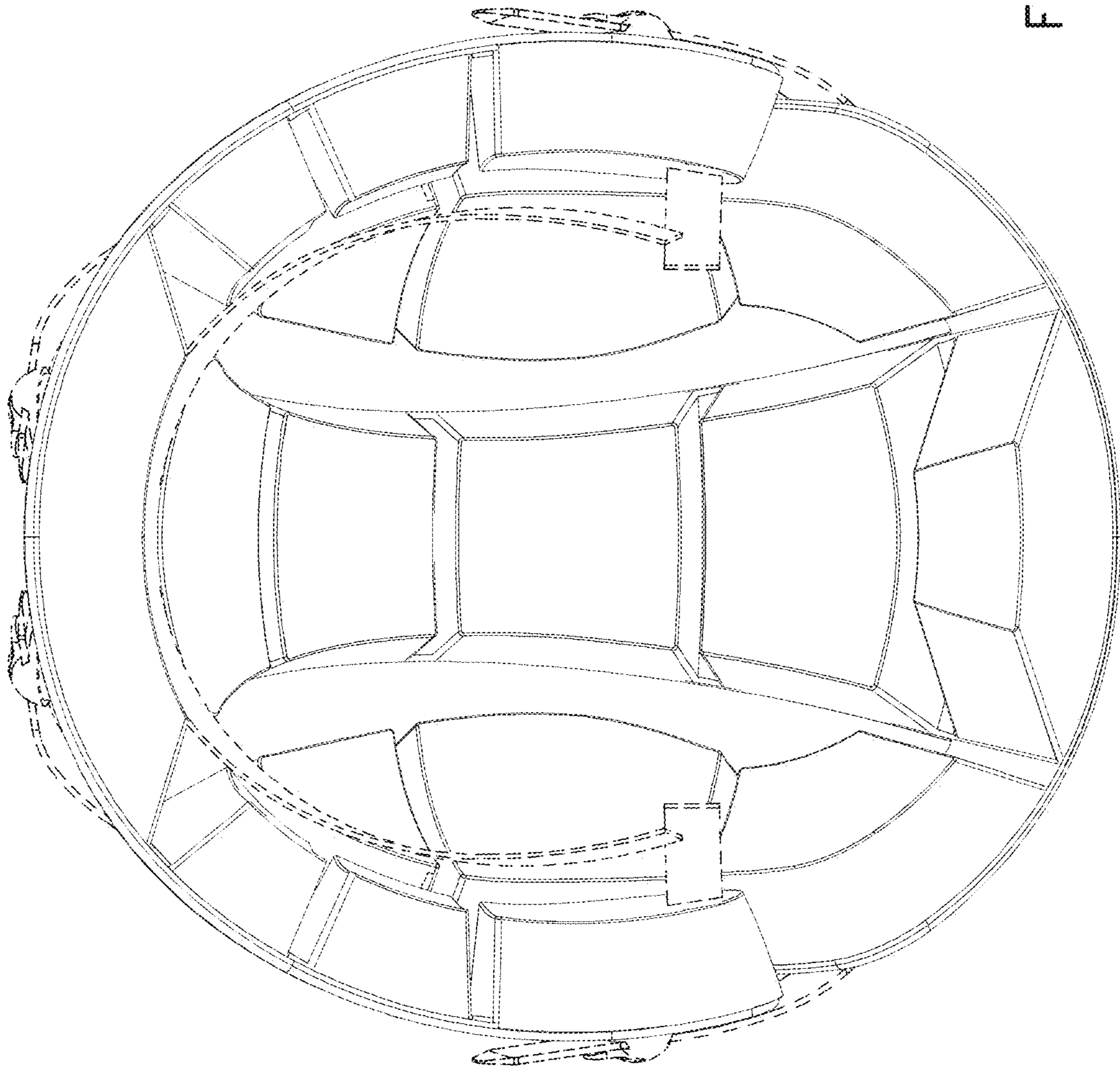


FIG. 4

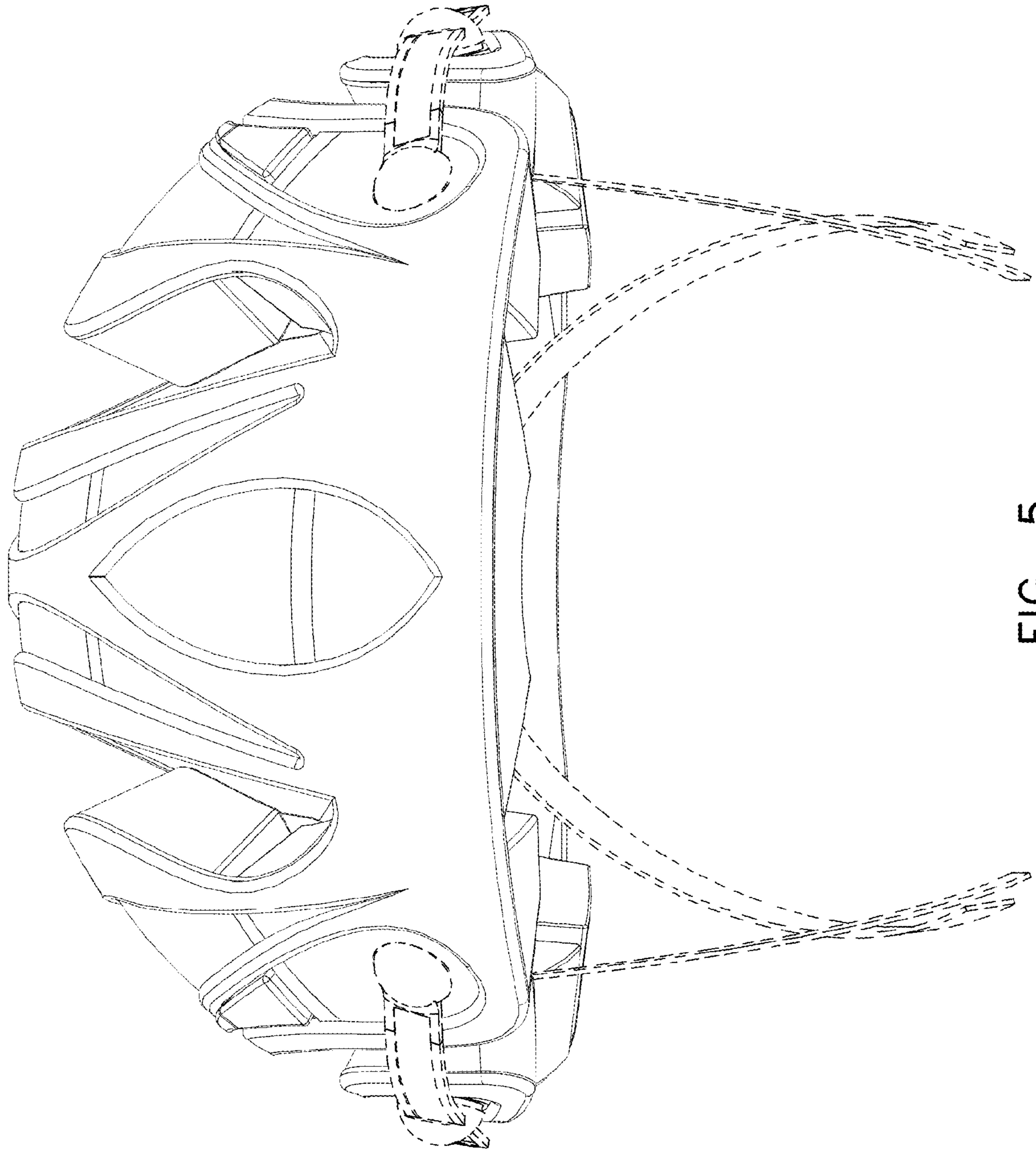


FIG. 5

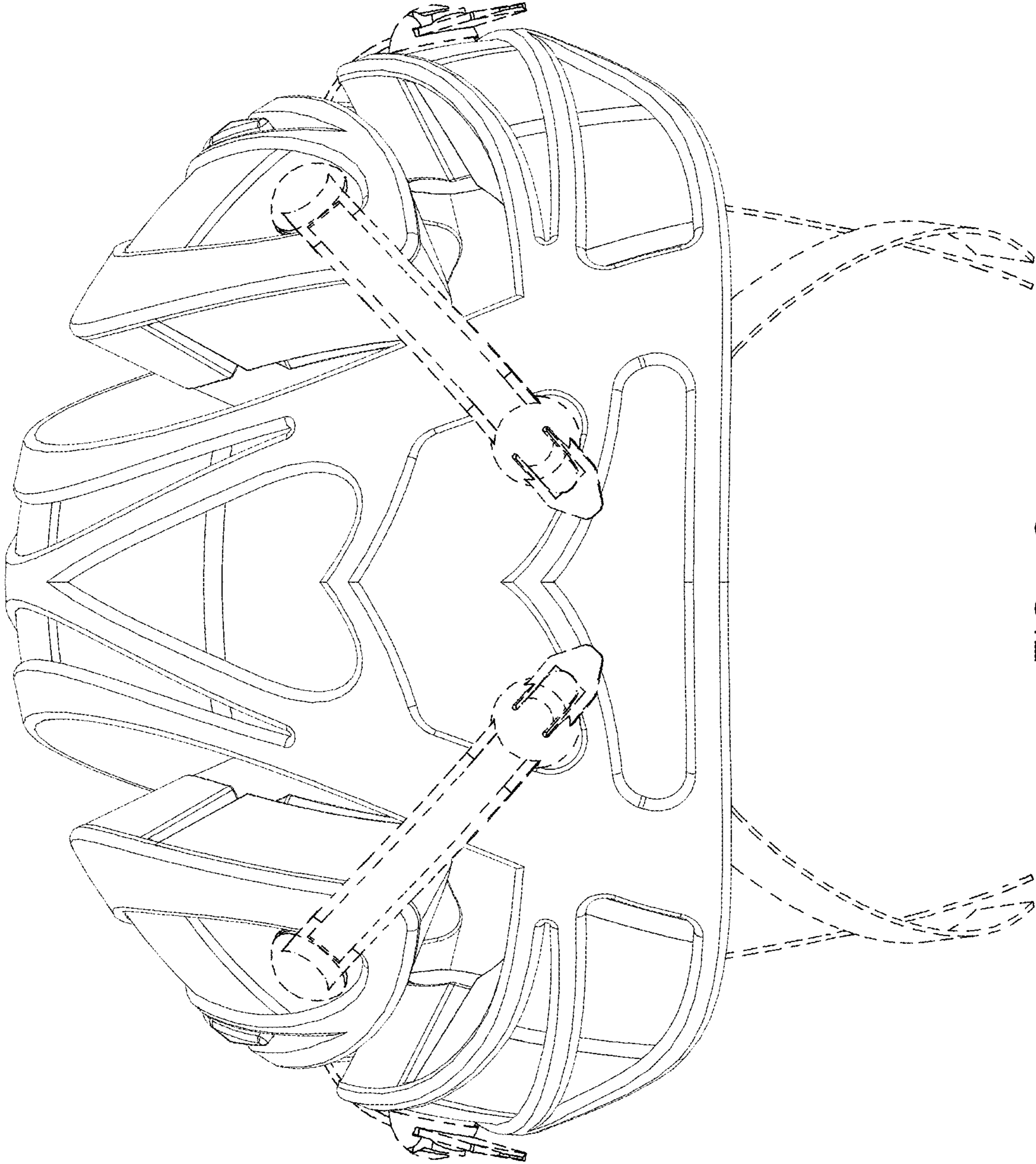


FIG. 6

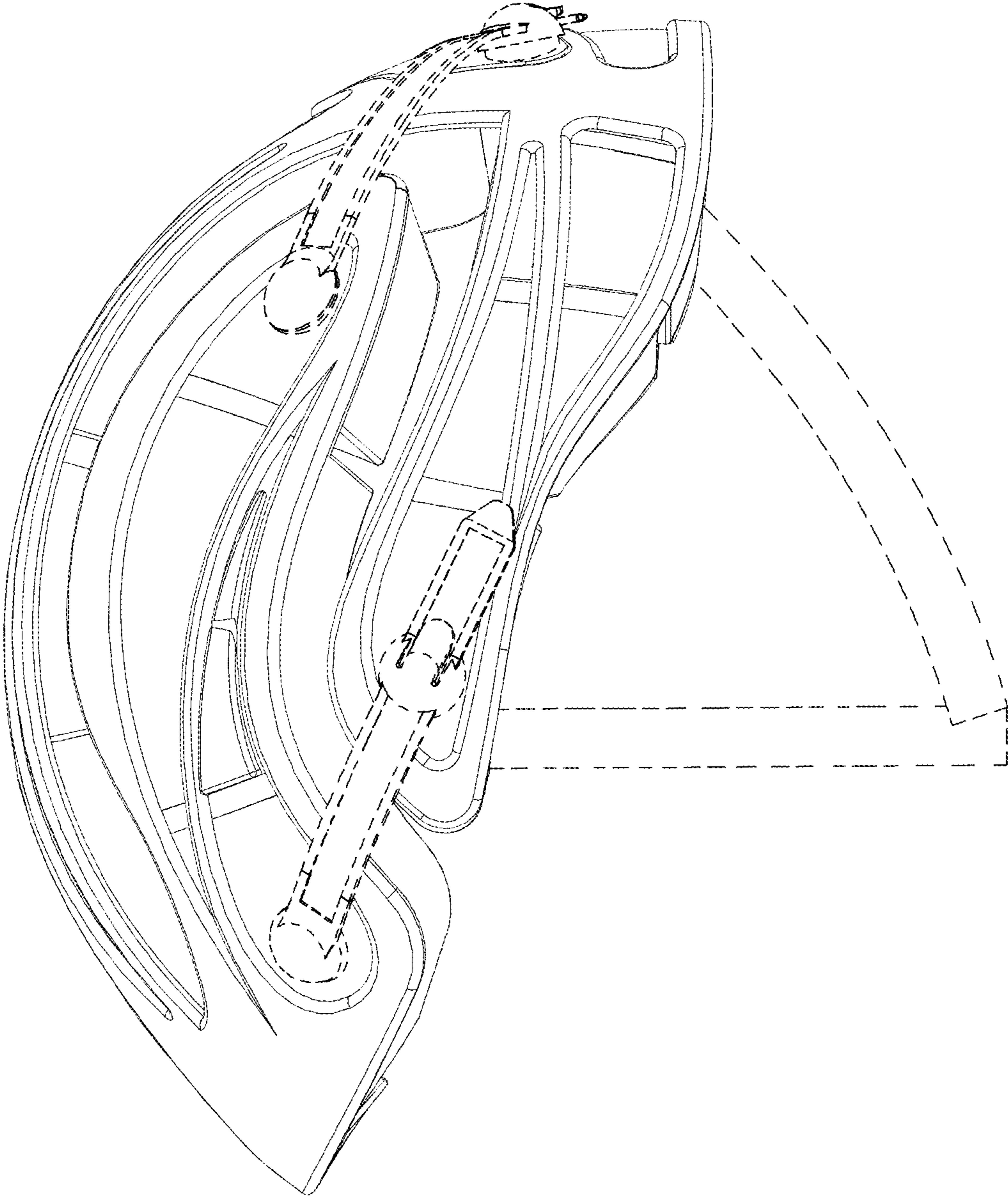


FIG. 7

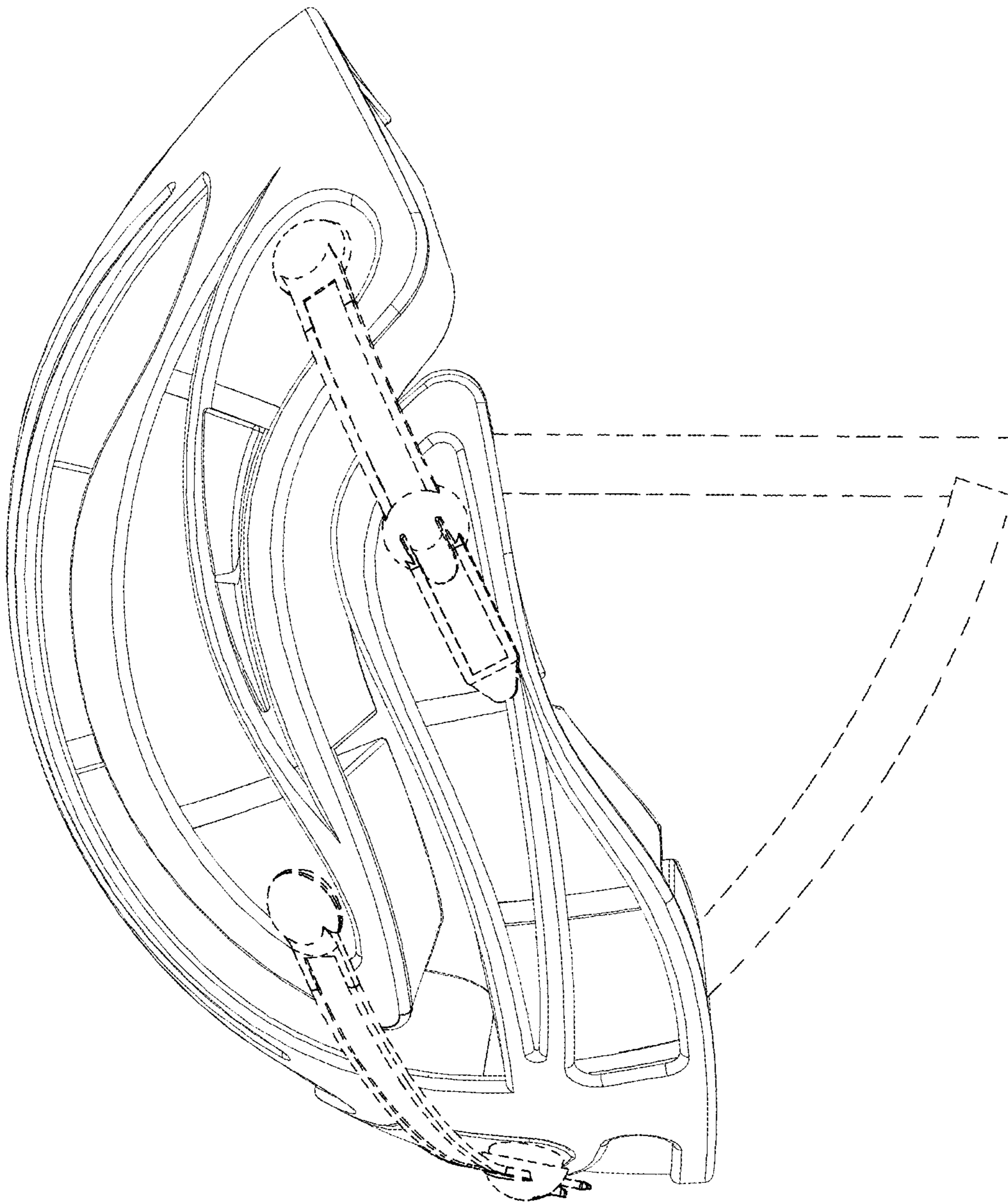


FIG. 8

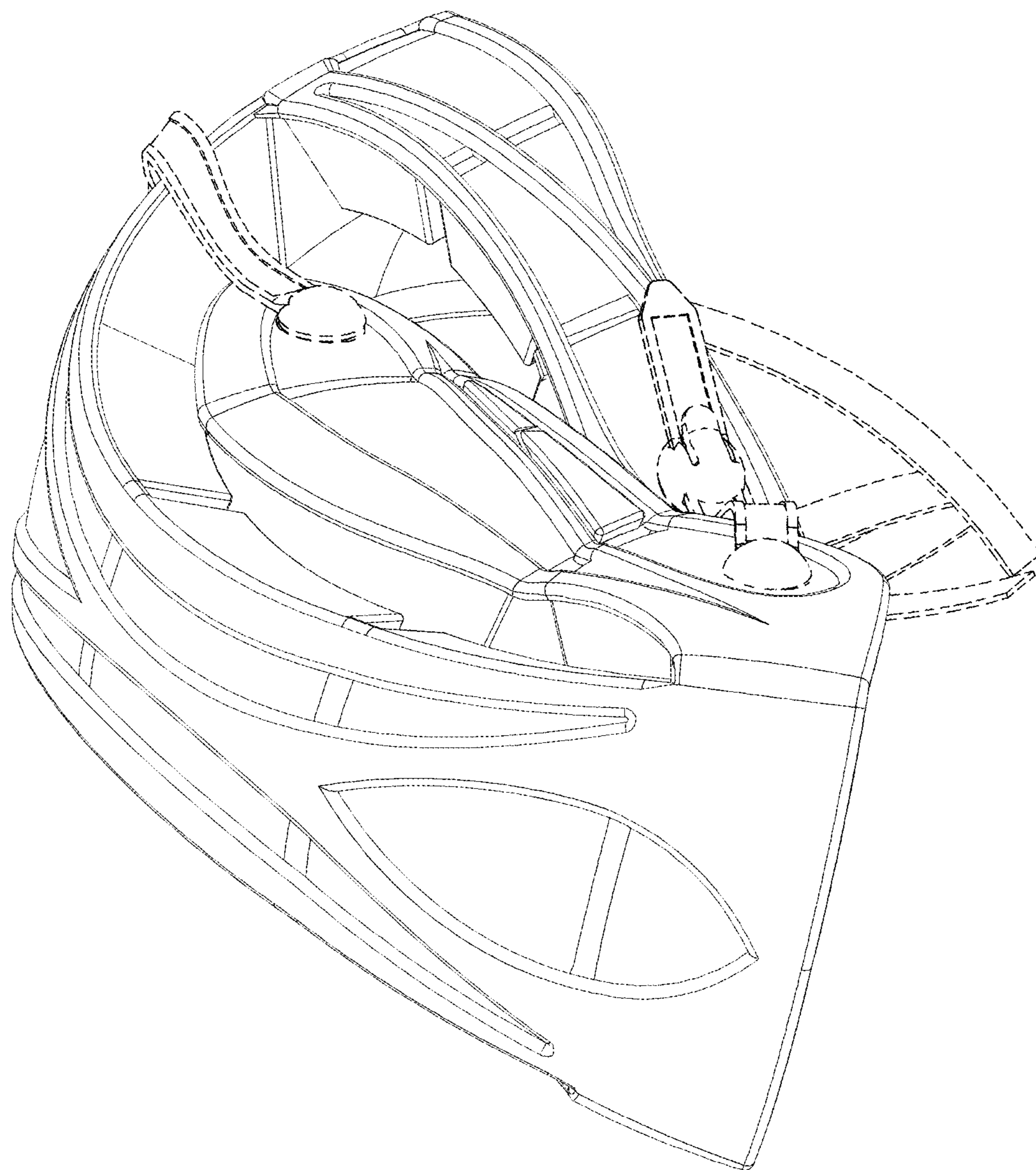


FIG. 9

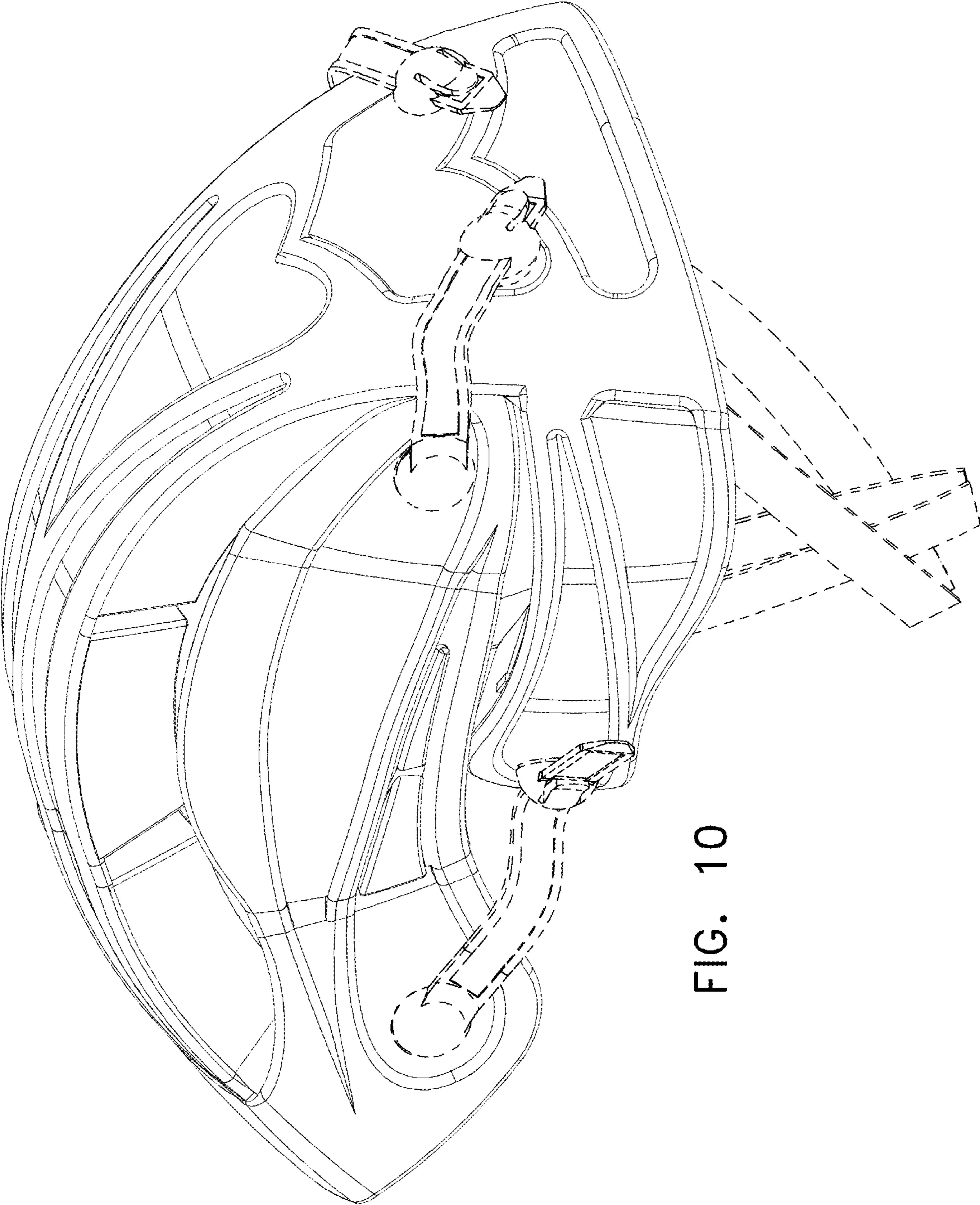


FIG. 10

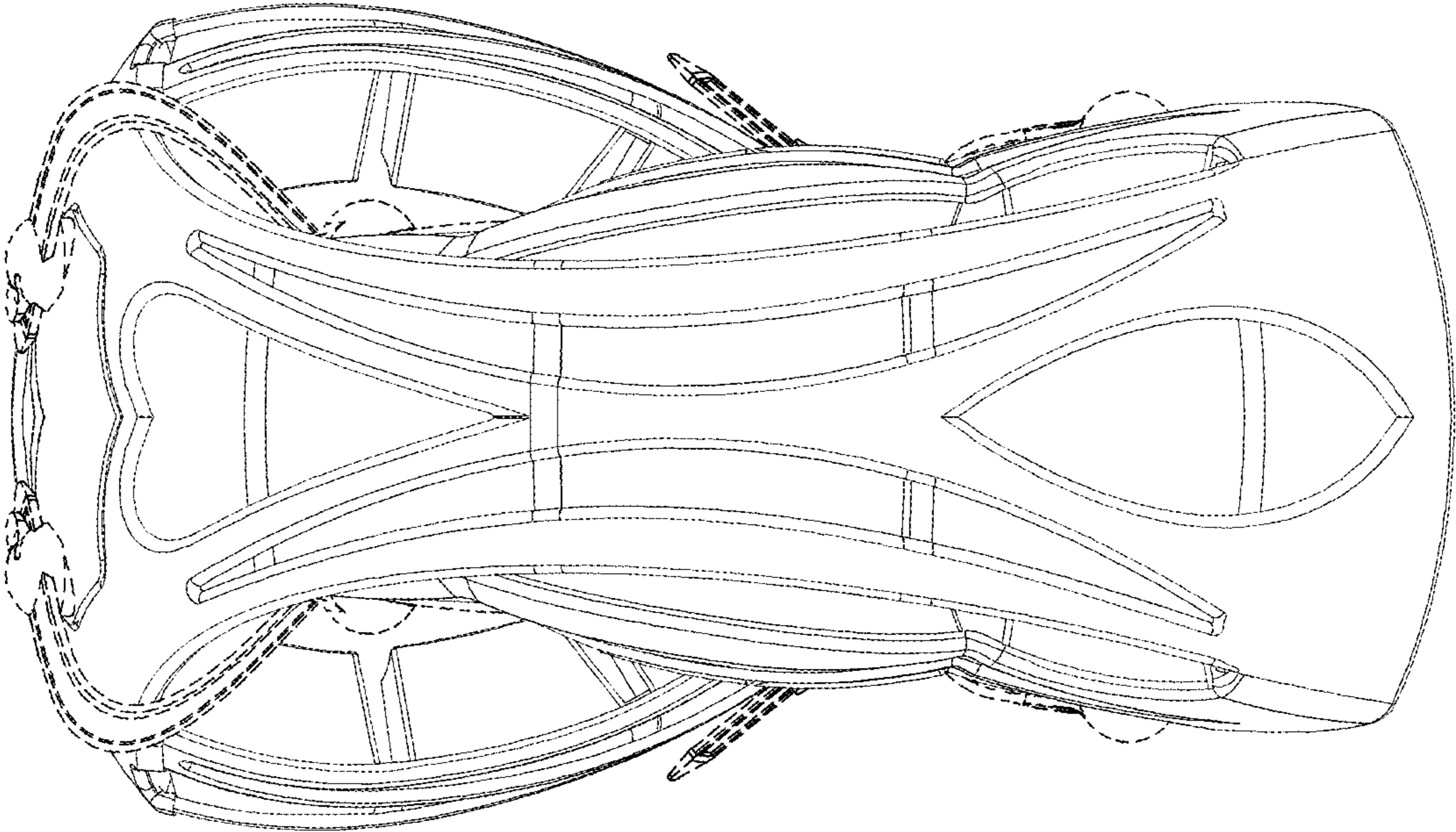


FIG. 11

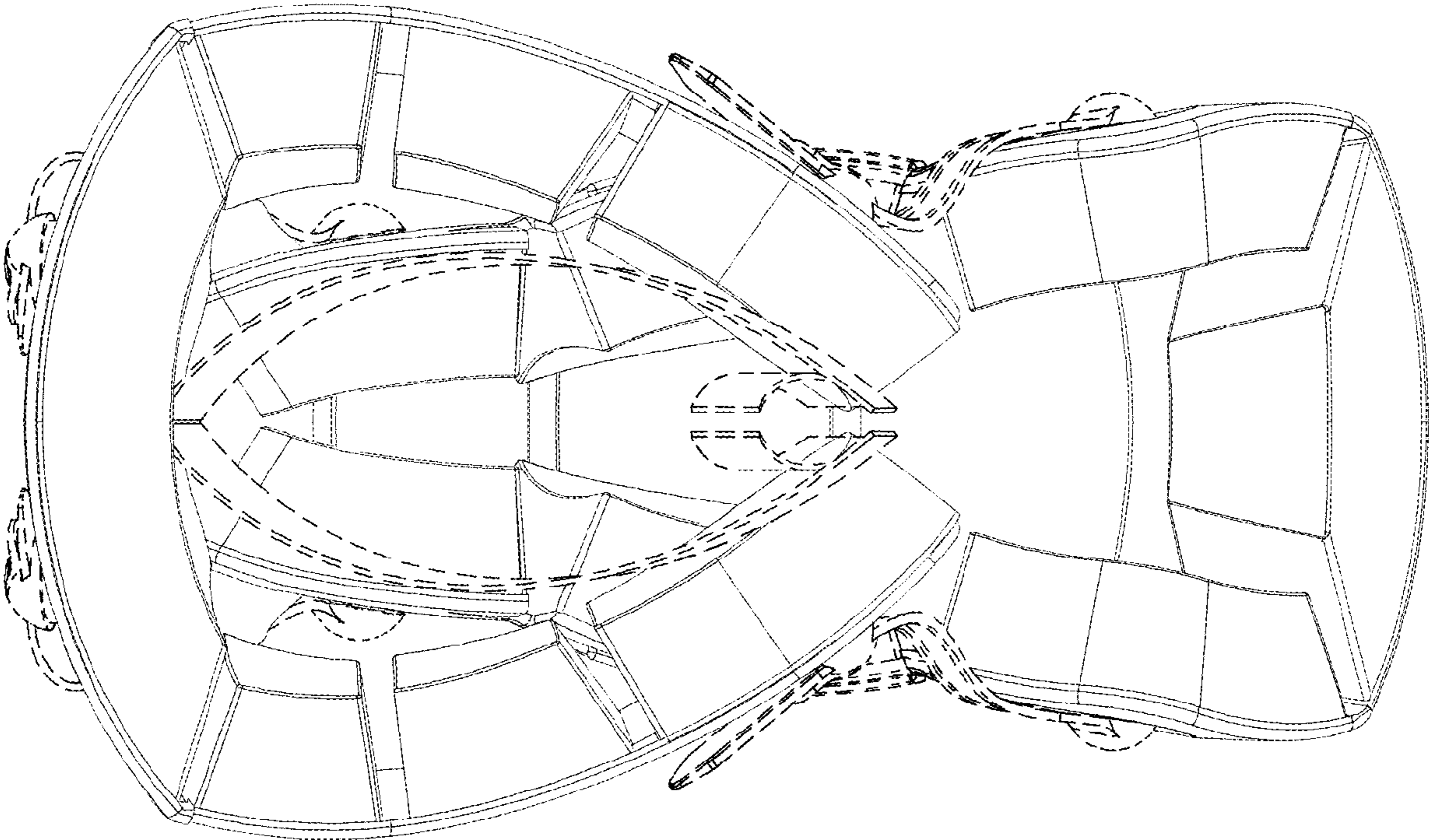


FIG. 12

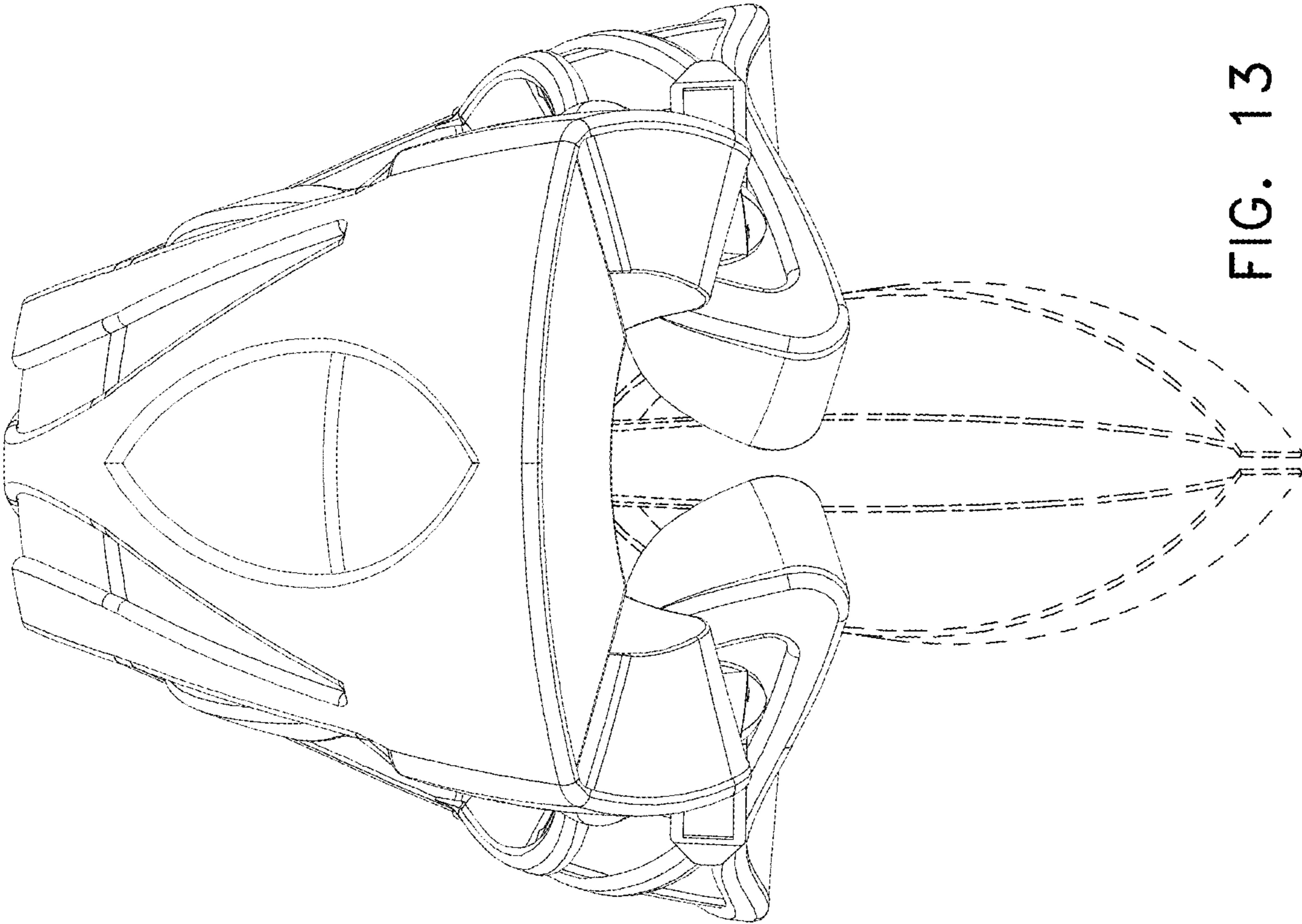


FIG. 13

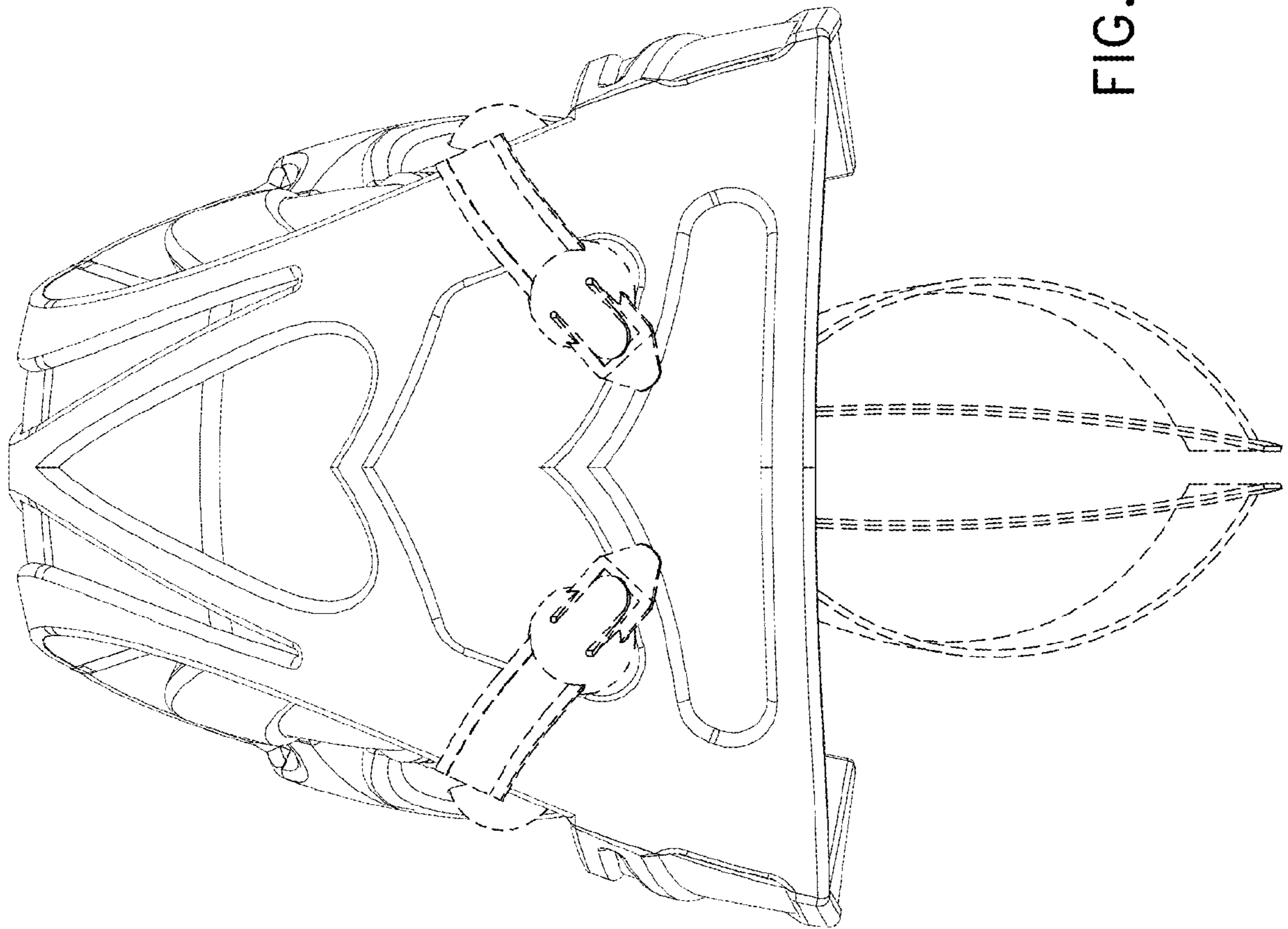


FIG. 14

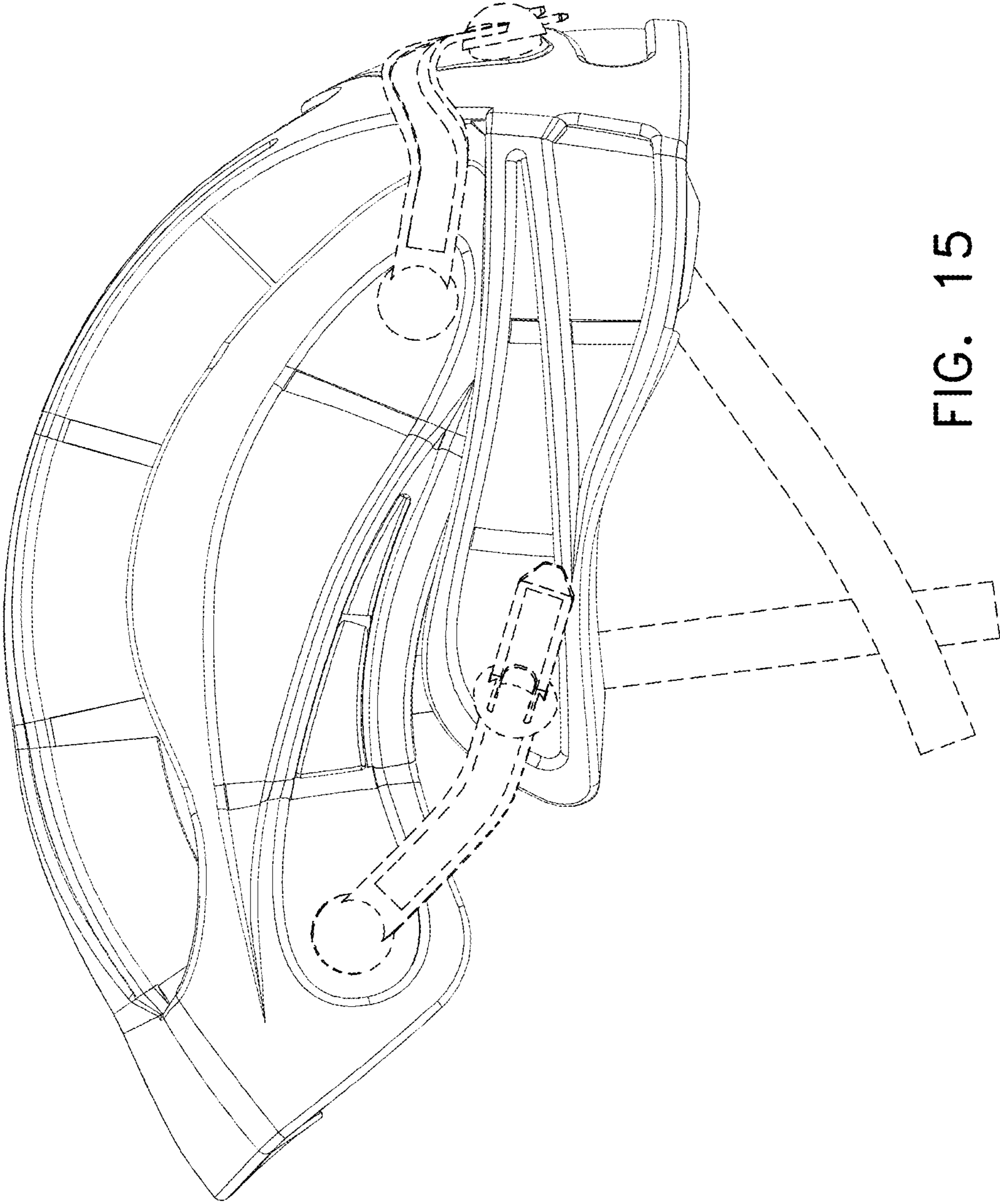


FIG. 15

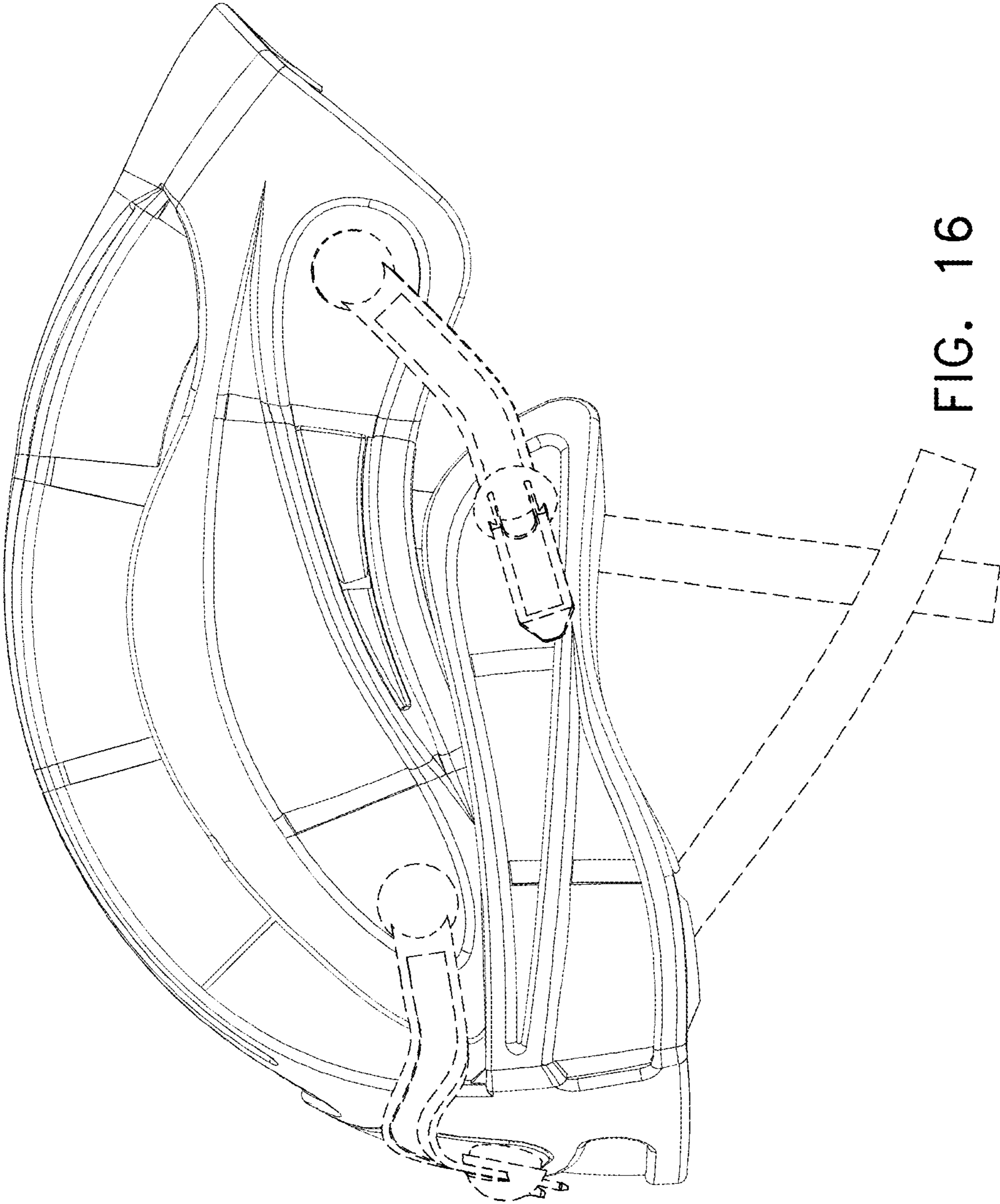


FIG. 16

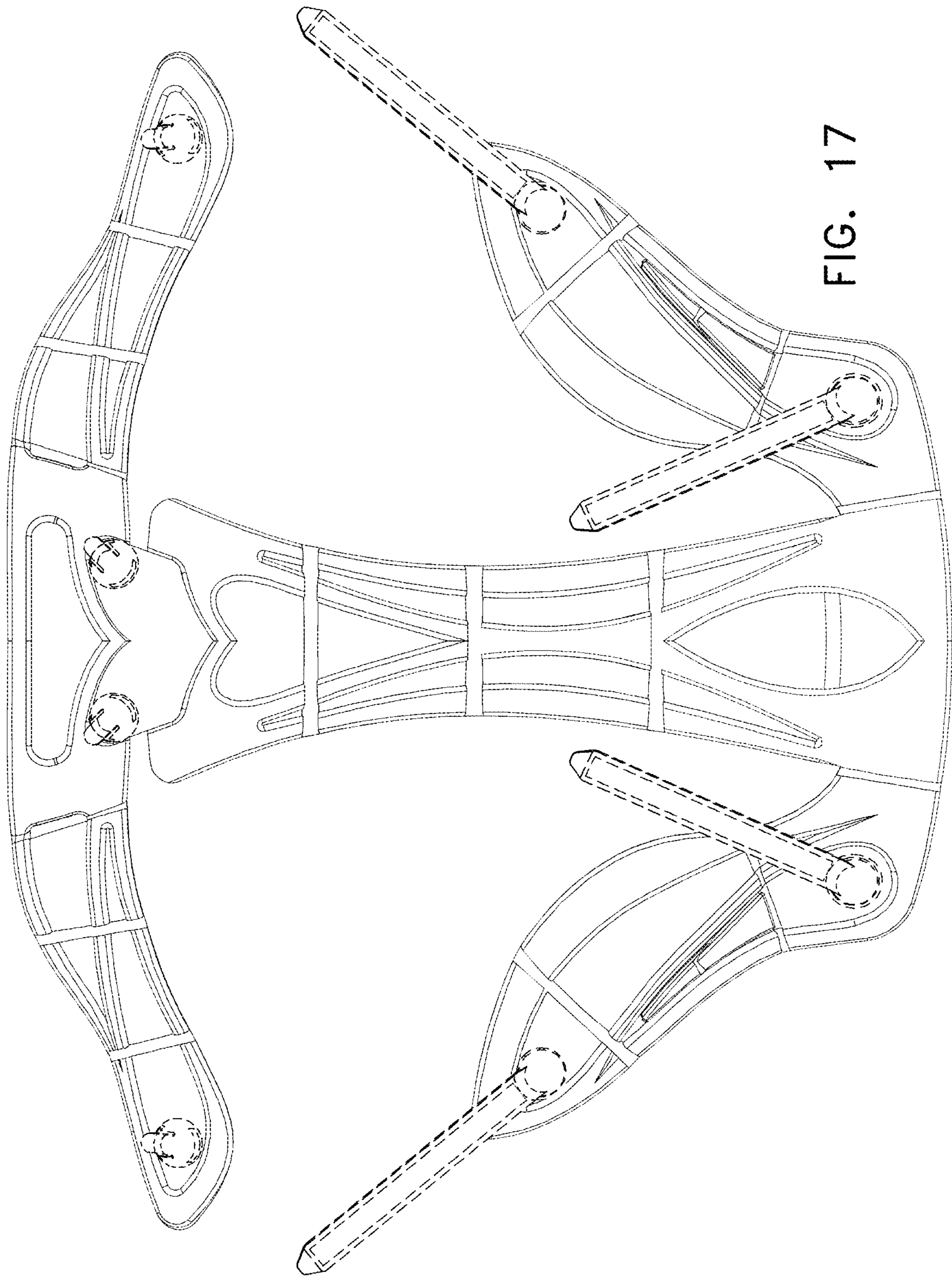


FIG. 17

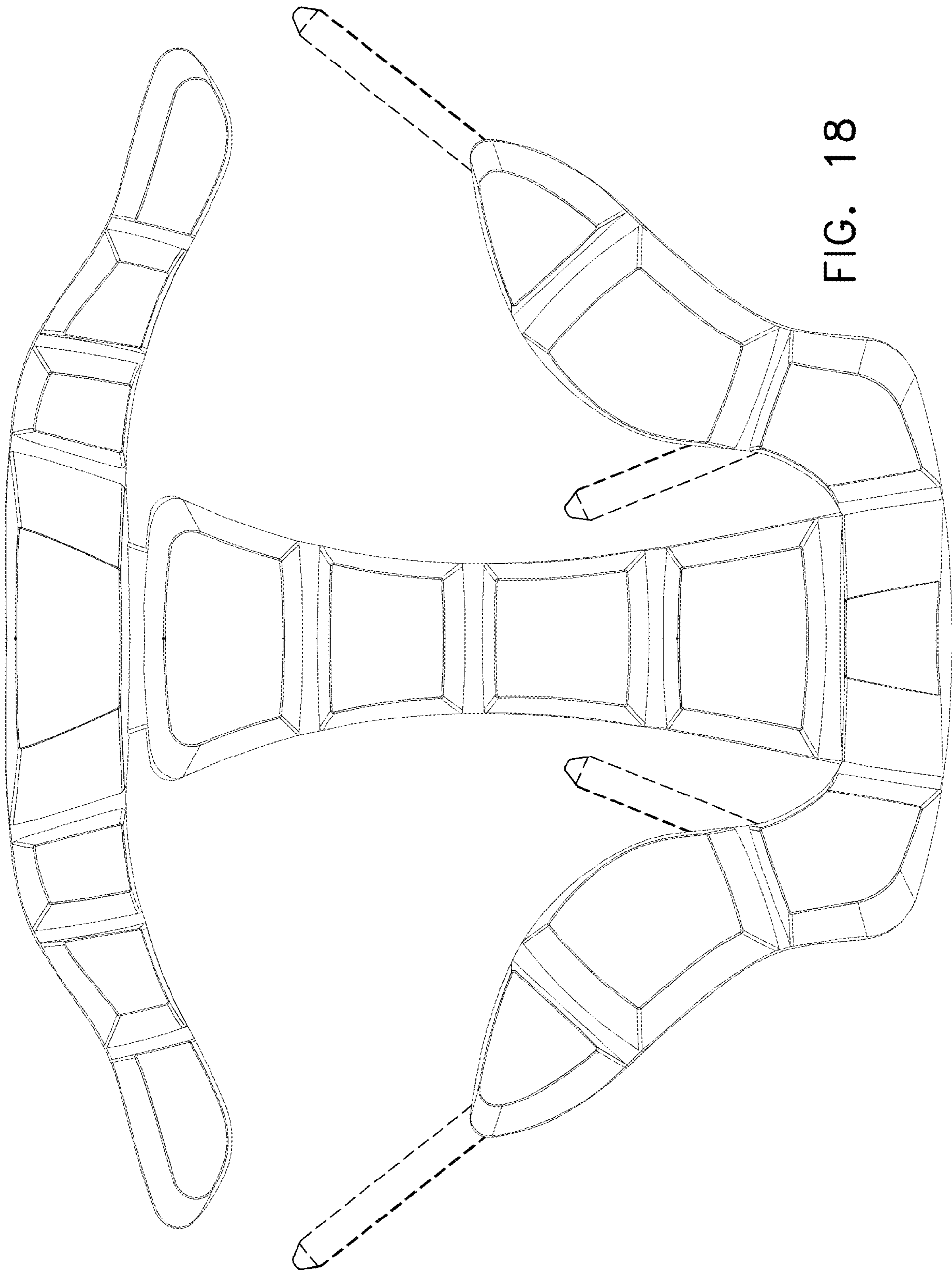


FIG. 18