



US00D937490S

(12) **United States Design Patent**  
**Matsuishi**

(10) **Patent No.:** **US D937,490 S**

(45) **Date of Patent:** **\*\* Nov. 30, 2021**

- (54) **BOTTLE FOR COSMETICS**
- (71) Applicant: **Midori Matsuishi**, Tokyo (JP)
- (72) Inventor: **Midori Matsuishi**, Tokyo (JP)
- (73) Assignee: **SHISEIDO COMPANY, LIMITED**,  
Tokyo (JP)
- (\*\*) Term: **15 Years**
- (21) Appl. No.: **29/738,112**
- (22) Filed: **Jun. 15, 2020**
- (51) **LOC (13) Cl.** ..... **28-03**
- (52) **U.S. Cl.**  
USPC ..... **D28/85**
- (58) **Field of Classification Search**  
USPC ..... D28/85, 4, 7, 76, 73, 77, 82, 99, 99.1;  
D9/529, 545, 549, 551, 562, 558, 503  
CPC ..... A45D 2200/05; A45D 2200/051; A45D  
2200/053; A45D 2200/10; A45D 2200/00;  
A45D 2200/1036; A45D 2200/1045;  
B65D 1/02; B65D 1/0223; B65D 1/023  
See application file for complete search history.

D863,687 S *	10/2019	Wilson	.....	D28/85
D886,635 S *	6/2020	Kilduff	.....	D9/726
D902,723 S *	11/2020	Shiota	.....	D9/504
D902,724 S *	11/2020	Shiota	.....	D9/504
D906,117 S *	12/2020	Shiota	.....	D9/504
D923,254 S *	6/2021	Kuo	.....	D28/85
D926,380 S *	7/2021	Wolfe	.....	D28/76

**OTHER PUBLICATIONS**

Lip Balm Container By: Nikou found on Amazon Sep. 13, 2021  
[https://www.amazon.com/Lip-Balm-Container-Containers-Rotating/dp/B07P41DDYQ/ref=sr\\_1\\_98?dchild=1&keywords=circular+lipstick+containers&qid= Aug. 31, 2019.\\*](https://www.amazon.com/Lip-Balm-Container-Containers-Rotating/dp/B07P41DDYQ/ref=sr_1_98?dchild=1&keywords=circular+lipstick+containers&qid= Aug. 31, 2019.*)

\* cited by examiner

*Primary Examiner* — Marissa J Cash

*Assistant Examiner* — Rebecca Tsehaye

(74) *Attorney, Agent, or Firm* — Manabu Kanesaka

(57) **CLAIM**

The ornamental design for a bottle for cosmetics, as shown and described.

**DESCRIPTION**

FIG. 1 is a perspective view of a bottle for cosmetics showing my new design;  
FIG. 2 is a front view thereof, a rear view, left side view, and right side view being identical to the front view;  
FIG. 3 is a plan view thereof;  
FIG. 4 is a bottom view thereof;  
FIG. 5 is a cross-sectional view thereof along the line 5-5 in FIG. 2; and,  
FIG. 6 is a reference view thereof, wherein the lid and main body are separated.  
The broken lines depict portions of the bottle for cosmetics that form no part of claimed design.

**1 Claim, 2 Drawing Sheets**

(56) **References Cited**

**U.S. PATENT DOCUMENTS**

D377,849 S *	2/1997	Fabrisi	.....	D28/85
D423,922 S *	5/2000	Ohchi	.....	D9/503
D425,257 S *	5/2000	Acker	.....	D28/85
D479,017 S *	8/2003	Sgariboldi	.....	D28/85
D534,812 S *	1/2007	Chadfield	.....	D9/723
D703,052 S *	4/2014	Park	.....	D9/503
D703,053 S *	4/2014	Park	.....	D9/503
D737,149 S *	8/2015	Son	.....	D9/688
D748,865 S *	2/2016	Hall	.....	D28/85
D755,634 S *	5/2016	Dittmer	.....	D9/503
D797,377 S *	9/2017	Reggiani	.....	D28/89
D845,132 S *	4/2019	Otani	.....	D9/503
D846,197 S *	4/2019	Apodaca	.....	D28/85

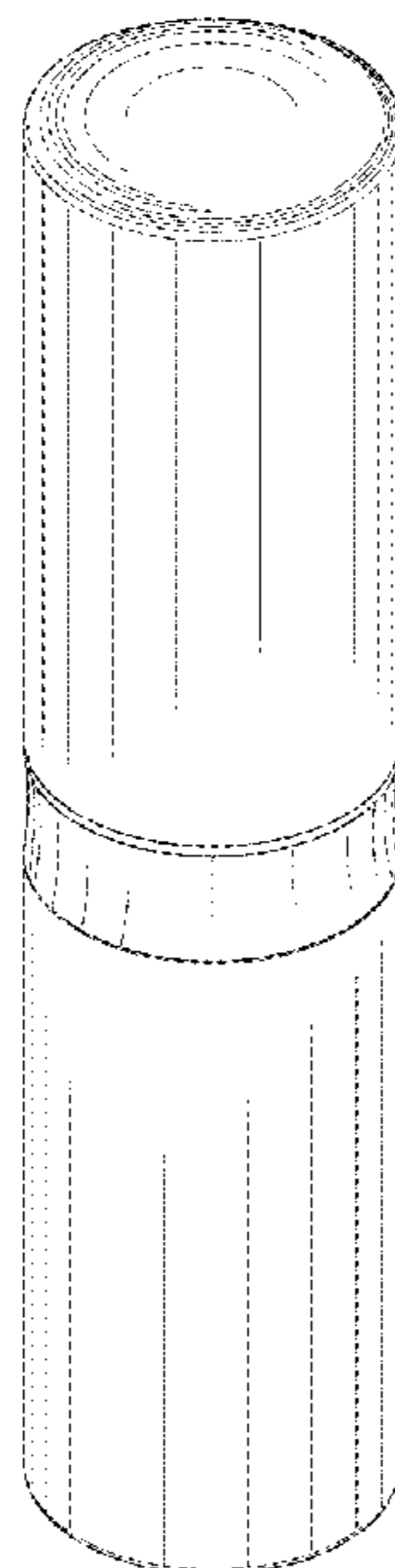


Fig.1

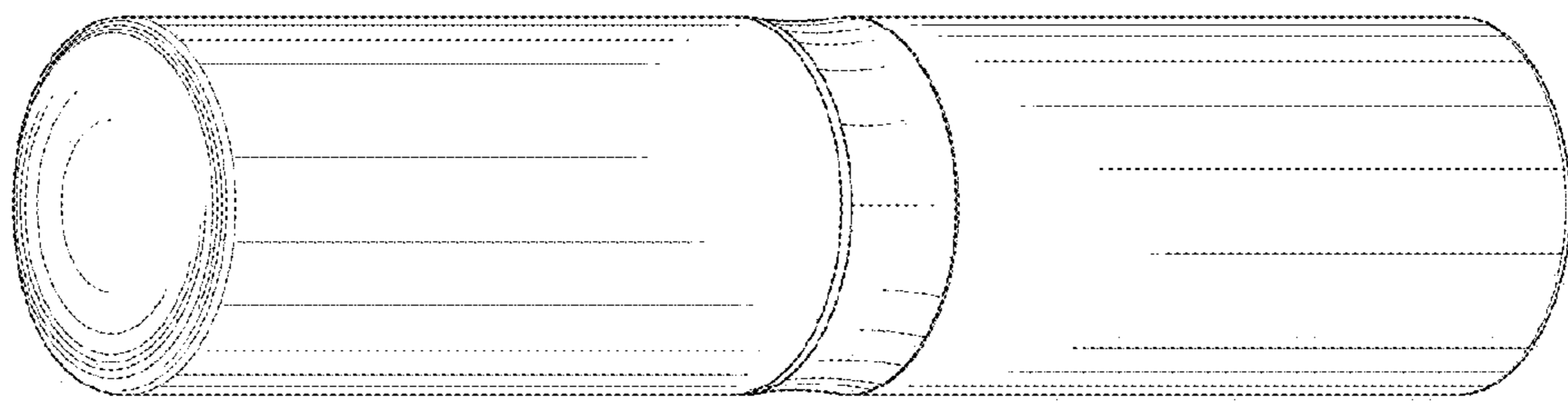


Fig.2

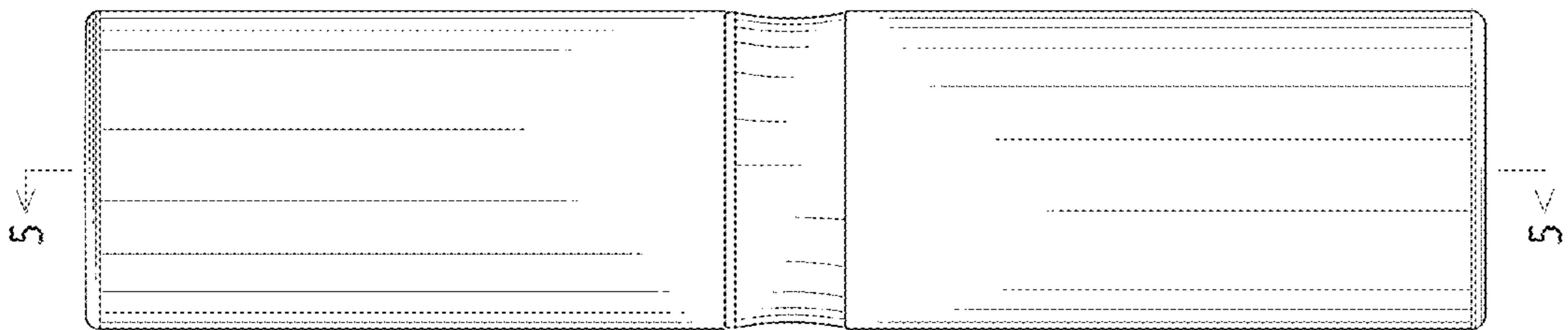


Fig.3

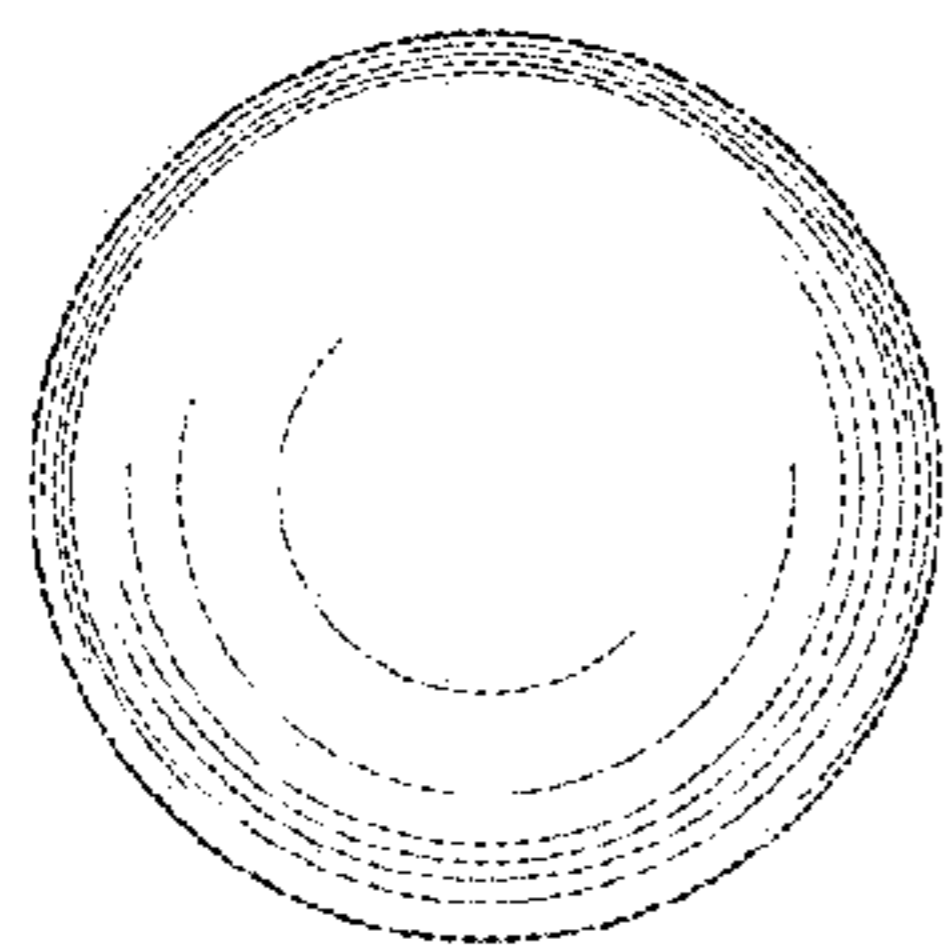


Fig.4

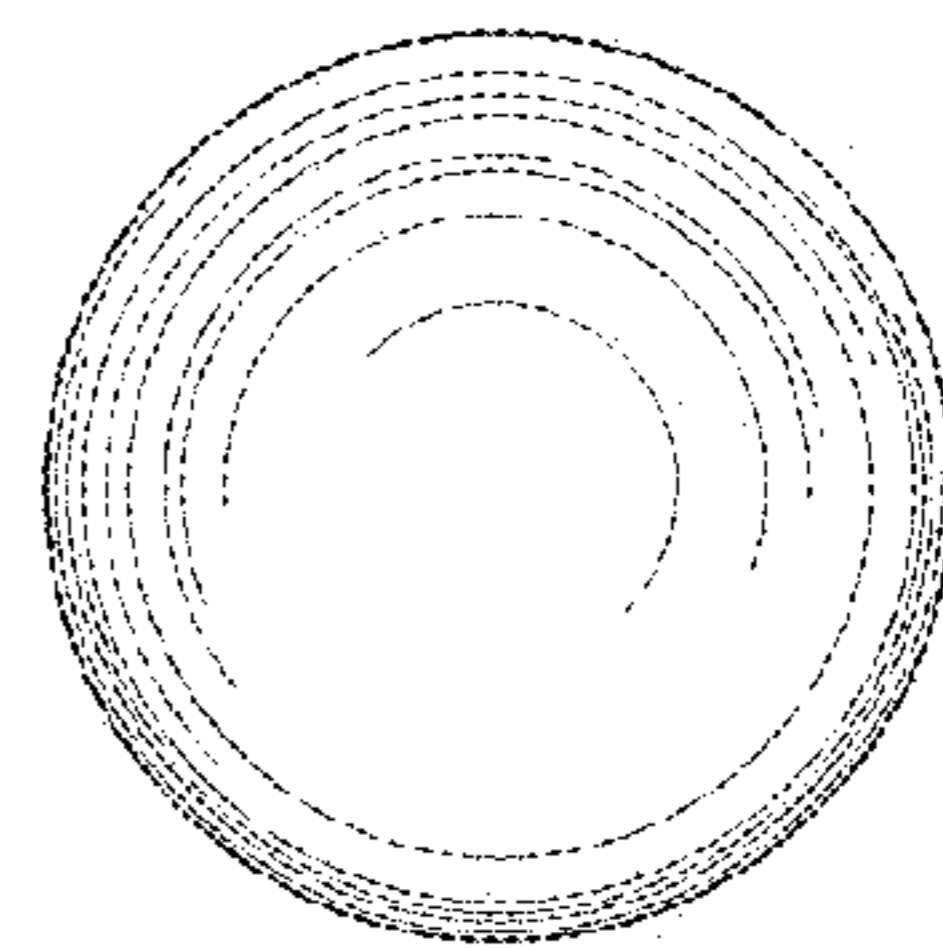
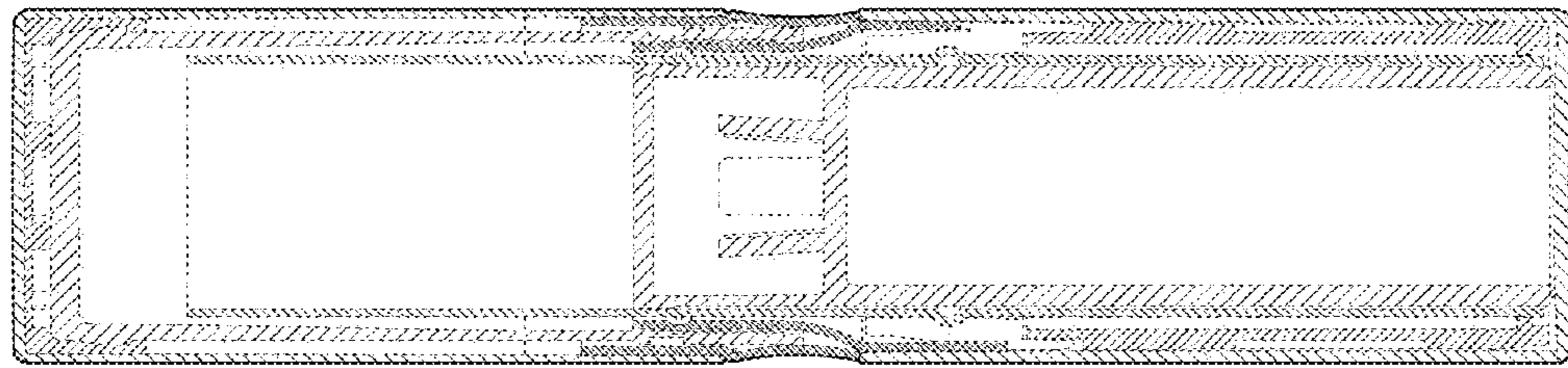


Fig.5



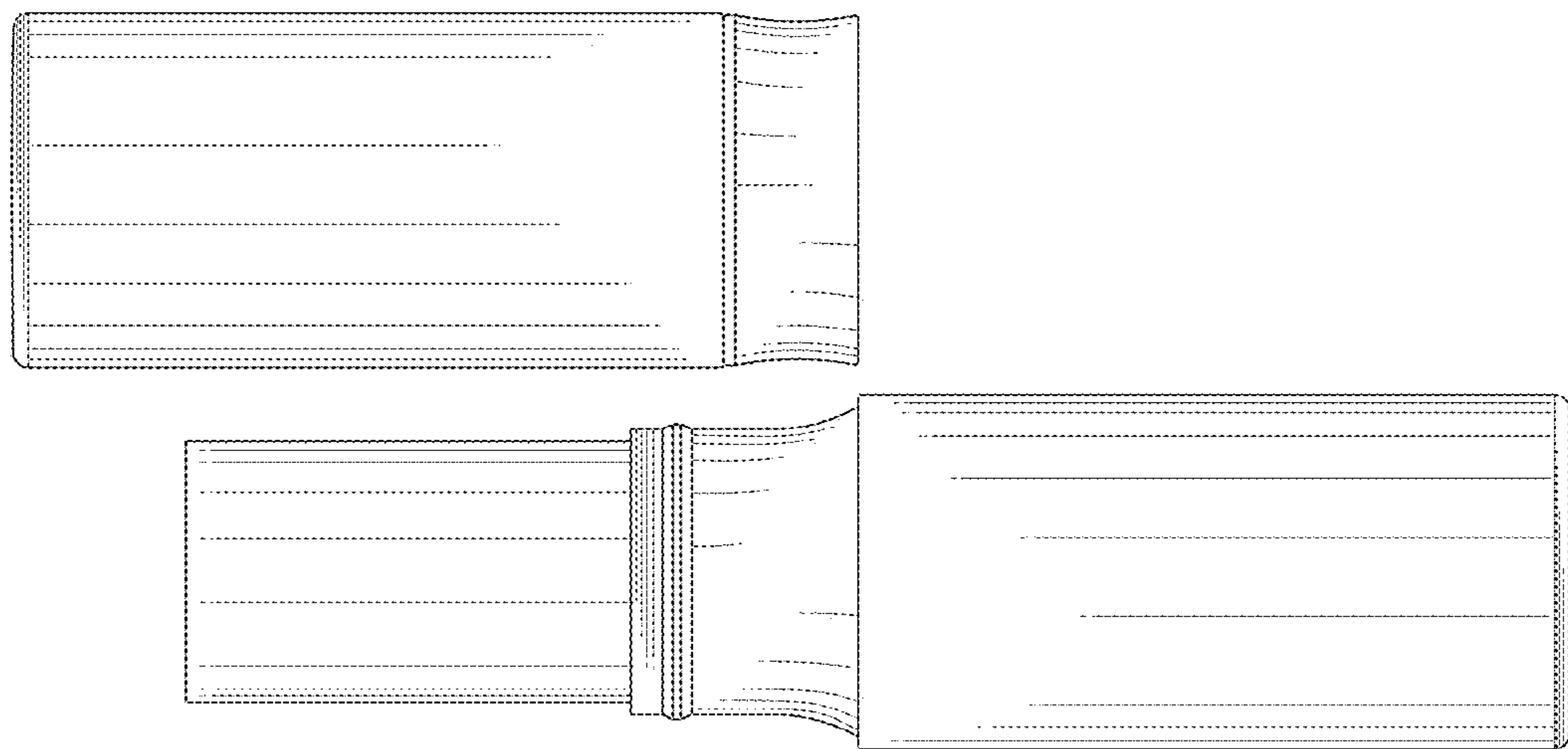


Fig.6