



US00D937489S

(12) **United States Design Patent** (10) **Patent No.:** **US D937,489 S**
Coates (45) **Date of Patent:** **** Nov. 30, 2021**

(54) **ELECTRIC TOOTHPICK HEAD**
(71) Applicant: **Eric Leonard Coates**, New South
Wales (AU)
(72) Inventor: **Eric Leonard Coates**, New South
Wales (AU)

D838,909 S * 1/2019 Martone A46B 5/021
D28/65
D843,061 S * 3/2019 Martone D28/65
D843,062 S * 3/2019 Martone D28/65
D843,063 S * 3/2019 Martone D28/65
D854,249 S * 7/2019 Dombrowski D28/65
D872,941 S * 1/2020 Horenbaum D28/65
D880,069 S * 3/2020 Horenbaum D28/65

(**) Term: **15 Years**

* cited by examiner

(21) Appl. No.: **35/510,185**

Primary Examiner — Khawaja Anwar

(22) Filed: **Jun. 18, 2020**

(57) **CLAIM**

The ornamental design for an electric toothpick head, as shown and described.

(80) **Hague Agreement Data**

Int. Filing Date: **Jun. 18, 2020**
Int. Reg. No.: **DM/208902**
Int. Reg. Date: **Jun. 18, 2020**
Int. Reg. Pub. Date: **Aug. 28, 2020**

DESCRIPTION

(51) **LOC (13) Cl.** **28-03**

(52) **U.S. Cl.**
USPC **D28/65**

(58) **Field of Classification Search**
USPC D28/65-68; D4/104; D24/152
CPC A61C 15/02; A61C 15/046; A61C 15/041;
A61C 17/0211; A61C 17/028; A61C
17/22; A61C 19/06; A61C 9/0053
See application file for complete search history.

- 1. Electric toothpick head
- 1.1 : Right front perspective view
- 1.2 : Left rear perspective view
- 1.3 : Front elevation view
- 1.4 : Rear elevation view
- 1.5 : Top plan view
- 1.6 : Bottom plan view
- 1.7 : Right elevation view
- 1.8 : Left elevation view
- 1.9 : Enlarged partial view
- 1.10: Enlarged partial view

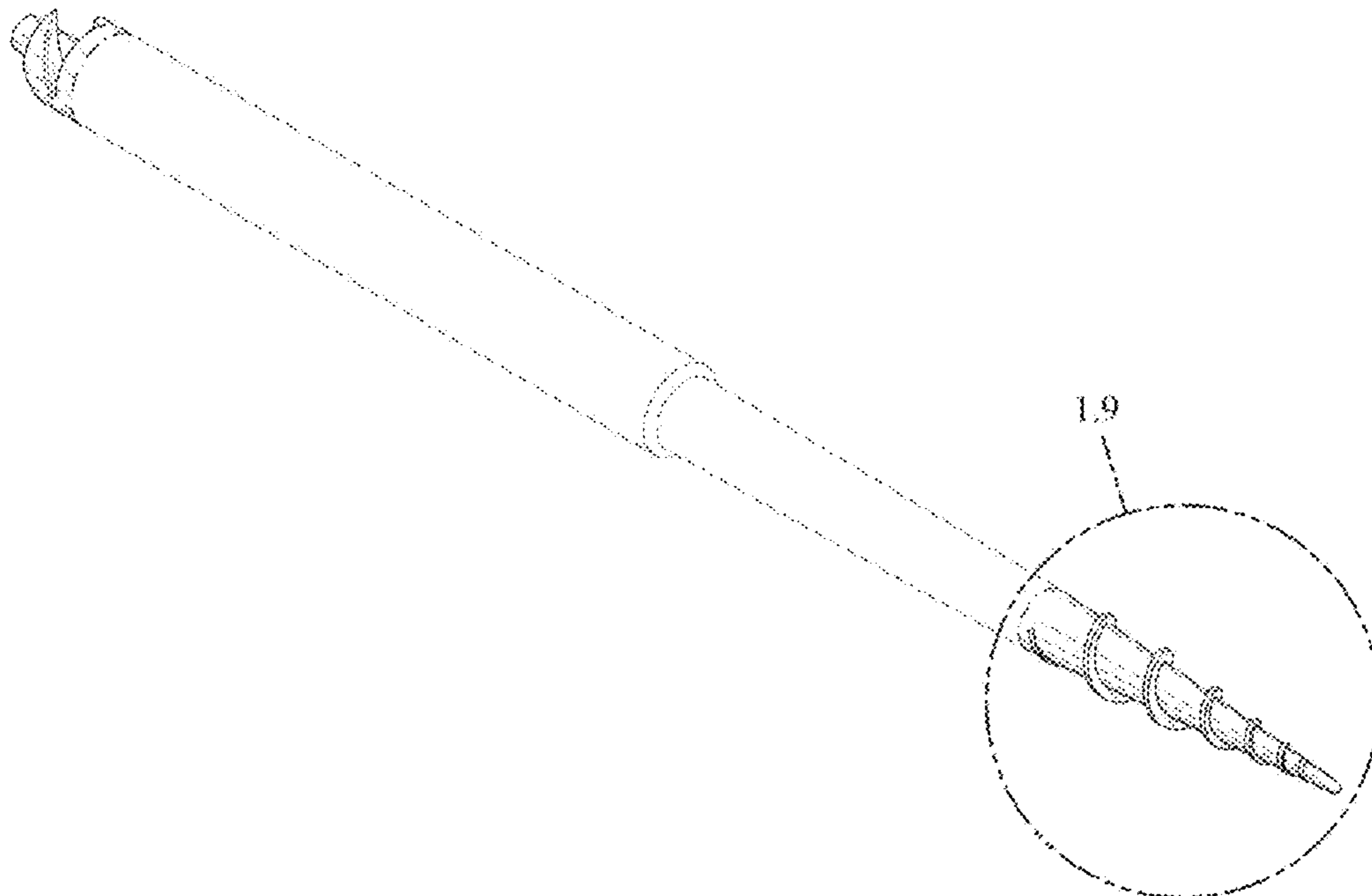
Fig. 1.9 is an enlarged view of portion 1.9 of fig. 1.1; fig. 1.10 is an enlarged view of portion 1.10 of fig. 1.2; in figs. 1.1 to 1.10, the broken lines of even length depict portions of the electric toothpick head that form no part of the claimed design, the dash-dot lines depict the boundary of the claimed design but form no part thereof, and the long dash-short dash-short dash lines depict boundaries but form no part of the claimed design.

(56) **References Cited**

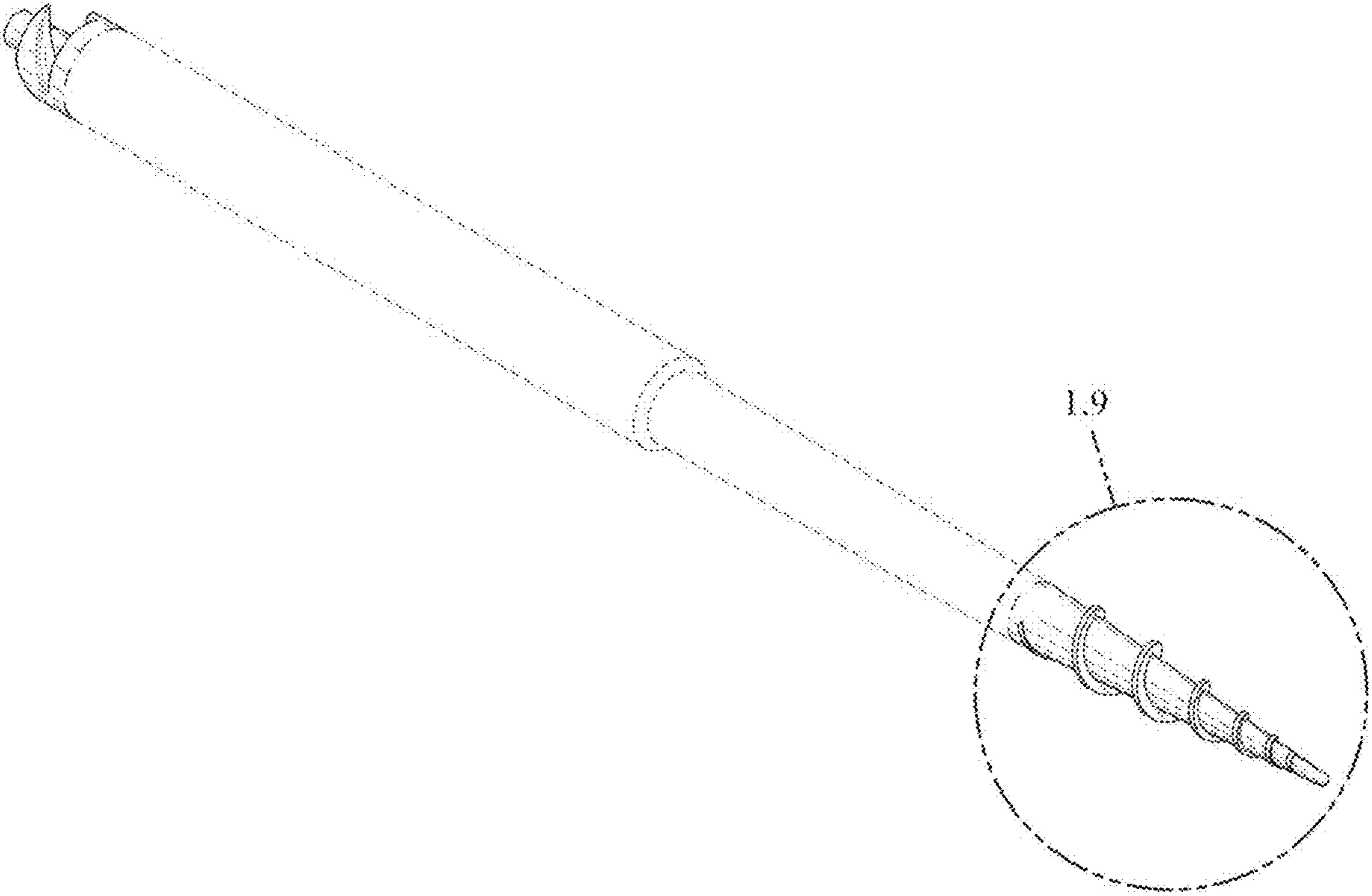
U.S. PATENT DOCUMENTS

D571,043 S * 6/2008 Crossman D28/65
D721,851 S * 1/2015 Huang D28/65
D764,103 S * 8/2016 Wallstrom D28/65
D775,765 S * 1/2017 Schmidt D28/65
D787,128 S * 5/2017 Butz D28/65

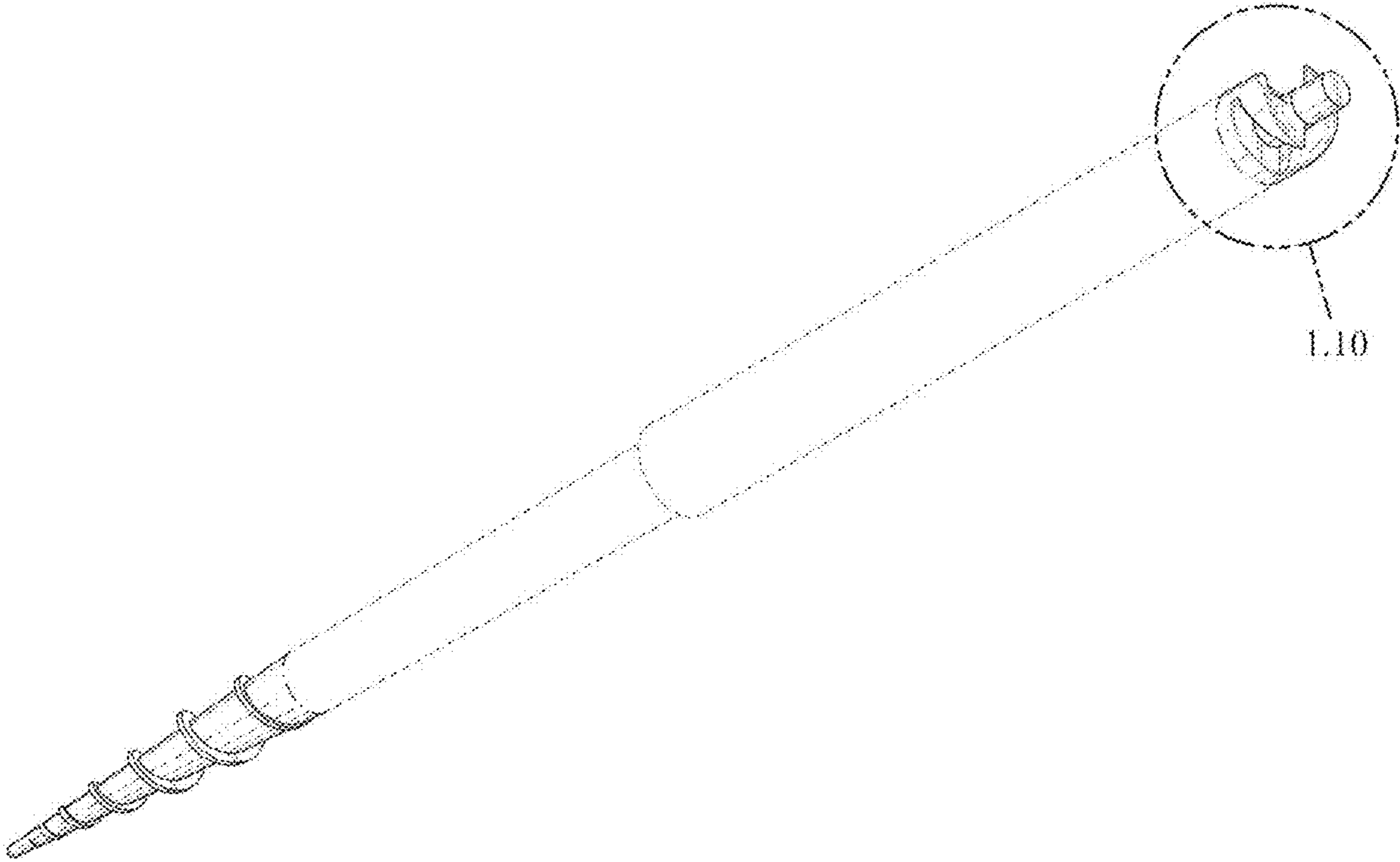
1 Claim, 10 Drawing Sheets



1.1



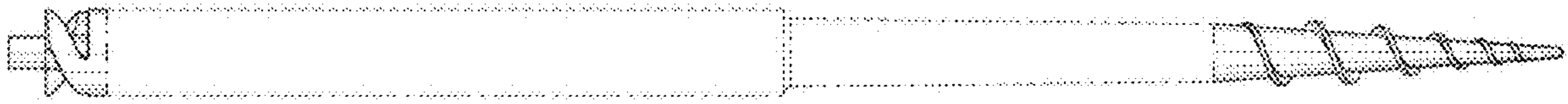
1.2



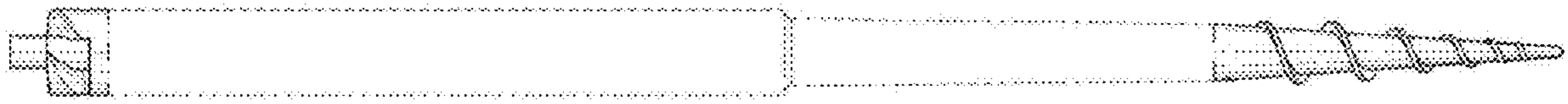
1.3



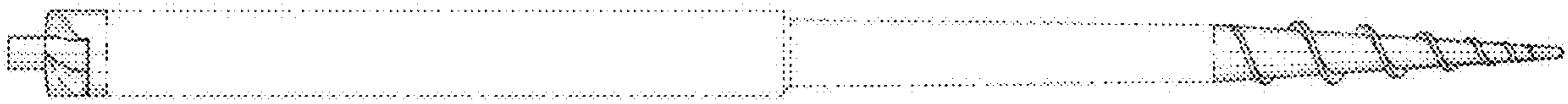
1.4



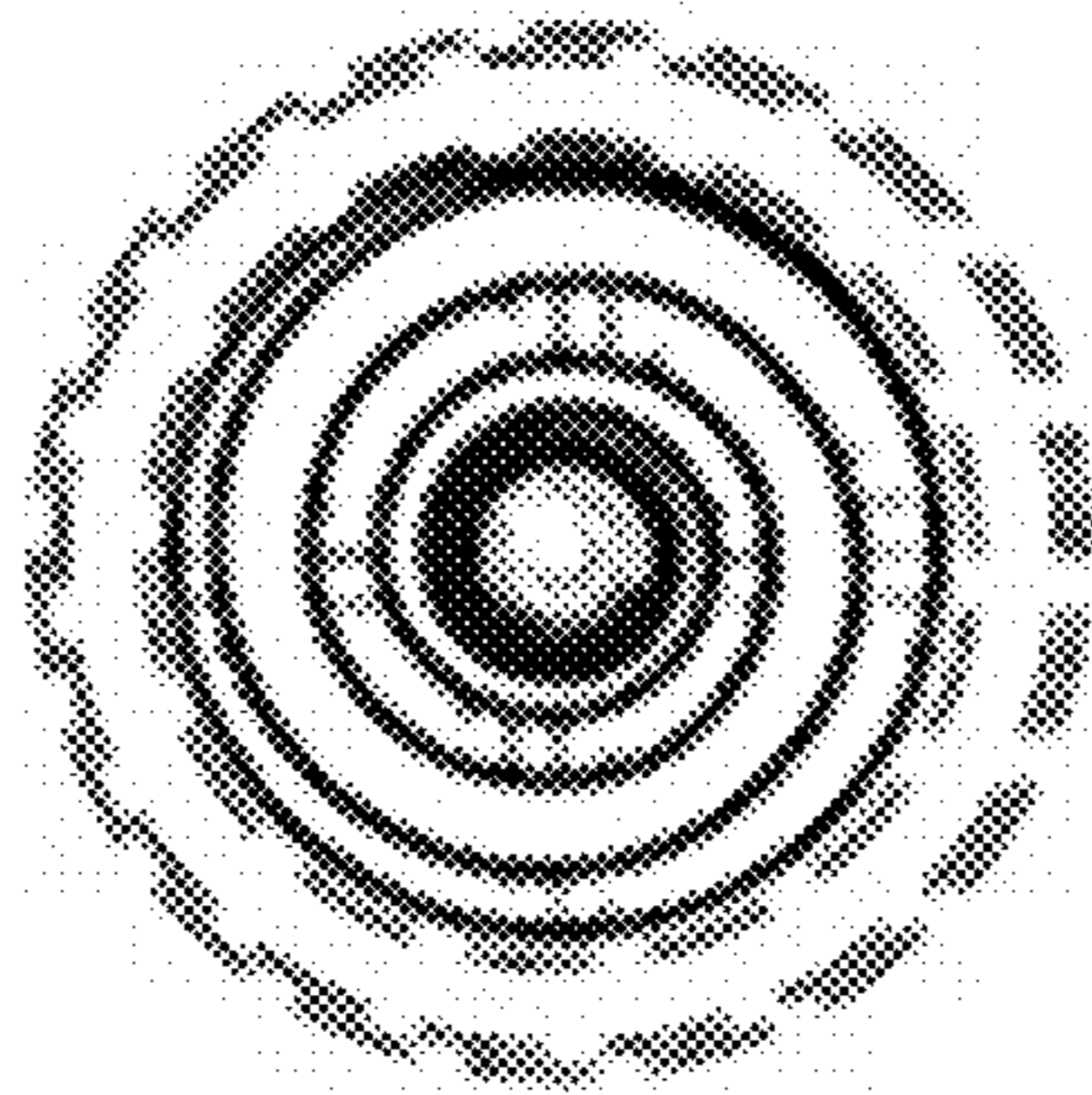
1.5



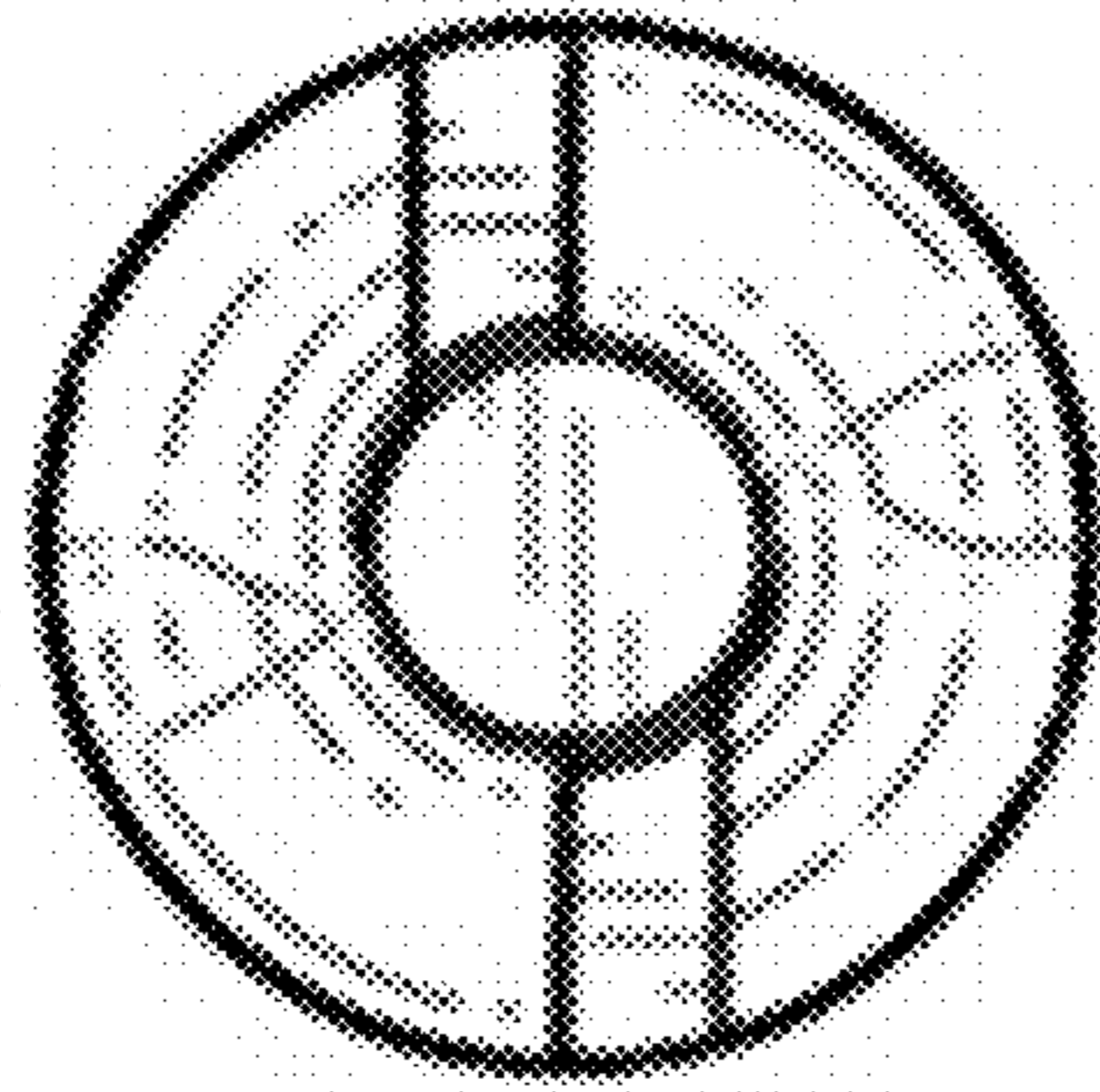
1.6



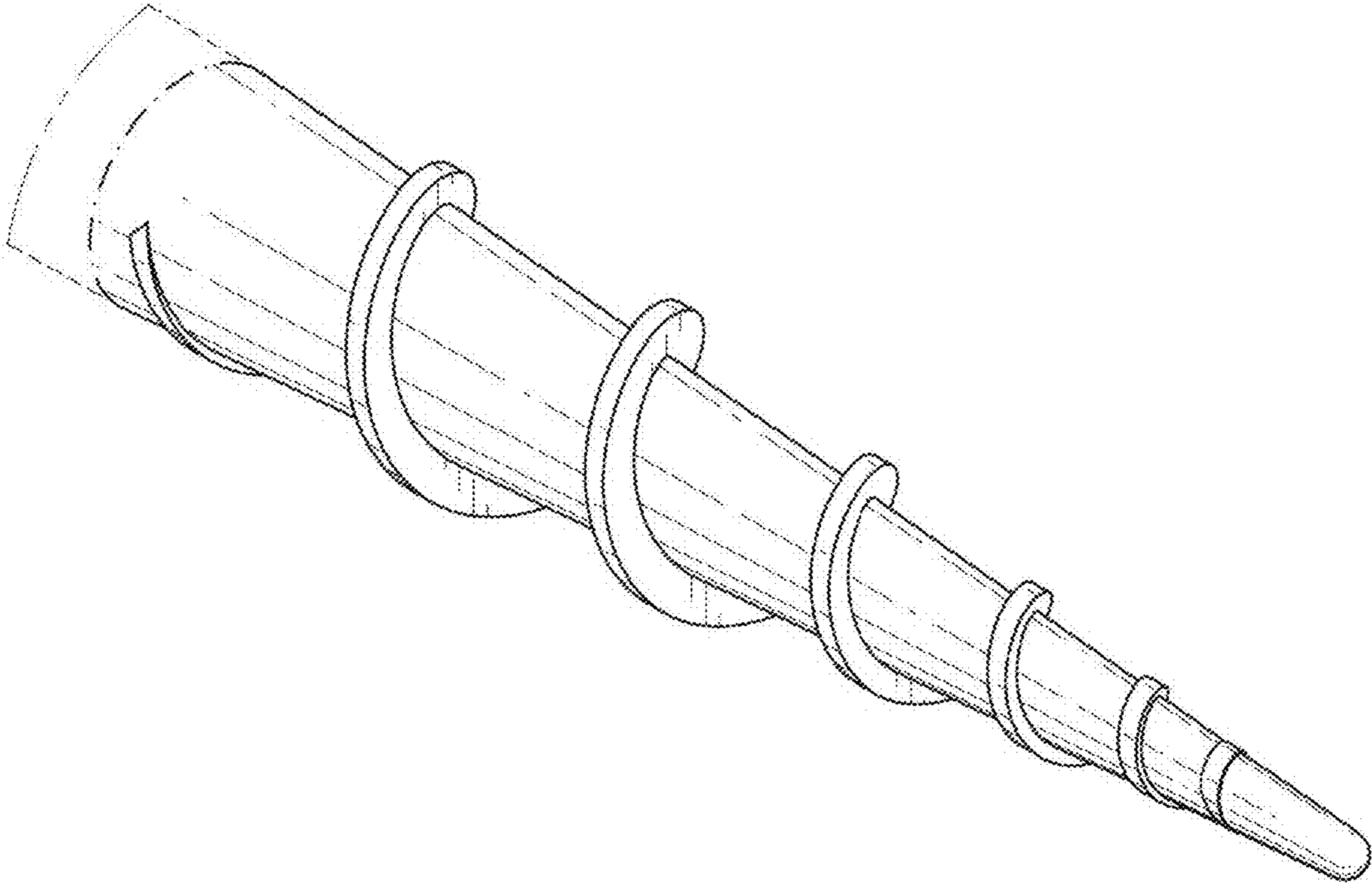
1.7



1.8



1.9



1.10

