



US00D937488S

(12) **United States Design Patent** (10) **Patent No.:** **US D937,488 S**  
**Barnes** (45) **Date of Patent:** **\*\* Nov. 30, 2021**

(54) **PAIR OF NAIL CLIPPER HANDLES**

(71) Applicant: **Jonathan R. Barnes**, San Jose, CA (US)

(72) Inventor: **Jonathan R. Barnes**, San Jose, CA (US)

(\*\*) Term: **15 Years**

(21) Appl. No.: **29/753,952**

(22) Filed: **Oct. 5, 2020**

(51) **LOC (13) Cl.** ..... **28-03**

(52) **U.S. Cl.**  
USPC ..... **D28/60**

(58) **Field of Classification Search**  
USPC ..... D28/60, 55-57; D8/4, 52, 80; D7/393, D7/395, 683, 686, 687  
CPC ..... A45D 29/02; A45D 29/06; A45D 29/18; A45D 29/00; A45D 29/23; A45D 2029/26  
See application file for complete search history.

(56) **References Cited**

**U.S. PATENT DOCUMENTS**

3,744,131 A	7/1973	Manes	
5,063,666 A	11/1991	Tsay	
5,261,160 A	11/1993	Castegna	
D400,311 S	10/1998	Chartrand	
D402,409 S	12/1998	Kaneko	
5,918,375 A *	7/1999	Rossi, III	A45D 29/02 33/485
D448,523 S	9/2001	Kramer	
D593,712 S *	6/2009	Han	D28/60

(Continued)

**FOREIGN PATENT DOCUMENTS**

CN	202999719 U	6/2013
CN	201528781 U	7/2017

(Continued)

**OTHER PUBLICATIONS**

Nail Clipper By: Morcar found on Amazon Apr. 22, 2021 <https://www.amazon.com/Morcare-Toenail-Clipper-Toenails-Precision/dp/B0142BIJTG#customerReviews> (Jun. 16, 2019).\*

*Primary Examiner* — Marissa J Cash

*Assistant Examiner* — Rebecca Tsehaye

(74) *Attorney, Agent, or Firm* — Douglas L. Weller

(57) **CLAIM**

The ornamental design for pair of nail clipper handles, as shown and described.

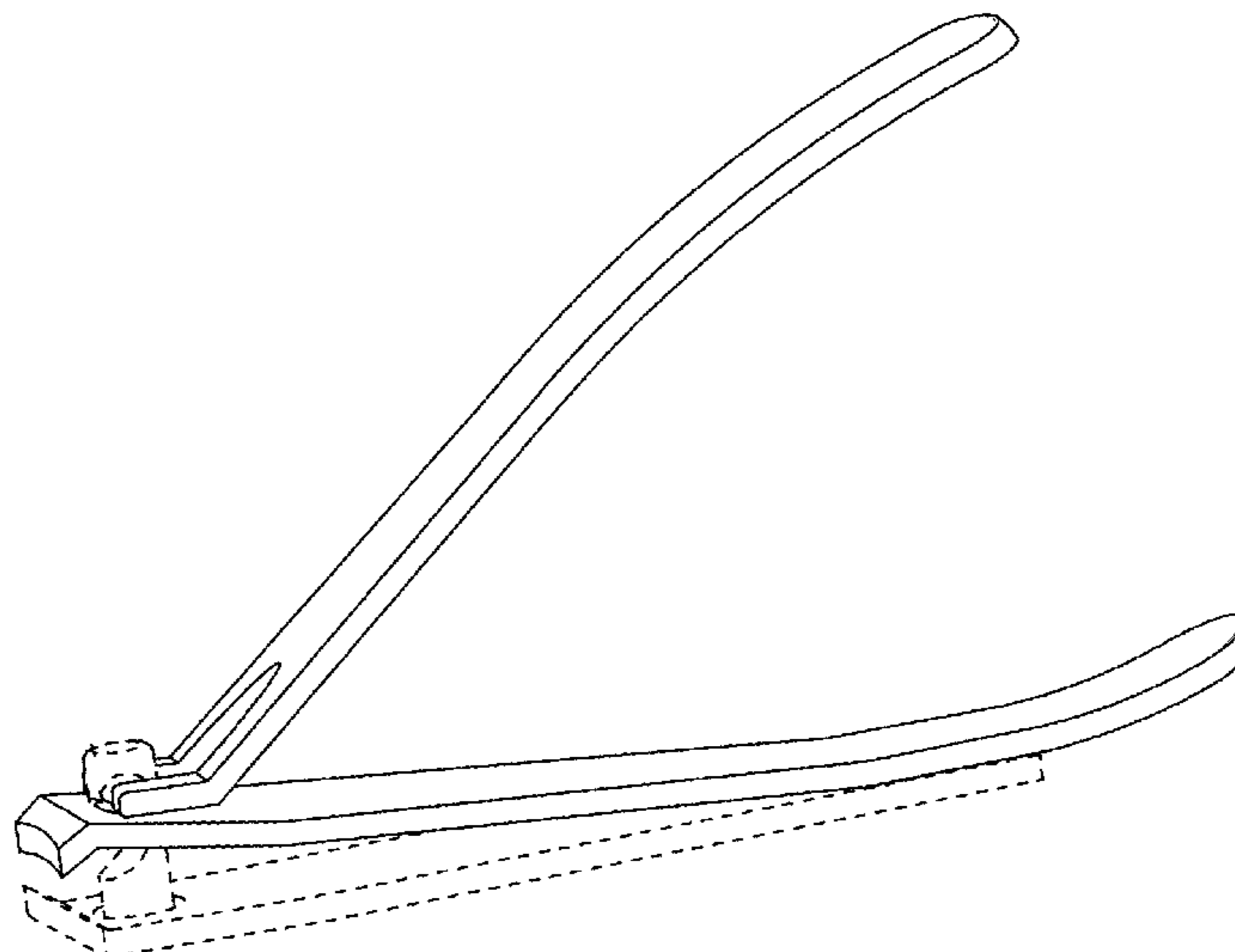
**DESCRIPTION**

FIG. 1 is a front left top perspective view.  
 FIG. 2 is a rear left bottom perspective view.  
 FIG. 3 is a left side view, the right being a mirror image of the left.  
 FIG. 4 is a top view.  
 FIG. 5 is a bottom view.  
 FIG. 6 is a front left top perspective view in an open position.  
 FIG. 7 is a rear left bottom perspective view in the open position.  
 FIG. 8 is a left side view in the open position, the right being a mirror image of the left.  
 FIG. 9 is a top view in the open position.  
 FIG. 10 is a bottom view in the open position.  
 FIG. 11 is a front left top perspective view of the top pair of nail clipper handles removed from the set for clarity of disclosure; and,  
 FIG. 12 is a rear left bottom perspective view of the handle below the top pair of nail clipper handles removed from the set for clarity of disclosure.

In the drawings, the broken lines are included only for the purpose of illustrating environment and form no part of the claimed design.

In the drawings, boundary lines are shown as dotted and dashed lines. The claimed subject matter extends to the boundary but does not include the boundary.

**1 Claim, 5 Drawing Sheets**



(56)

**References Cited**

U.S. PATENT DOCUMENTS

D612,103 S \* 3/2010 Sugiyama ..... D28/55  
8,001,692 B2 \* 8/2011 Han ..... A45D 29/023  
30/28  
D813,460 S \* 3/2018 Ishida ..... D28/60  
D846,194 S \* 4/2019 Kim ..... D28/60  
D851,836 S \* 6/2019 Kim ..... D28/60  
D867,665 S \* 11/2019 Cacciotti ..... D28/60  
2004/0194795 A1 \* 10/2004 Cho ..... A45D 29/04  
132/73  
2007/0067995 A1 3/2007 Alfaro  
2008/0000088 A1 1/2008 Casillas et al.  
2008/0313908 A1 \* 12/2008 Han ..... A45D 29/023  
30/28  
2011/0061668 A1 \* 3/2011 Saenim ..... A45D 29/023  
132/200

FOREIGN PATENT DOCUMENTS

CN 207041175 U 2/2018  
KR 20090007792 8/2009  
KR 20160001819 5/2016

\* cited by examiner

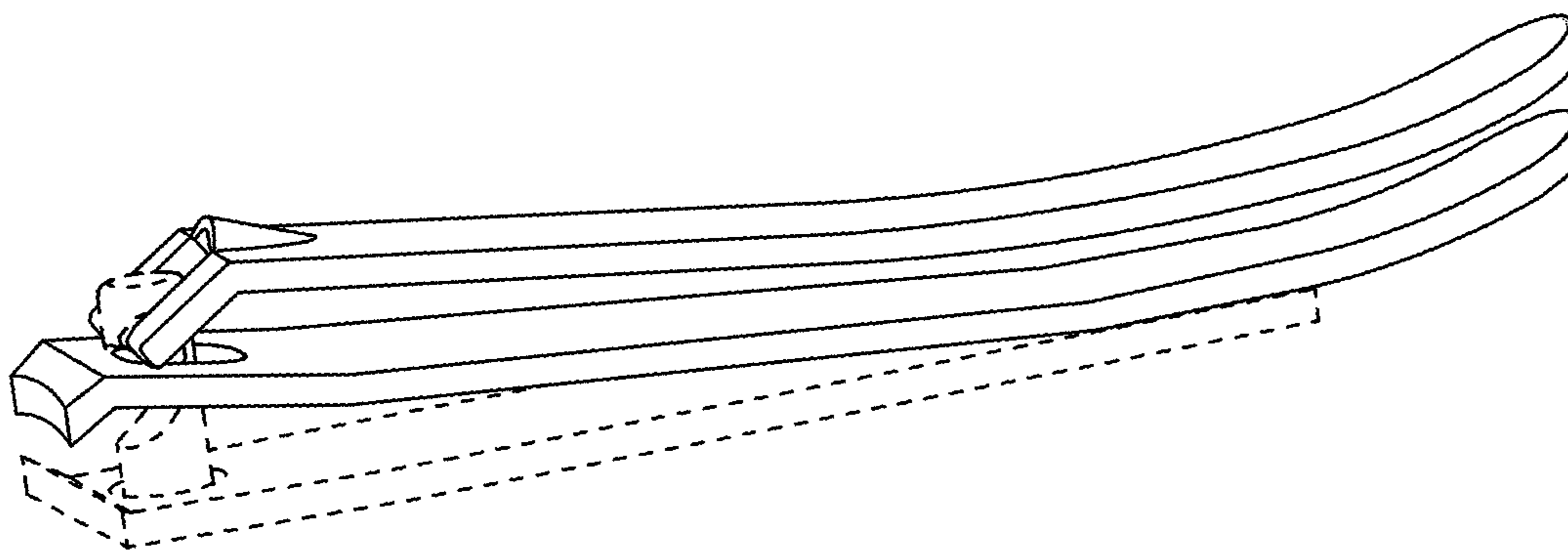


FIG. 1

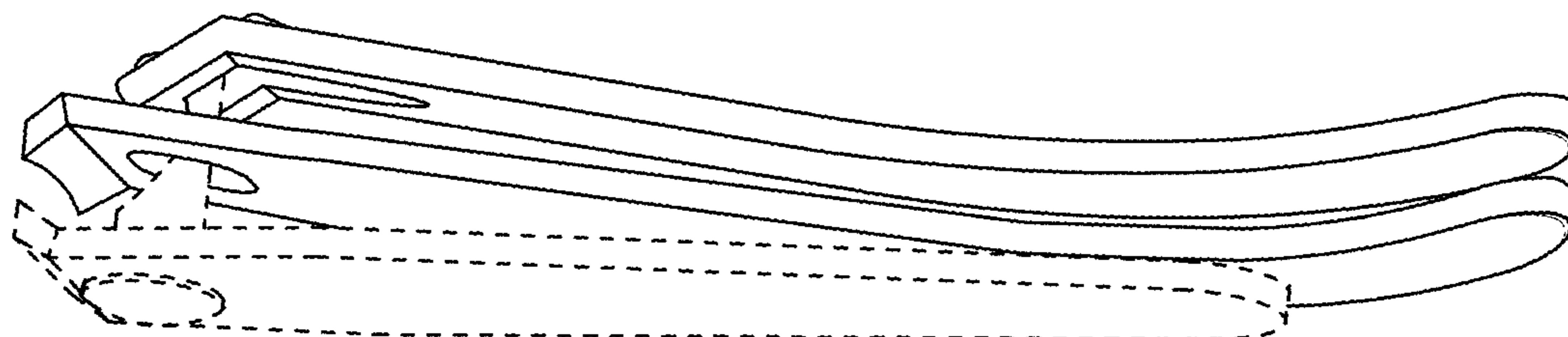


FIG. 2

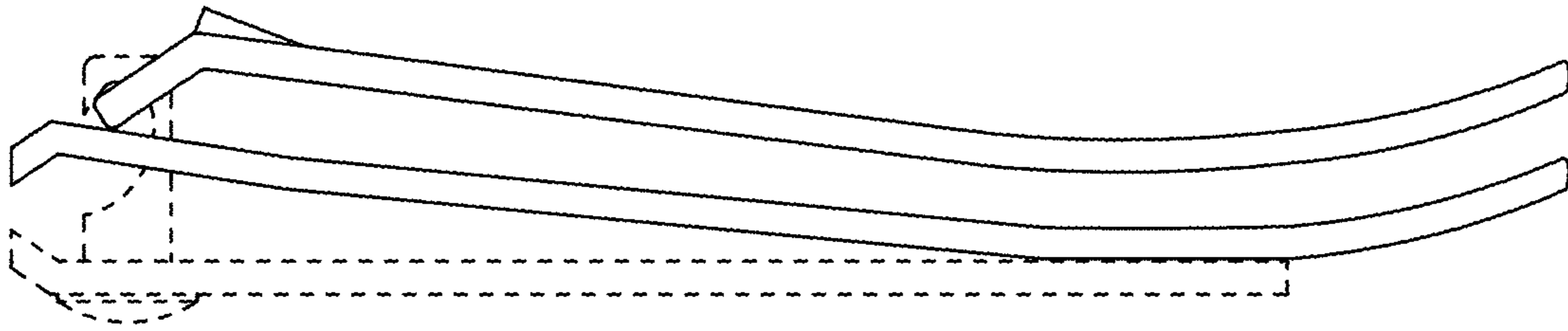


FIG. 3

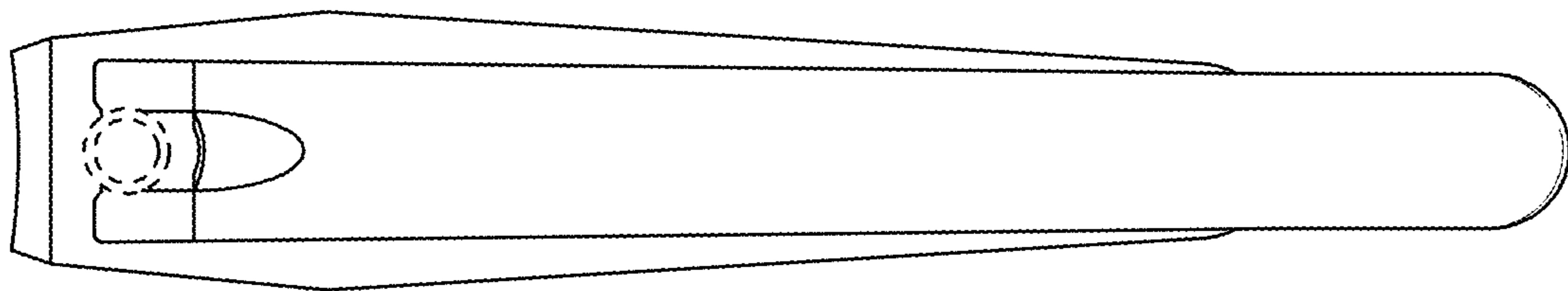


FIG. 4

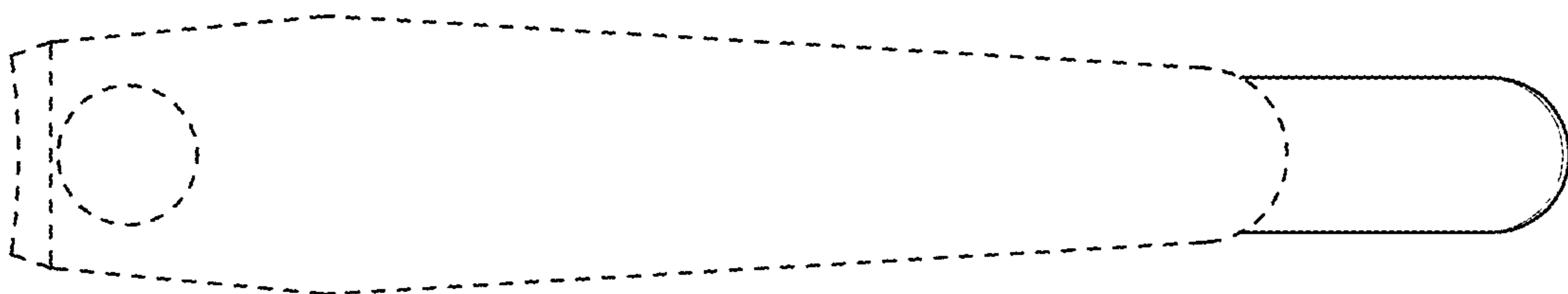


FIG. 5

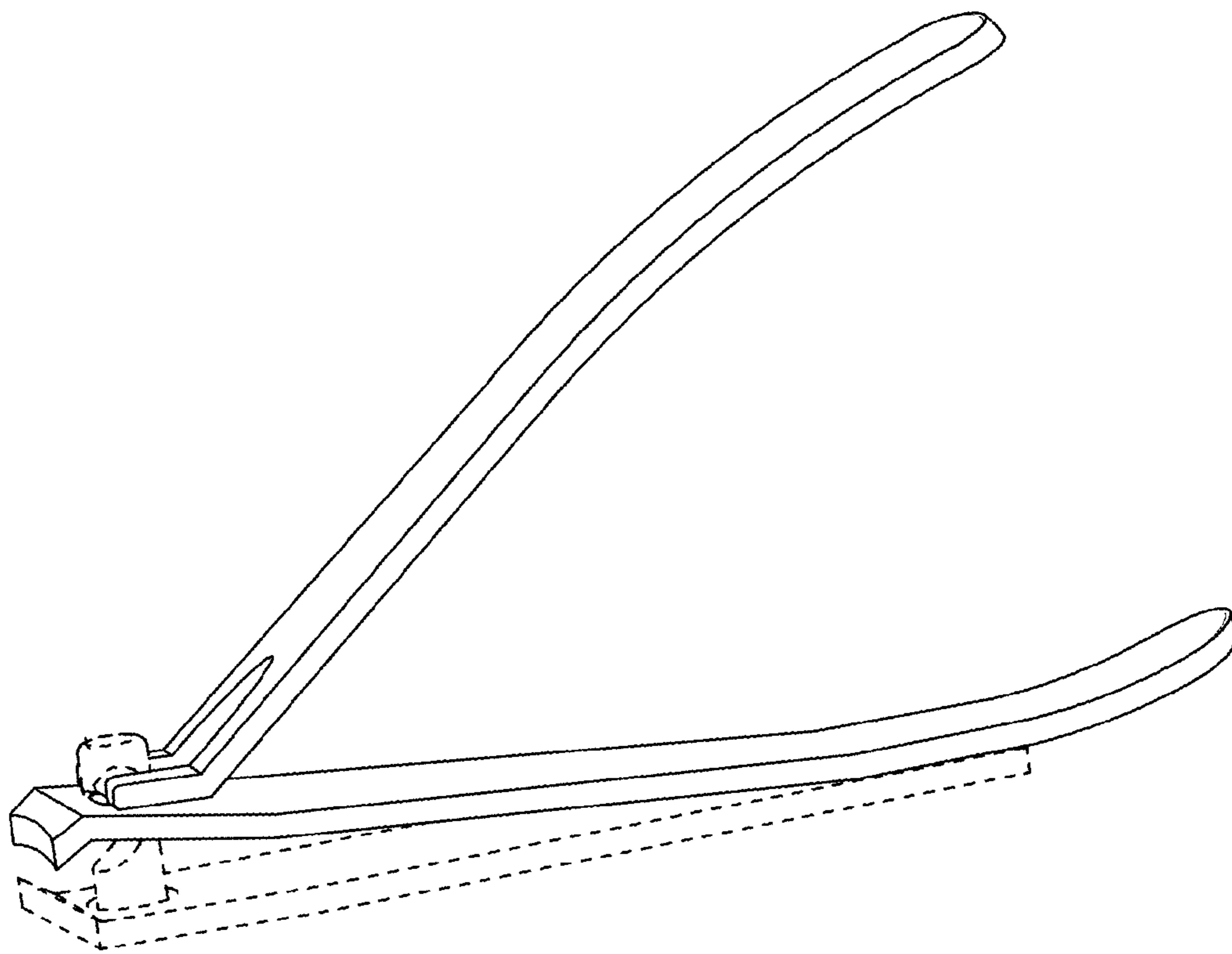


FIG. 6

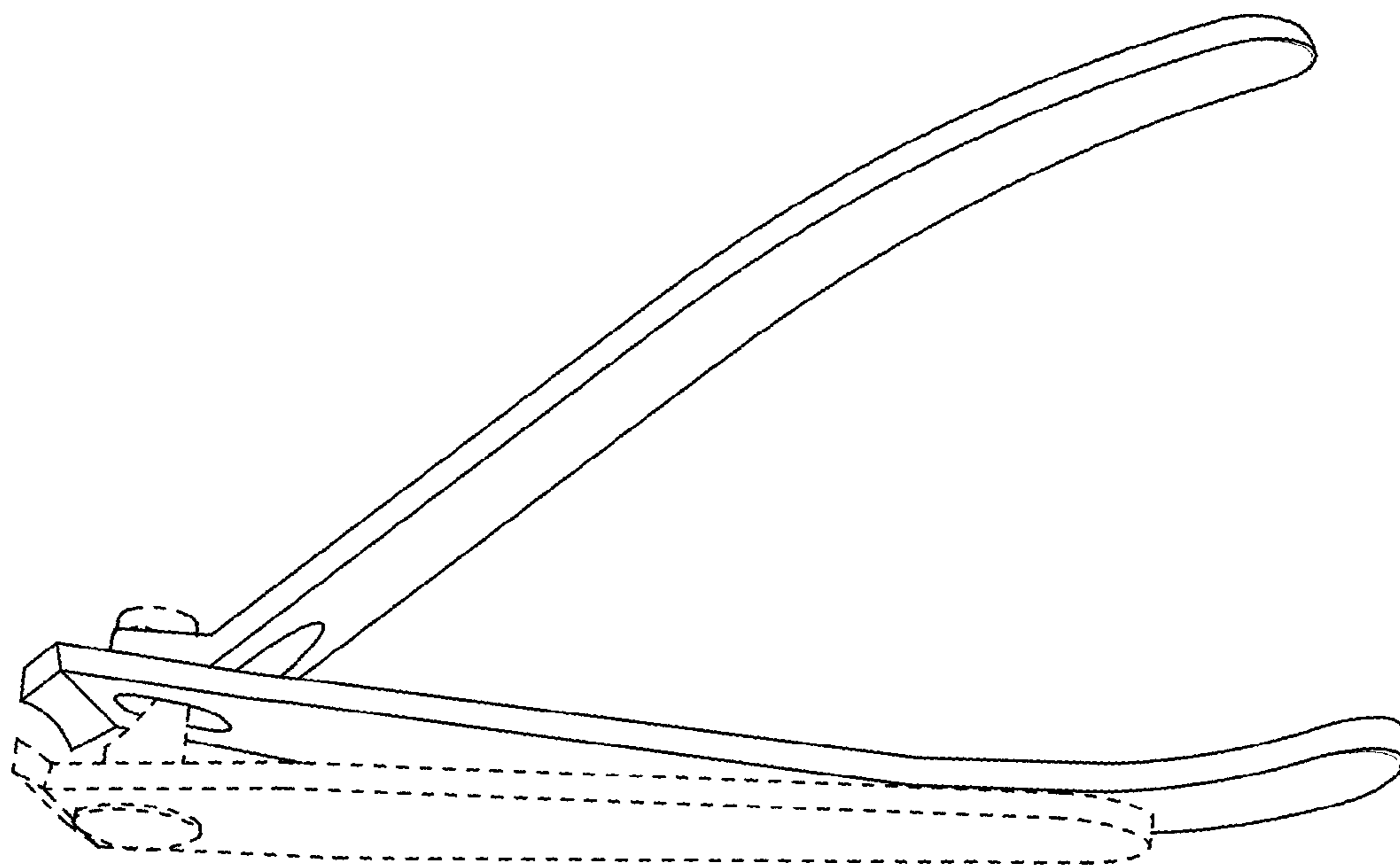


FIG. 7

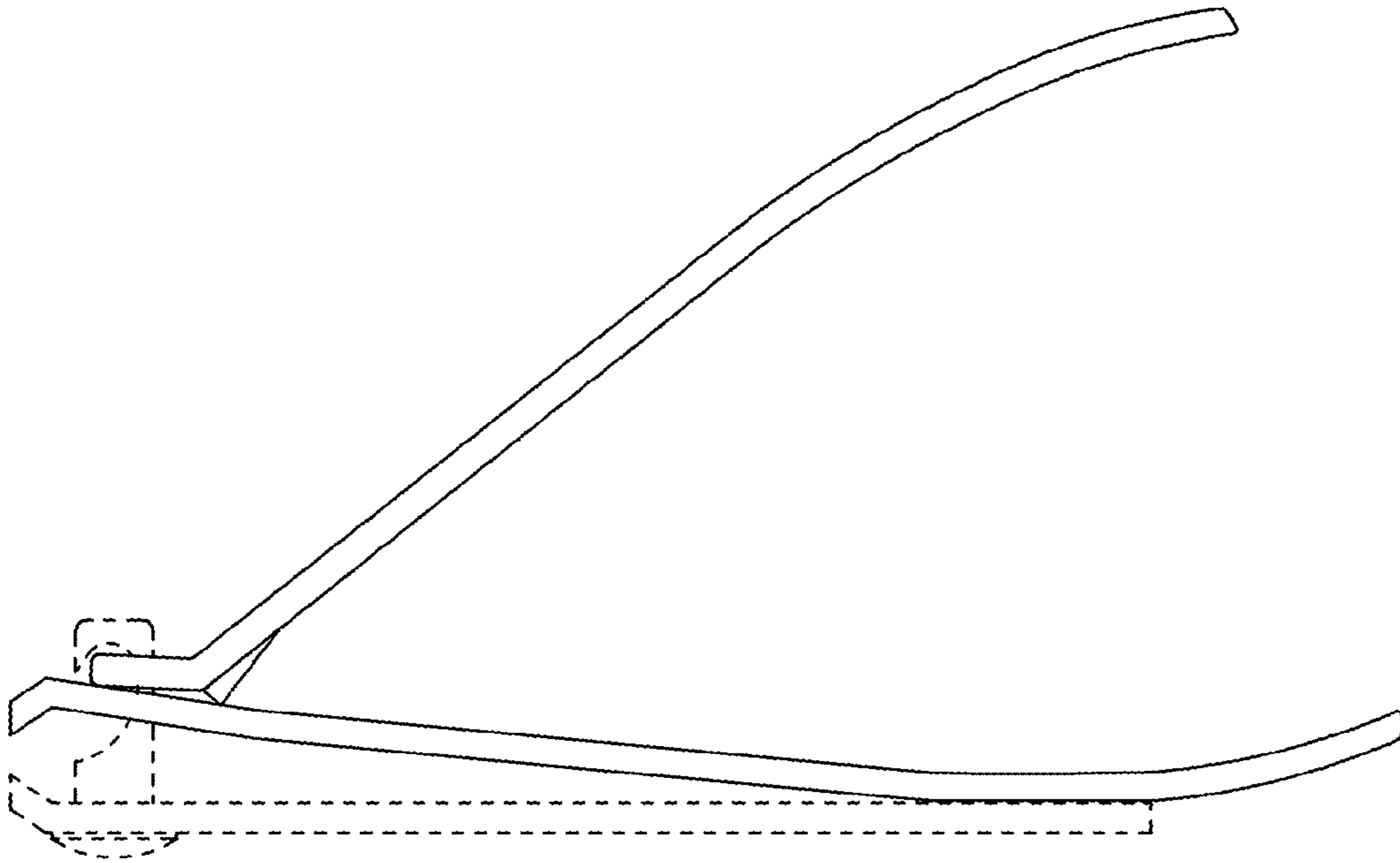


FIG. 8

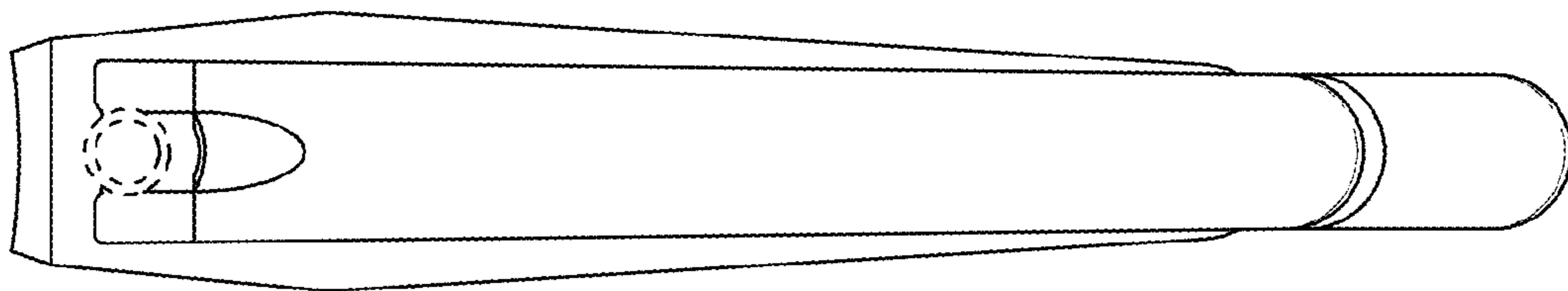


FIG. 9

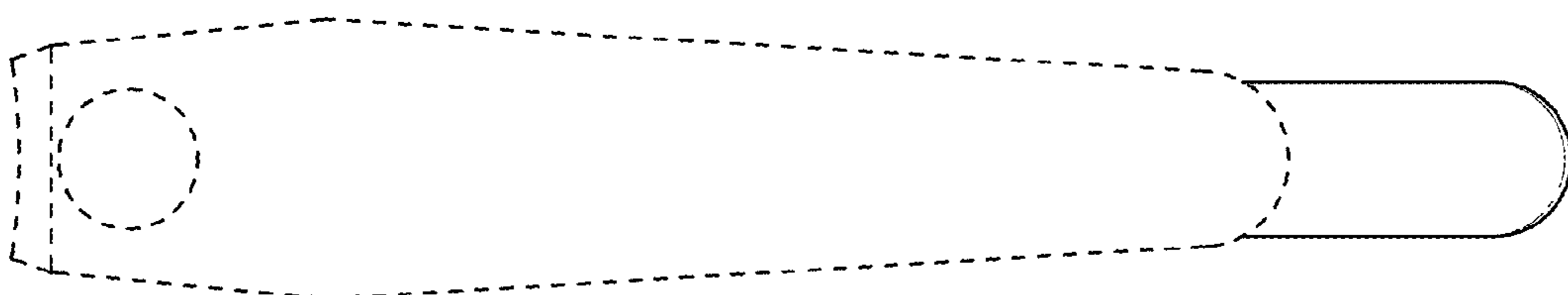


FIG. 10



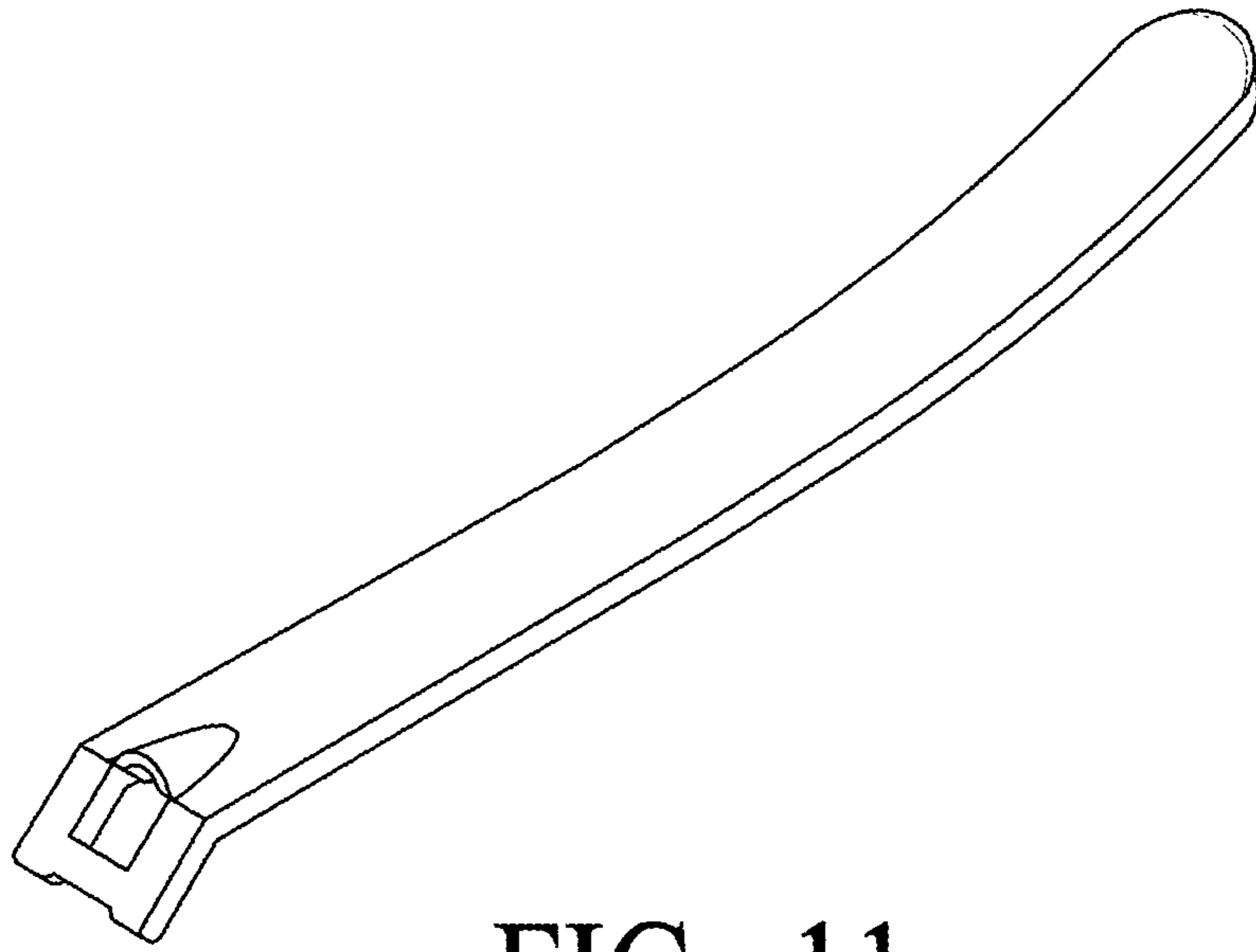


FIG. 11

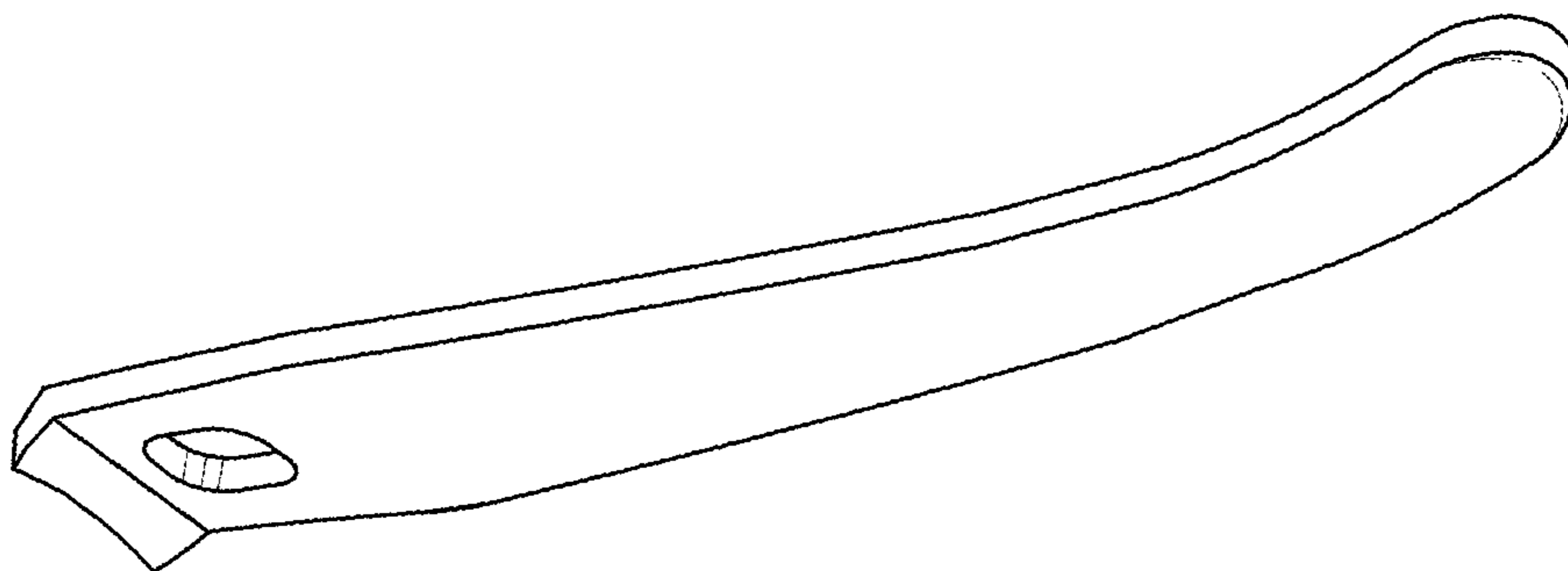


FIG. 12