



US00D937486S

(12) **United States Design Patent** (10) **Patent No.:** **US D937,486 S**  
**Qureshi et al.** (45) **Date of Patent:** **\*\* Nov. 30, 2021**

(54) **TWEEZER WITH SCOOP TIPS**  
(71) Applicant: **Tixodes LLC**, Weston, MA (US)  
(72) Inventors: **Abrar A. Qureshi**, Weston, MA (US);  
**M. Shoaib Mastoor**, Marriottesville,  
MD (US); **Wasif A. Qureshi**, West  
Chester, PA (US)

5,147,369 A 9/1992 Wagner  
D359,583 S 6/1995 Abbo  
5,693,069 A 12/1997 Shallman  
5,971,940 A 10/1999 Baker et al.  
6,179,847 B1 1/2001 Possum  
D454,981 S 3/2002 Lamagna et al.  
(Continued)

(73) Assignee: **TIXODES, LLC**, Weston, MA (US)  
(\*\*) Term: **15 Years**

FOREIGN PATENT DOCUMENTS  
CN 200977190 Y 11/2007  
EP 2422720 A1 2/2012

(21) Appl. No.: **29/718,728**  
(22) Filed: **Dec. 27, 2019**

OTHER PUBLICATIONS

Integra Lifesciences Corporation, "Miltex Bennet Cilia Forceps",  
viewed on the internet on Jun. 4, 2014, <<https://www.ebay.com/>>.  
(Continued)

**Related U.S. Application Data**

(63) Continuation of application No. 29/629,770, filed on  
Dec. 15, 2017, now Pat. No. Des. 871,673.

*Primary Examiner* — Jennifer Rivard  
(74) *Attorney, Agent, or Firm* — Myers Wolin, LLC

(51) **LOC (13) Cl.** ..... **28-03**  
(52) **U.S. Cl.**  
USPC ..... **D28/55**; D24/143

(57) **CLAIM**

The ornamental design for a tweezer with scoop tips, as  
shown and described.

(58) **Field of Classification Search**  
USPC ..... D28/55; D24/143  
CPC ..... A61B 17/20; A61B 17/28; A61B 17/50;  
A61B 17/29; A61B 17/30; A61B  
2017/305; A45D 26/0066  
See application file for complete search history.

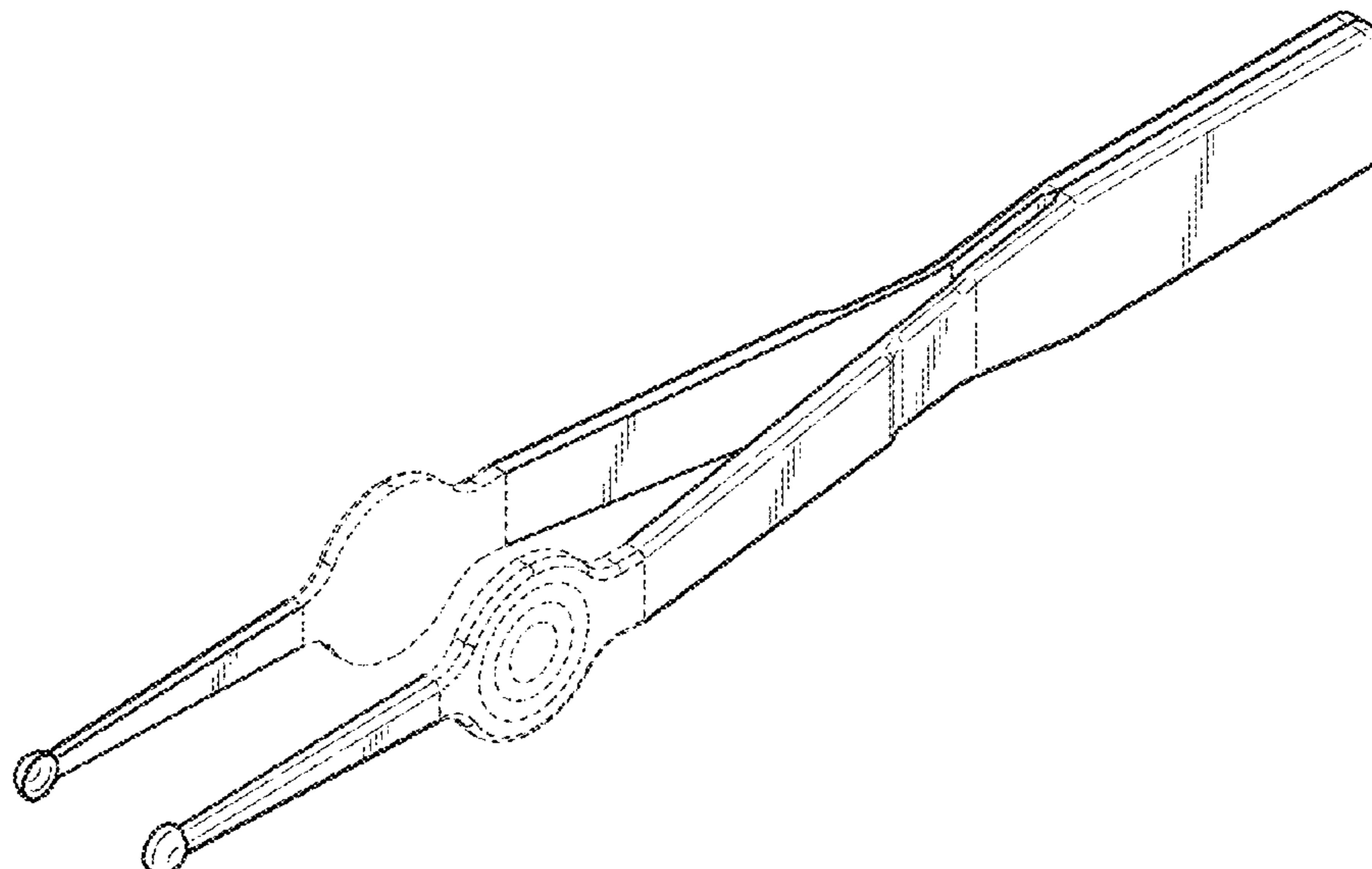
**DESCRIPTION**

FIG. 1 is perspective view of an embodiment of a tweezer  
with scoop tips showing our new design.  
FIG. 2 is a perspective view from the opposite side thereof;  
FIG. 3 is a top plan view thereof, the bottom view being  
identical;  
FIG. 4 is a front elevational view thereof, the rear view being  
identical;  
FIG. 5 is a left side elevational view thereof;  
FIG. 6 is a right side elevational view thereof; and,  
FIG. 7 is a top plan view thereof showing the tweezer with  
scoop tips in a state of use.  
The broken lines illustrate a portion of the tweezer with  
scoop tips and form no part of the claimed design.

(56) **References Cited**  
U.S. PATENT DOCUMENTS

896,338 A 1/1908 Tolman  
1,461,670 A 7/1923 Mills  
D138,784 S 9/1944 Shonta  
D212,166 S 9/1968 Hill  
4,213,460 A 7/1980 Weiner  
4,226,459 A 10/1980 Natalicio  
4,593,694 A 6/1986 Langenbach, Jr.  
4,976,718 A 12/1990 Daniell  
5,002,323 A 3/1991 Idsund

**1 Claim, 2 Drawing Sheets**



(56)

**References Cited**

U.S. PATENT DOCUMENTS

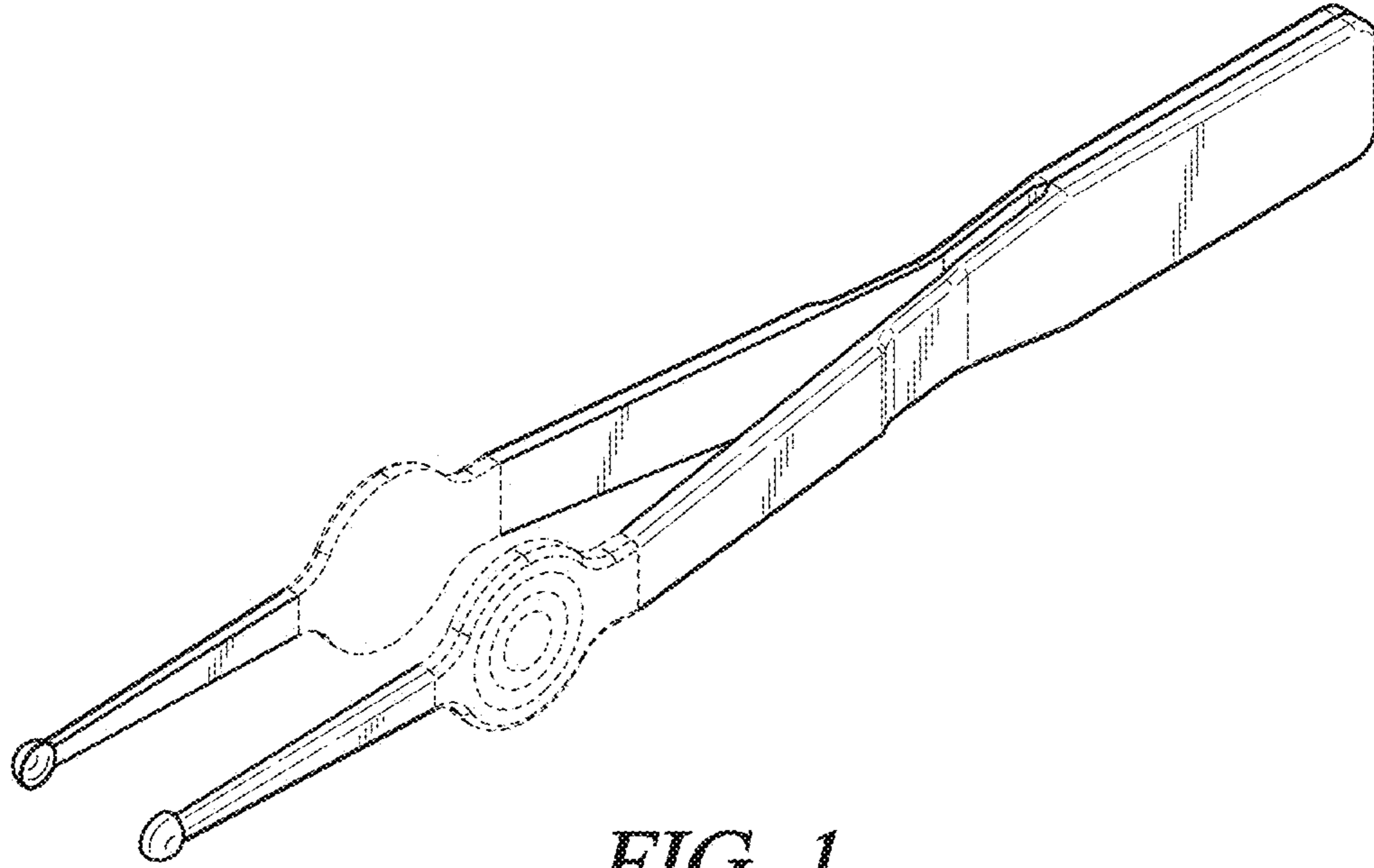
6,471,515 B2 \* 10/2002 Feuer ..... A61B 17/30  
433/162  
D472,675 S 4/2003 Lamagna  
D483,909 S 12/2003 Todeschini  
D507,160 S 7/2005 Bertulis  
D507,678 S 7/2005 Lamagna  
D569,553 S \* 5/2008 Cho ..... D28/55  
D581,227 S 11/2008 Pinkston et al.  
D584,449 S 1/2009 Shaljian  
D588,746 S 3/2009 Ross  
7,621,742 B2 11/2009 Michaelson  
D640,005 S \* 6/2011 Lee ..... D28/55  
8,052,700 B2 11/2011 Dunn  
D657,496 S 4/2012 Flatt  
8,844,193 B2 9/2014 Luongo  
D718,498 S \* 11/2014 Gu ..... D28/55  
D871,673 S \* 12/2019 Qureshi ..... D28/55  
D923,787 S \* 6/2021 Tsukayama ..... D24/143  
2008/0312669 A1 12/2008 Vries et al.

2011/0278869 A1\* 11/2011 Lee ..... B25B 9/02  
294/2  
2013/0245421 A1 9/2013 Andrus et al.  
2015/0148840 A1 5/2015 Francis

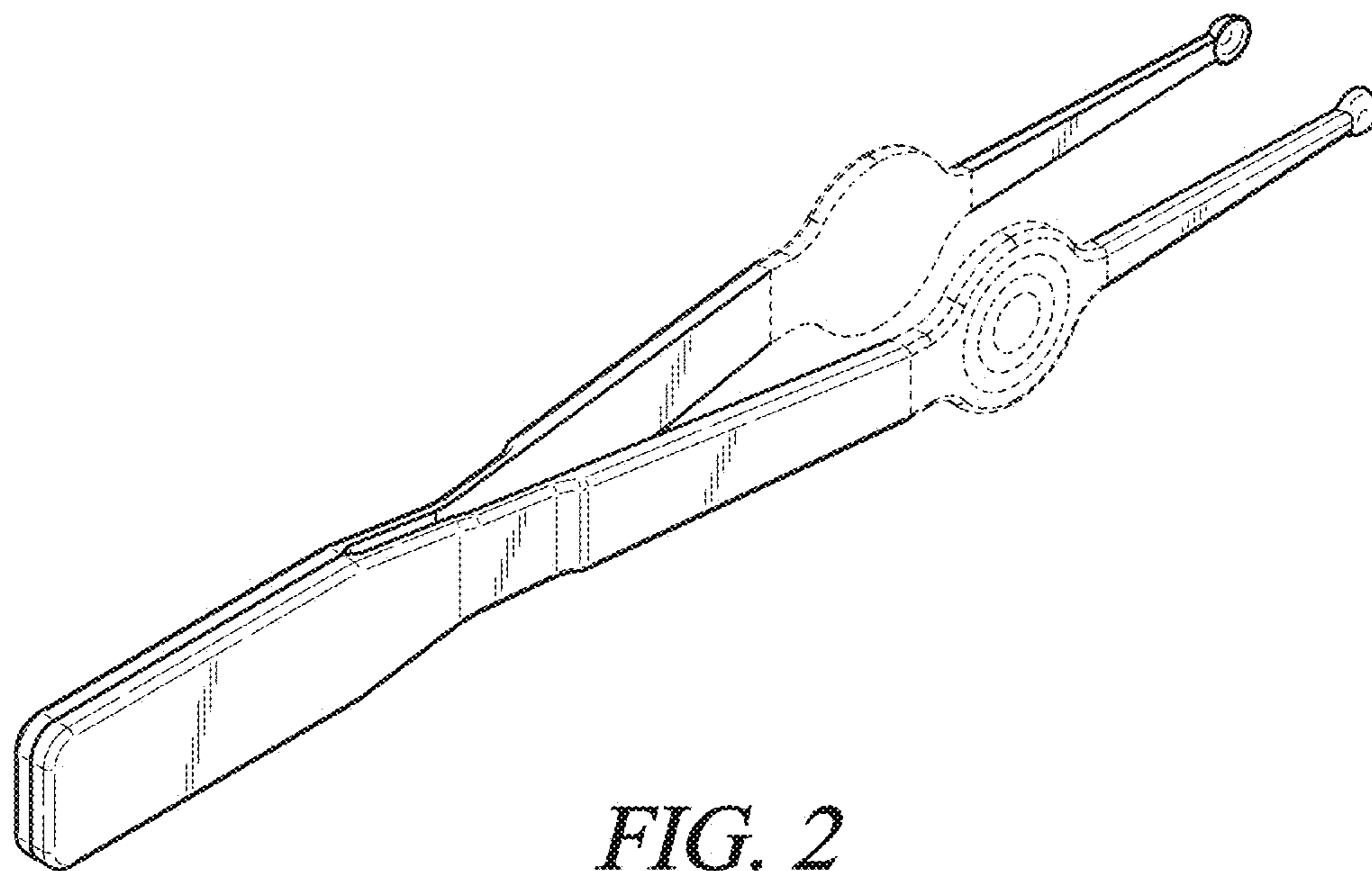
OTHER PUBLICATIONS

Shenzhen Danver Gem Tool Co. Ltd., “Pearl Tweezers with Cupped Tips”, viewed on the internet on Jun. 4, 2014, <<http://jewelryloupe.com/>>.  
Artfire, “Quality Stainless Steel Pearl Tweezers—Cupped End Tweezers”, viewed on the internet on Jun. 4, 2014, <<https://www.artfire.com/>>.  
Integra Lifesciences Corporation, “SCHAAF Foreign Body Forceps”, viewed on the internet on Jun. 5, 2014, <<http://militex.com/>>.  
American Glass Roots, “Marble Tweezer”, found online Aug. 12, 2019 at [americanglassroots.com](http://americanglassroots.com). Page dated 2016; url: [https://americanglassroots.com/products/marble-tweezer?\\_pos=2&\\_sid=ae2496bd3&\\_ss=r&variant=27317173832](https://americanglassroots.com/products/marble-tweezer?_pos=2&_sid=ae2496bd3&_ss=r&variant=27317173832).

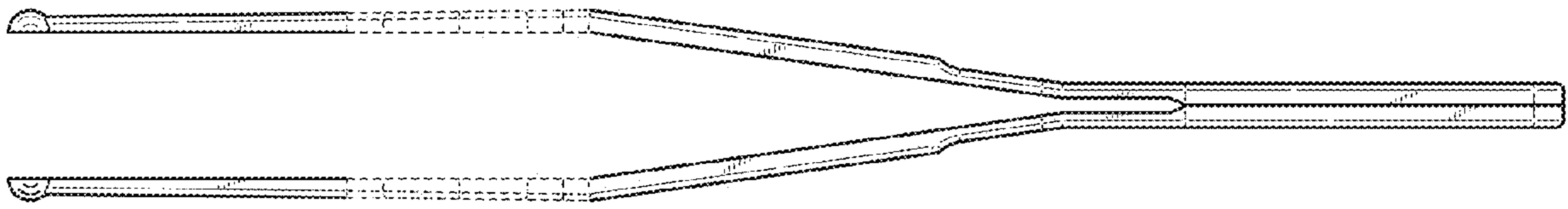
\* cited by examiner



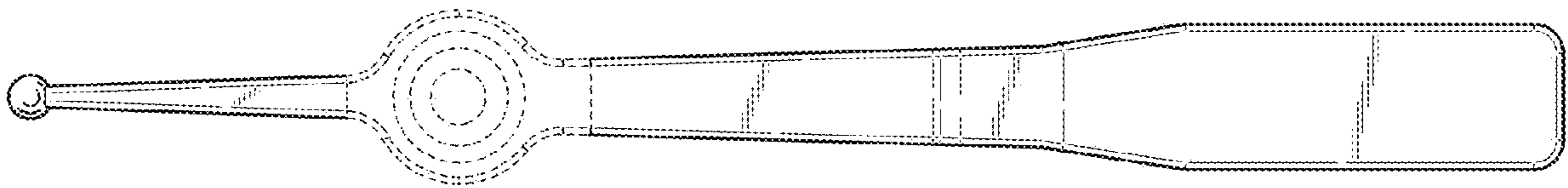
*FIG. 1*



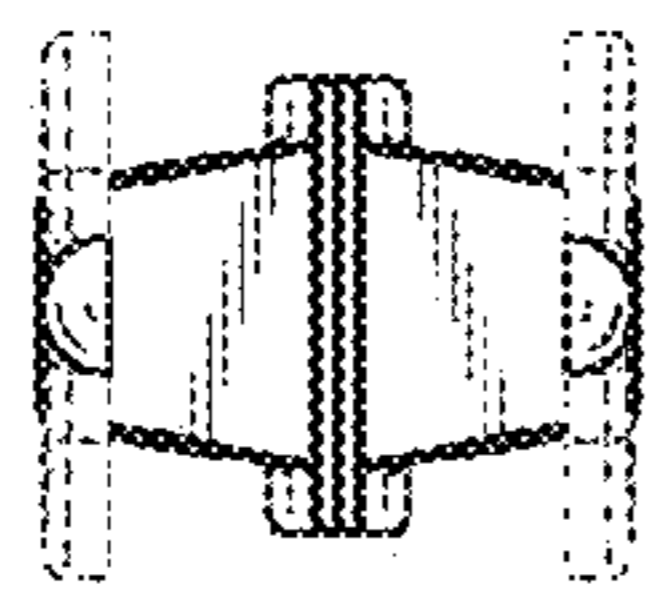
*FIG. 2*



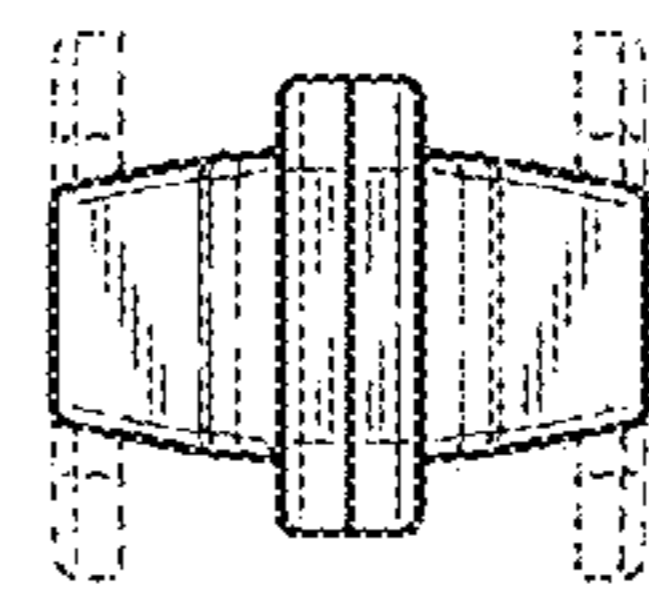
*FIG. 3*



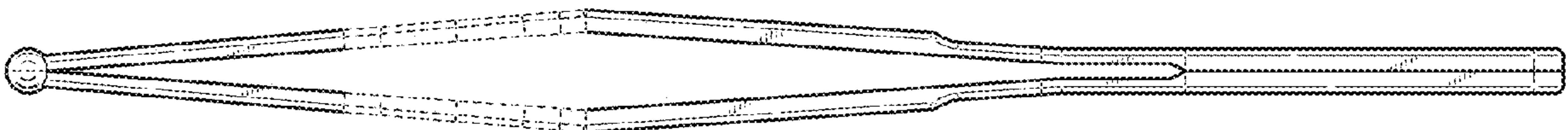
*FIG. 4*



*FIG. 5*



*FIG. 6*



*FIG. 7*