



US00D937482S

(12) **United States Design Patent** (10) **Patent No.:** **US D937,482 S**
Kim (45) **Date of Patent:** **** Nov. 30, 2021**

(54) **APPLICATOR**

(71) Applicant: **Kiss Nail Products, Inc.**, Port Washington, NY (US)

(72) Inventor: **Taehoon Kim**, Seoul (KR)

(73) Assignee: **Kiss Nail Products, Inc.**, Port Washington, NY (US)

(**) Term: **15 Years**

(21) Appl. No.: **29/710,630**

(22) Filed: **Oct. 24, 2019**

(51) **LOC (13) Cl.** **28-02**

(52) **U.S. Cl.**
USPC **D28/7; D28/55**

(58) **Field of Classification Search**
USPC D28/55, 7
CPC A61B 17/20; A61B 17/28; A61B 17/50;
A61B 17/29; A61B 17/30; A61B
2017/305; A45D 26/0066; A45D 2200/10;
A41G 5/02

See application file for complete search history.

(56) **References Cited**

U.S. PATENT DOCUMENTS

D301,371 S * 5/1989 Kaprelian D24/143
D506,573 S * 6/2005 de Grandcourt D28/55

D783,901 S * 4/2017 Kim D28/55
D814,107 S * 3/2018 Lotti D28/7
D819,891 S * 6/2018 Kenig D28/55
D840,104 S * 2/2019 Hussain D28/55
D850,715 S 6/2019 Lotti
D863,679 S * 10/2019 Lotti D28/7
D867,664 S * 11/2019 Lotti D28/55
D890,430 S * 7/2020 Lotti D28/55
2018/0242715 A1 * 8/2018 Lotti A45D 44/00
2020/0196694 A1 * 6/2020 Lotti B25B 9/02

* cited by examiner

Primary Examiner — Jennifer Rivard

(74) *Attorney, Agent, or Firm* — Cherskov Flaynik & Gurda, LLC

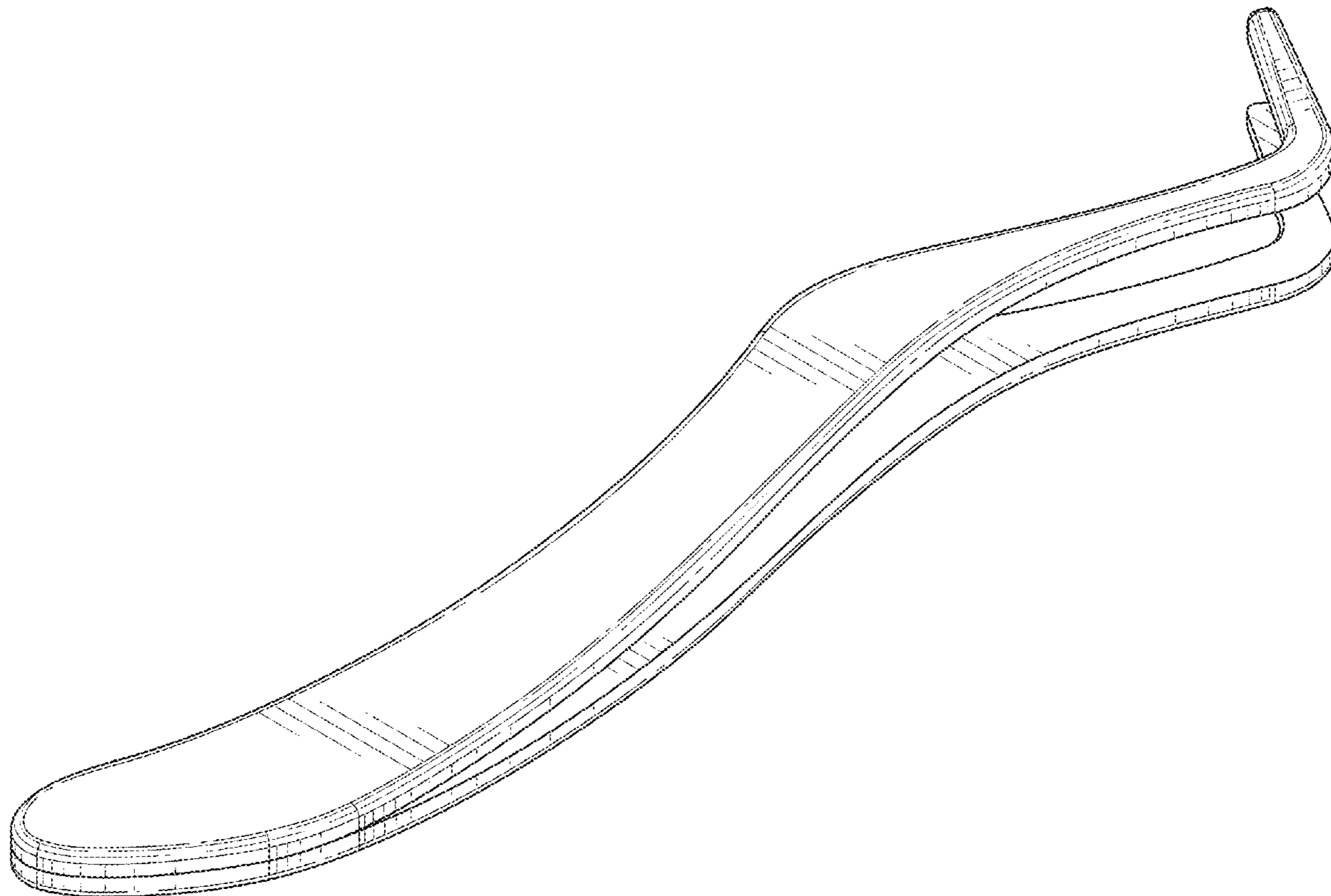
(57) **CLAIM**

I claim the ornamental design for an applicator, as shown and described.

DESCRIPTION

FIG. 1 is a perspective view of an applicator;
FIG. 2 is a left side view of an applicator;
FIG. 3 is a right side view thereof;
FIG. 4 is a back view thereof;
FIG. 5 is a front view thereof;
FIG. 6 is a top plan view thereof; and,
FIG. 7 is a bottom plan view thereof.

1 Claim, 4 Drawing Sheets



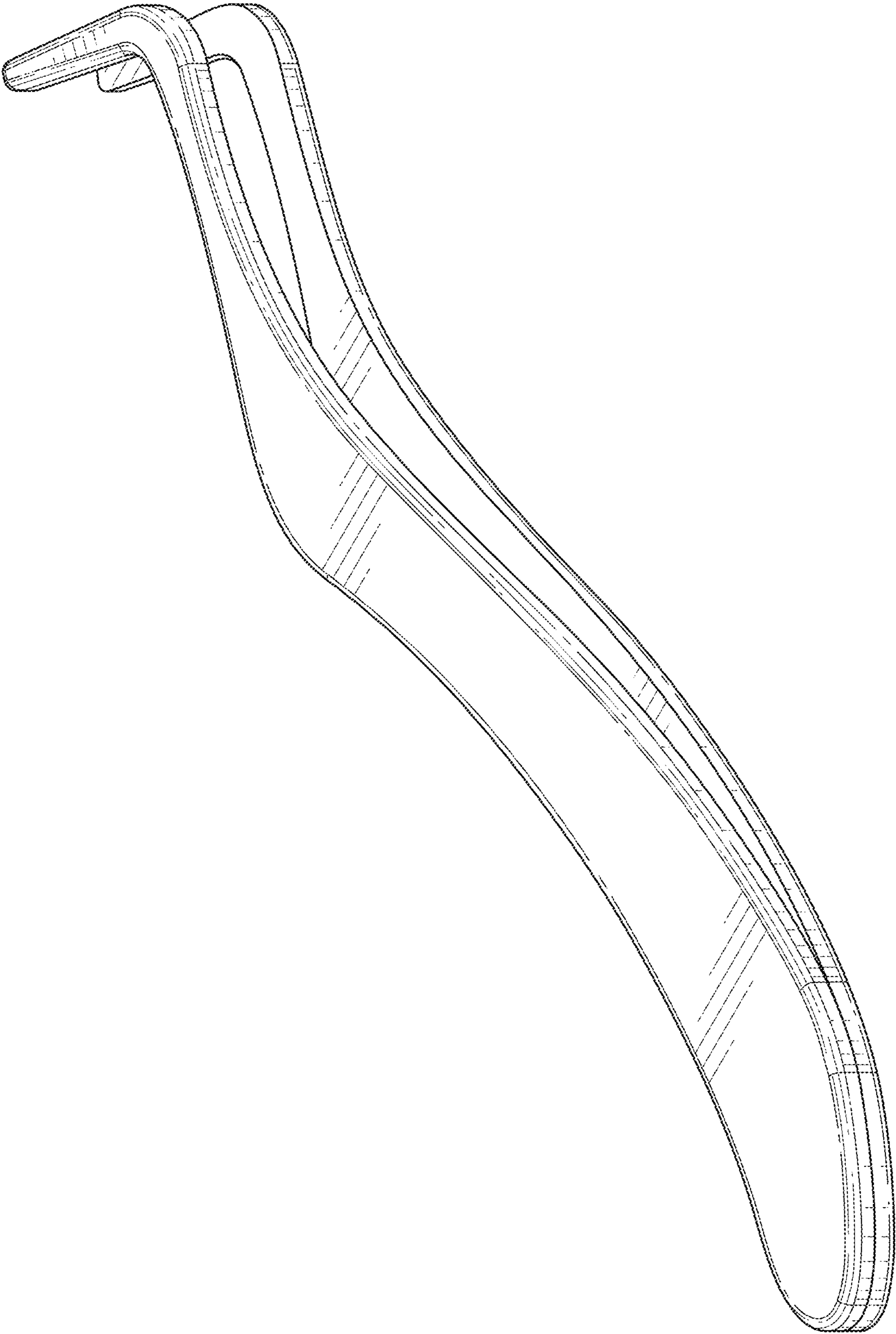


FIG. 1

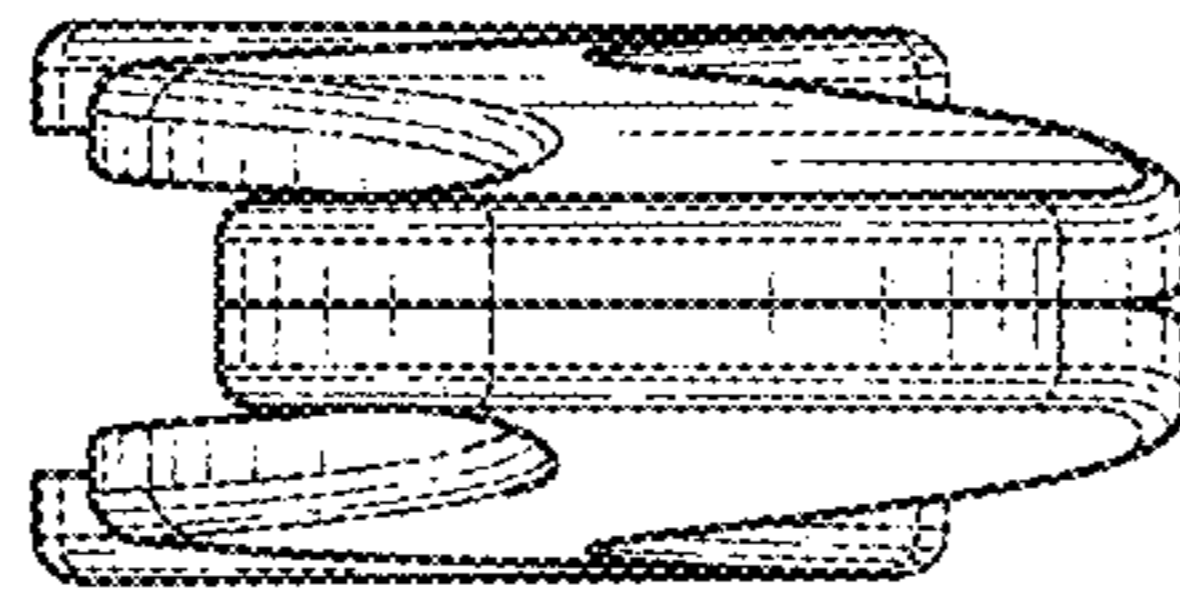


FIG. 2

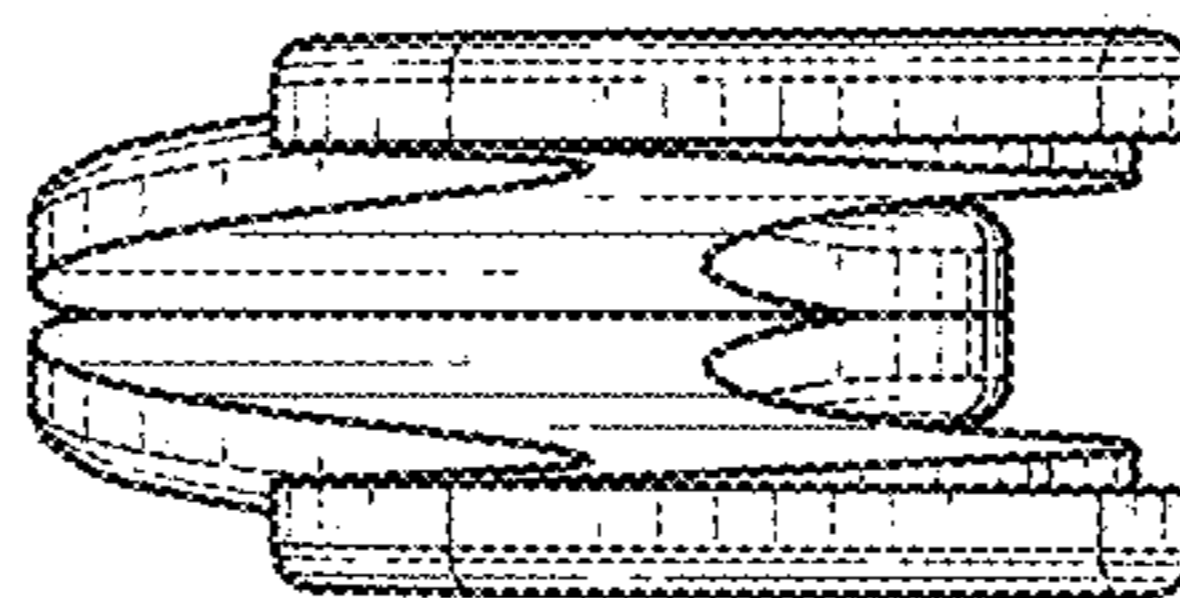


FIG. 3

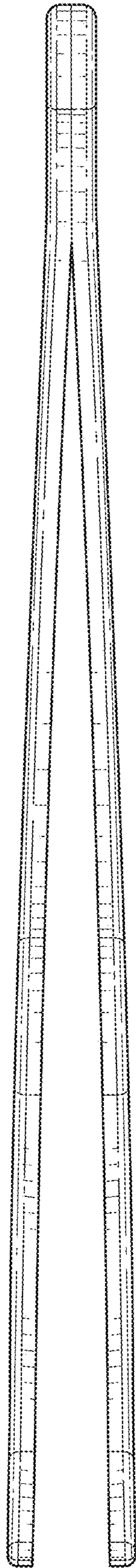


FIG. 4

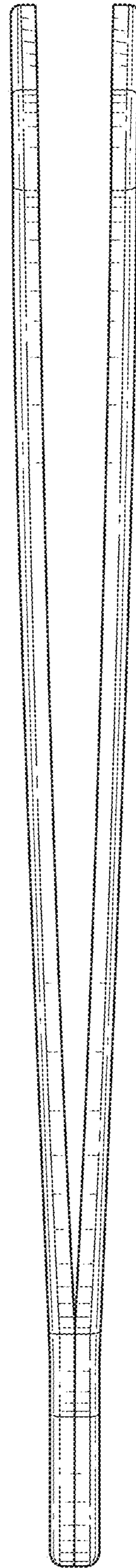


FIG. 5

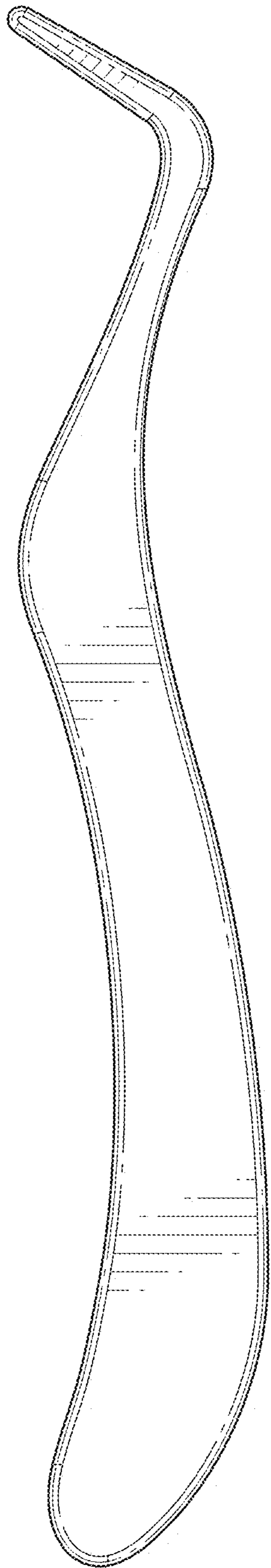


FIG. 6

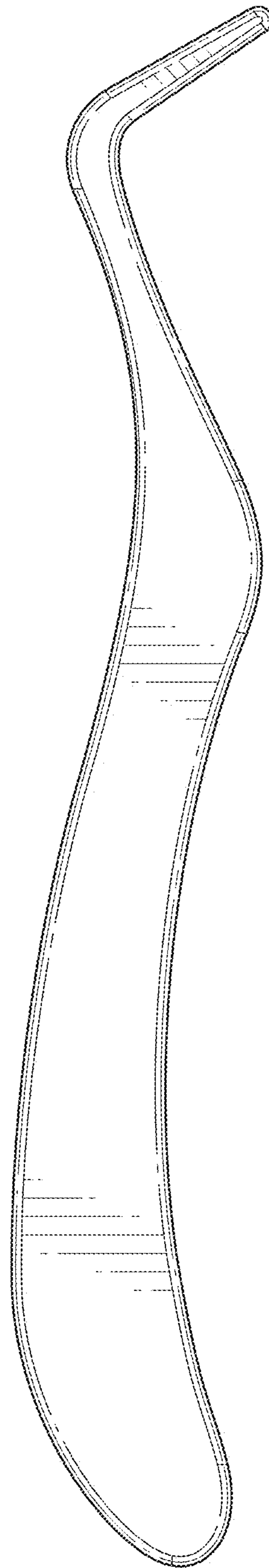


FIG. 7